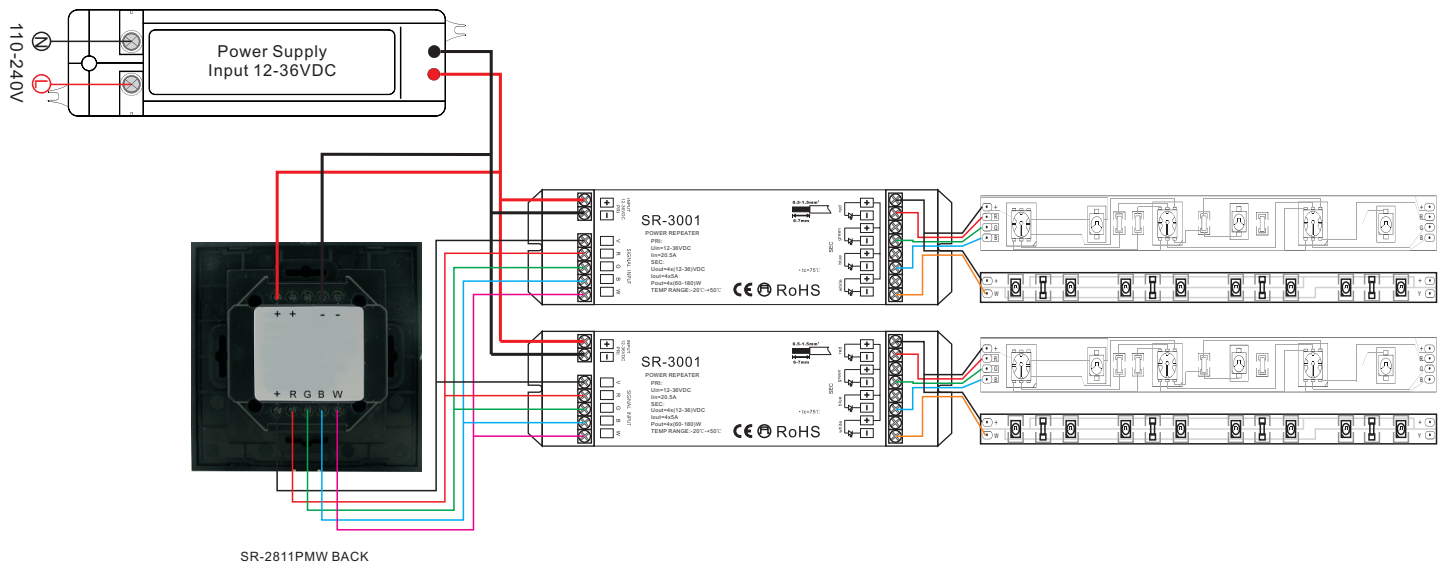
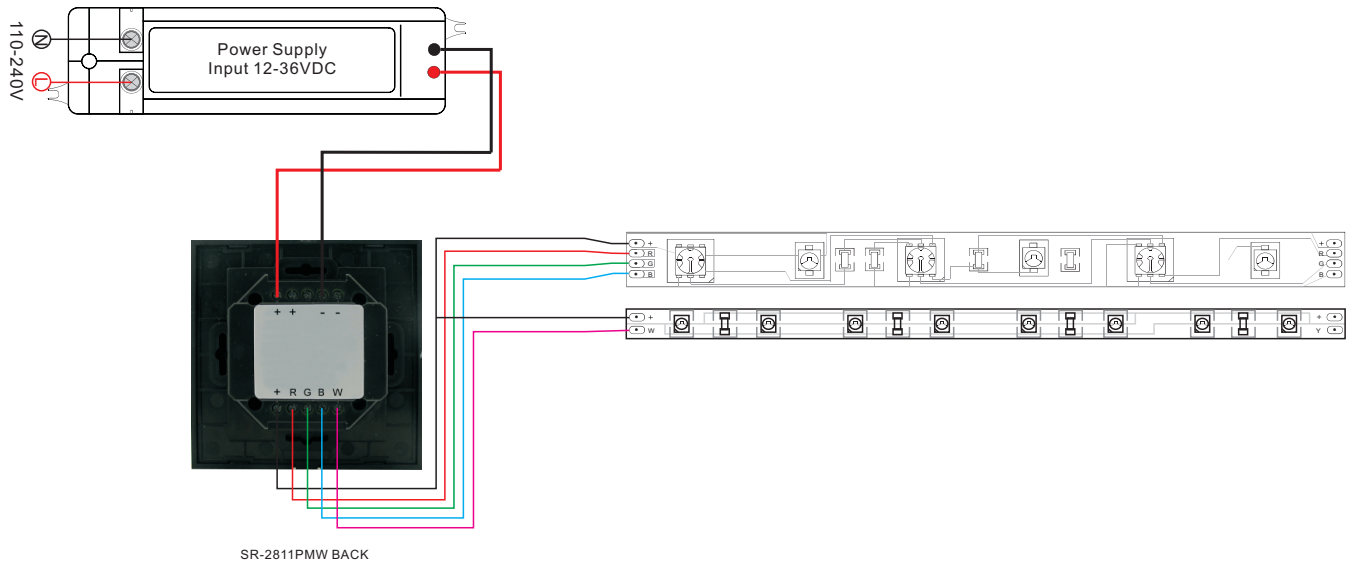




# 4.Wiring diagram



SR-2811PMW BACK



SR-2811PMW BACK