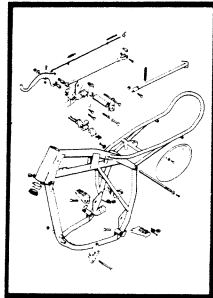


390 CR

RESERVDELAR SPARE PARTS 390 CR

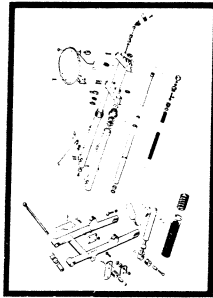
"1979"



4

Sida
Page

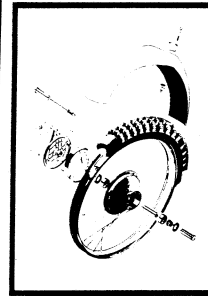
16



6



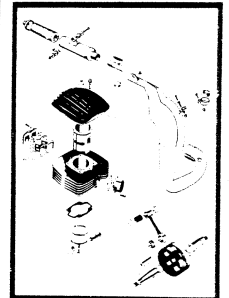
8



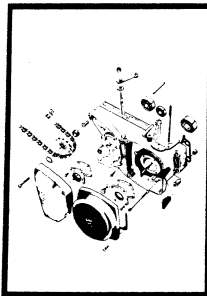
10



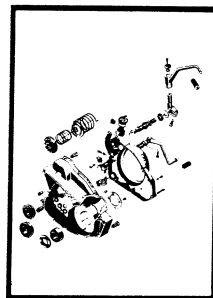
12



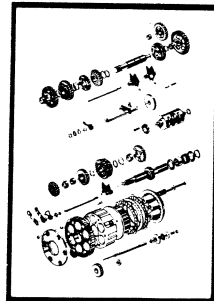
14



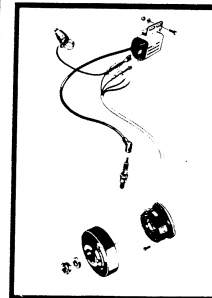
18



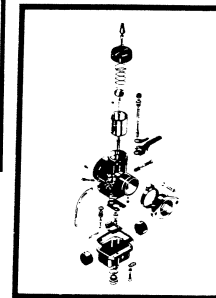
20



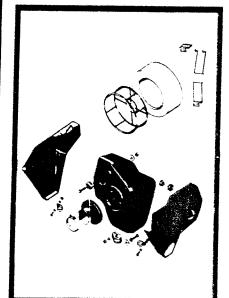
22



24



26



Gäller fr.o.m. ram nr
Valid from frame No MM-00001

Gäller fr.o.m. motor nr
Valid from engine No 2061—1300

Dimensioner och beteckningar
Dimensions and descriptions

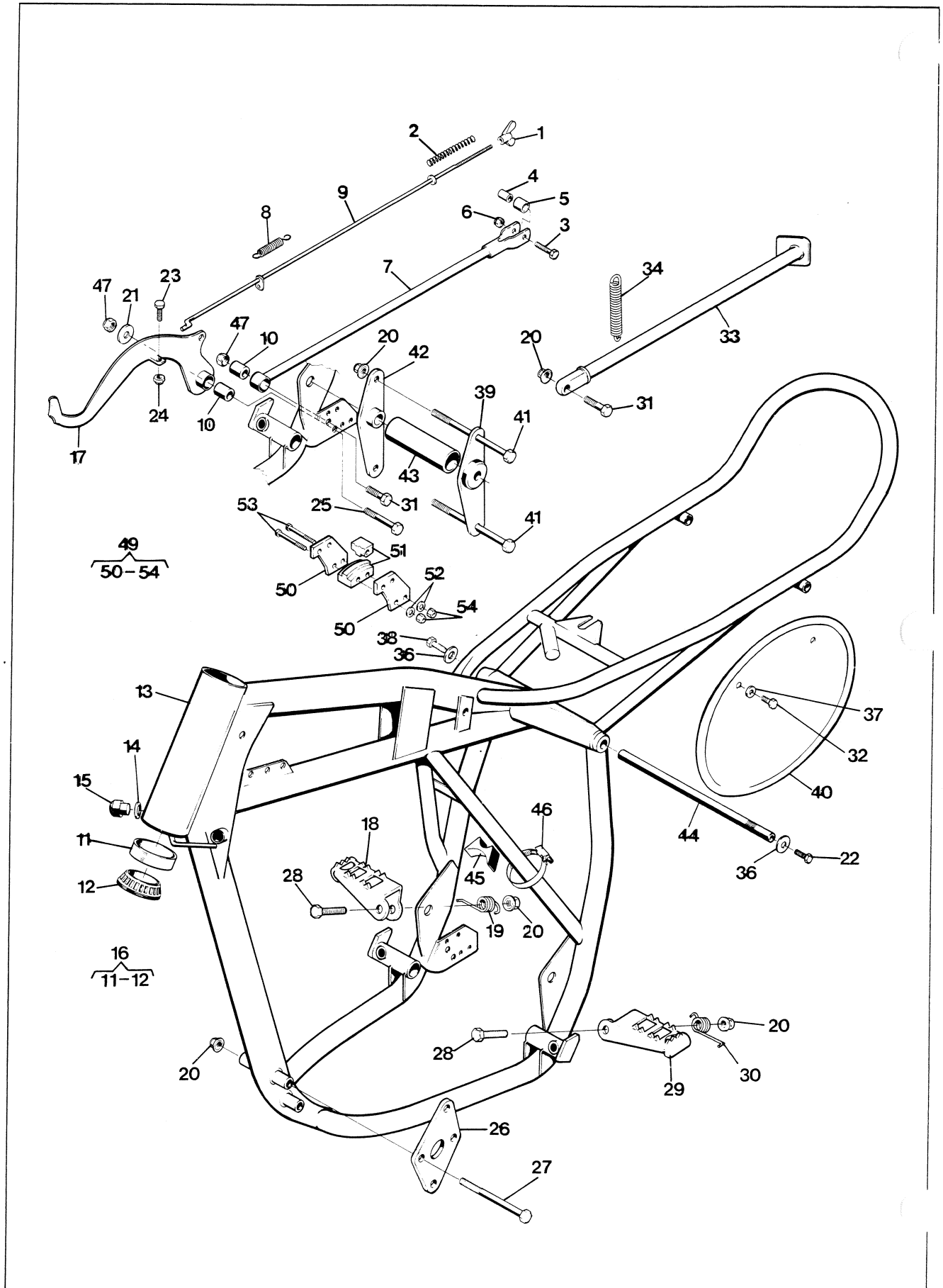
| | |
|------------------------------|------------------------------------------------------------------------------------------------------------------------------------------------------------------------------------------------------------------------------------------------------------------------------------------------------------------------------|
| Skrivar: Screws: | Gängdimension x längd (M6 x 30) Thread dimensions x length |
| Muttrar: Nuts: | Gängdimension (M8) Thread dimension |
| Brickor: Washers: | Typ, inre \varnothing x yttre \varnothing x tjocklek (FBB 6,4 x 10 x 1) Type, inner \varnothing x exterior \varnothing x thickness Typer: FBB = Fjäderbricka, öppen Types: Spring washer open FA = Fjäderbricka Spring washer LI = Låsbricka innertandad Lock washer, inside indent |
| Kullager: Ball bearings: | Fabrikantens beteckning (SKF 6301) Manufacturers description |
| Tätningar: Sealing rings: | Inre \varnothing x yttre \varnothing x tjocklek (25 x 42 x 7) Inner \varnothing x exterior \varnothing x thickness |

L = Längd
Length

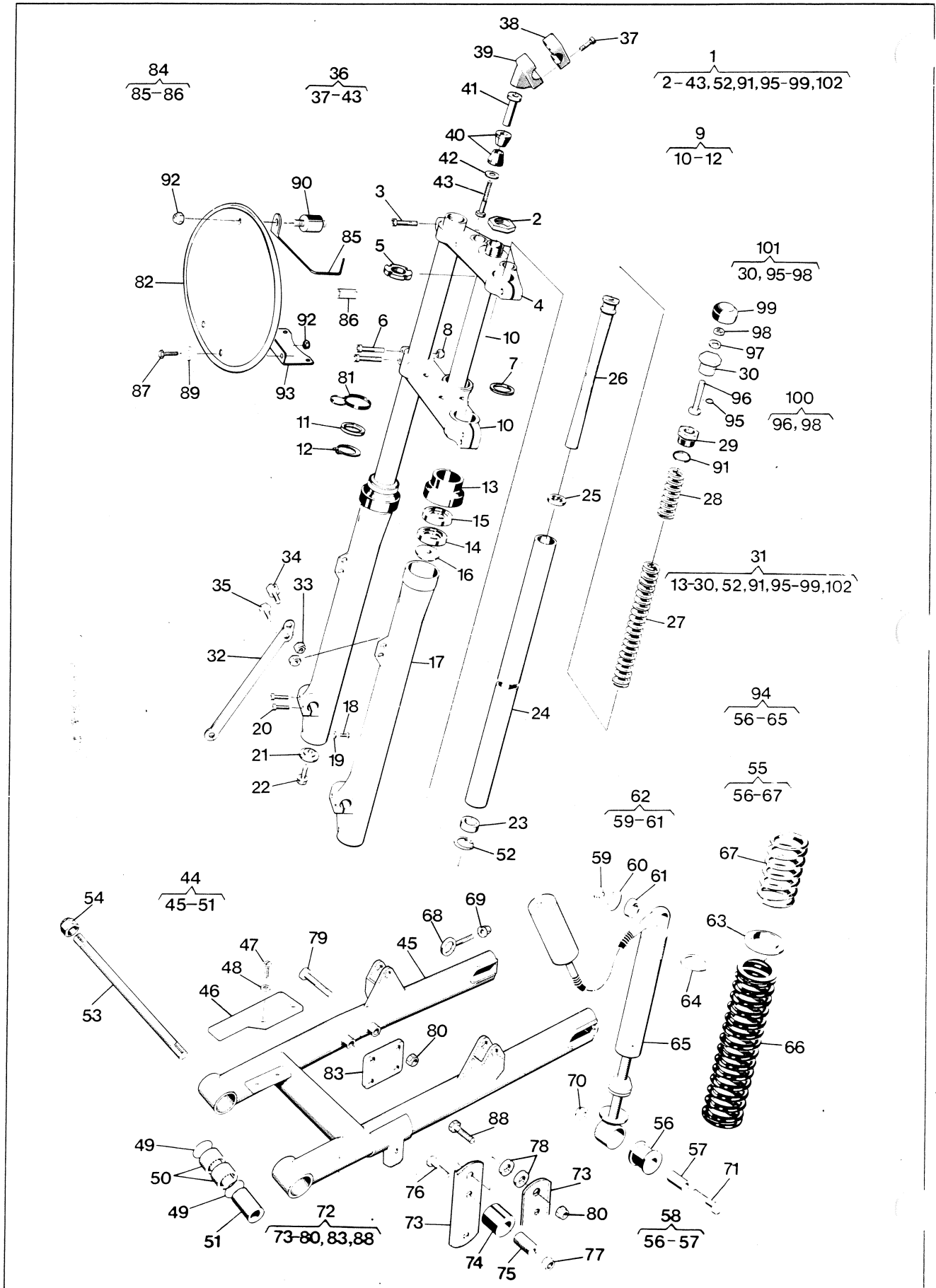
z = Antal kuggar
Number of cogs

N = Ny reservdel
New spare part

Ram - Fotbromsreglage - Fotstöd - Parkeringsstöd
Frame - Footbrake - Footrest - Parking rest



| Bild Fig. | Det. nr Part number | st. pcs. | Benämning Description | Bild Fig. | Det. nr Part number | st. pcs. | Benämning Description |
|--------------|------------------------|-------------|--------------------------------------------------------------|--------------|------------------------|-------------|-------------------------------------------------------------|
| | 1 15 15 173-01 | 1 | Vingmutter M6 Wing nut | 42 | 15 10 665-01 | 1 | Motorfästplåt, höger kpl Engine clamp plate, right compl |
| | 2 12 15 160-01 | 1 | Fjäder Spring | 43 | 15 10 559-01 | 1 | Distans Distance |
| | 3 20 06 374-12 | 1 | Skruv M6 x 30 Screw | N 44 | 15 10 787-01 | 1 | Fästbult Att. bolt |
| | 4 15 15 108-01 | 1 | Hylsa Sleeve | N 45 | 15 19 473-01 | 2 | Gummiskydd Rubber protec |
| | 5 15 15 107-01 | 1 | Bussning Bushing | 46 | 16 13 538-01 | 4 | Klammer Clamp |
| | 6 25 80 142-01 | 1 | Mutter M6 Nut | 47 | 25 80 153-01 | 2 | Mutter M8 Nut |
| N | 7 15 15 434-01 | 1 | Bromslänk Brake link | N 49 | 15 19 904-01 | 1 | Kedjespännare kpl Chain tensioner compl |
| | 8 15 19 864-01 | 1 | Fjäder Spring | N 50 | 15 10 757-01 | 2 | Sidoskydd Side protec |
| | 9 15 15 419-01 | 1 | Bromsstång Brake rod | 51 | 15 15 190-01 | 2 | Släpa Tension element |
| N | 10 15 15 431-01 | 3 | Bussning Bushing | 52 | 28 16 192-01 | 4 | Bricka 5,3 x 12 Washer |
| N | 13 15 10 740-01 | 1 | Ram Frame | N 53 | 20 24 340-55 | 4 | Skruv M5 x 45 Screw |
| | 14 28 01 634-11 | 2 | Bricka Washer | 54 | 25 80 132-01 | 4 | Mutter M5 Nut |
| | 15 15 10 555-01 | 2 | Buffert Buffer | | | | |
| | 16 15 13 070-01 | 2 | Styrlager Bearing | | | | |
| N | 17 15 15 433-01 | 1 | Bromspedal Brake pedal | | | | |
| | 18 15 13 051-01 | 1 | Fotstöd höger Footrest right | | | | |
| N | 19 15 13 076-01 | 1 | Fjäder höger Spring right | | | | |
| | 20 25 82 118-14 | 9 | Mutter M8 Nut | | | | |
| | 21 28-01 501-01 | 1 | Bricka 8,5 x 23 x 1,5 Washer | | | | |
| | 22 20 62 364-11 | 1 | Skruv M6 x 16 Screw | | | | |
| | 23 20 06 371-12 | 1 | Skruv M6 x 22 Screw | | | | |
| | 24 25 80 142-01 | 1 | Mutter M6 Nut | | | | |
| | 25 20 06 461-14 | 1 | Skruv M8 x 50 Screw | | | | |
| N | 26 15 10 783-01 | 2 | Motorfästplåt Engine clamp plate | | | | |
| | 27 20 06 472-14 | 4 | Skruv M8 x 105 Screw | | | | |
| | 28 20 06 462-12 | 2 | Skruv M8 x 55 Screw | | | | |
| | 29 15 13 053-01 | 1 | Fotstöd vänster Footrest left | | | | |
| N | 30 15 13 -077-01 | 1 | Fjäder vänster Spring left | | | | |
| | 31 20 06 455-11 | 2 | Skruv M8 x 30 Screw | | | | |
| | 32 20 06 364-12 | 3 | Skruv M6 x 10 Screw | | | | |
| | 33 15 10 604-01 | 1 | Parkeringsstöd Parking rest | | | | |
| | 34 15 10 442-01 | 1 | Fjäder Spring | | | | |
| | 36 28 01 416-01 | 3 | Bricka 6,5 x 22 Washer | | | | |
| | 37 28 16 211-01 | 4 | Bricka 6,4 x 14 Washer | | | | |
| | 38 20 623 64-11 | 1 | Skruv M6 x 10 Screw | | | | |
| | 39 15 10 702-01 | 1 | Motorfästplåt, vänster kpl Engine clamp plate, left compl | | | | |
| N | 40 15 19 461-01 | 2 | Nummerplåt gul Number plate yellow | | | | |
| | 41 20 06 476-14 | 2 | Skruv M8 x 125 Screw | | | | |

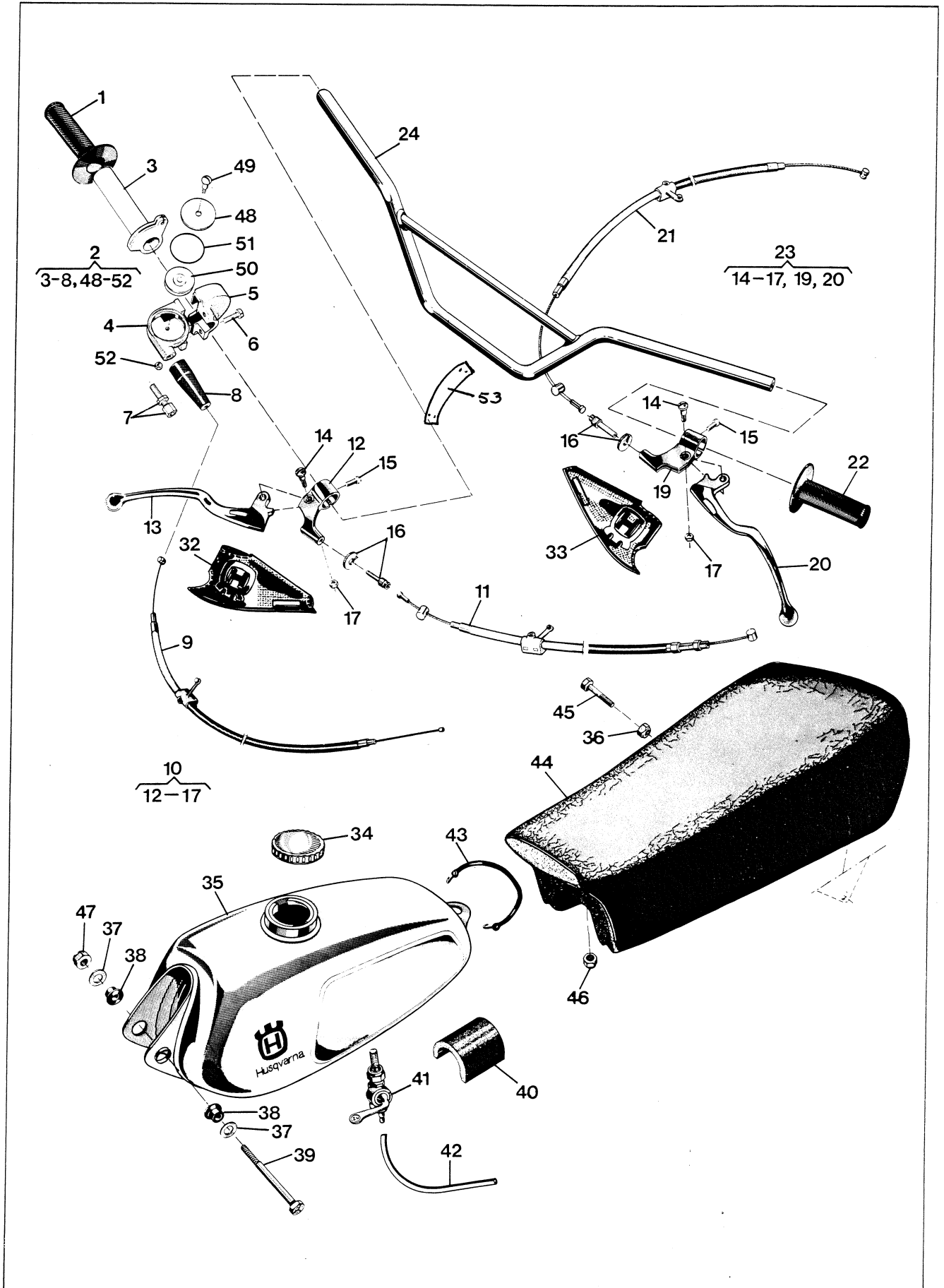


| Bild Fig. | Det. nr Part number | st. pcs. | Benämning Description |
|-----------|---------------------|----------|------------------------------------------|
| N 1 | 15 12 350-01 | 1 | Framgaffel kpl Front fork compl |
| 2 | 15 12 329-01 | 1 | Mutter Nut |
| 3 | 20 24 457-12 | 2 | Skruv M8 x 35 Screw |
| 4 | 15 12 326-01 | 1 | Gaffelkrona övre Fork crown upper |
| 5 | 15 12 327-01 | 1 | Mutter Nut |
| 6 | 20 24 460-12 | 4 | Skruv M8 x 45 Screw |
| 7 | 15 12 328-01 | 1 | Distansring Distance ring |
| 8 | 25 80 153-01 | 4 | Mutter M8 Nut |
| 9 | 15 12 322-01 | 1 | Gaffelkrona kpl Forkcrown compl |
| 11 | 15 12 325-01 | 1 | Bricka Washer |
| 12 | 28 20 025-01 | 1 | Spärring SgA 25 Circlip |
| 13 | 15 12 353-01 | 2 | Hållare Holder |
| 14 | 15 12 042-01 | 2 | Tätning Seal |
| 15 | 29 64 650-02 | 2 | Tätning 35 x 47 x 7 Seal |
| 16 | 15 12 160-01 | 2 | Bricka övre Washer upper |
| 17 | 15 12 302-01 | 2 | Gaffelben nedre Fork leg lower |
| 18 | 20 62 362-11 | 2 | Skruv M6 x 8 Screw |
| 19 | 16 10 823-01 | 2 | Packning Gasket |
| 20 | 20 24 372-12 | 4 | Skruv M6 x 25 Screw |
| 21 | 15 12 161-01 | 2 | Bricka undre Washer lower |
| 22 | 20 06 457-12 | 2 | Skruv M8 x 35 Screw |
| N 23 | 15 12 339-01 | 2 | Bottenventil Valve body |
| N 24 | 15 12 336-01 | 2 | Gaffelben övre Fork leg upper |
| 25 | 15 12 258-01 | 2 | Tätningbricka Washer |
| N 26 | 15 12 343-01 | 2 | Dämpspindel kpl Damping spindle compl |
| 27 | 15 12 307-01 | 2 | Fjäder lång Spring long |
| N 28 | 15 12 337-01 | 2 | Fjäder kort L = 153 Spring short |
| N 29 | 15 12 338-01 | 2 | Toppskruv Top screw |
| N 30 | 15 12 340-01 | 2 | Propp Plug |
| N 31 | 15 12 342-01 | 2 | Gaffelben kpl Fork leg compl |
| 32 | 15 16 744-01 | 1 | Bromsstag Brake rod |
| 33 | 25 80 153-01 | 2 | Mutter M8 Nut |
| 34 | 15 12 315-01 | 1 | Wirefäste Wire attachment |
| 35 | 20 06 451-12 | 1 | Skruv M8 x 20 Screw |
| 36 | 15 12 317-01 | 2 | Styrhållare kpl Handlebar ret compl |
| 37 | 20 24 374-12 | 8 | Skruv M6 x 30 Screw |
| N 40 | 15 12 351-01 | 4 | Dämpbussning Rubber element |
| N 41 | 15 12 352-01 | 2 | Distans Distance |
| 42 | 15 12 341-01 | 2 | Bricka 10,2 x 26 Washer |
| 43 | 20 06 503-14 | 2 | Skruv M10 x 60 Screw |
| N 44 | 15 10 788-01 | 1 | Bakgaffel kpl Rear fork compl |
| 46 | 15 10 668-01 | 1 | Slitskydd Wear cover |
| 47 | 20 62 366-11 | 2 | Skruv M6 x 12 Screw |
| 48 | 28 16 201-01 | 2 | Bricka 6,4 x 12 Washer |

| Bild Fig. | Det. nr Part number | st. pcs. | Benämning Description |
|-----------|---------------------|----------|------------------------------------------------------------|
| 49 | 29 71 200-03 | 4 | O-ring O-ring |
| 50 | 15 10 607-01 | 4 | Nållager Needle bearing |
| N 51 | 15 10 778-01 | 2 | Distans Distance |
| N 52 | 28 22 030-01 | 2 | Spärring SgH 30 Circlip |
| N 53 | 15 10 774-01 | 1 | Fästbult Att bolt |
| 54 | 25 81 170-12 | 2 | Mutter M12 x 1 Nut |
| N 55 | 15 10 804-01 | 2 | Stötdämpare kpl med fjädrar Suspension cpl with springs |
| 58 | 15 10 736-01 | 2 | Gummibussning Rubber bushing compl |
| N 62 | 15 10 816-01 | 2 | Kulled kpl Attachment compl |
| 63 | 15 10 710-01 | 2 | Plastbricka Plastic washer |
| 64 | 15 10 733-01 | 2 | Låsring Circlip |
| N 66 | 15 10 786-02 | 2 | Fjäder lång 27 N/mm (154 lb/inch) Spring long |
| N 67 | 15 10 794-01 | 2 | Fjäder kort 24 N/mm (137 lb/inch) Spring short |
| 68 | 15 10 730-01 | 2 | Kedjesträckare Chain tensioner |
| 69 | 25 81 118-14 | 2 | Mutter M8 Nut |
| 70 | 25 80 153-01 | 2 | Mutter M8 Nut |
| 71 | 20 06 459-14 | 2 | Skruv M8 x 40 Screw |
| N 72 | 15 15 438-01 | 1 | Kedjestyrare kpl Chain guide compl |
| 74 | 15 15 412-01 | 2 | Rulle Roller |
| 75 | 15 15 413-01 | 2 | Distanshylsa Distance sleeve |
| 76 | 20 06 376-12 | 2 | Skruv M6 x 35 Screw |
| 77 | 25 80 142-01 | 2 | Mutter M6 Nut |
| N 78 | 15 15 440-01 | 2 | Distans Distance |
| 79 | 20 06 466-01 | 2 | Skruv M8 x 75 Screw |
| 80 | 25 80 153-01 | 3 | Mutter M8 Nut |
| 81 | 15 19 360-01 | 1 | Wire guide Wire guide |
| N 82 | 15 19 461-01 | 1 | Nummerplåt gul Number plate yellow |
| 83 | 15 15 441-01 | 1 | Fästplåt Clamp plate |
| 84 | 15 19 439-01 | 1 | Wire guide Wire guide |
| 87 | 20 06 368-12 | 2 | Skruv M6 x 16 Screw |
| 88 | 20 06 457-12 | 2 | Skruv M8 x 35 Screw |
| 89 | 28 16 211-01 | 2 | Bricka 6,4 x 14 Washer |
| 90 | 15 17 090-01 | 1 | Vibrationsdämpare Vibrationdamper |
| N 91 | 29 70 165-03 | 2 | O-ring O-ring |
| 92 | 25 80 142-01 | 3 | Mutter M6 Nut |
| 93 | 15 19 408-01 | 1 | Fäste Attachment |
| 94 | 15 10 805-01 | 2 | Stötdämpare kpl Suspension compl |
| N 95 | 29 70 385-03 | 2 | O-ring O-ring |
| N 97 | 29 95 288-01 | 2 | Bricka 8,1 x 12,5 Washer |
| N 99 | 15 12 348-01 | 2 | Ventilskydd Valve cover |
| N 100 | 15 12 347-01 | 2 | Ventil kpl Valve compl |
| N 101 | 15 12 346-01 | 2 | Propp kpl Plug compl |

EXTRA TILLBEHÖR EXTRA ACCESSORIES

| | | |
|------|--------------|--------------------------------------------------|
| N 66 | 15 10 786-03 | Fjäder lång 30 N/mm (170 lb/inch) Spring long |
| 67 | 15 10 794-02 | Spring kort (160 lb/inch) |

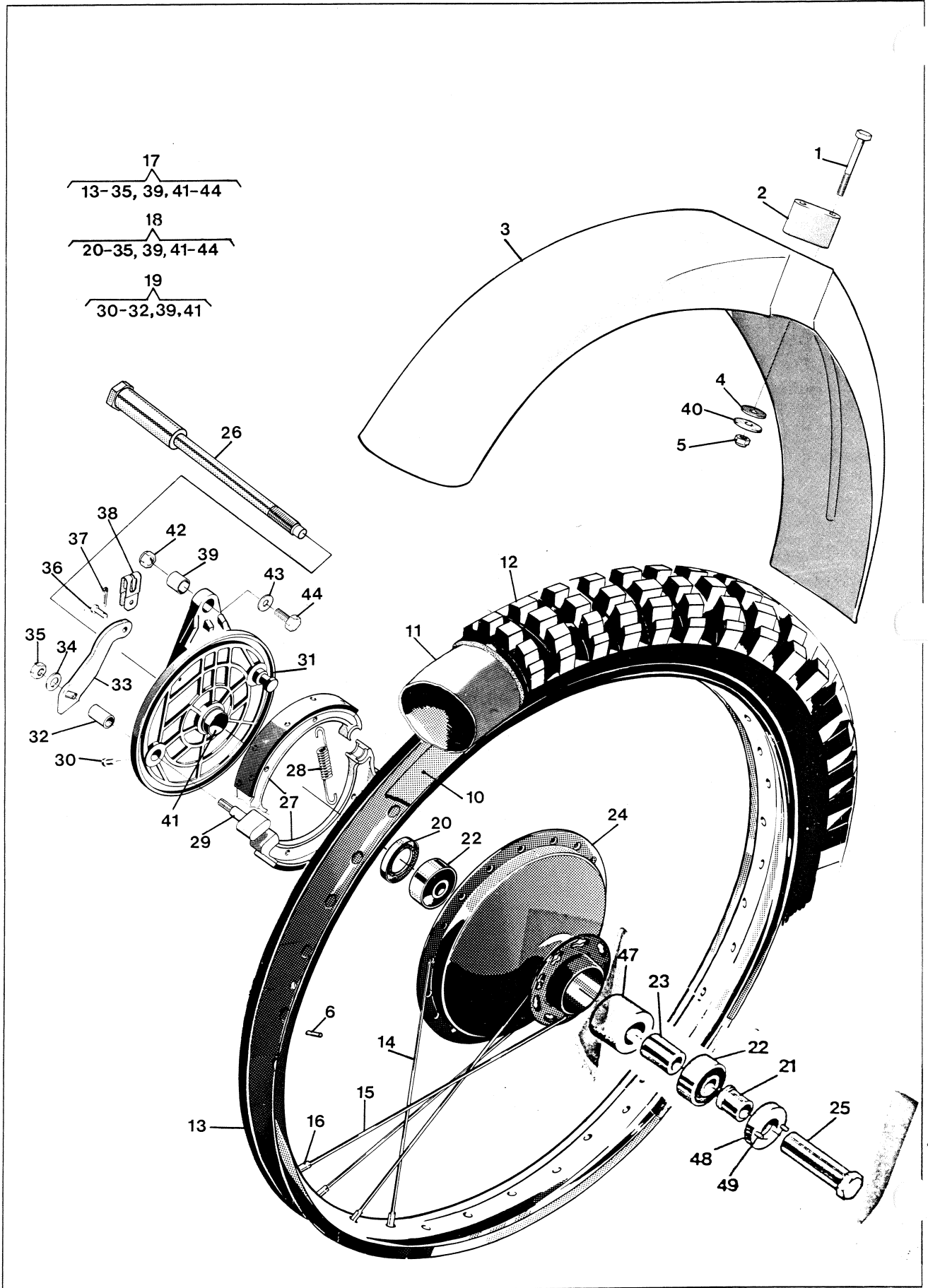


| Bild Fig. | Det. nr Part number | st. pcs. | Benämning Description |
|------------------------------------------|-----------------------------|----------|------------------------------------------------------------|
| N 1 | 15 12 350-01 | 1 | Framgaffel kpl Front fork compl |
| 2 | 15 12 329-01 | 1 | Mutter Nut |
| 3 | 20 24 457-12 | 2 | Skruv M8 x 35 Screw |
| 4 | 15 12 326-01 | 1 | Gaffelkrona övre Fork crown upper |
| 5 | 15 12 327-01 | 1 | Mutter Nut |
| 6 | 20 24 460-12 | 4 | Skruv M8 x 45 Screw |
| 7 | 15 12 328-01 | 1 | Distansring Distance ring |
| 8 | 25 80 153-01 | 4 | Mutter M8 Nut |
| 9 | 15 12 322-01 | 1 | Gaffelkrona kpl Forkcrown compl |
| 11 | 15 12 325-01 | 1 | Bricka Washer |
| 12 | 28 20 025-01 | 1 | Spårring SgA 25 Circlip |
| 13 | 15 12 353 353-01 | 2 | Hållare Holder |
| 14 | 15 12 042-01 | 2 | Tätning Seal |
| 15 | 29 64 650-02 | 2 | Tätning 35 x 47 x 7 Seal |
| 16 | 15 12 160-01 | 2 | Bricka övre Washer upper |
| 17 | 15 12 302-01 | 2 | Gaffelben nedre Fork leg lower |
| 18 | 20 62 362-11 | 2 | Skruv M6 x 8 Screw |
| 19 | 16 10 823-01 | 2 | Packning Gasket |
| 20 | 20 24 372-12 | 4 | Skruv M6 x 25 Screw |
| 21 | 15 12 161-01 | 2 | Bricka undre Washer lower |
| 22 | 20 06 457-12 | 2 | Skruv M8 x 35 Screw |
| N 23 | 15 12 339-01 | 2 | Bottenventil Valve body |
| N 24 | 15 12 336-01 | 2 | Gaffelben övre Fork leg upper |
| 25 | 15 12 258-01 | 2 | Tätningbricka Washer |
| N 26 | 15 12 343-01 | 2 | Dämpspindel kpl Damping spindle compl |
| 27 | 15 12 307-01 | 2 | Fjäder lång Spring long |
| N 28 | 15 12 337-01 | 2 | Fjäder kort L = 153 Spring short |
| N 29 | 15 12 338-01 | 2 | Toppskruv Top screw |
| N 30 | 15 12 340-01 | 2 | Propp Plug |
| N 31 | 15 12 342-01 | 2 | Gaffelben kpl Fork leg compl |
| 32 | 15 16 744-01 | 1 | Bromsstag Brake rod |
| 33 | 25 80 153-01 | 2 | Mutter M8 Nut |
| 34 | 15 12 315-01 | 1 | Wirefäste Wire attachment |
| 35 | 20 06 451-12 | 1 | Skruv M8 x 20 Screw |
| 36 | 15 12 317-01 | 2 | Styrhållare kpl Handlebar ret compl |
| 37 | 20 24 374-12 | 8 | Skruv M6 x 30 Screw |
| N 40 | 15 12 351-01 | 4 | Dämpbusning Rubber element |
| N 41 | 15 12 352-01 | 2 | Distans Distance |
| 42 | 15 12 341-01 | 2 | Bricka 10,2 x 26 Washer |
| 43 | 20 06 503-14 | 2 | Skruv M10 x 60 Screw |
| N 44 | 15 10 788-01 | 1 | Bakgaffel kpl Rear fork compl |
| 46 | 15 10 668-01 | 1 | Slitskydd Wear cover |
| 47 | 20 62 366-11 | 2 | Skruv M6 x 12 Screw |
| 48 | 28 16 201-01 | 2 | Bricka 6,4 x 12 Washer |
| 49 | 29 71 200-03 | 4 | O-ring O-ring |
| 50 | 15 10 607-01 | 4 | Nållager Needle bearing |
| N 51 | 15 10 778-01 | 2 | Distans Distance |
| N 52 | 28 22 030-01 | 2 | Spårring SgH 30 Circlip |
| N 53 | 15 10 774-01 | 1 | Fästbult Att bolt |
| 54 | 25 81 170-12 | 2 | Mutter M12 x 1 Nut |
| N 55 | 15 10 804-01 | 2 | Stötdämpare kpl med fjädrar Suspension cpl with springs |
| 58 | 15 10 736-01 | 2 | Gummibussning Rubber bushing compl |
| N 62 | 15 10 816-01 | 2 | Kullad kpl Attachment compl |
| 63 | 15 10 710-01 | 2 | Plastbricka Plastic washer |
| 64 | 15 10 733-01 | 2 | Låsring Circlip |
| N 66 | 15 10 786-02 | 2 | Fjäder lång 27 N/mm (154 lb/inch) Spring long |
| N 67 | 15 10 794-01 | 2 | Fjäder kort 24 N/mm (137 lb/inch) Spring short |
| 68 | 15 10 730-01 | 2 | Kedjesträckare Chain tensioner |
| 69 | 25 24 118-14 | 2 | Mutter M8 Nut |
| 70 | 25 80 153-01 | 2 | Mutter M8 Nut |
| 71 | 20 06 459-14 | 2 | Skruv M8 x 40 Screw |
| N 72 | 15 15 438-01 | 1 | Kedjestyrare kpl Chain guide compl |
| 74 | 15 15 412-01 | 2 | Rulle Roller |
| 75 | 15 15 413-01 | 2 | Distanshylsa Distance sleeve |
| 76 | 20 06 376-12 | 2 | Skruv M6 x 35 Screw |
| 77 | 25 80 142-01 | 2 | Mutter M6 Nut |
| N 78 | 15 15 440-01 | 2 | Distans Distance |
| 79 | 20 06 466-01 | 2 | Skruv M8 x 75 Screw |
| 80 | 25 80 153-01 | 3 | Mutter M8 Nut |
| 81 | 15 19 360-01 | 1 | Wire guide Wire guide |
| N 82 | 15 19 461-01 | 1 | Nummerplåt gul Number plate yellow |
| 83 | 15 15 441-01 | 1 | Fästplåt Clamp plate |
| 84 | 15 19 439-01 | 1 | Wire guide Wire guide |
| 87 | 20 06 368-12 | 2 | Skruv M6 x 16 Screw |
| 88 | 20 06 457-12 | 2 | Skruv M8 x 35 Screw |
| 89 | 28 16 211-01 | 2 | Bricka 6,4 x 14 Washer |
| 90 | 15 17 090-01 | 1 | Vibrationsdämpare Vibrationdamper |
| N 91 | 29 70 165-03 | 2 | O-ring O-ring |
| 92 | 25 80 142-01 | 3 | Mutter M6 Nut |
| 93 | 15 19 408-01 | 1 | Fäste Attachment |
| 94 | 15 10 805-01 | 2 | Stötdämpare kpl Suspension compl |
| N 95 | 29 70 385-03 | 2 | O-ring O-ring |
| N 97 | 29 95 288-01 | 2 | Bricka 8,1 x 12,5 Washer |
| N 99 | 15 12 348-01 | 2 | Ventilskydd Valve cover |
| N 100 | 15 12 347-01 | 2 | Ventil kpl Valve compl |
| N 101 | 15 12 346-01 | 2 | Propp kpl Plug compl |
| EXTRA TILLBEHÖR EXTRA ACCESSORIES | | | |
| N 66 | 15 10 786-03 | | Fjäder lång 30 N/mm (170 lb/inch) Spring long |
| 67 | 15 10 794-02 | | Spring kort (160 lb/inch) |

| Bild Fig. | Det. nr Part number | st. pcs. | Benämning Description |
|-----------|---------------------|----------|--------------------------------------------------|
| 1 | 15 15 266-01 | 1 | Gummihandtag höger Rubber handle right |
| 2 | 15 15 278-01 | 1 | Gashandtag kpl Throttle handle compl |
| 6 | 20 62 329-12 | 2 | Skruv M5 x 16 Screw |
| 7 | 15 15 261-01 | 1 | Justernippel Nipple |
| 8 | 15 15 262-01 | 1 | Skyddshylsa Protecting sleeve |
| 9 | 15 15 277-01 | 1 | Gaswire Throttle wire |
| 10 | 15 15 310-01 | 1 | Bromshandtag kpl Brake handle compl |
| 11 | 15 15 022-01 | 1 | Bromswire Brake wire |
| 14 | 12 13 810-01 | 2 | Ansatsskruv Screw |
| 15 | 22 86 595-01 | 2 | Skruv Screw |
| 16 | 12 13 821-01 | 2 | Kabelspännskruv Cable adjusting screw |
| 17 | 25 09 316-11 | 2 | Mutter M6 Nut |
| 21 | 15 15 308-02 | 1 | Frikopplingswire Declutching wire |
| 22 | 15 15 265-01 | 1 | Gummihandtag vänster Rubber handle left |
| 23 | 15 15 314-01 | 1 | Kopplingshandtag kpl Declutching handle compl |
| 24 | 15 13 073-01 | 1 | Styrstång Handle bar |
| 32 | 15 13 055-01 | 1 | Handtagsskydd höger Handle protector right |
| 33 | 15 13 056-01 | 1 | Handtagsskydd vänster Handle protector left |
| 34 | 15 14 008-02 | 1 | Tanklock Tank cap |
| 35 | 15 14 055-06 | 1 | Bränsletank svart Fuel tank black |
| 36 | 25 82 116-14 | 1 | Mutter M6 Nut |
| 37 | 28 16 211-01 | 2 | Bricka 6,4 x 14 Washer |
| 38 | 15 14 032-01 | 2 | Gummibussning Rubber bushing |
| 39 | 20 24 388-14 | 1 | Skruv M6 x 90 Screw |
| 40 | 15 14 041-01 | 1 | Stöd Support |
| 41 | 15 14 056-01 | 1 | Bränslekran Fuel cock |
| 42 | 15 14 057-10 | - | Bränsleslang/m 6 x 10 Fuel hose |
| 43 | 15 19 362-01 | 1 | Tankhållare Tankholder |
| 44 | 15 13 533-01 | 1 | Sadel Saddle |
| 45 | 20 06 379-11 | 1 | Skruv M6 x 45 Screw |
| 46 | 25 82 118-14 | 1 | Mutter M8 Nut |
| 47 | 25 80 142-01 | 1 | Mutter M6 Nut |
| 48 | 15 15 281-01 | 1 | Skyddslock Protex washer |
| 49 | 15 15 282-01 | 1 | Skruv Screw |
| 50 | 15 15 283-01 | 1 | Brytrulle Plastic roller |
| 51 | 15 15 287-01 | 1 | Packning Gasket |
| 52 | 25 80 118-01 | 1 | Mutter M4 Nut |
| 53 | 15 19 236-01 | 1 | PLASTIC CABLE GUARD |

| Bild Fig. | Det. nr Part number | st. pcs. | Benämning Description |
|-----------|---------------------|----------|-----------------------|
| | | | |

Framhjul Front wheel

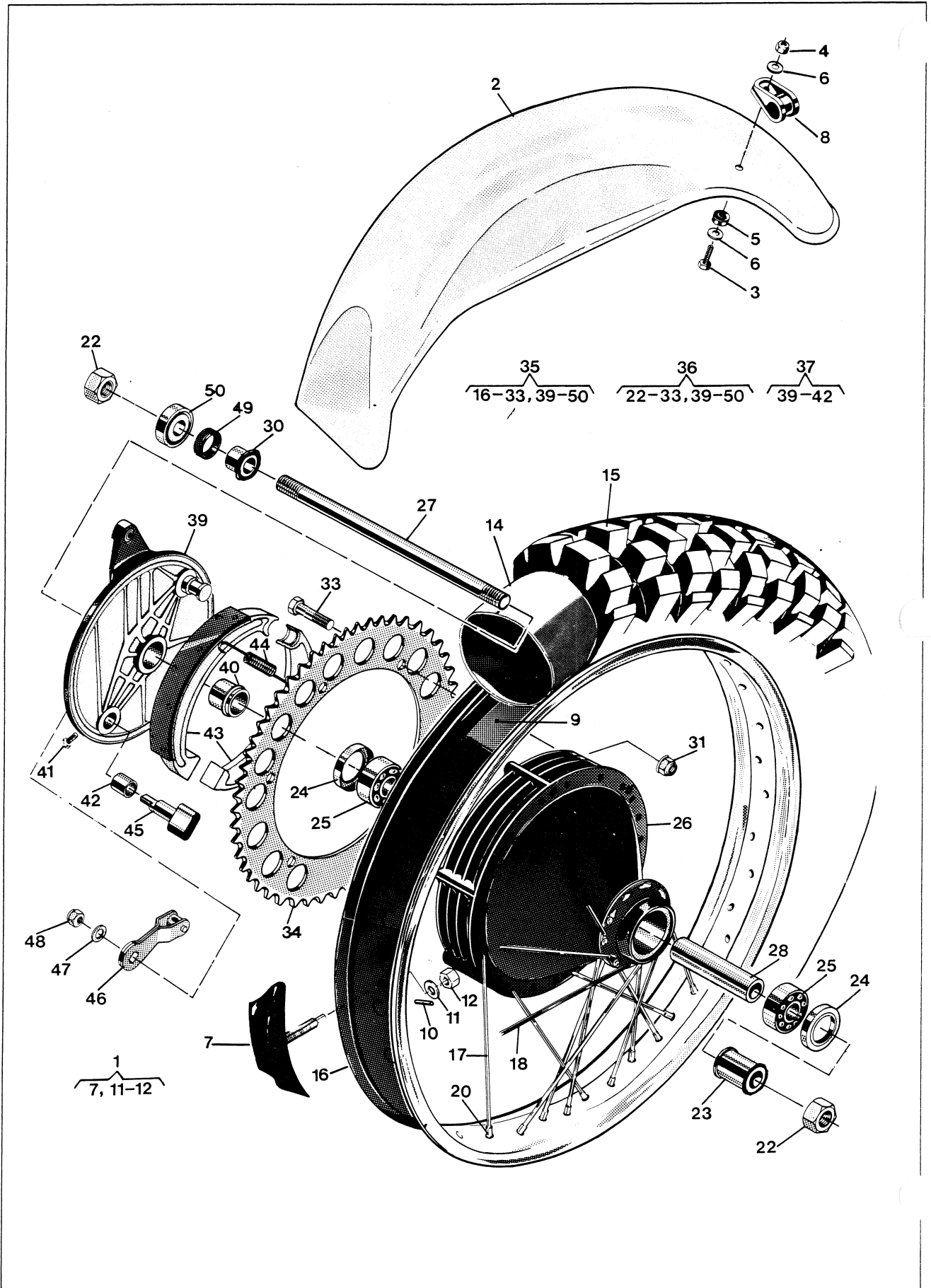


| Bild Fig. | Det. nr Part number | st. pcs. | Benämning Description |
|-----------|---------------------|----------|----------------------------------------------------------|
| 1 | 20 06 383-12 | 4 | Skruv M6 × 65 Screw |
| 2 | 15 18 028-01 | 2 | Stöd Support |
| 3 | 15 18 041-02 | 1 | Framskärm Front mudguard |
| 4 | 15 18 121-01 | 4 | Gummibricka Rubber washer |
| 5 | 25 80 142-01 | 4 | Mutter M6 Nut |
| 6 | 28 24 215-08 | 18 | Cyl pinne 3 × 8 mm Cyl pin |
| 10 | 15 16 029-01 | 1 | Fälgband 21" Rim band |
| 11 | 15 16 028-01 | 1 | Innerslang 3,00 × 21" Inner tube |
| N 12 | 15 16 217-01 | 1 | Däck 3,50 × 21" Tyre |
| 13 | 15 16 200-01 | 1 | Fälg WM1, 21" Rim |
| 14 | 15 16 049-05 | 18 | Eker L= 227 mm Spoke |
| 15 | 15 16 049-06 | 18 | Eker L= 244 mm Spoke |
| 16 | 15 16 202-01 | 36 | Nippel M4 Nipple |
| 17 | 15 16 198-01 | 1 | Framhjul kpl exkl gummi Front wheel compl excl rubber |
| 18 | 15 16 210-01 | 1 | Framnav kpl Front hub compl |
| 19 | 15 16 743-01 | 1 | Bromssköld kpl Brake plate compl |
| 20 | 29 65 448-07 | 1 | Tätning 25 × 42 × 7 Seal |
| 21 | 15 16 212-01 | 1 | Distansring Distance ring |
| 22 | 29 31 200-38 | 2 | Kullager SKF 6302 RS Ball bearing |
| 23 | 15 16 214-01 | 1 | Distanshylsa Distance sleeve |
| 25 | 15 16 084-01 | 1 | Axelmutter Nut |
| 26 | 15 16 082-01 | 1 | Axel Shaft |
| 27 | 15 16 543-01 | 2 | Bromsback Brake shoe |
| 28 | 15 16 547-01 | 2 | Returfjäder Return spring |
| 29 | 15 16 548-01 | 1 | Excenter Brake cam |
| 30 | 20 62 360-11 | 1 | Skruv M6 × 6 Screw |
| 32 | 15 16 667-01 | 1 | Bussning Bushing |
| 33 | 15 16 747-01 | 1 | Hävarm Lever |
| 34 | 28 16 241-01 | 1 | Bricka 8,4 × 18 × 1,5 Washer |
| 35 | 25 80 153-01 | 1 | Mutter M8 Nut |
| 36 | 12 25 258-01 | 1 | Bult Bolt |
| 37 | 28 35 217-01 | 1 | Saxpinne 2 × 12 Split pin |
| 38 | 15 16 194-01 | 1 | Bygel Strop |
| 39 | 15 16 746-01 | 1 | Bussning Sleeve |
| 40 | 28 01 416-01 | 4 | Bricka 6,5 × 22 × 1,5 Washer |
| 41 | 15 16 745-01 | 1 | Hylsa Sleeve |
| 42 | 25 80 153-01 | 1 | Mutter M8 Nut |
| 43 | 28 16 231-01 | 1 | Bricka 8,4 × 16 Washer |

| Bild Fig. | Det. nr Part number | st. pcs. | Benämning Description |
|-----------|---------------------|----------|------------------------|
| 44 | 20 06 455-12 | 1 | Skruv M8 × 30 Screw |
| 47 | 15 16 217-01 | 1 | DIST. HOLDER |
| 48 | 15 16 214-01 | 1 | DRIVE WASHER |
| 49 | 28 80 330-02 | 2 | PIN |

TILLBEHÖR ACCESSORIES

| Det. nr Part number | Benämning Description |
|---------------------|----------------------------------------------------------------------------|
| 15 16 087-01 | Ekersats fram Spoke unit front |
| 15 19 867-01 | Ekernippelsats 36 st Spoke nipple kit 36 |
| 15 19 886-01 | Däcklås sats Cyl pinne 3 × 8, 40 st Tyre lock kit Cyl pin 3 × 8, 40 pcs |
| 15 19 087-01 | Däckjärn Tyre bar |

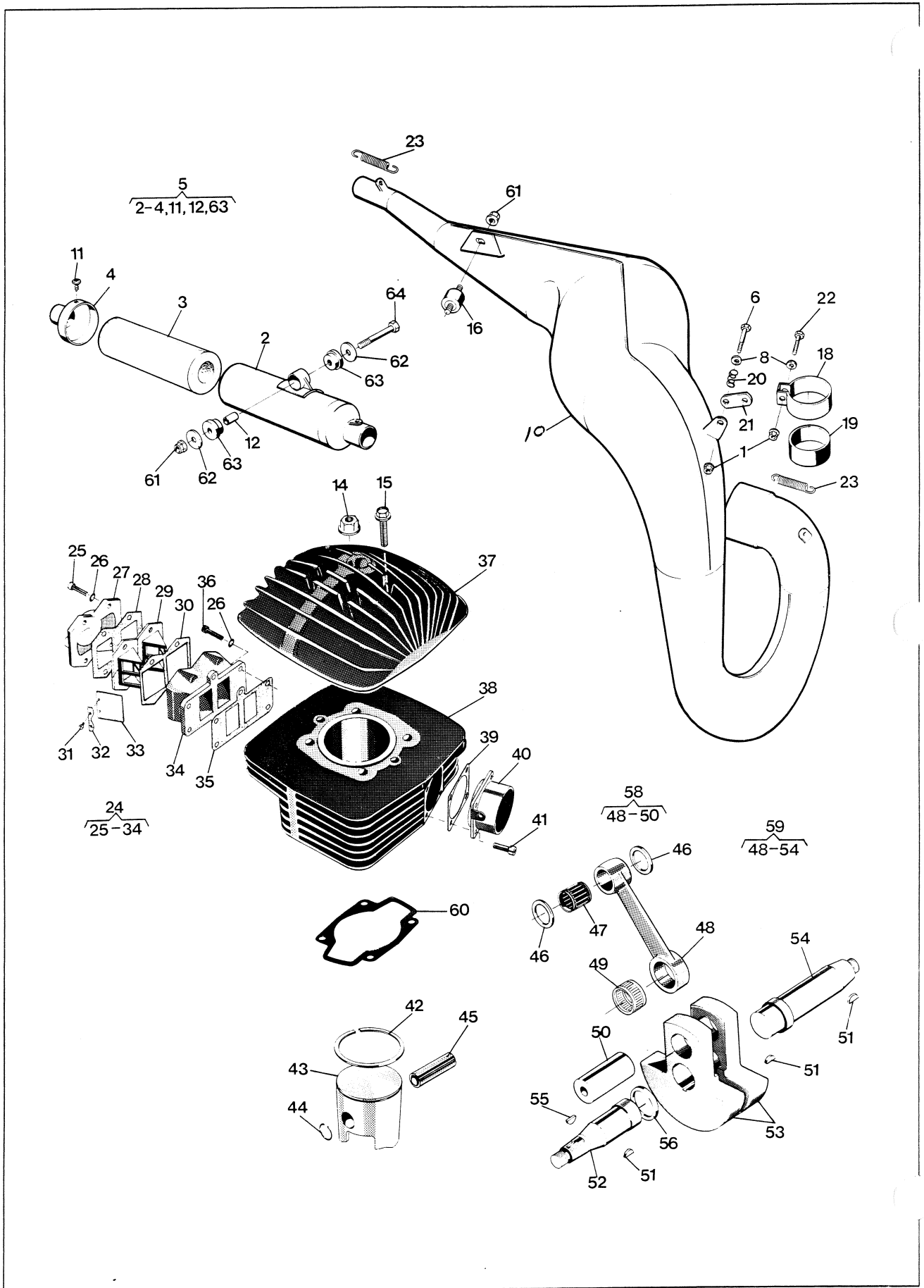


| Bild Fig. | Det. nr Part number | st. pcs. | Benämning Description |
|-----------|---------------------|----------|-----------------------------------------------------|
| N 1 | 15 16 772-01 | 1 | Däcklås kpl Tyre lock |
| 2 | 15 18 145-01 | 1 | Bakskärm Rear mudguard |
| 3 | 20 06 372-11 | 4 | Skruv M6 x 25 Screw |
| 4 | 25 80 142-01 | 4 | Mutter M6 Nut |
| 5 | 15 18 121-01 | 4 | Gummiricka Rubber washer |
| 6 | 28 16 211-01 | 8 | Bricka 6,4 x 14 x 1,5 Washer |
| 8 | 15 18 137-01 | 4 | Fäste Attachment |
| 9 | 15 16 761-01 | 1 | Fälgband Rim band |
| 10 | 28 24 215-08 | 18 | Cyl pinne 3 x 8 Cyl pin |
| 14 | 15 16 508-01 | 1 | Innerslang 4,00 x 18" Inner tube |
| 15 | 15 16 759-01 | 1 | Däck 5,0 x 17" Tyre |
| 16 | 15 16 748-01 | 1 | Fälg 2,50 x 17" Rim |
| 17 | 15 16 049-20 | 18 | Eker L= 182 Spoke |
| 18 | 15 16 049-19 | 18 | Eker L= 197 Spoke |
| 20 | 15 16 202-01 | 36 | Ekernippel Spoke nipple |
| 22 | 15 16 598-01 | 2 | Mutter Nut |
| 23 | 15 16 753-01 | 1 | Distanshylsa Distance sleeve |
| 24 | 29 65 448-07 | 2 | Tätning 25 x 42 x 7 Seal |
| 25 | 29 31 200-38 | 2 | Kullager SKF 6302 Rs Ball bearing |
| 26 | 15 16 751-01 | 1 | Navhylsa Hub sleeve |
| 27 | 15 16 728-01 | 1 | Axel Shaft |
| 28 | 15 16 752-01 | 1 | Distanshylsa Distance sleeve |
| 30 | 15 16 725-01 | 1 | Lagerhylsa Bearing sleeve |
| 31 | 25 82 116-14 | 6 | Mutter M6 Nut |
| 33 | 20 06 455-12 | 6 | Skruv M 8 x 30 Screw |
| 34 | 15 16 755-01 | 1 | Kedjekrans z= 53 Sprocket |
| 35 | 15 19 884-01 | 1 | Bakhjul kpl exkl gummi Rear wheel compl excl rubber |
| 36 | 15 19 883-01 | 1 | Nav kpl utan kedjedrev Hub compl |
| 37 | 15 16 665-01 | 1 | Bromsköld kpl Brake plate compl |
| 40 | 15 16 605-01 | 1 | Bussning Sleeve |
| 41 | 20 62 360-11 | 1 | Skruv M6 x 6 Screw |
| 42 | 15 16 667-01 | 1 | Bussning Bushing |
| 43 | 15 16 543-01 | 2 | Bromsback Brake shoe |
| 44 | 15 16 547-01 | 2 | Fjäder Spring |
| 45 | 15 16 548-01 | 1 | Bromsexcenter Brake cam |
| 46 | 15 16 723-01 | 1 | Hävarm Lever |
| 47 | 28 16 241-01 | 1 | Bricka 8,4 x 18 x 1,5 Washer |
| 48 | 25 80 153-01 | 1 | Mutter M8 Nut |

| Bild Fig. | Det. nr Part number | st. pcs. | Benämning Description |
|-----------|---------------------|----------|---------------------------|
| 49 | 12 16 549-01 | 1 | Tätning Seal |
| 50 | 15 16 611-01 | 1 | Tätningshållare Seal case |

TILLBEHÖR ACCESSORIES

| Det. nr Part number | Benämning Description |
|---------------------|-------------------------------------------------------------------------|
| 15 19 885-01 | Ekerats Spoke unit |
| 15 19 867-01 | Nippelsats 36 st Nipple kit 36 pcs |
| 15 19 886-01 | Däcklås sats Cyl pinne 3 x 8, 40 st Tyre lock kit Cyl pin 3 x 8, 40 pcs |

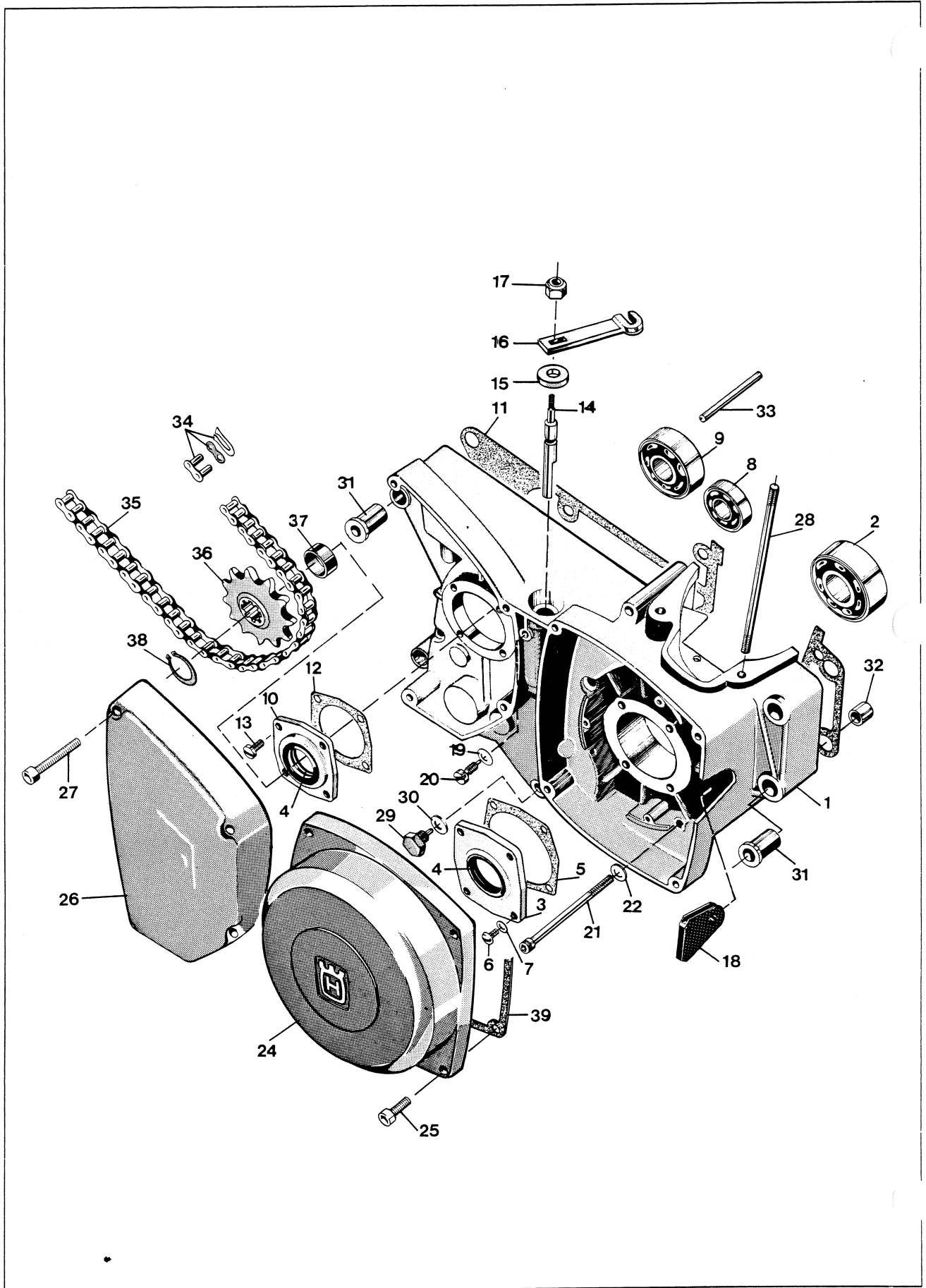


| Bild Fig. | Det. nr Part number | st. pcs. | Benämning Description |
|-----------|---------------------|----------|------------------------------------|
| | 1 25 82 116-14 | 2 | Mutter M6 Nut |
| N | 3 15 14 916-02 | 1 | Absorbent Absorber |
| N | 4 15 14 254-01 | 1 | Gavel Cover |
| N | 5 15 14 213-01 | 1 | Ljuddämpare kpl Silencer compl |
| | 6 20 06 376-12 | 1 | Skruv M6 x 35 Screw |
| | 8 28 16 211-01 | 2 | Bricka 6,4 x 16 Washer |
| N | 10 15 14 209-01 | 1 | Avgasrör kpl Exhaust pipe compl |
| N | 11 23 40 400-12 | 3 | Skruv RXK—B10 x 8 Screw |
| | 12 15 14 663-01 | 1 | Hylsa Sleeve |
| | 14 25 46 120-14 | 4 | Mutter M10 Nut |
| | 15 20 18 459-12 | 2 | Skruv M8 x 40 Screw |
| | 16 15 14 590-01 | 1 | Vibrationsdämpare Vibration damper |
| N | 18 15 14 624-01 | 1 | Klamma Clamp |
| | 19 15 14 641-01 | 1 | Gummiskydd Rubber protector |
| | 20 15 14 038-01 | 1 | Fjäder Spring |
| | 21 15 14 893-01 | 1 | Länk Link |
| | 22 20 06 372-11 | 1 | Skruv M6 x 25 Screw |
| | 23 15 19 864-01 | 4 | Fjäder Spring |
| | 24 16 10 374-01 | 1 | Ventilhus kpl Valvehousing compl. |
| | 25 20 24 374-55 | 4 | Skruv M6 x 30 Screw |
| | 26 28 88 180-01 | 9 | Bricka 6,4 x 11 Washer |
| | 27 16 11 742-01 | 1 | Anslutningsrör Connection tube |
| | 28 16 10 396-01 | 1 | Packning Gasket |
| | 29 16 10 357-01 | 2 | Ventilhållare Valve holder |
| | 30 16 10 362-01 | 1 | Packning Gasket |
| | 31 22 96 285-11 | 8 | Skruv M4 x 6 Screw |
| | 32 16 10 377-01 | 4 | Ventilstöd Valve support |
| | 33 16 10 359-01 | 4 | Ventil Valve |
| | 34 16 11 569-01 | 1 | Ventilhus Valve housing |
| | 35 16 10 361-01 | 1 | Packning Gasket |
| | 36 20 24 371-12 | 1 | Skruv M6 x 22 Screw |
| | 37 16 11 596-01 | 1 | Cylinderlock Cylinder head |
| | 38 16 11 590-01 | 1 | Cylinder kpl Cylinder compl |
| | 39 16 10 894-01 | 1 | Packning Gasket |
| | 40 16 10 891-01 | 1 | Avgasstos Exhaust manifold |
| | 41 20 24 370-12 | 4 | Skruv M6 x 20 Screw |
| | 42 16 10 878-04 | 1 | Kolring (cyl C) Piston ring |
| | 42 16 10 878-05 | - | Kolring (cyl Ø) Piston ring |

| Bild Fig. | Det. nr Part number | st. pcs. | Benämning Description |
|-----------|---------------------|----------|-----------------------------------------|
| | 42 16 10 878-06 | - | Kolring (cyl Ø) Piston ring |
| | 44 16 11 738-01 | 2 | Låsring Circlip |
| | 46 16 10 992-01 | 2 | Distansring Distance ring |
| | 47 16 10 933-01 | 1 | Nållager Needle bearing |
| | 49 16 10 926-01 | 1 | Nållager Needle bearing |
| | 51 29 00 560-01 | 2 | Woodruffkil 3 x 16 Woodruff key |
| | 52 16 10 868-01 | 1 | Vevaxel höger Crank shaft right |
| | 54 16 11 543-01 | 1 | Vevaxel vänster Crank shaft left |
| | 55 29 01 265-01 | 1 | Woodruffkil Woodruff key |
| | 56 16 10 921-01 | 1 | Distansring Distance ring |
| | 57 16 11 408-04 | 1 | Kolv kpl (cyl Ø 82.92) Piston compl |
| | 57 16 11 408-05 | - | Kolv kpl (cyl Ø 83.92) Piston compl |
| | 57 16 11 408-06 | - | Kolv kpl (cyl Ø 83.93) Piston compl |
| | 58 16 10 642-01 | - | Vevstaksrenov sts Overhaul kit conn rod |
| | 59 16 11 599-01 | 1 | Vevaxel kpl Crankshaft compl |
| | 60 16 11 597-01 | 1 | Packning Gasket |
| | 61 25 82 118-14 | 1 | Mutter M8 Nut |
| | 62 15 14 661-01 | 2 | Bricka Washer |
| | 63 15 14 662-01 | 2 | Gummihylsa Rubber sleeve |
| N | 64 20 06 464-12 | 1 | Skruv M8 x 65 Screw |

TILLBEHÖR ACCESSORIES

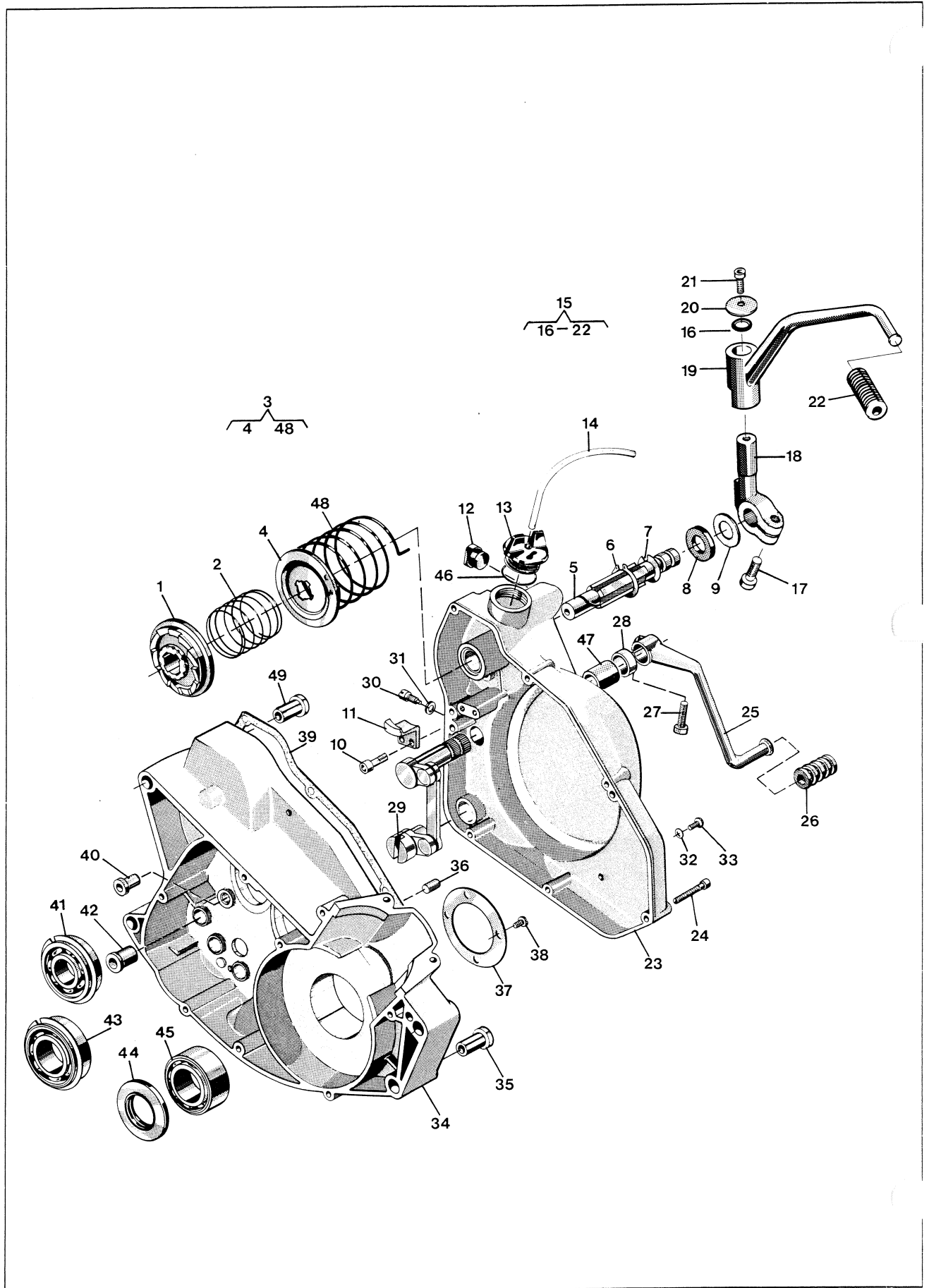
| Det. nr Part number | Benämning Description |
|---------------------|--------------------------------------------------|
| 15 19 830-01 | Renoveringssats, flaps Overhaul kit, reed-valves |
| 15 19 249-01 | Dorn för kolv Drift for piston |
| 15 19 847-01 | Krok för fjädrar Hook for springs |



| Bild Fig. | Det. nr Part number | st. pcs. | Benämning Description |
|-----------|---------------------|----------|-----------------------------------------|
| 1 | 16 11 606-01 | 1 | Vevhushalvor par Crankcase halves, pair |
| 2 | 29 32 524-21 | 1 | Kullager SKF 3205/C3 Ball bearing |
| 3 | 16 10 810-01 | 1 | Fläns Flange |
| 4 | 29 65 444-01 | 2 | Tätning 25 x 35 x 6 Seal |
| 5 | 12 25 358-01 | 1 | Packning Gasket |
| 6 | 20 62 328-12 | 4 | Skruv M5 x 14 Screw |
| 7 | 28 88 170-01 | 4 | Bricka FA 5,3 x 10 x 0,5 Washer |
| 8 | 29 31 180-04 | 1 | Kullager SKF 6301/C3 Ball bearing |
| 9 | 29 31 240-04 | 1 | Kullager SKF 6204/C3 Ball bearing |
| 10 | 16 10 938-01 | 1 | Fläns Flange |
| 11 | 16 11 581-01 | 1 | Packning Gasket |
| 12 | 12 25 360-01 | 1 | Packning Gasket |
| 13 | 21 21 328-52 | 4 | Skruv M5 x 14 Screw |
| 14 | 16 10 774-01 | 1 | Frikopplingsaxel Declutching shaft |
| 15 | 29 65 175-01 | 1 | Tätning 10 x 22 x 7 Seal |
| 16 | 16 11 171-01 | 1 | Hävarm Lever |
| 17 | 25 80 153-01 | 1 | Mutter M8 Nut |
| 18 | 16 14 728-01 | 1 | Kabelgenomföring Grommet |
| 19 | 28 16 190-01 | 1 | Bricka 5,3 x 12 x 1 Washer |
| 20 | 12 25 077-01 | 1 | Stoppskruv Stop screw |
| 21 | 20 24 385-12 | 8 | Skruv M6 x 75 Screw |
| 22 | 28 16 201-01 | 8 | Bricka 6,4 x 12 x 1,5 Washer |
| 24 | 16 11 571-01 | 1 | Magnetkåpa Magneto cover |
| 25 | 20 24 372-12 | 4 | Skruv M6 x 25 Screw |
| 26 | 16 11 441-01 | 1 | Kåpa, kedjedrev Cover, sprocket |
| 27 | 20 24 376-12 | 3 | Skruv M6 x 35 Screw |
| 28 | 16 11 451-01 | 4 | Dragbult, cylinder Cylinder stud |
| 29 | 16 12 537-01 | 1 | Magnetplugg Magneto plug |
| 30 | 12 25 025-01 | 1 | Packning Gasket |
| 31 | 16 10 777-01 | 4 | Flänsbussning d= 8 mm Flange sleeve |
| 32 | 16 10 776-01 | 2 | Styrhylsa Steering sleeve |
| 33 | 28 38 465-01 | 1 | Räffelpinne 6 x 55 Dowel pin |
| 34 | 15 19 374-01 | 1 | Kedjelås 5/8 x 1/4" Master link |
| 35 | 15 19 373-08 | 1 | Kedja 5/8 x 1/4" Chain |
| 36 | 16 12 471-04 | 1 | Kedjedrev z= 13 Sprocket |
| 37 | 16 12 472-01 | 1 | Distansring Spacer |
| 38 | 28 20 020-01 | 1 | Spårring SqA20 Circlip |
| 39 | 16 11 621-01 | 1 | Packning Gasket |

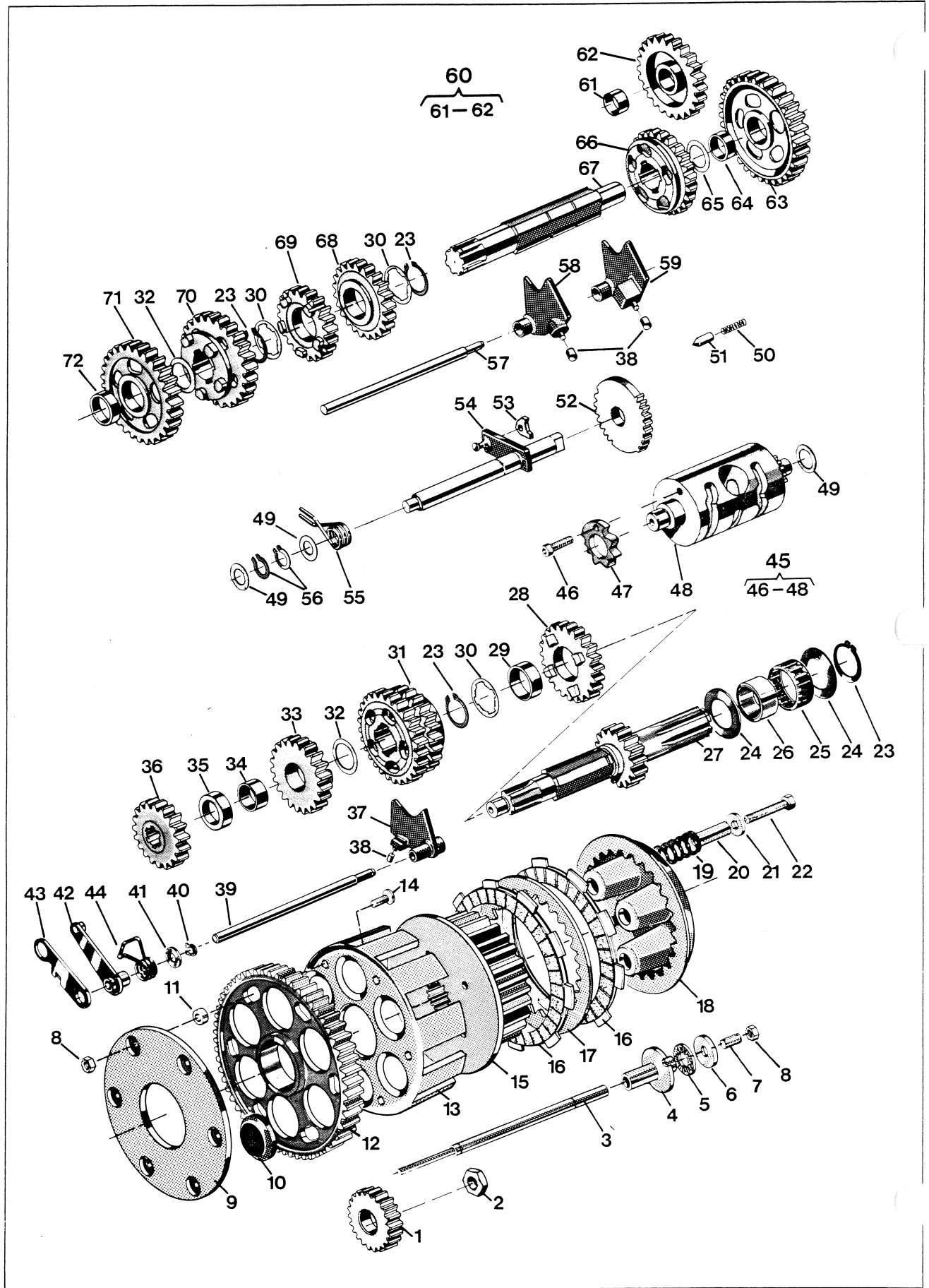
TILLBEHÖR
ACCESSORIES

| Det. nr Part number | Benämning Description |
|-------------------------------------|------------------------------------------------------|
| | Kedjedrev/ Front sprocket |
| 16 12 471-01 | z= 10 |
| 16 12 471-02 | z= 11 |
| 16 12 471-03 | z= 12 |
| 16 12 471-04 | z= 13 |
| 16 12 471-05 | z= 14 |
| 16 12 471-06 | z= 15 |
| 16 12 471-07 | z= 16 |
| 16 12 471-08 | z= 17 |
| 16 19 805-01 | Packningssats Gasket set |
| 15 19 243-01 | Monteringsplatta Mounting stand |
| 15 19 810-01 | Avdragare för vevhus Puller for crankcase |
| 15 19 105-01 | Avdrag för lager Puller for ball bearing s |
| 50 11 930-01 | Avdrag för lager Puller for ball bearings |
| 17 10 229-01 | Insexnyckel M6 Allen key M6 |
| 15 19 178-01 | Dorn Ø40 mm Drift Ø40 mm |
| 15 19 179-01 | Dorn Ø44 mm Drift Ø44 mm |
| 15 19 -01 | Monteringsvev för vevhus Mounting tool for crankcase |
| SEE SERVICE BULLETIN # 3-020 | |
| 16 19 810-01 | Right Crankcase half |
| 16 11 778-01 | Flange |
| 12 25 358-01 | Gasket |

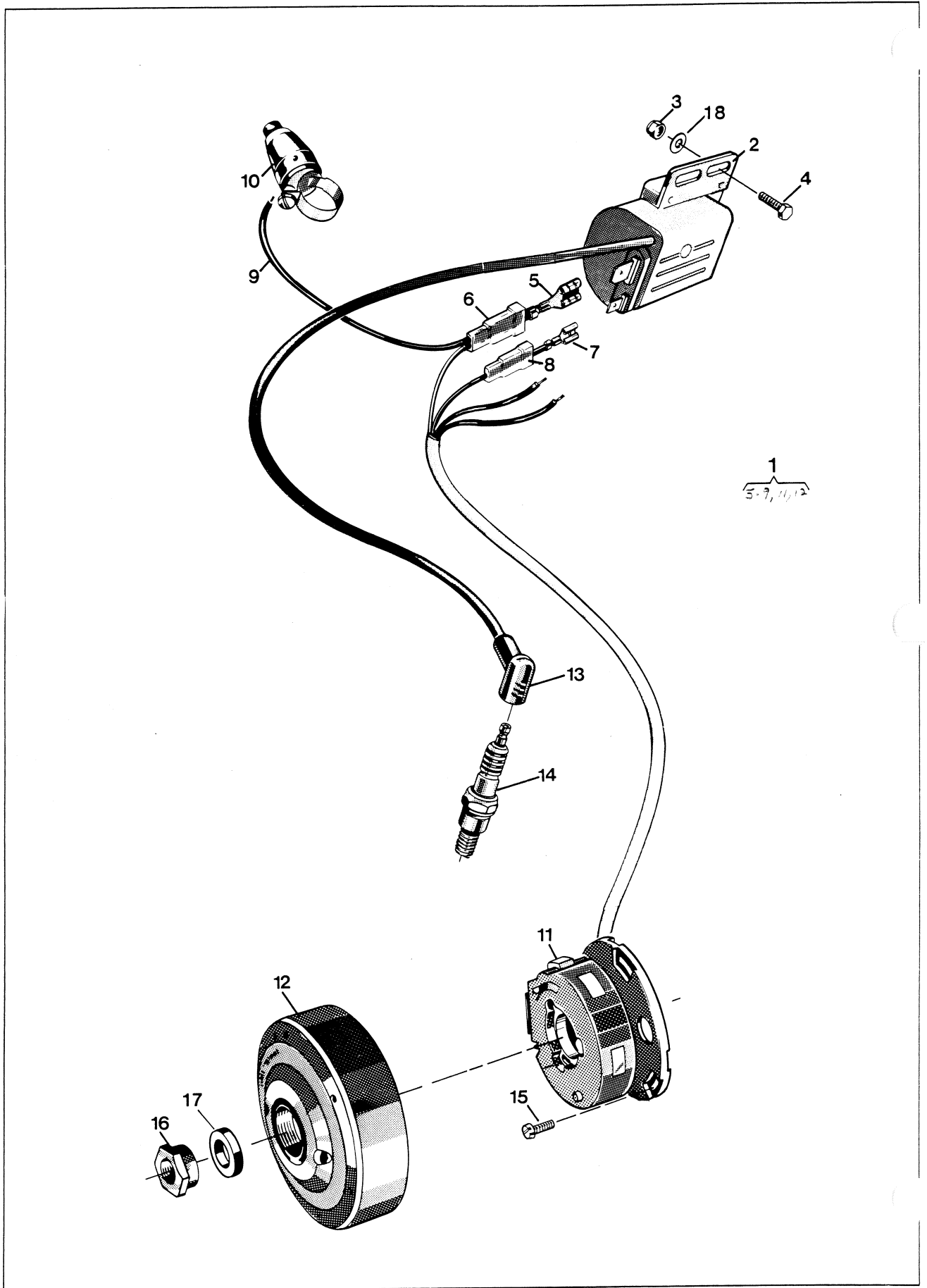


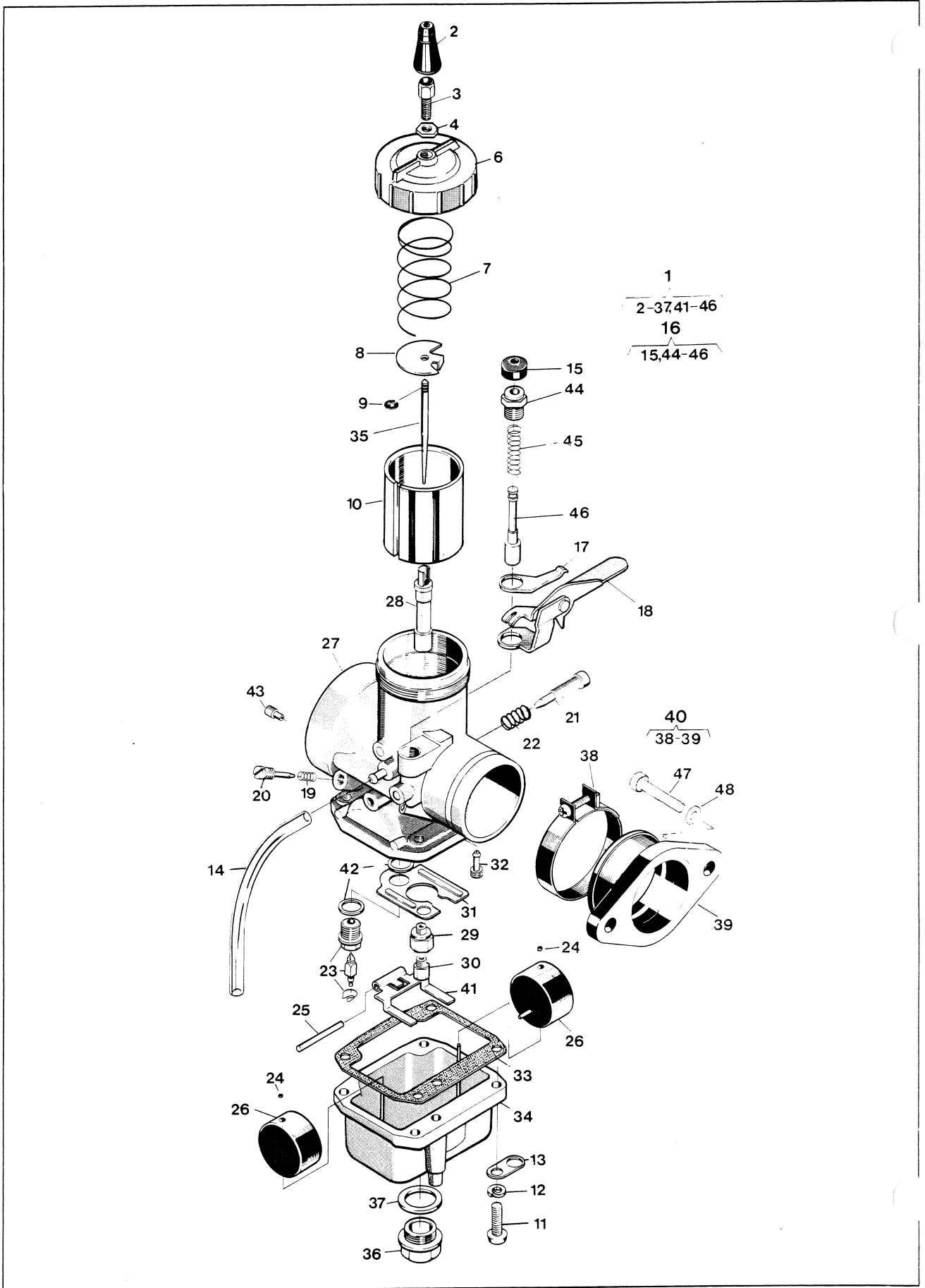
| Bild Fig. | Det. nr Part number | st. pcs. | Benämning Description |
|-----------|---------------------|----------|------------------------------------------------|
| 1 | 12 25 438-01 | 1 | Medbringarehjul Driving wheel |
| 2 | 12 25 439-01 | 1 | Fjäder Spring |
| 3 | 16 12 344-01 | 1 | Medbringareskiva kpl Driving disc compl |
| 5 | 12 25 434-01 | 1 | Kickstartaxel Kick start shaft |
| 6 | 28 20 020-01 | 1 | Låsring SgA20 Circlip |
| 7 | 12 25 436-01 | 1 | Låsring Circlip |
| 8 | 12 25 442-01 | 1 | Packning Gasket |
| 9 | 12 25 443-01 | 1 | Stöbricka Support washer |
| 10 | 20 26 370-44 | 2 | Skruv Screw |
| 11 | 12 25 440-01 | 1 | Lyfthake Pawl |
| 12 | 12 25 446-01 | 1 | Buffert Buffer |
| 13 | 16 10 786-01 | 1 | Lock Cap |
| 14 | 12 25 621-10 | 1 | Slang/m 4,8 x 8 Hose/m |
| 15 | 16 12 680-01 | 1 | Kickstartpedal kpl Kick starter pedal compl |
| 16 | 29 70 135-01 | 1 | O-ring 13,3 x 2,4 O-ring |
| 17 | 20 24 455-12 | 1 | Skruv M8 x 30 Screw |
| 19 | 16 12 679-01 | 1 | K/S Lever Arm |
| 20 | 28 01 416-01 | 1 | |
| 21 | 20 24 368-12 | 1 | Skruv M6 x 16 Screw |
| 22 | 12 25 702-01 | 1 | Pedalgummi Pedal rubber |
| 23 | 16 11 486-01 | 1 | Vevhuskåpa Transmission cover |
| 24 | 20 24 376-12 | 7 | Skruv M6 x 35 Screw |
| 25 | 16 12 504-01 | 1 | Fotväxelpedal Shift lever |
| 26 | 16 12 813-01 | 1 | Pedalgummi Pedal rubber |
| 27 | 20 24 370-12 | 1 | Skruv M6 x 20 Screw |
| 28 | 29 65 289-07 | 1 | Tätning 17 x 28 x 6 Seal |
| 29 | 16 11 535-01 | 1 | Växelmekanism kpl Gear links compl |
| 30 | 12 25 077-01 | 1 | Stoppsskruv Screw |
| 31 | 28 16 190-01 | 1 | Bricka 5,3 x 12 Washer |
| 32 | 16 10 823-01 | 1 | Packning Gasket |
| 33 | 20 62 364-11 | 1 | Skruv M6 x 10 Screw |
| 34 | 16 11 606-01 | 1 | Vevhushalvor par Crankcase halves pair |
| 35 | 16 10 777-01 | 4 | Flänsbussning d= 8 mm Flange sleeve |
| 36 | 28 26 571-01 | 2 | Cyl pinne Dowel pin |
| 37 | 16 10 779-01 | 1 | Stöbricka Support washer |
| 38 | 20 62 328-12 | 4 | Skruv M5 x 14 Screw |
| 39 | 16 10 792-01 | 1 | Packning Gasket |
| 40 | 16 11 465-01 | 2 | Bussning Sleeve |
| 41 | 29 31 220-57 | 1 | Kullager SKF 6303 NR/C3 Ball bearing |

| Bild Fig. | Det. nr Part number | st. pcs. | Benämning Description |
|-----------|---------------------|----------|-----------------------------------------|
| 42 | 12 25 356-01 | 1 | Bussning Bushing |
| 43 | 29 31 265-57 | 1 | Kullager SKF 6205 NR/C3 Ball bearing |
| 44 | 29 65 549-14 | 1 | Tätning 30 x 52 x 7 Seal |
| 45 | 29 32 524-21 | 1 | Kullager SKF 3205/C3 Ball bearing |
| 46 | 50 12 782-01 | 1 | Packning Gasket |
| 47 | 16 11 474-01 | 1 | Bussning Bushing |
| 48 | 12 25 437-01 | 1 | Returfjäder Spring |
| | | | SEE SERVICE BULLETIN # 3-020 |
| | | | 16 19 811-01 LEFT CRANKCASE HALF |



| Bild Fig. | Det. nr Part number | st. pcs. | Benämning Description | Bild Fig. | Det. nr Part number | st. pcs. | Benämning Description |
|-----------|---------------------|----------|----------------------------------------------------|-----------|---------------------|----------|-----------------------------------------|
| 1 | 16 11 178-01 | 1 | Drivhjul z=30 Driving gear | 37 | 16 12 897-01 | 1 | Växelförare 3-4:an Gear striker |
| 2 | 16 11 101-01 | 1 | Mutter Nut | 38 | 16 12 424-01 | 3 | Ledrulle Guide roller |
| 3 | 16 11 160 -01 | 1 | Tryckstång Push rod | 39 | 16 12 484-01 | 1 | Axel Shaft |
| 4 | 16 11 170-01 | 1 | Axelhylsa Shaft sleeve | 40 | 28 20 010-01 | 1 | Spärring SgA10 Circlip |
| 5 | 16 11 166-01 | 1 | Axiallager Axial bearing | 41 | 16 12 485-01 | 1 | Bricka Washer |
| 6 | 16 11 167-01 | 1 | Axialbricka Axial washer | 42 | 16 12 489-01 | 1 | Spärrarm Ratchet arm |
| 7 | 22 26 370-06 | 1 | Skruv TSS 6 x 20 Screw | 43 | 16 12 493-01 | 1 | Distansarm Distance arm |
| 8 | 25 09 316-02 | 7 | Mutter M6 Nut | 44 | 16 12 494-01 | 1 | Fjäder Spring |
| 9 | 16 11 150-01 | 1 | Stödplatta Support plate | 45 | 16 12 486-01 | 1 | Kulissrulle kpl Linkroller compl. |
| 10 | 16 11 152-01 | 6 | Dämpement Damping element | 46 | 20 24 366-39 | 1 | Skruv M6 x 12 Screw |
| 11 | 16 11 151-01 | 6 | Distansring Distance ring | 47 | 16 12 488-01 | 1 | Spärrhjul Ratchet wheel |
| 12 | 16 11 179-01 | 1 | Kugghjul z=68 Cog wheel | 49 | 29 95 175-01 | 3 | Bricka 15 x 24 x 1 Washer |
| 13 | 16 11 149-01 | 1 | Kopplingskorg Clutch ring | 50 | 16 12 593-01 | 1 | Fjäder Spring |
| 14 | 21 23 368-02 | 6 | Skruv 6 x 16 Screw | 51 | 16 12 455-01 | 1 | Spärrhylsa Ratchet sleeve |
| 15 | 16 11 156-01 | 1 | Kopplingscentrum Clutch hub | 52 | 16 12 870-01 | 1 | Stegmatare Stepfeeder |
| 16 | 16 11 157-01 | 6 | Lamell m. belägg Disc w. lining | 53 | 16 12 895-01 | 1 | Medbringarhake Pawl |
| 17 | 16 11 158-01 | 5 | Lamell Disc | 54 | 16 12 600-01 | 1 | Växlingsaxel Gear shaft |
| 18 | 16 11 168-01 | 1 | Tryckskena Pressure plate | 55 | 16 12 594-01 | 1 | Fjäder Spring |
| N 19 | 16 11 177-01 | 5 | Fjäder Spring | 56 | 28 20 015-01 | 2 | Spärring SgA15 Circlip |
| 20 | 16 11 169-01 | 5 | Distanshylsa Distance sleeve | 57 | 16 12 843-01 | 1 | Axel Shaft |
| 21 | 28 16 222-01 | 5 | Bricka 6,7 x 16 x 1,5 Washer | 58 | 16 12 848-01 | 1 | Växelförare 2-6:an Gear striker |
| 22 | 20 06 378-57 | 5 | Skruv M6 x 40 Screw | 59 | 16 12 896-01 | 1 | Växelförare 1-5:an Gear striker |
| 23 | 28 20 025-01 | 4 | Spärring SgA25 Circlip | 60 | 16 12 501-01 | 1 | Kugghjul start z=21 Gear wheel start |
| 24 | 16 11 155-01 | 2 | Bricka Washer | 61 | 12 25 713-01 | 1 | Bussning Sleeve |
| 25 | 16 11 154-01 | 1 | Nållager Needle bearing | 63 | 16 12 442-01 | 1 | Kugghjul 1:an z= 33 Gear wheel 1 st |
| 26 | 16 11 153-01 | 1 | Innerring Internal ring | 64 | 16 12 415-01 | 1 | Lagerhylsa Sleeve |
| 27 | 16 12 508-01 | 1 | Huvudaxel z= 14 Clutch shaft | 65 | 29 95 250-01 | 1 | Bricka 17,02 x 23 x 1 Washer |
| 28 | 16 12 404-01 | 1 | Kugghjul 4:an z=23 Gear wheel 4th | 66 | 16 12 409-01 | 1 | Kugghjul 4:an z=24 Gear wheel 4th |
| 29 | 16 12 418-01 | 1 | Lagerhylsa Sleeve | 67 | 16 12 470-01 | 1 | Hjälpaxel Sprocket shaft |
| 30 | 16 12 421-01 | 3 | Bricka Washer | 68 | 16 12 410-01 | 1 | Kugghjul 5:an z=22 Gear wheel 5th |
| 31 | 16 12 405-01 | 1 | Kugghjul 5:an, 6:an z=25,27 Gear wheel 5th, 6th | 69 | 16 12 411-01 | 1 | Kugghjul 6:an z=21 Gear wheel 6th |
| 32 | 16 12 842-01 | 2 | Bricka Washer | 70 | 16 12 408-01 | 1 | Kugghjul 3:an z=26 Gear wheel 3rd |
| 33 | 16 12 497-01 | 1 | Kugghjul 3:an z= 20 Gear wheel 3rd | 71 | 16 12 453-01 | 1 | Kugghjul 2:an z= 29 Gear wheel 2nd |
| 34 | 16 12 480-01 | 1 | Lagerhylsa Sleeve | 72 | 16 12 416-01 | 1 | Lagerhylsa Sleeve |
| 35 | 16 12 481-01 | 1 | Distansring Spacer | | | | |
| 36 | 16 12 496-01 | 1 | Kugghjul 2:an z= 17 Gear wheel 2nd | | | | |



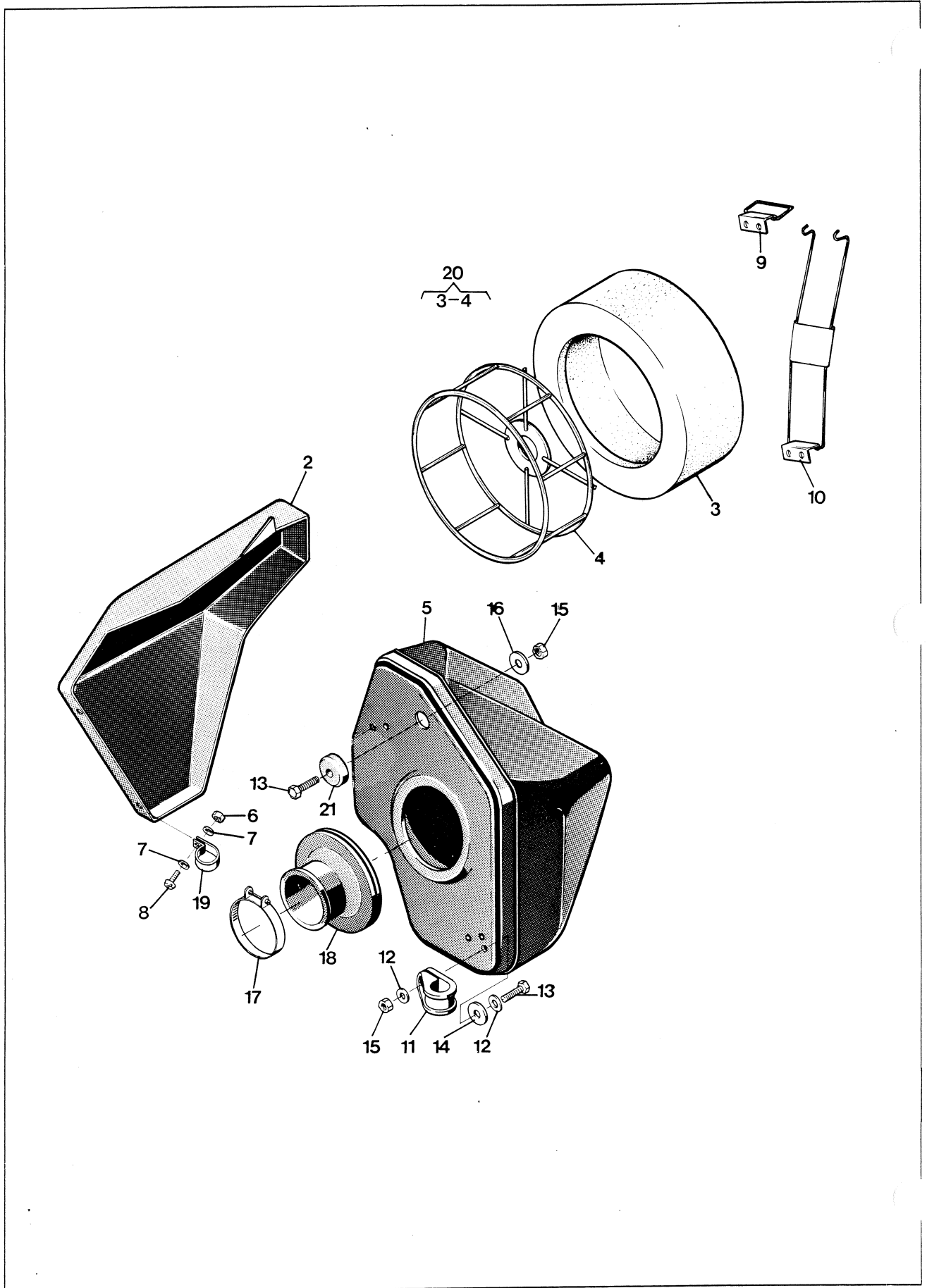


| Bild Fig. | Det. nr Part number | st. pcs. | Benämning Description |
|-----------|---------------------|----------|------------------------------------------|
| 1 | 16 13 532-01 | 1 | Förgasare kpl Carburettor compl |
| 2 | 16 13 128-01 | 1 | Skyddshylsa Protector sleeve |
| 3 | 16 13 916-01 | 1 | Ställskruv Tension screw |
| 4 | 16 13 908-01 | 1 | Mutter Nut |
| 6 | 16 13 570-01 | 1 | Förgasarelock Carburettor cover |
| 7 | 16 13 571-01 | 1 | Trottel fjäder Throttle spring |
| 8 | 16 13 584-01 | 1 | Wirelås Wire lock |
| 9 | 16 13 583-01 | 1 | Hållare Needle holder |
| 10 | 16 13 575-01 | 1 | Trottel C.A 2,0 Throttle |
| 11 | 22 00 430-17 | 4 | Skruv M5 x 16 Screw |
| 12 | 28 04 301-01 | 4 | Bricka Washer |
| 13 | 16 13 569-01 | 2 | Hållare Holder |
| 14 | 16 13 448-20 | - | Slang / m 6 x 4 Hose / m |
| 15 | 16 13 590-01 | 1 | Gummiskydd Rubber cap. |
| 16 | 16 13 589-01 | 1 | Startventil, kpl. Start valve, compl. |
| 17 | 16 13 594-01 | 1 | Fjäder Spring |
| 18 | 16 13 595-01 | 1 | Chokereglage Choke lever |
| 19 | 16 13 572-01 | 1 | Fjäder Spring |
| 20 | 16 13 573-01 | 1 | Luftskruv Air screw |
| 21 | 16 13 588-01 | 1 | Ställskruv Adjusting screw |
| 22 | 16 13 587-01 | 1 | Fjäder Spring |
| 23 | 16 13 565-01 | 1 | Nålventil, kpl. Needle valve, compl. |
| 24 | 16 13 585-01 | 2 | Flottörstopp Cap |
| 25 | 16 13 566-01 | 1 | Stift Peg |
| 26 | 16 13 578-01 | 2 | Flottör Float |
| 28 | 16 13 552-01 | 1 | Nålmunstycke N.J Q-8 Needle jet |
| 29 | 16 13 580-01 | 1 | Mellanskrub Distance screw |
| 30 | 16 13 560-01 | 1 | Huvudmunstycke M.J 430 Main jet |
| 31 | 16 13 586-01 | 1 | Skvalpplåt Baffle plate |
| 32 | 16 13 546-01 | 1 | Tomgångsmunstycke P.J 45 Idling jet |
| 33 | 16 13 543-01 | 1 | Packning Gasket |
| 34 | 16 13 574-01 | 1 | Flottörhus Float chamber |
| 35 | 16 13 579-01 | 1 | Nål Needle |
| 36 | 16 13 581-01 | 1 | Bottenskrub Screw, drain |
| 37 | 16 13 582-01 | 1 | Packning Gasket |
| 38 | 16 13 537-01 | 1 | Klamma Clamp |
| 40 | 16 13 533-01 | 1 | Anslutning, kpl Connection, compl. |
| 41 | 16 13 564-01 | 1 | Flottörarm Floar lever |

| Bild Fig. | Det. nr Part number | st. pcs. | Benämning Description |
|-----------|---------------------|----------|----------------------------------|
| 42 | 16 13 567-01 | 2 | Bricka Washer |
| 43 | 16 13 568-01 | 1 | Luftmunstycke A:J 2,0 Air jet |
| 47 | 20 24 453-02 | 2 | Skruv M8 x 25 Screw |
| 48 | 28 16 231-01 | 2 | Bricka 8,4 x 16 Washer |

TILLBEHÖR ACCESSORIES

| Det. nr Part number | Benämning Description |
|---------------------|-----------------------------------|
| | Huvudmunstycke Main jets |
| 16 13 556-01 | M.J 390 |
| 16 13 557-01 | M.J 400 |
| 16 13 558-01 | M.J 410 |
| 16 13 559-01 | M.J 420 |
| 16 13 561-01 | M.J 440 |
| 16 13 562-01 | M.J 450 |
| 16 13 563-01 | M.J 460 |
| | Nålmunstycke Needle jets |
| 16 13 549-01 | N.J Q-4 |
| 16 13 550-01 | N.J Q-5 |
| 16 13 551-01 | N.J Q-6 |
| 16 13 553-01 | N.J R-0 |
| 16 13 554-01 | N.J R-2 |
| 16 13 555-01 | N.J R-4 |
| | Tomgångsmunstycken Idling jets |
| 16 13 544-01 | P.J 35 |
| 16 13 545-01 | P.J 40 |
| 16 13 547-01 | P.J 50 |
| 16 13 548-01 | P.J 55 |
| | Trottlar Throttles |
| 16 13 576-01 | C.A 2.5 |
| 16 13 577-01 | C.A 3.0 |



| Bild Fig. | Det. nr Part number | st. pcs. | Benämning Description |
|-----------|---------------------|----------|---------------------------------------|
| N 2 | 15 14 991-01 | 1 | Lock Cover |
| N 3 | 15 14 983-01 | 1 | Luftfilter Airfilter |
| N 5 | 15 14 979-01 | 1 | Luftfilterbehållare Air filter holder |
| 6 | 25 80 118-01 | 2 | Mutter M4 Nut |
| 7 | 28 01 233-01 | 4 | Bricka 4,3×12 Washer |
| 8 | 20 62 291-11 | 2 | Skruv M4 × 12 Screw |
| N 9 | 15 14 986-01 | 1 | Länk Link |
| N 10 | 15 14 985-01 | 1 | Bygel Filter holder |
| 11 | 15 18 137-01 | 1 | Fäste Attachment |
| 12 | 28 16 211-01 | 2 | Bricka 6,4 × 14 Washer |
| 13 | 20 06 371-12 | 2 | Skruv M6 × 22 Screw |
| 14 | 15 18 121-01 | 1 | Gummibricka Rubber Washer |
| 15 | 25 80 142-01 | 2 | Mutter M6 Nut |
| 16 | 28 01 416-01 | 1 | Bricka 6,5 × 22 Washer |
| 17 | 16 13 539-01 | 1 | Klammer Clamp |
| N 18 | 15 14 984-01 | 1 | Anslutning Connection |
| N 19 | 15 14 201-01 | 2 | Klamma Clamp |
| N 20 | 15 14 981-01 | 1 | Luftfilter, kpl. Air filter, compl. |
| 21 | 15 19 342-01 | 1 | Bussning Bushing |

| Bild Fig. | Det. nr Part number | st. pcs. | Benämning Description |
|-----------|---------------------|----------|-----------------------|
| | 1619805-01 | | Gasket set |

**NYA TILLBEHÖR
NEW ACCESSORIES**

| Det. nr Part number | Benämning Description |
|---------------------|-----------------------------------------|
| 15 19 824-01 | Olja luftfilter 0,5 l Air filter oil |