

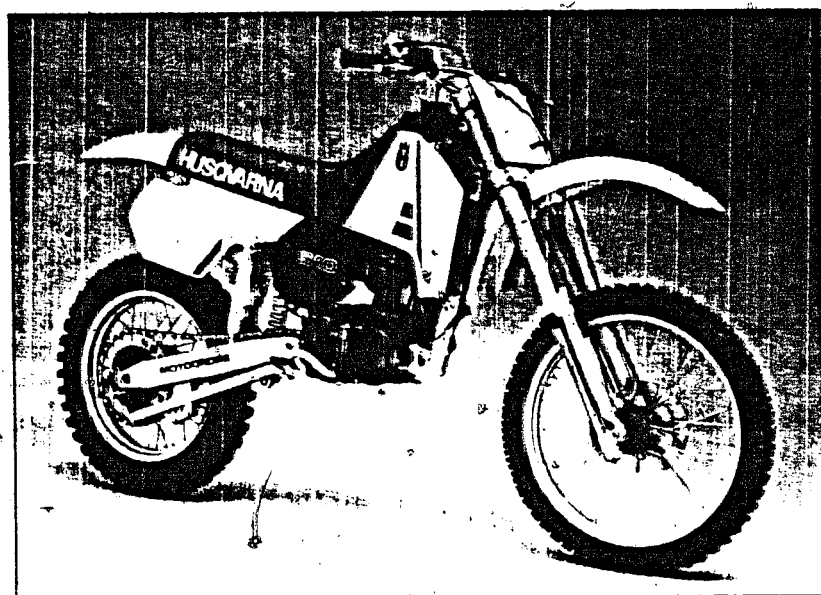
A1



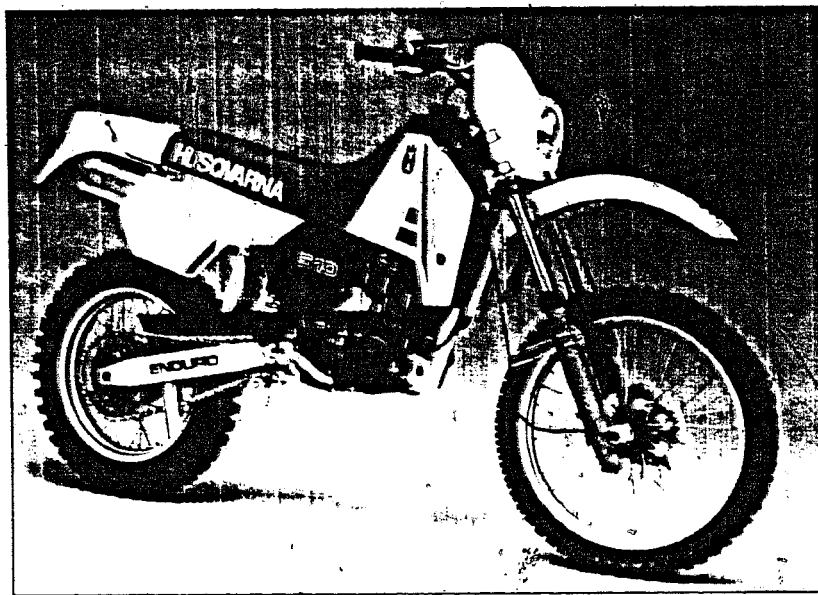
HUSQVARNA

# 1988

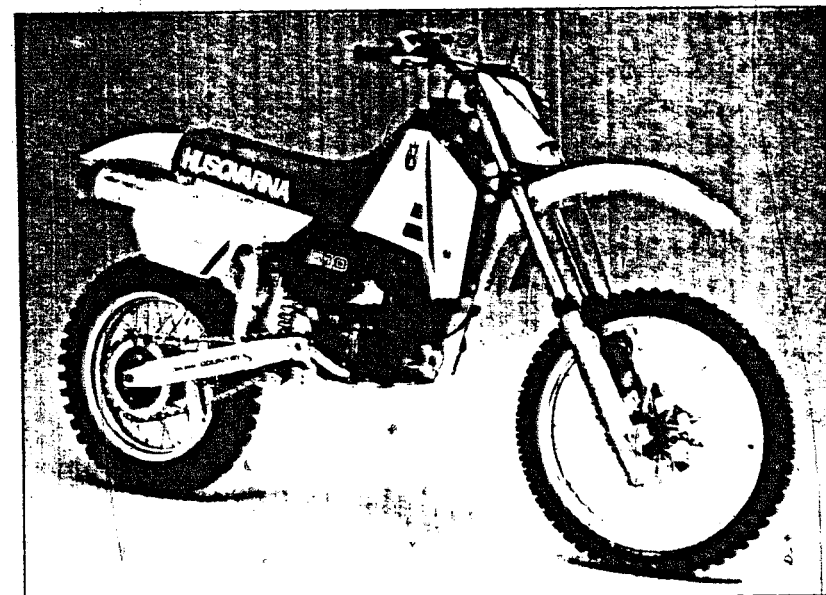
**SPARE PARTS MANUAL  
4-STROKE LIQUID COOLED**



MOTO  
CROSS  
**510 TC**



ENDURO  
**510 TE**



CROSS  
COUNTRY  
**510 TX**



1988 510TC Motocross, 510TE Enduro, 510TX Cross-country

A2

# INDEX

## PUBLICATIONS

Parts Microfiche	15 17 958-02M
Workshop Manual (Engine)	15 17 544-01
Owner's Manual	16 15 900-00
Technical Data Sheet (TC)	15 18 301-0
(TE)	15 18 300-0
(TX)	15 18 302-0
4-stroke supplement	15 17 865-02

## Vehicle I.D. Data

510 TC VIN range	ZHUTCS10-1S027000-
510 TE	ZHUTES10-1S027000-
510 TX	ZHUTXS10-1S027000-

## Engine number prefix

TC: 2221-xxxx  
TE & TX: 2222-xxxx

Air filter	C-11
Cables	C-9
Cam chain	B-2,3
Camshaft	B-2,3
Carburetor	B-12
Carburetor parts (optional)	B-13
Chain drive	B-8
Chain guards & guides	D-8,9
Clutch (TC)	B-9
Clutch (TE & TX)	B-10
Cooling	B-5
Crankcase, right	B-8
Crankcase, left	B-6,7
Crankshaft	B-2,3
Cylinder	B-2,3
Cylinder head	B-2,3
Exhaust system	C-12
Fenders	C-15
Footrests	C-2
Frame	C-2
Front brake	D-5
Front fork (TC)	C-3
Front fork (TE & TX)	C-4,5
Front master cylinder	D-5
Fuel tank	C-10
Handlebar	C-9
Headlight (TE)	D-10
Ignition system	B-11
Kickstarter	B-6,7
Meter (TE)	D-11
Oil filter	B-2,3
Piston	B-4
Radiators	B-5
Rear brake (TC)	D-6
Rear brake (TE & TX)	D-7
Rear suspension linkage	C-7
Seat	C-10
Shifter	B-6,7
Shock absorber	C-8
Side covers	C-10
Stand	C-6
Swing arm	C-6
Taillight (TE)	D-10
Tensioner, cam chain	B-2,3
Transmission (TC)	B-9
Transmission (TE & TX)	B-10
Valves	B-2,3
Water pump	B-6,7
Wheel, front	D-2
Wheel, rear (TC)	D-4
Wheel, rear (TE & TX)	D-5



**ENGINE:** Single cylinder, 4-stroke, 4 valve, OHC  
Husqvarna RAL system, liquid cooled

**DISPLACEMENT:** 503cc  
**BORE/STROKE:** 91.5 x 76.5mm  
**COMPRESSION RATIO:** 10:1

**TRANSMISSION:** 5-SPEED

**PRIMARY TRANSMISSION RATIO:** 2.3 (33.76)

**NUMBER OF COGS, GEARBOX (MS:AS):**

1ST	16:29	4TH	25:22
2ND	19:26	5TH	27:20
3RD	22:26		

**SECONDARY TRANSMISSION RATIO:** 3.71:1 (14:52)

**TOTAL GEAR RATIOS (CRANK-SHAFT: REAR WHEEL):**

1ST	15.50:1	4TH	7.53:1
2ND	11.71:1	5TH	6.34:1
3RD	9.33:1		

**CLUTCH:** Multi disc in oil bath  
**CHAIN:** 5/8" x 1/4"  
**VALVE CLEARANCE (COLD):** In. 0.10mm (0.004") Ex. 0.15mm (0.006")  
**DE-COMPRESSOR CABLE:** 1-2mm clearance on cables with engine running

**OIL CAPACITY IN GEARBOX:** 1.4 litre (0.36 US gal)  
**OIL RECOMMENDATION:** Bel-Ray Racing Engine oil MC5 SAE 40

**FUEL SYSTEM:**

**FUEL:** Gasoline min 96 oct.  
**TANK CAPACITY:** 9 litre (2.4 US gal)

**CARBURETOR:** Dellorto

**VENTURI Ø:** 40mm  
**MAIN JET:** 170  
**NEEDLE JET:** AB265  
**IDLING JET:** 52  
**STARTING JET:** 60  
**THROTTLE:** 50  
**NEEDLE POSITION:** 3  
**MIXTURE CONTROL SCREW:** 1 3/4  
**FLOAT:** 2x3.5g

510 TC MOTOCROSS CONT'D...

**ELECTRICAL SYSTEM:** SEM

**TYPE:** CDI  
**IGNITION ADVANCE:** 33°  
**IGNITION ADV. ON PISTON BEFORE TDC:** 8.0mm  
**IGNITION ADV. ON FLYWHEEL BEFORE TDC:** 39.9mm  
**LIGHT COIL:**  
**SPARK PLUG:** NGK C 7E  
NGK C 8E (racing)

**FRONT FORK:** White Power Type 4054 Upside down

**TRAVEL:** 300mm (11.8 in)  
**TRAIL:** 120mm (4.7 in)  
**FORK ANGLE (CASTER):** 27°  
**AIR PRESSURE PER LEG:** -  
**OIL CAPACITY PER LEG:** 700cc  
**OIL RECOMMENDATION:** White Power fork oil, 5/10/or15 wt.

**REAR SUSPENSION:** Husqvarna single shock system with Ohlins piggy back shock absorber

**TRAVEL:** 350mm (13.8 in)

**WHEELS AND BRAKES:**

<b>TIRES:</b> METZELER	3.00 x 21"	<b>REAR:</b> 4.50 x 18"
<b>SPOKE Ø:</b>	4mm	4.5mm
<b>BRAKE DRUM Ø:</b>	Disc 230mm (9.06 in)	Drum 160mm (6.3 in)

**DIMENSIONS:**

**LENGTH:** 2200mm (86.6 in)  
**HEIGHT:** 1240mm (48.8 in)  
**WHEELBASE:** 1512mm (59.6 in)  
**SEAT HEIGHT:** 975mm (38.3 in)  
**GROUND CLEARANCE:** 390mm (15.3 in)  
**WEIGHT:** 112kg (248 lbs)

**TORQUE SPECIFICATION:**

**FLYWHEEL NUT:** 90 Nm (66ft. lbs)  
**CYLINDER HEAD NUTS:** 50 Nm (36ft. lbs)  
**CYLINDER HEAD SCREWS:** 25 Nm (18ft. lbs)  
**ENGINE MOUNTING BOLTS:** 40 Nm (29ft. lbs)  
**CRANKCASE SCREWS:** 12 Nm (9ft. lbs)  
**SWINGARM MOUNTING NUTS:** 60 Nm (44ft. lbs)  
**SPARK PLUG:** 12 Nm (9ft. lbs)

SPECIFICATIONS SUBJECT TO CHANGE WITHOUT NOTICE



**ENGINE:** Single cylinder, 4-stroke, 4-valves, OHC, Husqvarna RAL system, Liquid cooled

**DISPLACEMENT:** 503cc

**BORE/STROKE:** 91.5 x 76.5mm

**COMPRESSION RATIO:** 10:1

**TRANSMISSION:** 6 speed

**PRIMARY TRANSMISSION RATIO:** 2:30 (33:76)

**NUMBER OF COGS, GEARBOX (MS:AS):**

1ST 13:34 = 2.62	4TH 23:24 = 1.04
2ND 16:29 = 1.81	5TH 25:23 = 0.88
3RD 19:26 = 1.37	6TH 27:20 = 0.74

**SECONDARY TRANSMISSION RATIO:** 3:43 (48:14)

**TOTAL GEAR RATIOS (CRANK-SHAFT: REAR WHEEL):**

1ST 20.6:1	4TH 8.2:1
2ND 14.2:1	5TH 6.9:1
3RD 10.8:1	6TH 5.8:1

**CLUTCH:** Multi disc in oil bath

**CHAIN:** 5/8" x 1/4"

**VALVE CLEARANCE (COLD):** In. 0.10mm (0.004") Ex. 0.15mm (0.006")

**DE-COMPRESSOR CABLE:** 1-2mm clearance on cables with engine running

**OIL CAPACITY IN GEARBOX:** 1.6 lit. (0.42 US gal)

**OIL RECOMMENDATION:** Bel-Ray Racing Engine Oil MC5 SAE 40

**FUEL SYSTEM:**

**FUEL:** Gasoline min 96 oct.

**TANK CAPACITY:** 9 litre (2.4 US gal)

**CARBURETOR:** Dellorto

**VENTURI Ø:** 40mm

**MAIN JET:** 170

**NEEDLE JET:** AB 265

**IDLING JET:** 52

**STARTING JET:** 60

**THROTTLE:** 50

**NEEDLE POSITION:** 3

**MIXTURE CONTROL SCREW:** 1 3/4

**FLOAT:** 2x3.5g

**ELECTRICAL SYSTEM:**

**TYPE:** -

**IGNITION ADVANCE:**

**IGNITION ADV. ON PISTON BEFORE TDC:**

**IGNITION ADV. ON FLY-WHEEL BEFORE TDC:**

**LIGHT COIL:**

**SPARK PLUG:**

SEM

CDI  
33°  
8.0mm  
39.9mm  
70+70W  
NGK C 7E  
NGK C 8E (racing)

**ELECTRICAL EQUIPMENT (TE):**

**HEADLIGHT:** 12V 55/W  
**TAILLIGHT:** 12V 5W

**FRONT FORK:**

**TRAVEL:**

**TRAIL:**

**FORK ANGLE (CASTER):**

**AIR PRESSURE PER LEG:**

**OIL CAPACITY PER LEG:**

**OIL RECOMMENDATION:**

Husqvarna  
(TE) 270mm (10.6 in); (TX) 300mm (11.8 in)  
120mm (4.7 in)  
27°  
MAX 50kPa (8psi)  
420-470cc  
SAE 5-SAE20 fork oil

**REAR SUSPENSION:**

**TRAVEL:**

Husqvarna single shock system with Ohlins piggy back shock absorber  
(TE) 310mm (12.2 in); (TX) 350mm (13.8 in)

**WHEELS AND BRAKES:**

**TIRES:** METZELER

**SPOKE Ø:**

**BRAKE DRUM Ø:**

<b>FRONT:</b>	<b>REAR:</b>
3.00 x 21"	4.50 x 18"
4mm	4.5mm
Disc 230mm (9.06 in)	Drum 160mm (6.3 in)

**DIMENSIONS:**

**LENGTH:**

**HEIGHT:**

**WHEELBASE:**

**SEAT HEIGHT:**

**GROUND CLEARANCE:**

**WEIGHT:**

2200mm (86.8 in)  
1295mm (48.8 in)  
(TE) 1500mm (59.0 in); (TX) 1512mm (59.5 in)  
(TE) 940mm (37.0 in); (TX) 975mm (38.3 in)  
(TE) 345mm (13.5 in); (TX) 390mm (15.3 in)  
(TE) 116kg (256 lbs); (TX) 114kg (251 lbs)

**TORQUE SPECIFICATIONS:**

**FLYWHEEL NUT:**

**CYLINDER HEAD NUTS:**

**CYLINDER HEAD SCREWS:**

**ENGINE MOUNTING BOLTS:**

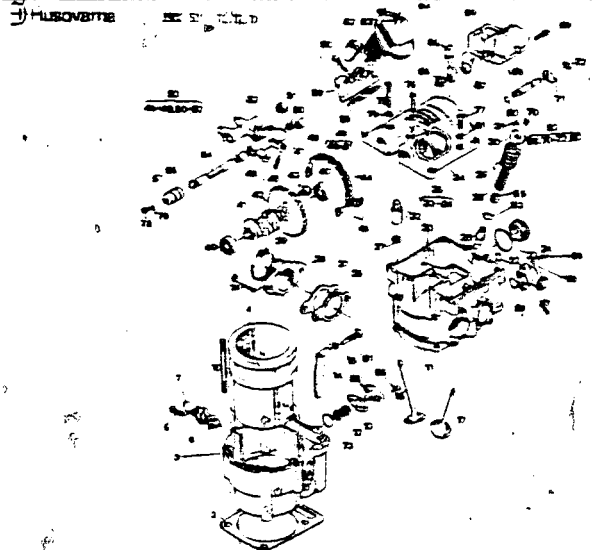
**CRANKCASE SCREWS:**

**SWINGARM MOUNTING NUTS:**

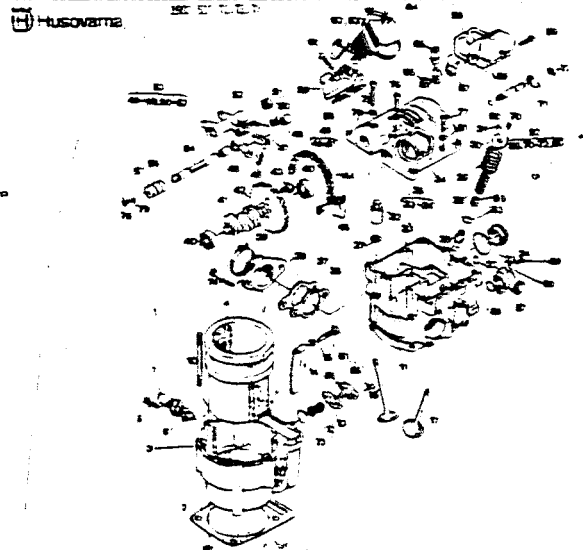
90 Nm (66ft. lbs)  
50 Nm (36ft. lbs)  
25 Nm (18ft. lbs)  
40 Nm (29ft. lbs)  
12 Nm (9ft. lbs)  
44 Nm (29ft. lbs)

**SPARK PLUG:**

12 Nm (9ft. lbs)

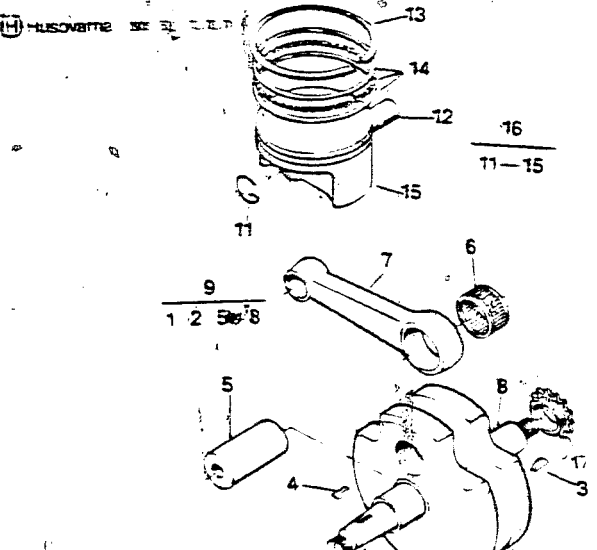


CYLINDER/HEAD/CAMSHAFT/CAMCHAIN/  
VALVES CAMCHAIN TENSIONER (1/2)...B2

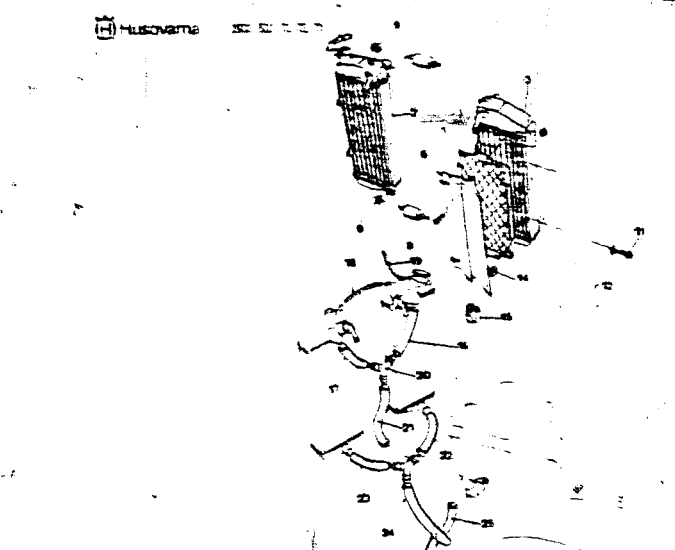


CYLINDER/HEAD/CAMSHAFT/CAMCHAIN/  
VALVES CAMCHAIN TENSIONER (2/2)...B3

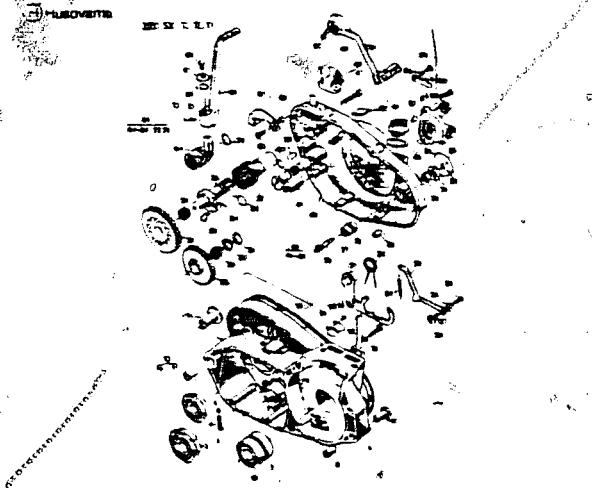
B1



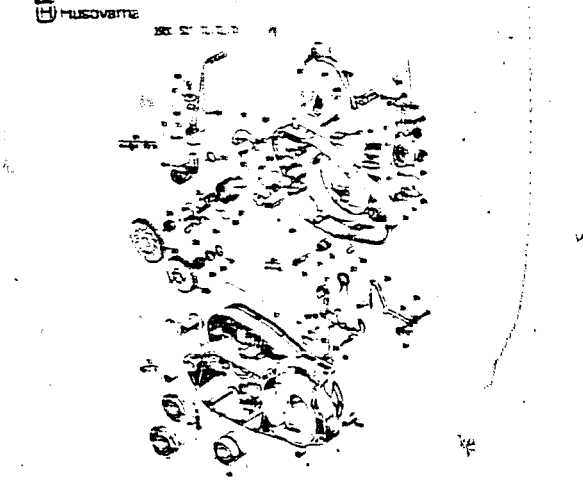
CRANKSHAFT & PISTON...B4



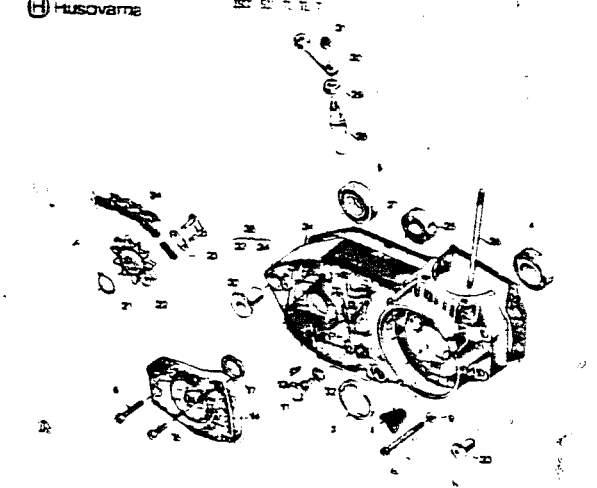
RADIATOR & COOLING...B5



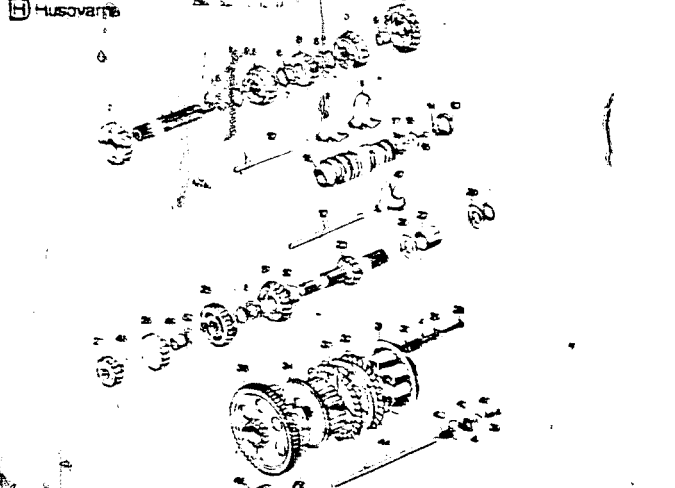
LEFT CRANKCASE, KICKSTARTER,  
SHIFTER WATER PUMP...B6



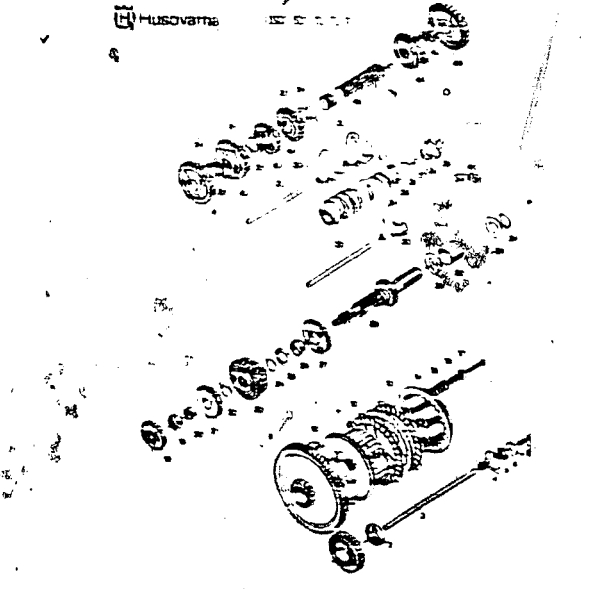
LEFT CRANKCASE, KICKSTARTER,  
SHIFTER WATER PUMP...B7



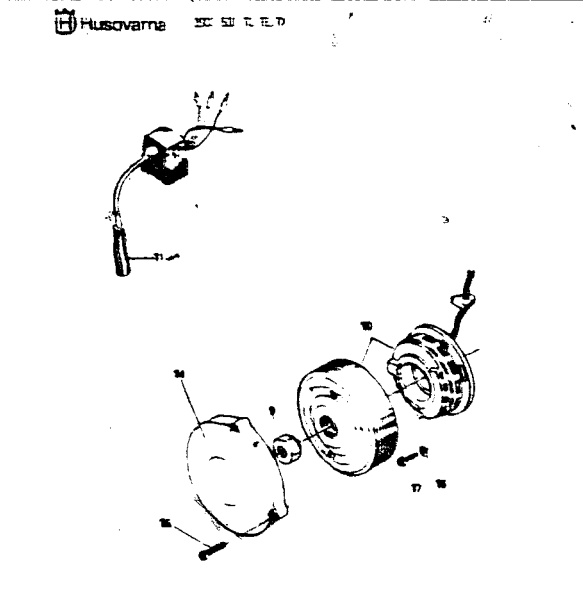
RIGHT CRANKCASE, DRIVE CHAIN...B8



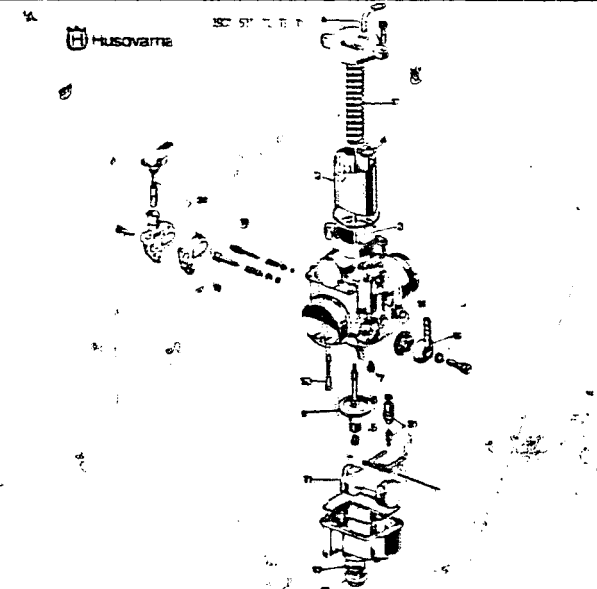
TRANSMISSION & CLUTCH...B9



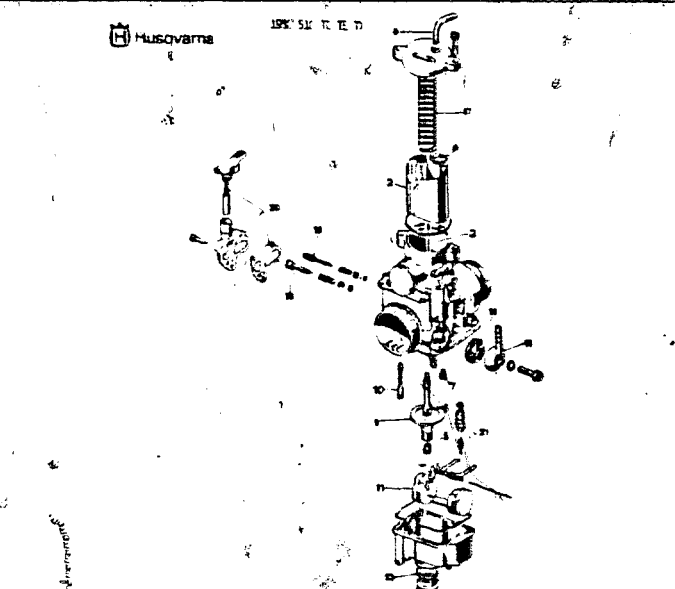
TRANSMISSION & CLUTCH (520 TE & TX)...B10



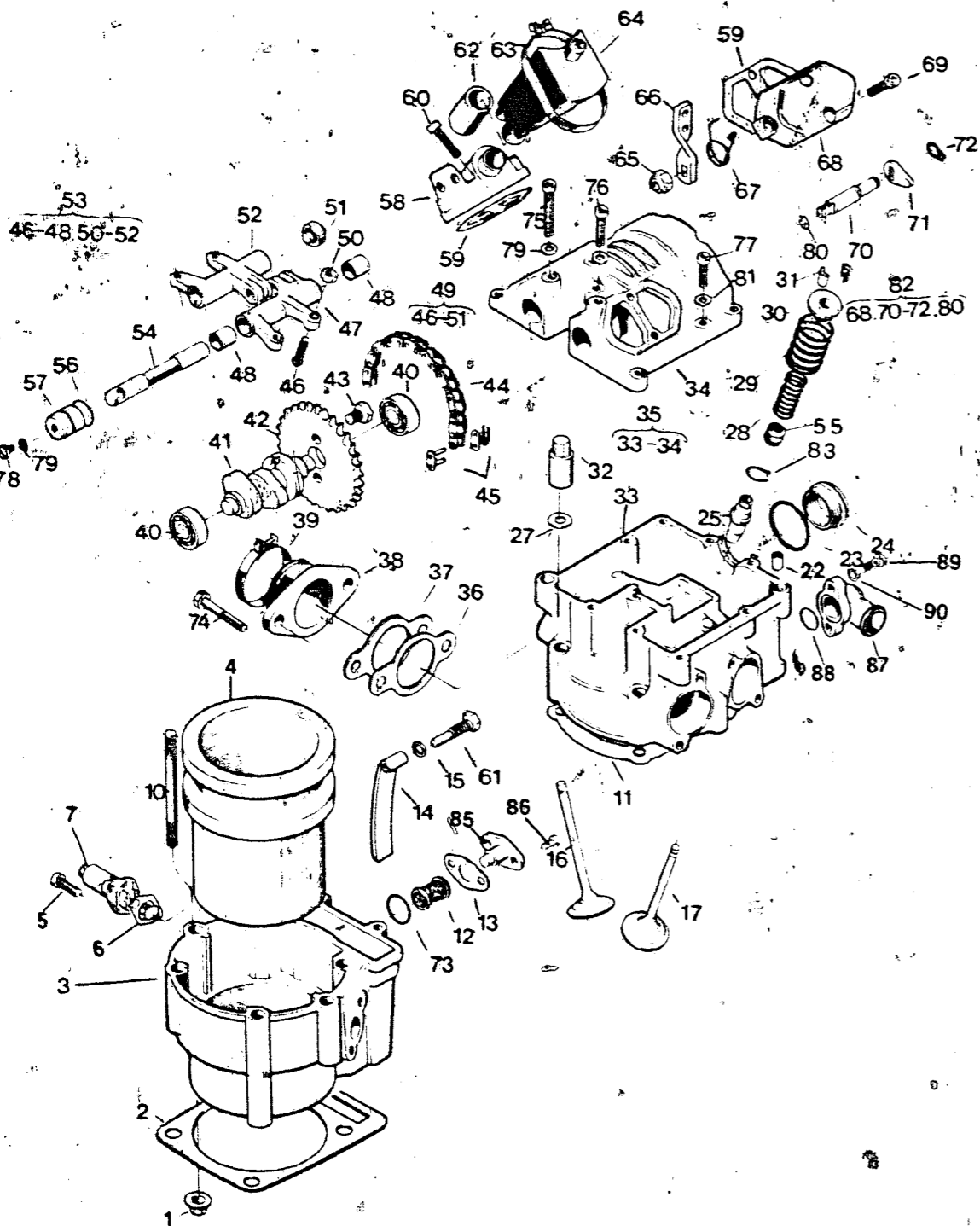
IGNITION...B11



CARBURETOR...B12

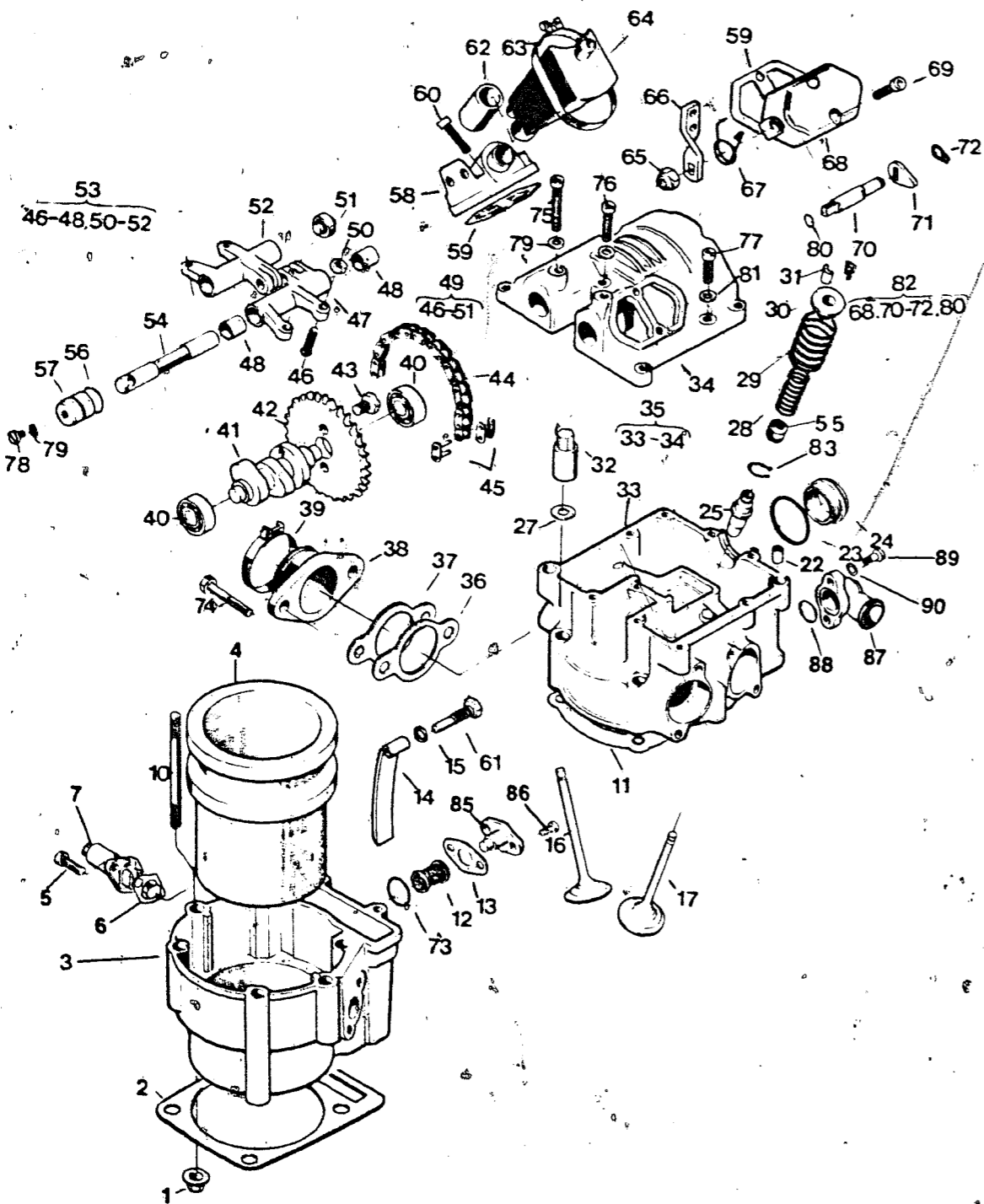


CARBURETOR PARTS (Optional)...B13



Ref. No.	Part No.	Qty.	Description	Notes
1	15 13 707-01	2	Nut, 8mm	
2	16 15 407-01	1	Base Gasket	
3	16 15 354-01	1	Cylinder	
4	16 15 399-01	1	Cylinder liner (Incl. piston)	
5	72 51 366-01	1	Screw, 6x16	
6	16 15 358-01	1	Gasket	
7	16 15 357-01	1	Tensioner, Cam chain	
10	16 15 352-01	2	Stud	
11	16 15 360-01	1	Head gasket	
12	16 15 101-01	1	Filter, oil screen	
13	16 15 378-01	1	Gasket, oil filter	
14	16 15 055-02	1	Plate, cam tensioner	
15	16 15 140-01	1	Washer	
16	16 15 267-00	2	Valve, intake d=35mm	
17	16 15 022-01	2	Valve, exhaust	
22	16 11 708-01	2	Dowel pin	
23	74 04 221-01	1	O-ring	
24	16 15 349-01	1	Cap, plug	
25	16 15 294-01	4	Valve guide	
27	73 41 171-01	4	Washer	
28	16 15 288-01	4	Valve spring, inner	
29	16 15 025-01	4	Valve spring, outer	
30	16 15 296-00	4	Retainer, valve spring	
31	16 15 023-01	8	Collets, valve retainer	
32	16 15 551-01	4	Nut	
33	16 19 982-01	1	Cover, cylinderhead	
34	16 15 238-01	1	Manifold	
35	16 15 206-01	1	Clamp	
36	73 82 207-25	1	Bearing, camshaft	
37	16 15 038-01	1	Camshaft	
38	16 15 550-01	1	Sprocket, cam shaft	
39	16 15 266-01	1	Screw, 8x12	
40	16 15 099-01	1	Cam chain	
41	16 15 100-01	1	Master link, cam chain	
42	16 15 049-01	4	Screw, valve adjust	
43	16 15 043-01	4	Bushing, rocker	
44	16 19 853-01	1	Rocker arm, exhaust	
45	16 15 156-01	1	Nut	
46	16 15 045-01	2	Bearing, roller	
47	16 19 854-01	1	Rocker arm, intake	
48	16 15 042-01	2	Shaft, rocker arm	
49	16 15 303-01	4	Seal, valve guide	
50	74 04 215-10	2	O-ring	
51	16 15 939-01	2	Plug	
52	16 15 121-01	1	Cover, valve intake	
53	16 15 036-01	2	Gasket	
54	72 55 371-01	5	Screw, 6x22	
55	16 15 359-01	1	Screw	
56	16 15 141-02	1	Hose	
57	15 13 380-01	1	Clamp	
58	16 15 128-01	1	Chamber, crankcase vent	
59	73 22 118-01	1	Nut, 8mm	
60	16 15 408-01	1	Lever	
61	16 15 123-01	1	Spring	
62	16 15 055-01	1	Cover, compression release	

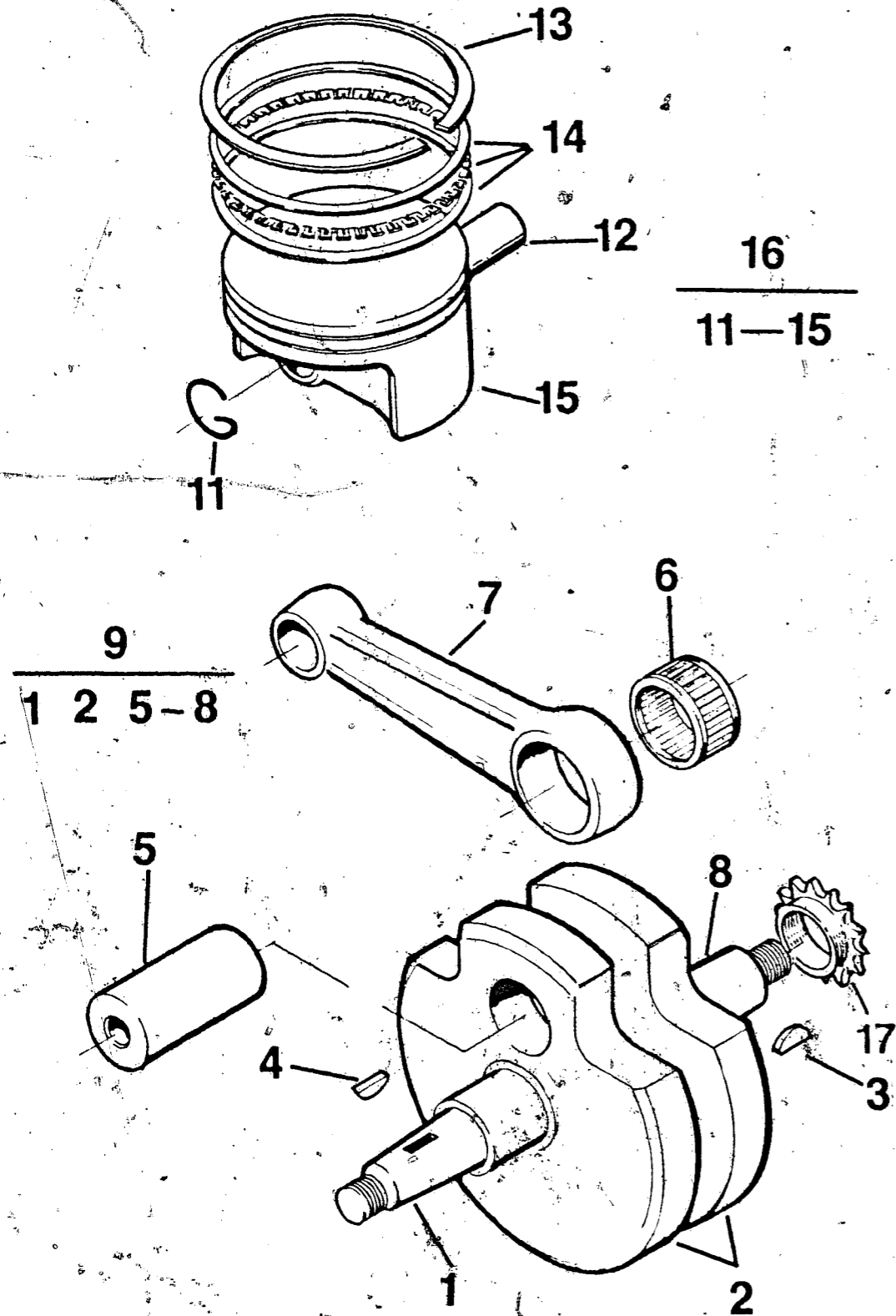
Cylinder/Head/Camshaft/Camchain/Valves  
Camchain tensioner (2/2)



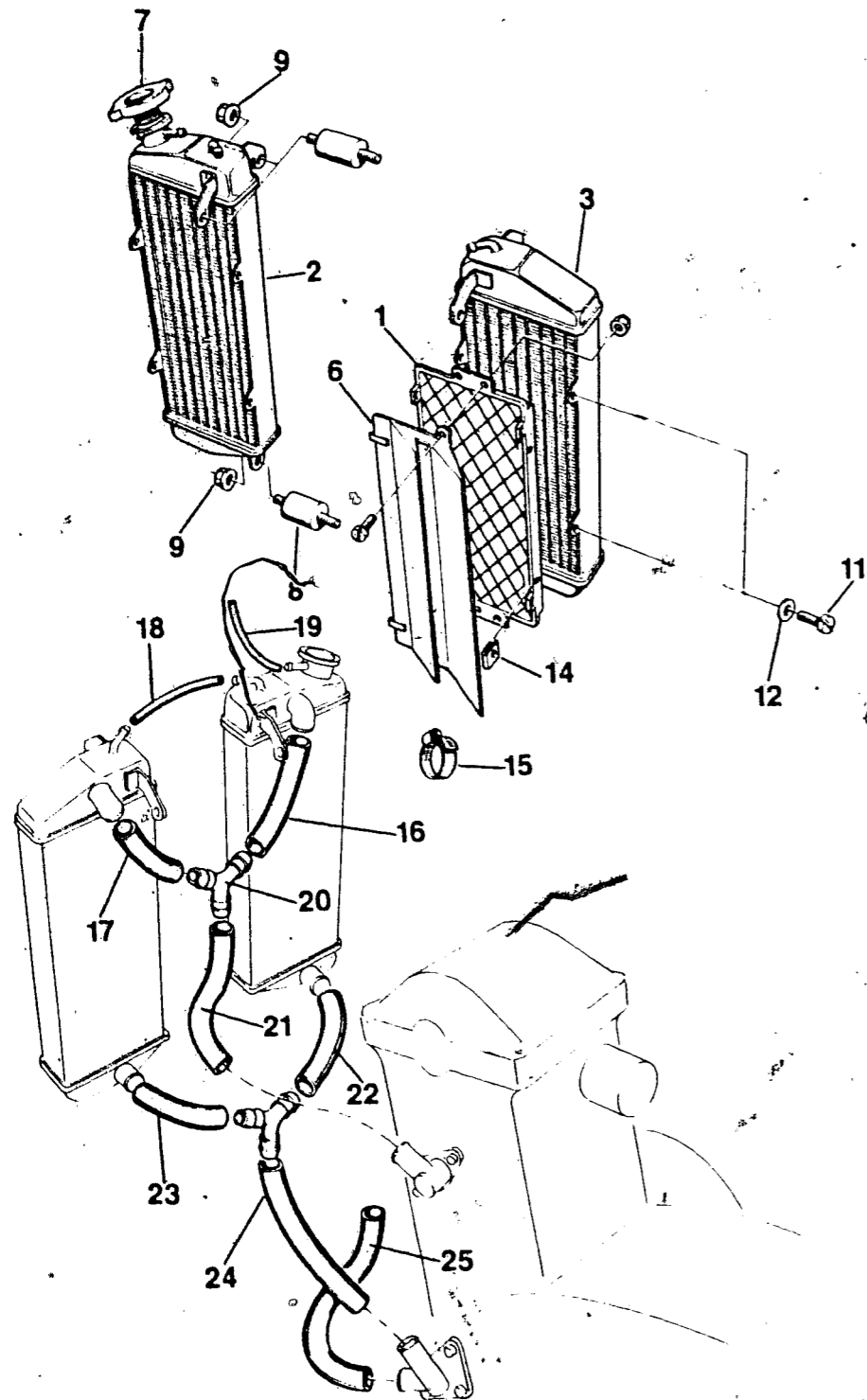
Ref. No.	Part No.	Qty.	Description	Notes
69	72 55 378-01	1	Screw, 6x40	
70	16 15 084-01	1	Shaft, compression release	
71	16 15 085-01	1	Cam, compression release	
72	73 53 110-00	1	Circlip	
73	74 04 818-12	1	O-ring	
74	72 55 455-01	2	Screw, 8x30	
75	72 55 382-01	2	Screw, 6x60	
76	72 55 379-01	1	Screw, 6x45	
77	72 55 374-01	8	Screw, 6x30	
78	72 31 362-01	2	Screw	
79	16 10 823-01	4	Washer	
80	74 04 205-10	1	O-ring	
81	15 13 731-01	9	Washer	
82	16 15 094-01	1	Cover, valve, exhaust, compl.	
83	73 53 113-40	4	Circlip	
85	16 15 377-01	1	Cap, oil filter plug	
86	72 31 525-01	2	Screw, 5x10	
87	16 15 352-01	1	Connector, coolant	
88	74 04 215-10	1	O-ring	
89	72 55 386-01	2	Screw, 6x16	
90	15 13 730-01	2	Washer	

Crankshaft & Piston

Ref. No.	Part No.	Qty.	Description	Notes
4	15 13 713-01	1	Woodruff key	
9	16 15 361-01	1	Crankshaft, compl.	510TC
	16 15 361-02	1	Crankshaft, compl.	510FE, TX
10	16 19 896-01	1	Kit, connecting rod	
11	16 15 355-01	2	Circlip	
13	16 15 071-01	1	Ring, piston, comp.	
14	16 15 369-01	1	Ring set, piston, oil	
16	16 15 367-01	1	Piston kit, compl.	
17	16 15 058-01	1	Sprocket, cam chain	

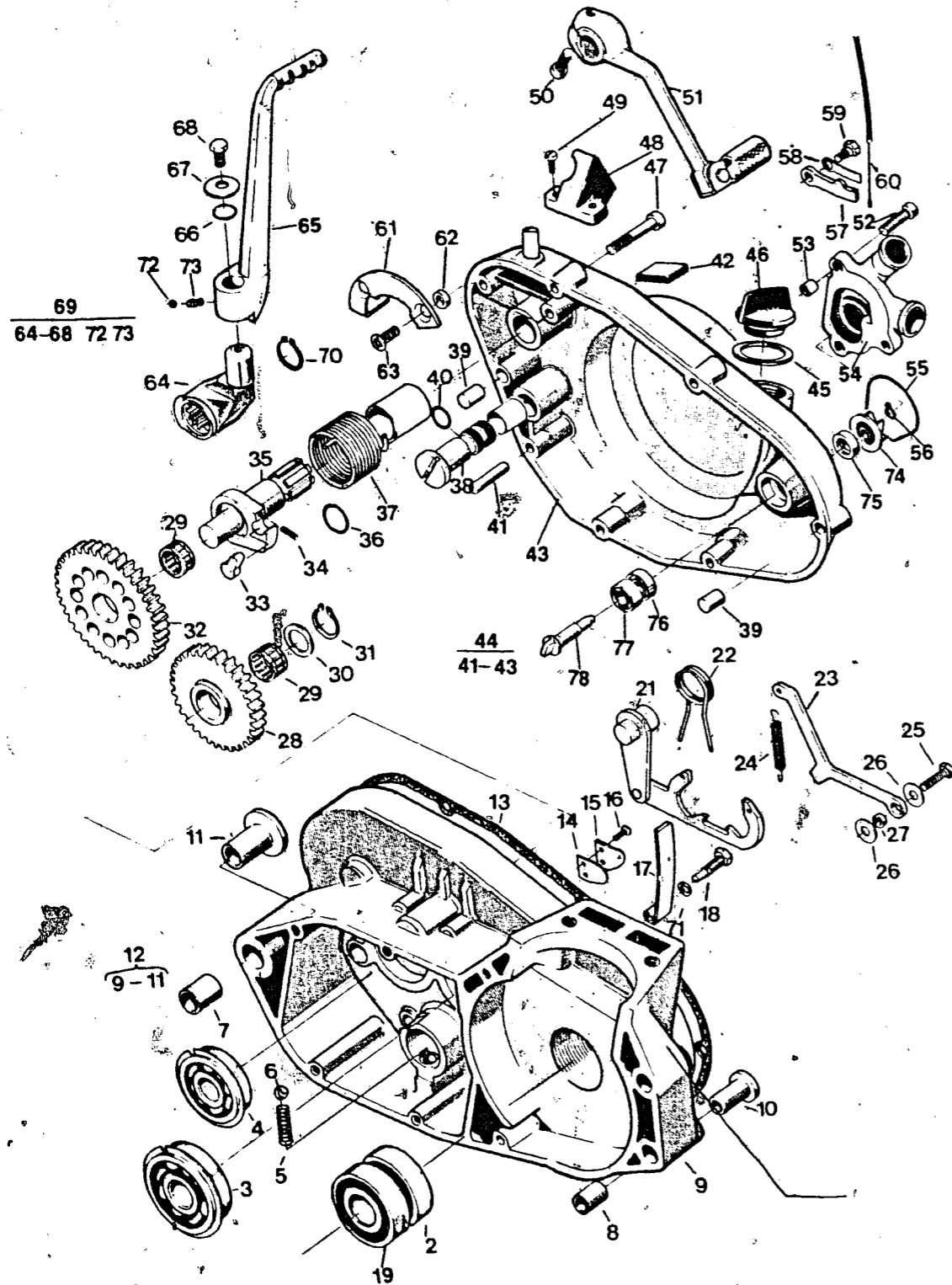


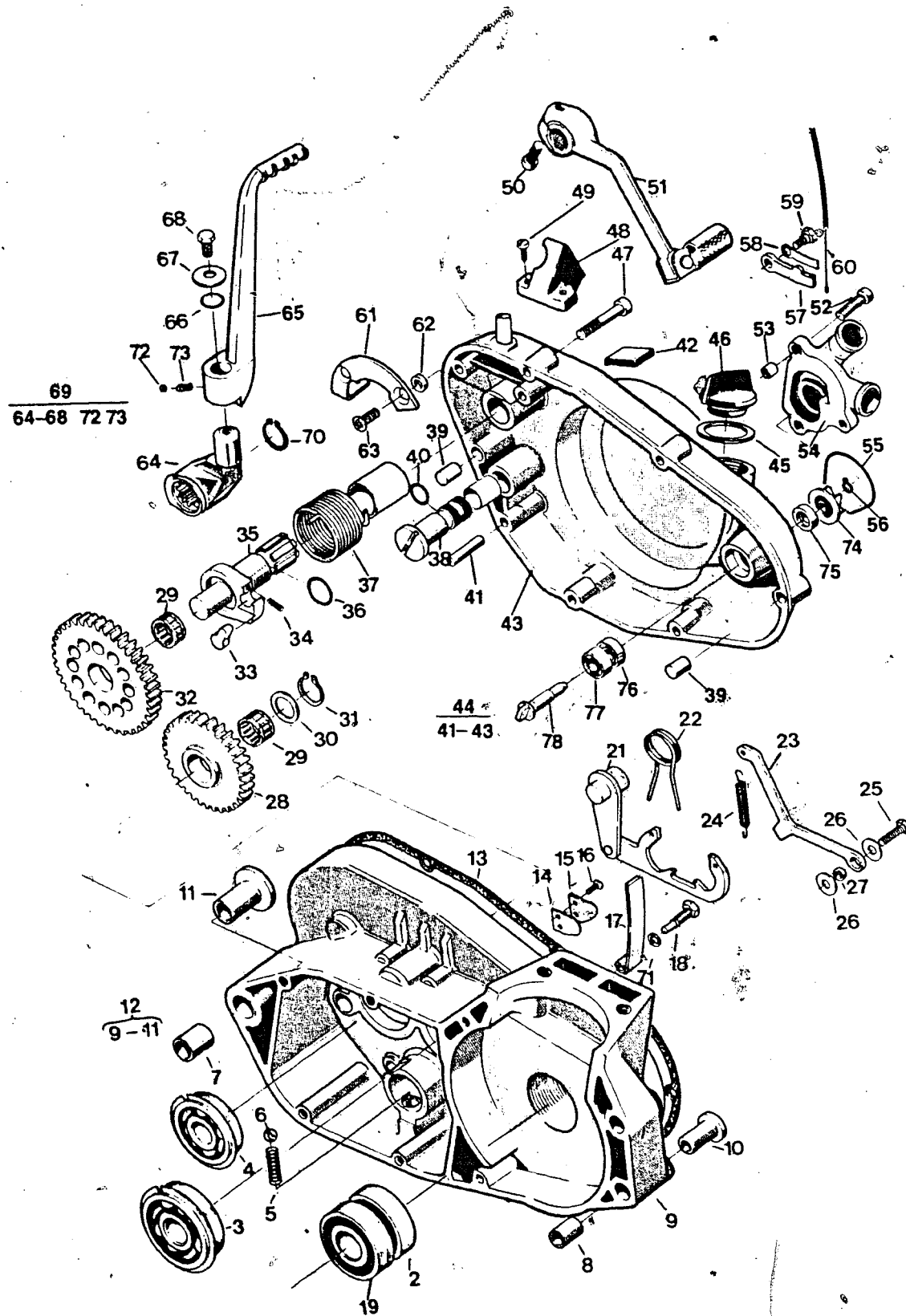




Ref. Np.	Part No.	Qty.	Description	Notes
1	15 13 864-01	2	Screen, radiator	
2	15 13 860-01	1	Radiator, right	
3	15 13 861-01	1	Radiator, left	
6	15 13 865-01	2	Splash shield	
7	15 13 863-01	1	Cap, radiator	
8	15 17 090-04	6	Damper	
9	15 13 796-01	6	Nut	
11	72 95 414-03	8	Screw	
12	73 44 926-01	4	Washer	
14	15 13 907-01	8	Nut	
15	15 13 740-01	12	Clamp, hose	
16	15 13 873-01	1	Hose	
17	15 13 874-01	1	Hose	
18	15 13 871-01	1	Hose	
19	15 13 920-02	1	Hose	
20	15 14 149-01	2	Y-fitting	
21	15 13 879-01	1	Hose	
22	15 13 877-01	1	Hose	
23	15 13 876-01	1	Hose	
24	15 13 878-01	1	Hose	
25	16 15 347-01	1	Hose	

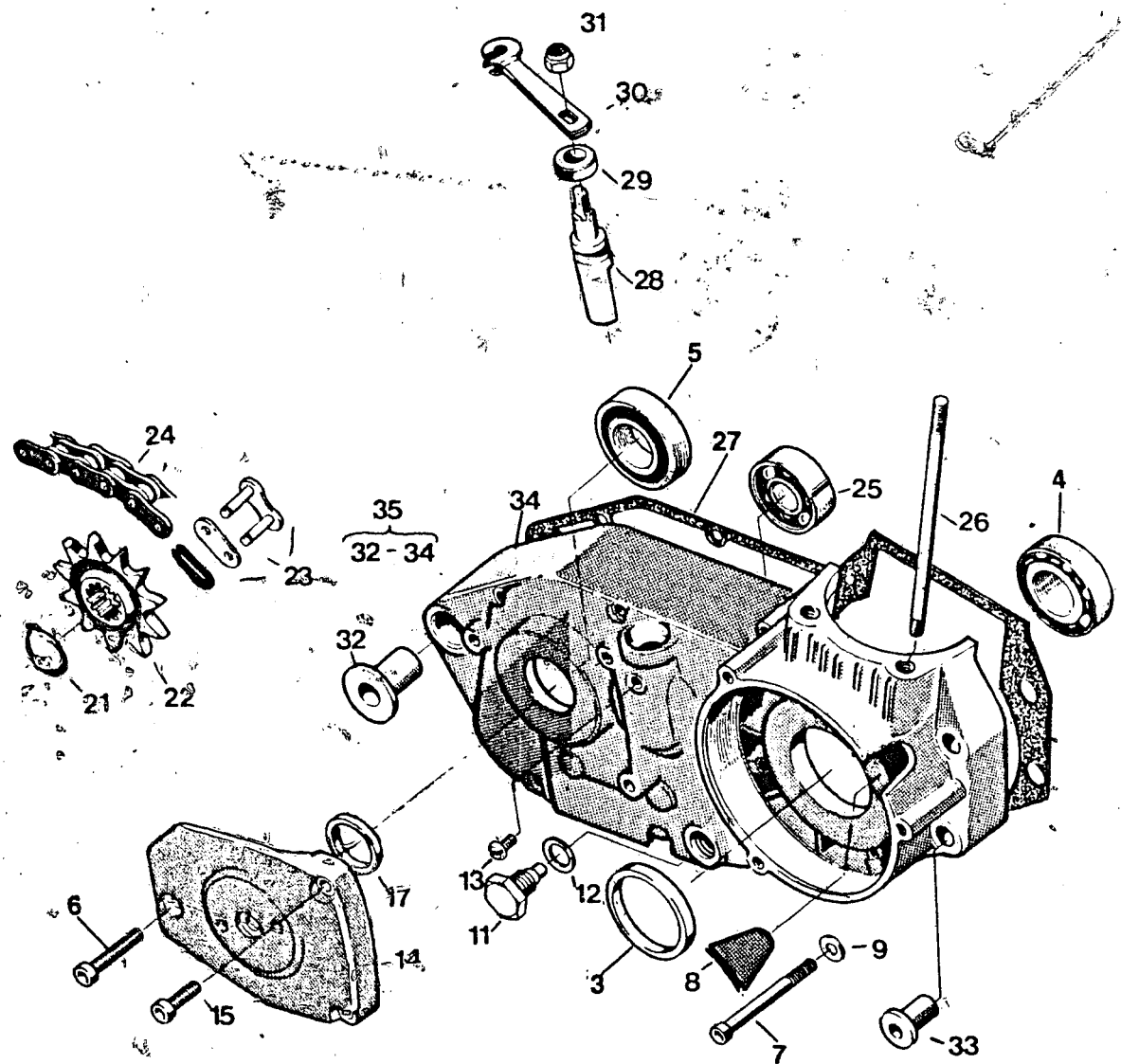
Ref. No.	Part No.	Qty.	Description	Notes
2	16 15 373-01	1	Bearing	
3	15 13 721-01	1	Bearing	
4	15 13 720-01	1	Bearing	
5	16 12 745-01	1	Spring	
6	73 86 130-03	1	Ball	
7	16 14 590-01	1	Dowel pin	
8	16 10 776-01	1	Dowel pin	
10	16 10 777-01	1	Bushing, flange	
11	16 14 589-01	1	Bushing, flange	
12	16 19 898-01	1	Crankcase half, left	
13	16 11 650-02	1	Gasket, primary cover	
14	16 15 348-01	1	Reed valve	
15	16 15 105-01	1	Support, reed valve	
16	72 32 285-31	2	Screw, 4x6	
17	16 15 055-01	1	Tensioner, cam chain	
18	16 15 359-01	1	Screw	
19	15 13 726-02	1	Seal	
21	16 11 686-01	1	Linkage, gear shift	
22	16 11 692-01	1	Spring, shift return	
23	16 11 683-01	1	Hooklink	
24	16 11 684-01	1	Spring	
25	72 52 368-53	1	Screw, 6x16	
26	15 13 734-01	2	Washer	
27	16 11 216-01	1	Bushing	
28	16 11 271-01	1	Gear, stator idle	
29	16 11 675-01	1	Bearing, needle	
30	15 13 714-01	1	Washer	
31	73 53 118-00	1	Circlip	
32	16 15 391-01	1	Gear, kickstarter	
33	16 11 680-01	1	Driver, pawl	
34	16 11 681-01	1	Spring	
35	16 11 677-01	1	Shaft, kickstarter	
36	74 04 313-10	2	O-ring	
37	16 16 362-01	1	Spring, return	
38	16 11 746-01	1	Shaft, gear shift	
39	16 11 708-01	2	Dowel pin	
40	74 04 310-10	2	O-ring	
41	72 11 344-40	1	Pin, locating	
42	16 15 142-01	1	Rubber	
44	16 19 904-02	1	Cover, primary, compl.	
45	50 12 782-01	1	Gasket	
46	16 10 786-02	1	Cap, oil fill	
47	72 55 379-01	2	Screw, 6x45	
	72 55 378-01	5	Screw, 6x40	
48	16 11 294-02	1	Retainer, kickstarter	
49	72 31 328-01	2	Screw, 5x14	
50	72 55 370-01	1	Screw, 6x22	
51	16 16 359-01	1	Lever, gear shift	
52	72 55 371-01	3	Screw, 6x22	
53	16 17 955-01	2	Dowel pin	
54	16 17 976-01	1	Housing, water pump	
55	16 17 964-01	1	O-ring	
56	73 53 108-00	1	Circlip	
57	16 15 148-01	1	Lever, lifter	
58	16 15 147-01	1	Spring	
59	16 15 146-01	1	Screw	
60	15 15 334-02	1	Cable	

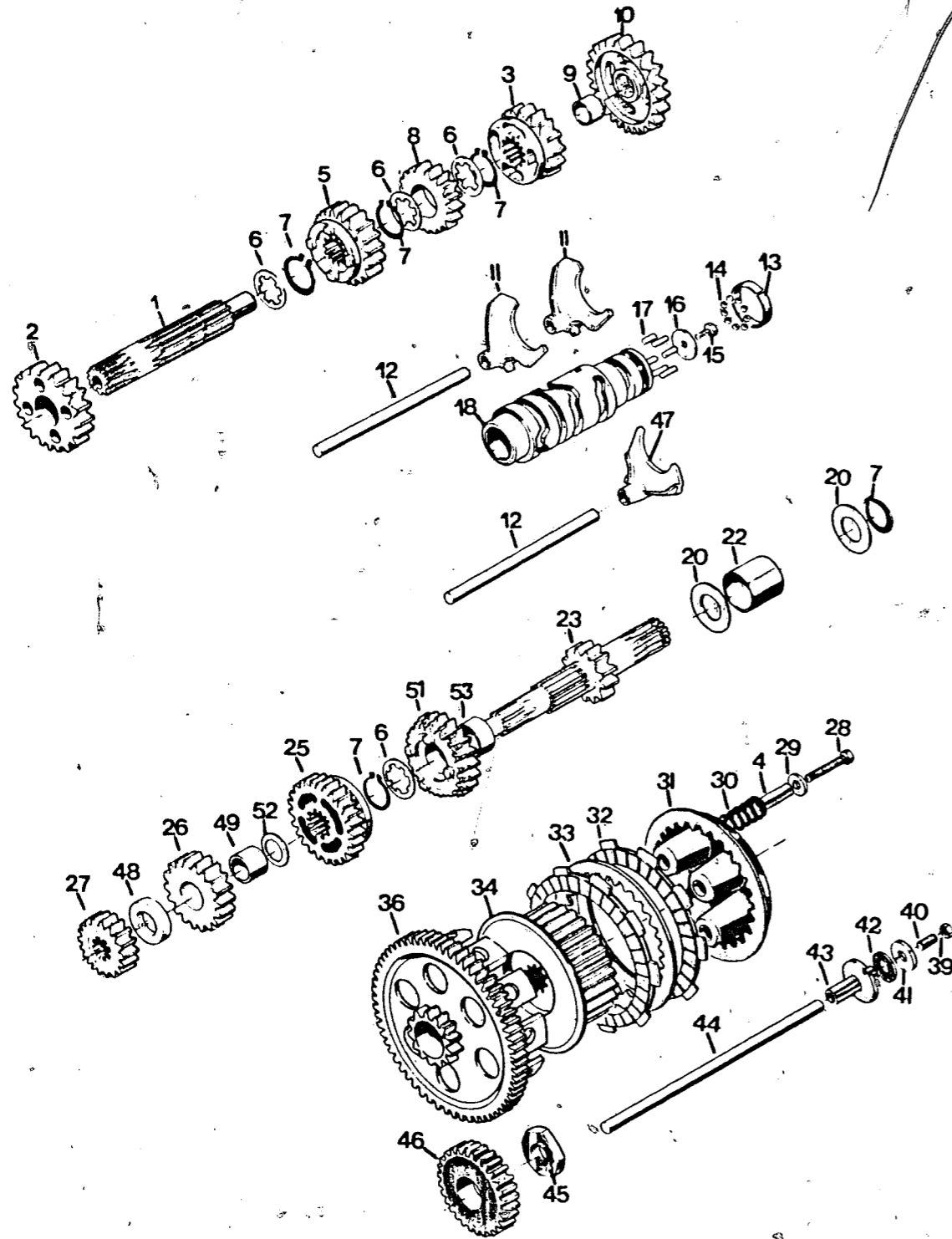




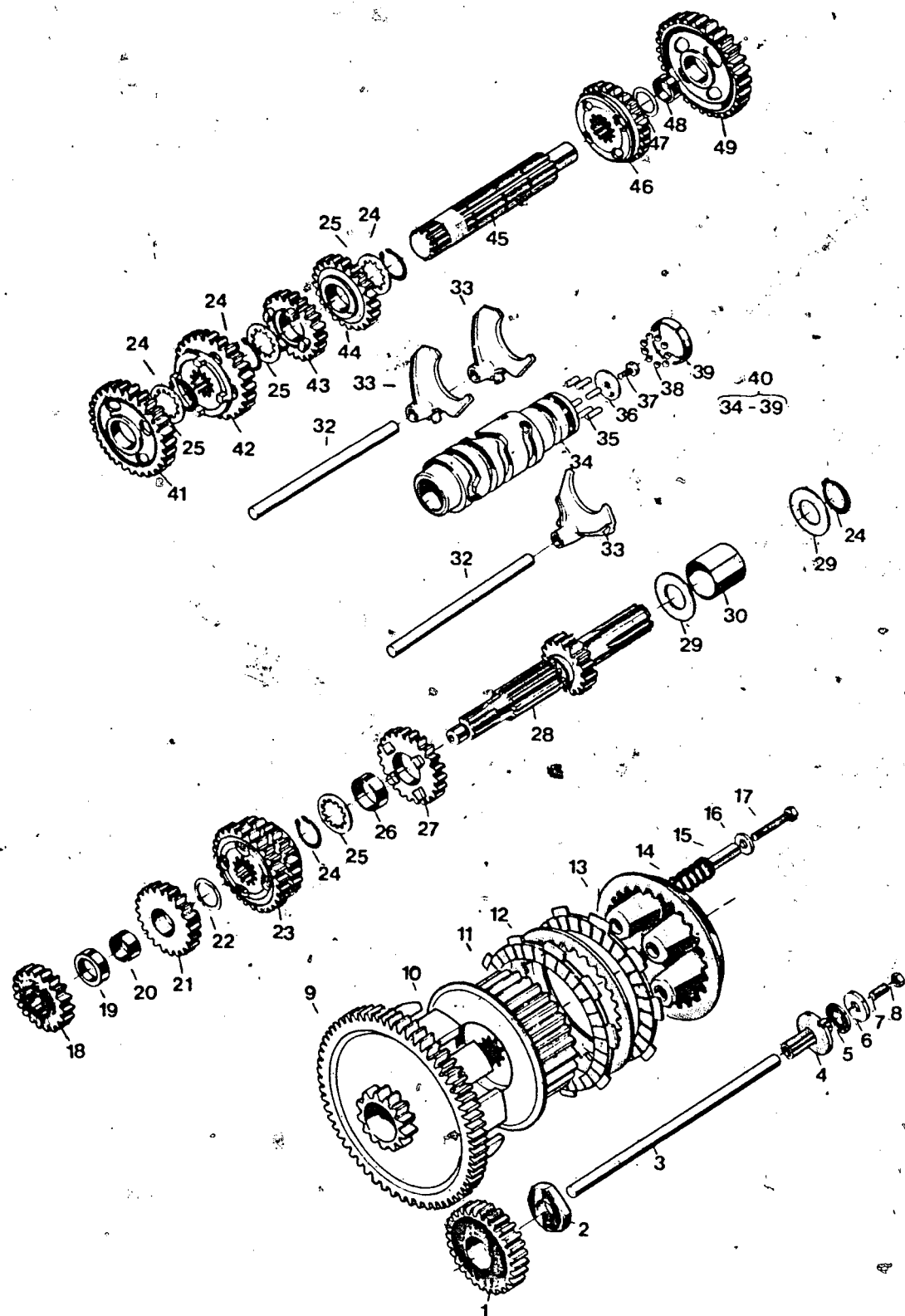
Ref No.	Part Number	Qty.	Description	Notes
61	16 11 704-01	1	Holder, spring	
62	16 11 706-01	2	Spacer	
63	72 43 370-50	2	Screw, 6x20	
64	16 15 144-02	1	Pivot, kickstarter	
65	16 11 083-02	1	Lever, kickstarter	
66	74 04 310-00	1	O-ring	
67	16 11 289-01	1	Washer	
68	72 55 368-01	1	Screw, 6x16	
69	16 15 151-01	1	Kickstarter assembly compl.	
70	73 53 122-00	1	Circlip	
71	16 15 140-01	1	Washer	
72	73 86 120-03	1	Ball	
73	16 11 084-01	1	Spring	
74	16 17 951-01	1	Impeller, water pump	
75	16 17 958-01	1	Seal	
76	73 82 198-04	1	Bearing	
77	73 82 198-00	1	Bearing	
78	16 17 966-01	1	Shaft, water pump	

Ref. No.	Part No.	Qty.	Description	Notes
3	15 13 726-02	1	Seal	
4	16 15 373-01	1	Bearing	
5	16 15 309-01	1	Bearing	
6	72 55 378-01	1	Screw, 6x40	
7	72 55 385-01	6	Screw, 5x75	
8	16 14 728-01	1	Grommet	510TC
	16 14 728-02	1	Grommet	510TE, TX
9	15 13 730-01	6	Washer	
11	16 12 537-01	1	Drain plug	
12	12 25 025-01	1	Gasket, drain plug	
13	72 31 323-01	1	Screw, 5x8	
14	16 11 816-02	1	Cover, sprocket	
15	72 55 374-01	2	Screw, 6x30	
17	16 15 308-01	1	Seal, output shaft	
21	73 53 126-00	1	Circlip	
22	16 12 693-03	1	Sprocket, t=12	510TC
	16 12 693-05	1	Sprocket, t=14	510TE, TX
	16 12 693-08	1	Sprocket, t=17	Optional
23	15 19 759-01	1	Master link	510TC, TX
24	15 19 760-11	1	Chain, drive, 5/8x3/4, 116 link	510TC, TX
	15 17 760-06	1	Chain, drive, 5/8x3/4, 116 link, O-ring	510TF
25	73 82 302-40	1	Bearing	
26	16 15 116-01	4	Stud, cylinder	
27	16 15 014-02	1	Gasket, crankcase	
28	16 15 310-01	1	Shaft, declutching	
29	15 13 722-01	1	Seal, clutch shaft	
30	16 15 645-01	1	Lever, declutching	
31	73 22 118-01	1	Nut	
32	16 14 589-01	1	Bushing, flange	
33	16 10-777-01	2	Bushing, flange	
35	16 19 897-01	1	Crankcase half, right	
	19 19 899-01	1	Crankcase set, compl.	



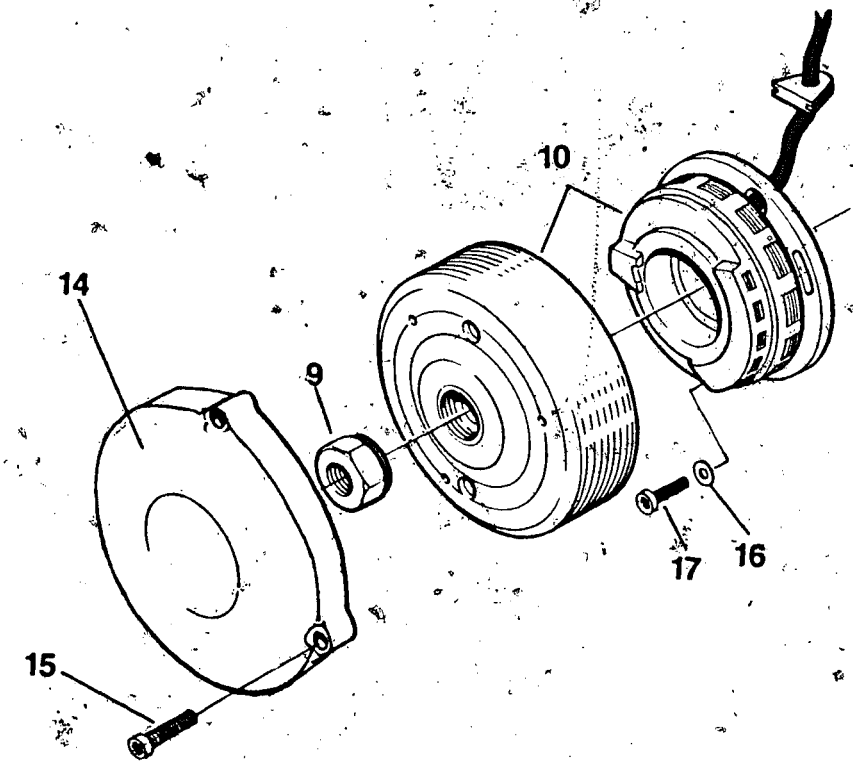
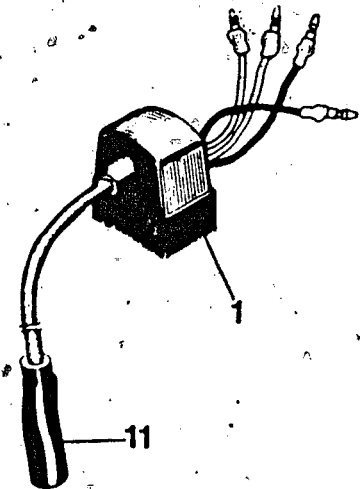


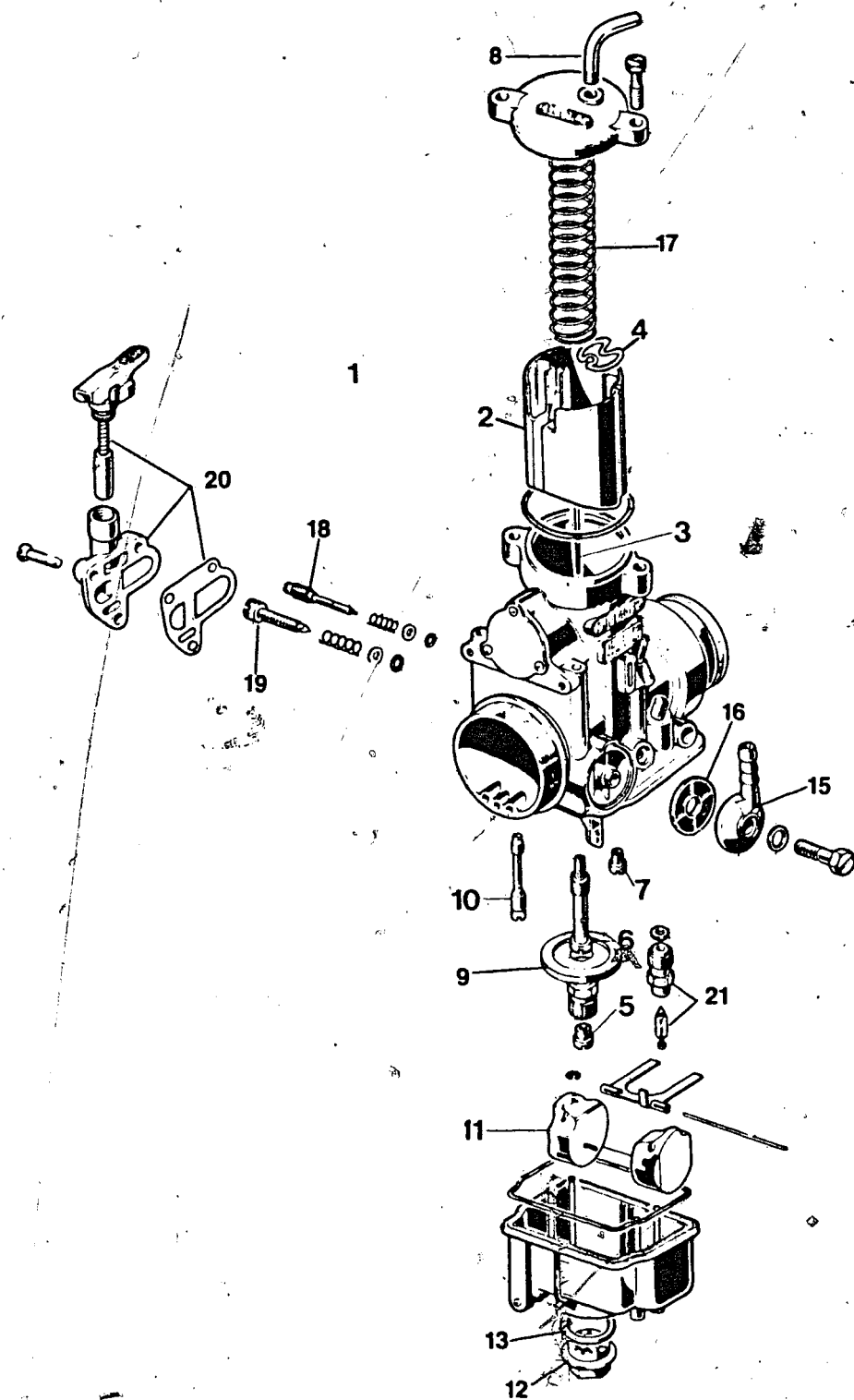
Ref. No.	Part No.	Qty.	Description	Notes
1	16 16 026-01	1	Output secondary shaft	
2	16 16 022-01	1	Gear, output, 2nd, t=26	
3	16 16 024-01	1	Gear, output, 4th, t=22	
4	16 11 160-01	5	Spacer	
5	16 16 023-01	1	Gear, output, 3rd, t=24	
6	16 11 717-01	4	Washer, support	
7	73 53 126-00	5	Circlip	
8	16 16 025-01	1	Gear, output, 5th, t=20	
9	16 12 415-01	1	Sleeve, bearing	
10	16 16 021-01	1	Gear, output, 1st, t=29	
11	16 12 384-01	2	Shift fork	
12	16 11 699-01	2	Shaft, shift fork	
13	16 12 699-01	1	Race, outer	
14	73 86 120-03	11	Ball	
15	72 52 364-86	1	Screw, 6x10	
16	15 13 709-01	41	Washer	
17	72 01 268-50	6	Pin	
18	16 16 354-01	1	Shift drum, compl.	
20	16 11 155-01	2	Washer	
22	16 15 388-01	1	Sleeve, Bearing	
23	16 16 016-01	1	Mainshaft, input, t=17	
25	16 16 020-01	1	Gear, input, 5th, t=27	
26	16 16 018-01	1	Gear, input, 3rd, t=22	
27	16 16 017-01	1	Gear, input, 2nd, t=19	
28	72 52 378-71	5	Screw, 6x40	
29	73 44 926-01	5	Washer	
30	16 15 285-01	5	Spring, clutch	
31	16 11 168-02	1	Plate, clutch pressure	
32	16 15 273-01	8	Plate, clutch, friction	
33	16 15 274-01	9	Disc, clutch	
34	16 15 088-01	1	Hub, clutch	
36	16 15 379-01	1	Gear, clutch hub	
39	73 12 316-55	1	Nut, 6mm	
40	72 85 370-00	1	Screw, 6mm	
41	16 11 167-01	1	Washer	
42	16 11 166-01	1	Bearing	
43	16 11 170-01	1	Shaft pusher	
44	16 15 315-01	1	Pushrod, clutch	
45	16 11 101-01	1	Nut	
46	16 11 075-01	1	Gear, primary drive	
48	16 16 027-01	1	Spacer	
49	16 16 360-01	1	Sleeve, bearing	
50	16 16 361-01	1	Sleeve, bearing	
51	16 16 019-01	1	Gear, input, 4th, t=25	
52	16 12 842-01	1	Washer	
53	16 16 361-01	1	Sleeve, bearing	



Ref. No.	Part Number	Qty.	Description	Notes
1	16 11 075-01	1	Gear, drive	
2	16 11 101-01	1	Nut	
3	16 15 315-01	1	Pushrod, clutch	
4	16 11 170-01	1	Sleeve, pushrod	
5	16 11 166-01	1	Bearing	
6	16 11 167-01	1	Washer	
7	72 85 370-00	1	Screw	
8	15 13 703-01	1	Nut	
9	16 15 379-01	1	Gear, clutch hub	
10	16 15 088-01	1	Hub, clutch	
11	16 15 273-01	8	Plate, clutch, friction	
12	16 15 174-01	9	Disc, clutch	
13	16 11 168-02	1	Plate, clutch pressure	
14	16 15 285-01	5	Spring, clutch	
15	16 11 169-01	5	Spacer, clutch spring	
16	73 44 926-01	5	Washer, clutch spring	
17	72 52 378-71	5	Screw, 6x40	
18	16 12 362-01	1	Gear, input, 2nd, t=16	
19	16 12 481-01	1	Spacer	
20	16 12 480-01	1	Sleeve	
21	16 12 363-01	1	Gear, input, 3rd, t=19	
22	16 12 842-01	1	Washer	
23	16 12 390-01	1	Gear, input, 5-6th, t=25-27	
24	73 53 126-00	5	Circlip	
25	16 11 717-01	4	Washer	
26	16 12 418-01	1	Sleeve	
27	16 11 837-01	1	Gear, input, 4th, t=23	
28	16 12 360-01	1	Mainshaft, input, t=13	
29	16 11 155-01	2	Washer	
30	16 15 388-01	1	Race, inner	
32	16 11 699-01	2	Shaft, shift fork	
33	16 12 384-01	3	Shift fork	
35	72 01 268-50	6	Pin	
36	15 13 709-01	1	Washer	
37	72 52 364-86	1	Screw	
38	73 86 120-03	11	Ball	
39	16 12 699-01	1	Race, ball	
40	16 11 701-01	1	Gear shift drum, compl.	
41	16 12 365-01	1	Gear, output, 2nd, t=29	
42	16 12 386-01	1	Gear, output, 3rd, t=26	
43	16 12 357-01	1	Gear, output, 6th, t=20	
44	16 11 715-01	1	Gear, output, 5th, t=22	
45	16 12 350-01	1	Shaft, secondary output	
46	16 12 388-01	1	Gear, output, 4th, t=24	
47	16 13 714-01	1	Washer	
48	16 12 415-01	1	Sleeve	
49	16 12 361-01	1	Gear, output, 1st, t=34	

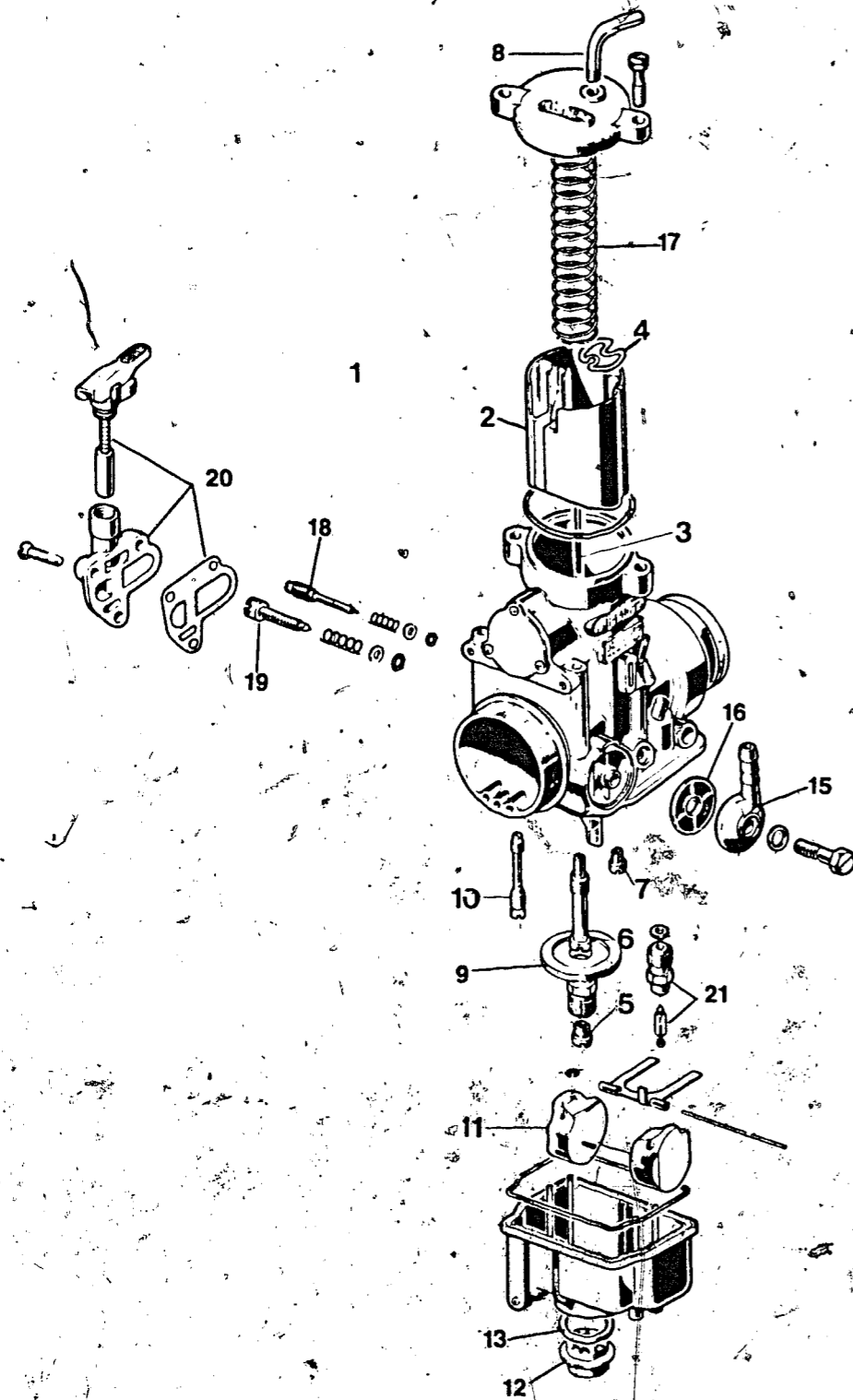
Ref. No.	Part No.	Qty.	Description	Notes
1	16 15 381-01	1	Ignition coil	
9	16 15 394-01	1	Nut	
10	16 15 108-01	1	Magneto assembly, compl.	
11	16 15 382-01	1	Cap, spark plug	
13	16 15 275-01	1	Gasket, ignition cover	
14	16 15 380-01	1	Cover, ignition	
15	72 55 376-01	3	Screw, 6x35	
16	15 13 730-01	3	Washer	
17	72 55 332-55	3	Screw, 5x22	





Ref. No	Part No.	Qty.	Description	Notes
1	16 15 320-01	1	Carburetor	
2	16 15 250-01	1	Throttle slide, 50	
3	16 15 254-01	1	Needle, K32	
4	16 15 167-01	1	Clip, needle	
5	16 15 246-01	1	Jet, main, 170	
6	16 15 217-01	1	Jet, needle, AB 265	
7	16 15 221-01	1	Jet, pilot, 52	
8	16 15 325-01	1	Fitting, cable	
9	16 15 406-01	1	Washer	
10	16 15 316-01	1	Jet, starter, 60	
11	16 15 322-01	2	Float, 2x3.5g	
12	16 15 204-01	1	Plug, drain	
13	16 15 203-01	1	Gasket, drain plug	
14	16 15 200-01	1	O-ring	
15	16 15 195-01	1	Connector, fuel fitting	
16	16 15 194-01	1	Filter screen, fuel	
17	16 15 166-01	1	Spring, slide	
18	16 15 175-01	1	Screw, mixture	
19	16 15 176-01	1	Screw, idle	
20	16 15 290-01	1	Choke, enricher	
21	16 15 231-01	1	Valve, needle	

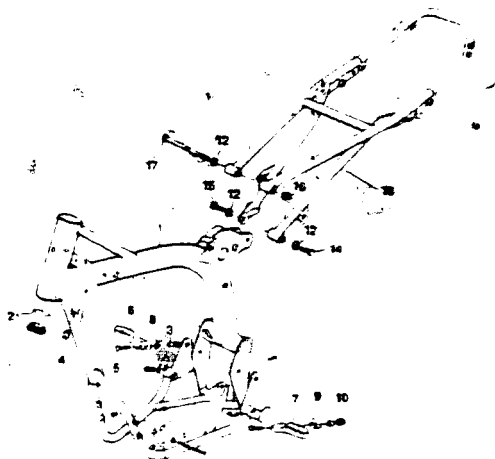




Ref. No.	Part No.	Qty	Description	Notes
2	16 15 249-01		Throttle slide, 40	
	16 15 251-01		Throttle slide, 60	
3	16 15 233-01		Needle, K16	
	16 15 253-01		Needle, K2	
	16 15 252-01		Needle, K9	
5	16 15 209-01		Jet, main, 145	
	16 15 210-01		Jet, main, 148	
	16 15 212-01		Jet, main, 152	
	16 15 213-01		Jet, main, 155	
	16 15 214-01		Jet, main, 158	
	16 15 244-01		Jet, main, 160	
	16 15 245-01		Jet, main, 165	
	16 15 247-01		Jet, main, 175	
	16 15 248-01		Jet, main, 180	
6	16 15 216-01		Jet, needle, 262	
	16 15 218-01		Jet, needle, 268	
7	16 15 219-01		Jet, pilot, 48	
	16 15 220-01		Jet, pilot, 50	
	16 15 222-01		Jet, pilot, 55	
	16 15 223-01		Jet, pilot, 58	
10	16 15 291-01		Jet starter, 65	
	16 15 228-01		Jet, starter, 70	
	16 15 292-01		Jet, starter, 75	
	16 15 295-01		Jet, starter, 80	
	16 15 327-01		Jet, starter, 45	
	16 15 328-01		Jet, starter, 50	
	16 15 329-01		Jet, starter, 55	
	16 15 316-01		Jet, starter, 60	
11	16 15 323-01		Float, 2.5g	

Husqvarna

198 511 11 11

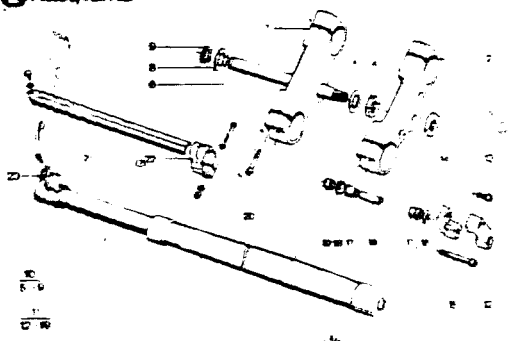


FRAME & FOOTRESTS.....C2

C1

Husqvarna

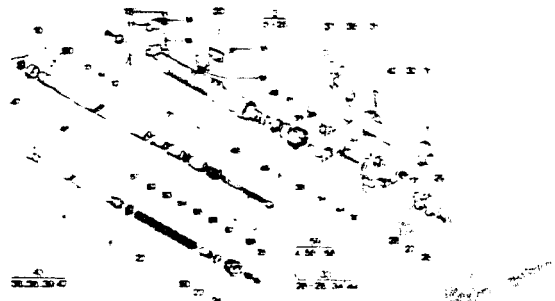
198 511 11 11



FRONT FORK (510 TC).....C3

Husqvarna

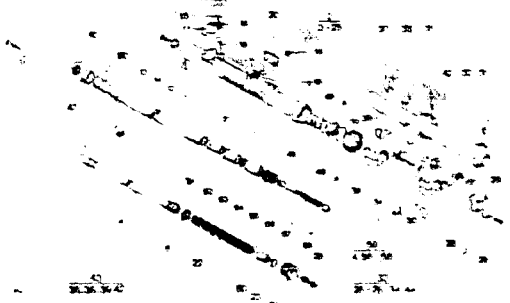
198 511 11 11



FRONT FORK (510 TE & TX 1 & 2).....C4

Husqvarna

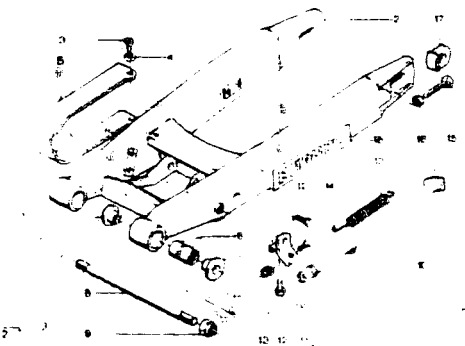
198 511 11 11



FRONT FORK (510 TE & TX 2 & 3).....C5

Husqvarna

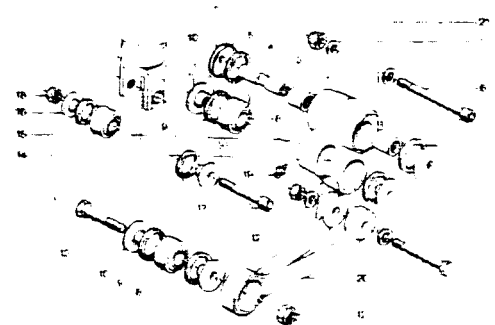
198 511 11 11



SWING ARM.....C6

Husqvarna

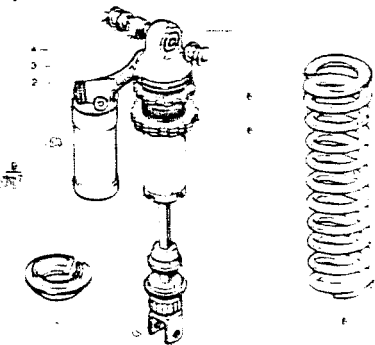
198 511 11 11



REAR SUSPENSION LINKAGE.....C7

Husqvarna

198 511 11 11



REAR SHOCK ABSORBER.....C8

Husqvarna

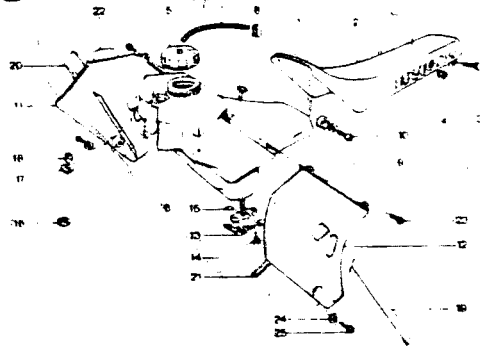
198 511 11 11



HANDLEBARS / CONTROLS / CABLES.....C9

Husqvarna

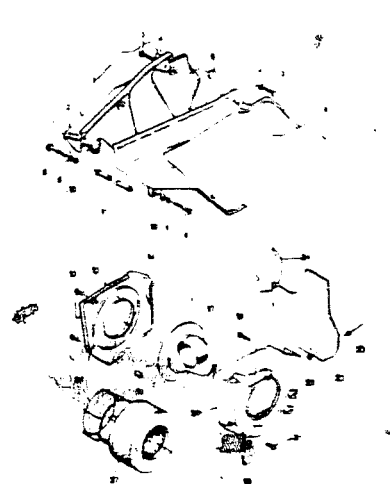
198 511 11 11



FUEL TANK/SEAT.....C10

Husqvarna

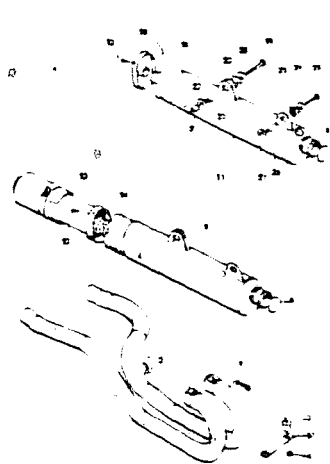
198 511 11 11



AIR FILTER & COVERS.....C11

Husqvarna

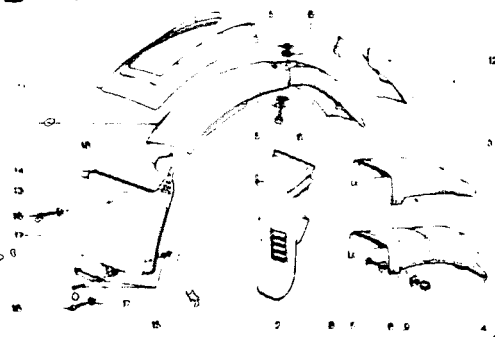
198 511 11 11



EXHAUST SYSTEM & MUFFLERS.....C12

Husqvarna

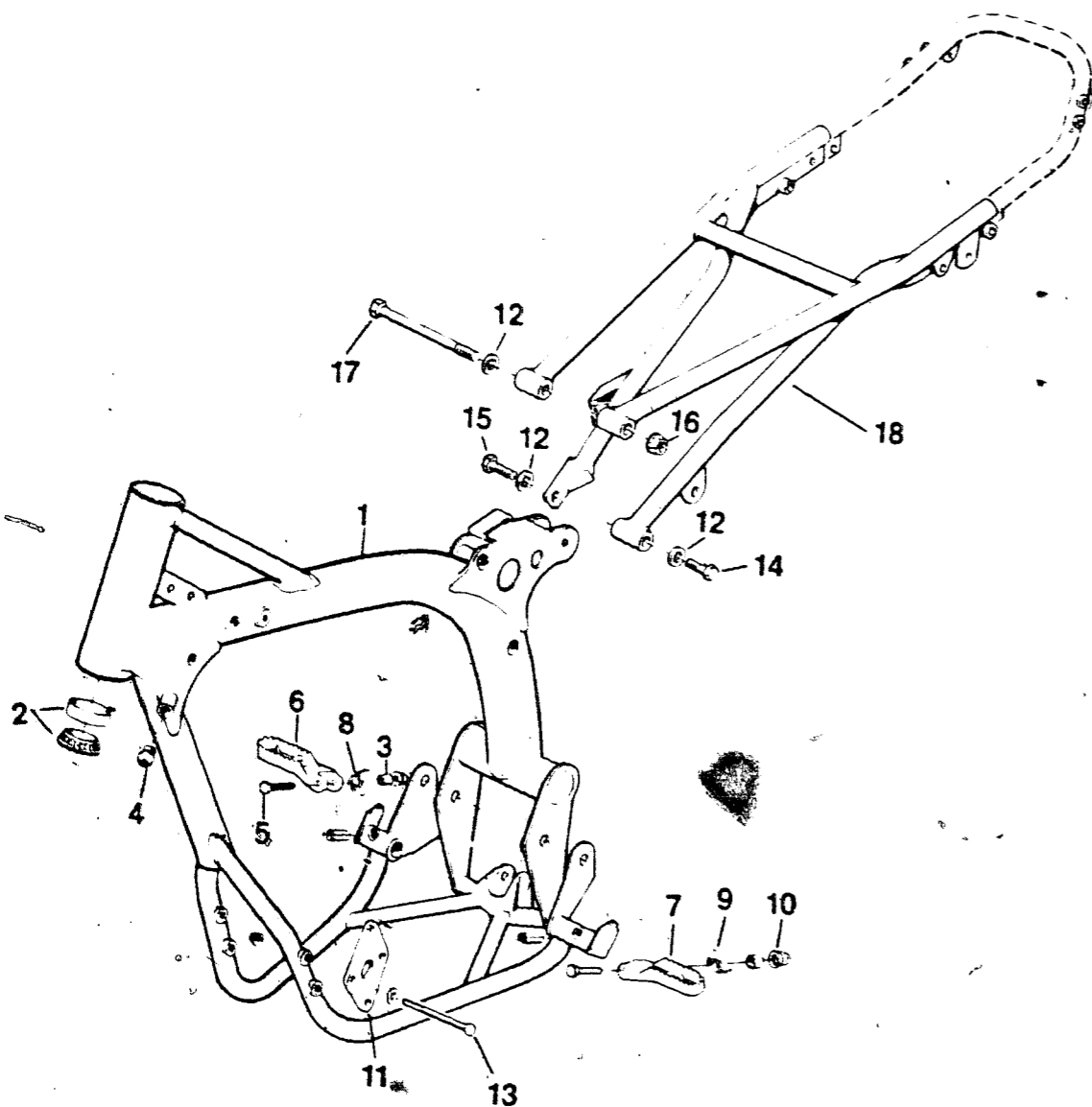
198 511 11 11

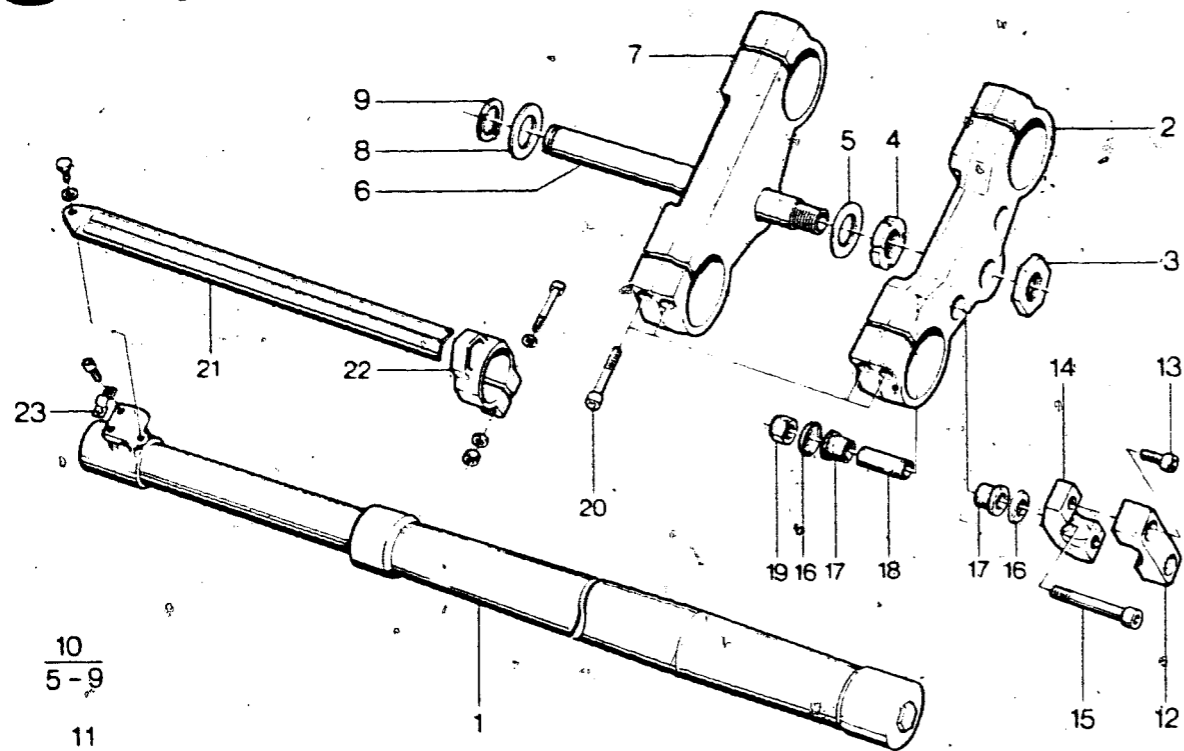


FENDERS & NUMBER PLATE.....C13

Frame & Footrests

Ref. No	Part No.	Qty.	Description	Notes
1	15 11 580-02	1	Frame	510TE & TX
	15 11 580-03	1	Frame	510TC
2	15 13 070-01	2	Bearing steering head	
3	15 13 617-01	2	Spacer	
4	15 19 537-01	4	Plug	
5	72 52 462-51	2	Bolt, 8x55	
6	15 13 152-01	1	Footpeg, right	
7	15 13 156-01	1	Footpeg, left	
8	15 13 158-01	1	Spring, footpeg right	
9	15 13 159-01	1	Spring, footpeg, left	
10	15 13 707-01	2	Nut, 8mm	
11	15 11 012-01	1	Plate, engine mount left	
	15 11 148-01	1	Plate, engine mount right	
12	73 41 164-01	9	Washer	
13	72 52 472-81	4	Bolt, 8x105	
14	72 52 461-81	1	Bolt, 8x50	
15	72 52 451-51	1	Bolt, 8x20	
16	15 13 707-01	1	Nut, 8mm	
17	72 52 477-81	1	Bolt, 8x150	
18	15 11 472-01	1	Frame, rear	510TC & TX
	15 11 583-02	1	Frame, rear	510TE

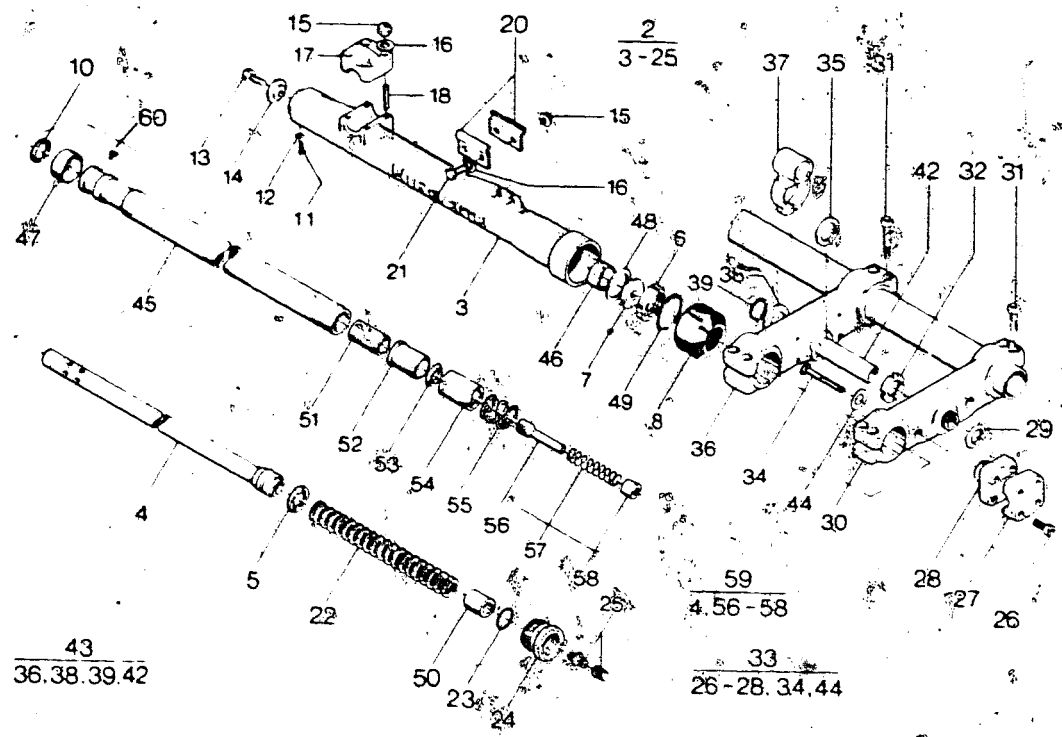




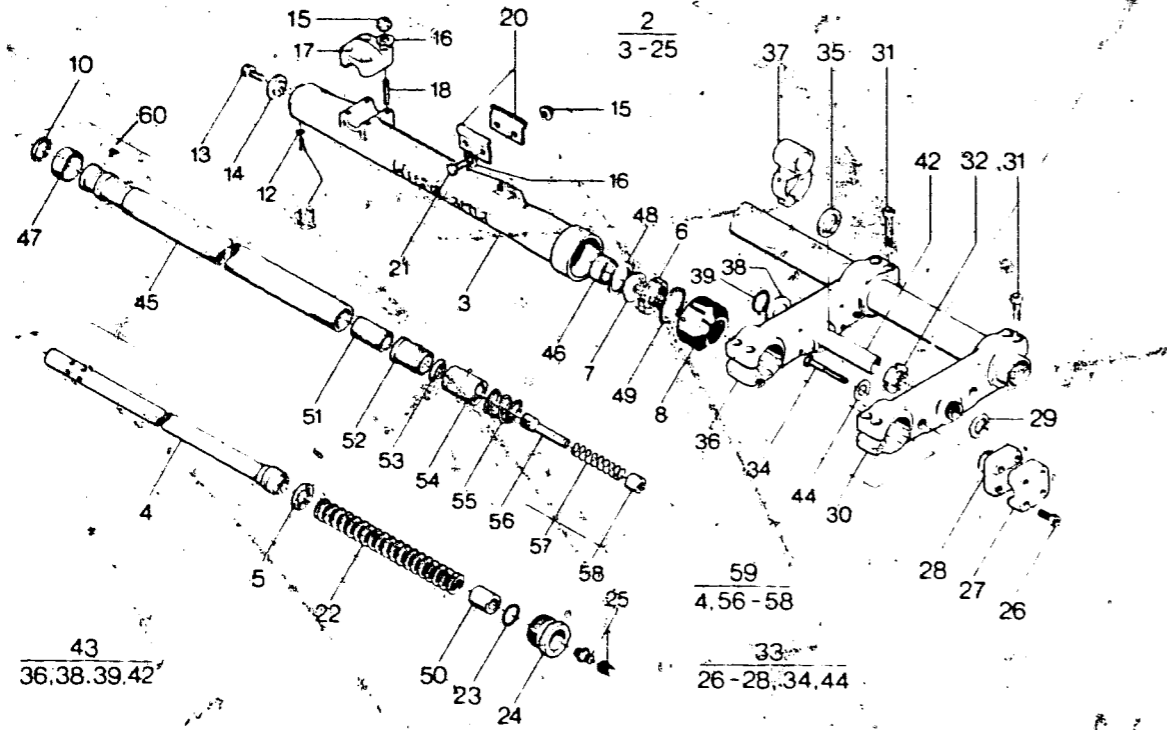
Ref. No.	Part No.	Qty.	Description	Notes
1	15 12 470-01	1	Forkleg, compl., right	
	15 12 471-01	1	Forkleg, compl., left	
2	15 12 472-01	1	Steering head, upper	
3	15 12 529-01	1	Nut	
4	15 12 327-01	1	Nut, bearing retainer	
5	15 12 528-02	1	Spacer	
6	15 12 475-01	1	Steering stem,	
8	15 12 325-01	1	Washer	
9	73 53 126-01	1	Circlip	
10	15 12 474-01	1	Steering stem clamp, lower	
11	15 12 476-01	2	Holder, handlebar, compl.	
15	15 12 479-01	2	Screw, 10x60	
16	15 12 481-01	2	Washer	
17	15 12 842-01	2	Bushing, rubber	
18	15 12 480-01	2	Sleeve	
19	73 22 120-01	2	Nut, 10mm	
20	725 54 57-01	8	Screw, 8x40	
21	15 12 483-01	2	Guard, fork leg lower	
22	15 12 484-01	1	Guide, fork guard, left	
	15 12 485-01	1	Guide, fork guard, right	
23	15 12 486-01	1	Holder, hose	
24	723 13 27-51	2	Screw	
25	734 13 39-01	4	Washer	
26	723 13 39-01	4	Screw	
27	731 23 14-01	4	Nut	

10  
5-9

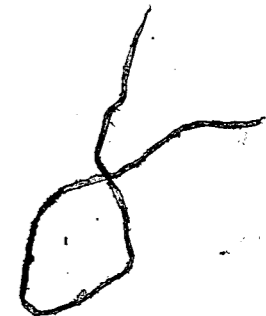
11  
12-19



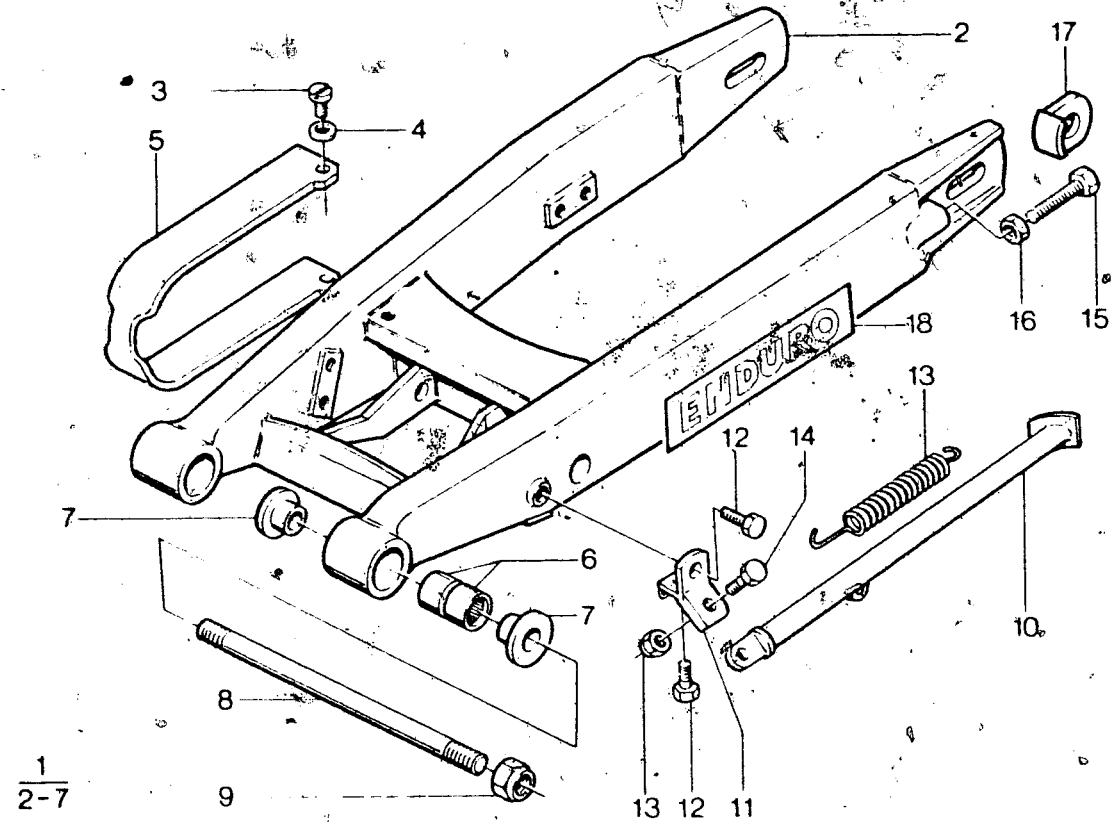
Ref. No.	Part No.	Qty.	Description	Notes
1	15 12 493-01	1	Front fork, compl.	510TX
	15 12 493-02	1	Front fork, compl.	510TE
2	15 12 448-01	1	Forkleg, compl., right	510TX
	15 12 448-02	1	Forkleg, compl., right	510TE
	15 12 495-03	1	Forkleg, compl., left	510TX
	15 12 495-02	1	Forkleg, compl., left	510TE
3	15 12 413-01	1	Forkleg, lower, right	510TX
	15 12 413-02	1	Forkleg, lower, right	510TE
	15 12 464-01	1	Forkleg, lower, left	510TX
	15 12 464-02	1	Forkleg, lower, left	510TE
4	15 12 443-01	2	Damping rod	
	15 12 488-01	2	Damping rod	Alternate
5	15 12 373-01	2	Washer, seal	
	15 12 487-01	2	Washer, seal	Alternate
6	15 12 419-01	2	Seal, fork	
7	15 12 376-01	2	Washer, support	
8	15 12 372-01	2	Scraper	
9	15 12 398-01	2	Valvering	
10	73 53 133-70	2	Circlip	
11	72 31 362-01	2	Screw, 6x8	
12	16 10 823-01	2	Washer	
13	72 52 457-51	2	Screw, 8x35	
14	15 12 161-01	2	Washer	
15	73 22 116-51	8	Nut, 6mm	
16	73 41 153-01	8	Washer	
17	15 12 379-01	2	Clamp	
18	15 12 371-01	8	Stud	
20	15 16 348-01	2	Holder, hose	
21	72 52 368-53	2	Screw, 6x16	
22	15 12 453-01	2	Spring, fork	510TE
	15 12 453-02	2	Spring, fork	510TX
23	15 13 719-01	2	O-ring	
24	15 12 440-01	2	Screw, top cap	
25	15 12 356-01	2	Valve, air	
26	72 55 374-01	8	Screw, 6x30	
27	15 13 059-01	2	Clamp	
29	15 12 329-01	1	Nut	
30	15 12 404-01	1	Clamp, steering head upper	
31	72 55 457-01	8	Screw, 8x35	
32	15 12 327-01	1	Nut	
33	15 13 141-01	2	Retainer, handlebar, compl.	
34	72 52 497-81	2	Screw, 10x35	
35	15 12 328-01	1	Spacer	
37	15 12 391-01	1	Cable guide	510TX
	15 12 391-01	2	Cable guide	510TE
38	15 12 325-01	1	Washer	
39	73 53 126-00	1	Washer	
43	15 12 409-01	1	Steering stem, lower	
44	73 41 173-01	2	Washer	
45	15 12 489-01	2	Forkleg, upper	510TX
	15 12 489-02	2	Forkleg, upper	510TE
46	15 12 414-01	2	Bushing	
47	15 12 418-01	2	Bushing	
48	15 12 415-01	2	Washer	
49	15 12 416-01	2	Circlip	
50	15 12 458-01	2	Spacer, distance	510TX
51	15 12 447-01	2	Spacer, damping	



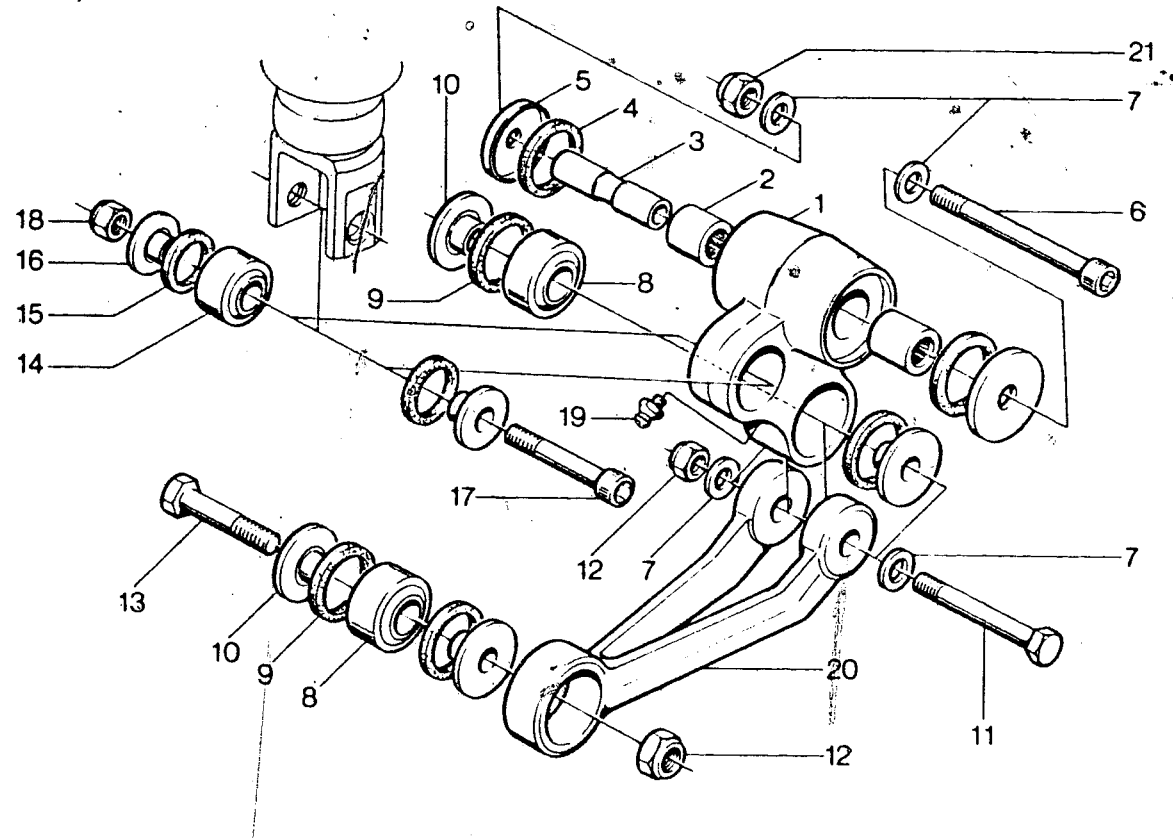
Ref. No.	Part No.	Qty.	Description	Notes
52	15 12 491-01	2	Valvesupport	
53	15 12 452-01	2	Valve	
54	15 12 490-01	2	Housing, valve	
55	15 12 446-01	2	Spring, return	510TA
	15 12 446-02	2	Spring, return	510TE
56	15 12 444-01	2	Endplug	
57	15 12 445-01	2	Spring	
58	15 12 449-01	2	Valve	
59	15 12 442-01	2	Spindle, compl.	
60	15 12 492-01	2	Bolt	



Swing Arm



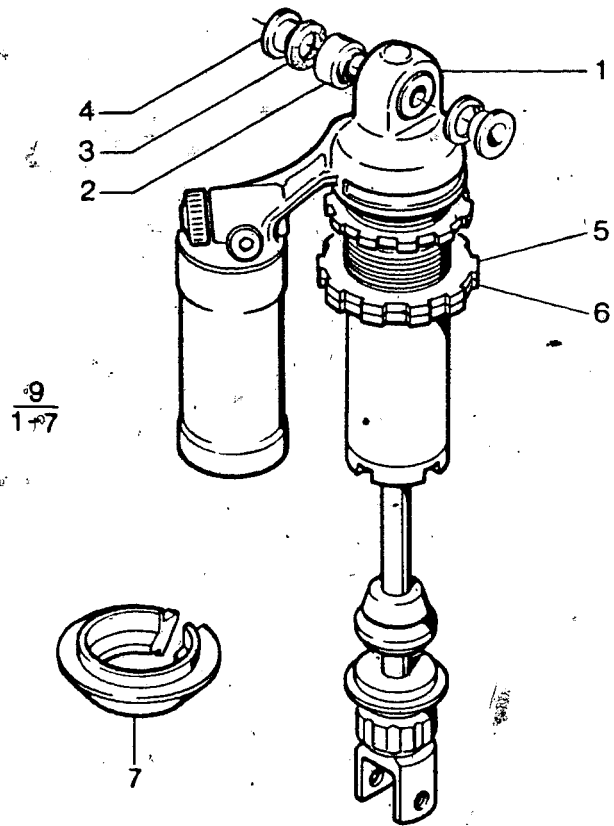
Ref. No.	Part No.	Qty.	Description	Notes
1	15 11 496-01	1	Swing arm	510TC
	15 11 496-02	1	Swing arm	510TE & TX
3	723 13 66-00	2	Screw, 6x12	
4	734 49 26-01	2	Washer, 6,7x16	
5	15 11 554-01	1	Protector	
6	15 11 277-01	4	Bearing, needle	
7	15 11 278-01	4	Bushing, swing arm bearing	
8	15 11 248-01	1	Bolt, swing arm pivot	
9	15 11 249-01	2	Nut, locking	
10	15 10 604-04	1	Stand, side	510TE & TX
11	15 15 530-02	1	Bracket, side stand	510TE & TX
12	725 24 51-51	1	Screw, 8x20	510TE & TX
13	15 13 707-01	1	Nut, lock	510TE & TX
14	725 24 55-01	1	Screw, 8x30	510TE & TX
15	725 24 60-71	2	Bolt, chain adj., 8x45	
16	731 23 18-01	2	Nut, 8mm	
17	15 16 867-01	2	Washer, adjustment	
18	15 17 850-01	2	Decal, 'Enduro'	510TE
	15 17 850-02	2	Decal, 'Cross country'	510TX
	15 17 850-03	2	Decal, 'Motocross'	510TC



Ref. No.	Part No.	Qty.	Description	Notes
1	15 11 506-01	1	Link, vertical	
2	15 11 428-01	2	Bearing, needle	
3	15 11 398-01	1	Spacer	
4	15 11 555-01	2	Gasket	
5	15 11 241-01	2	Washer, protection	
6	15 11 545-01	1	Bolt, 11x98	
7	734 11 78-01	4	Washer	
8	15 11 256-01	2	Bearing	
9	15 11 257-01	4	Gasket	
10	15 11 258-02	4	Spacer	
11	15 11 553-01	1	Bolt, 12x70	
12	15 13 705-01	2	Nut, 12x1	
13	15 11 244-01	1	Bolt, 12x10	
14	15 11 332-01	1	Bearing	
15	15 11 334-01	2	Gasket	
16	15 11 333-02	2	Spacer	
17	15 11 558-01	1	Screw, 10mm	
18	732 21 20-01	1	Nut, 10mm	
19	738 88 10-01	1	Fitting, grease nipple	
20	15 11 505-01	1	Link, horizontal	
21	732 21-22-01	1	Nut, 12mm	



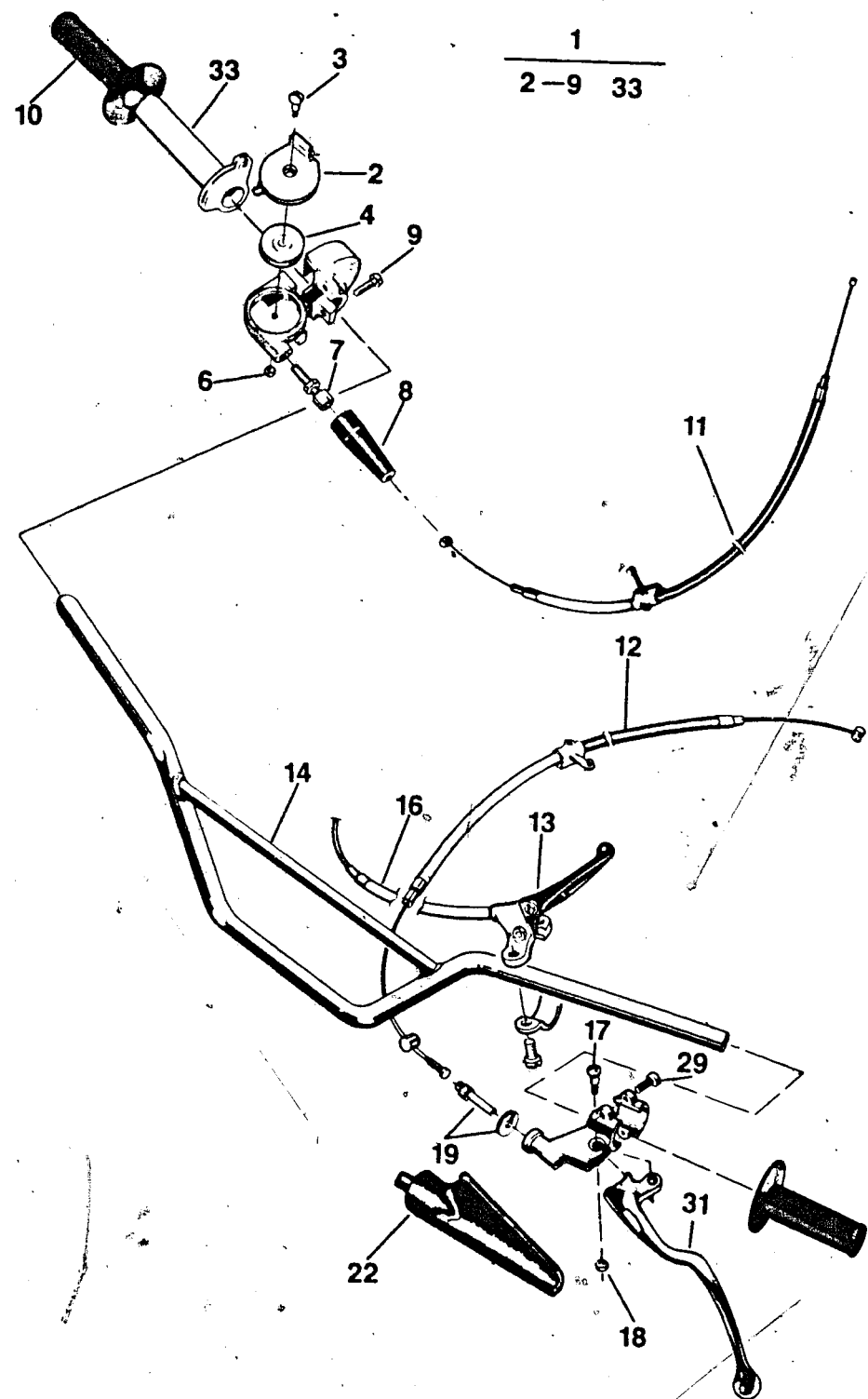
Rear Shock Absorber



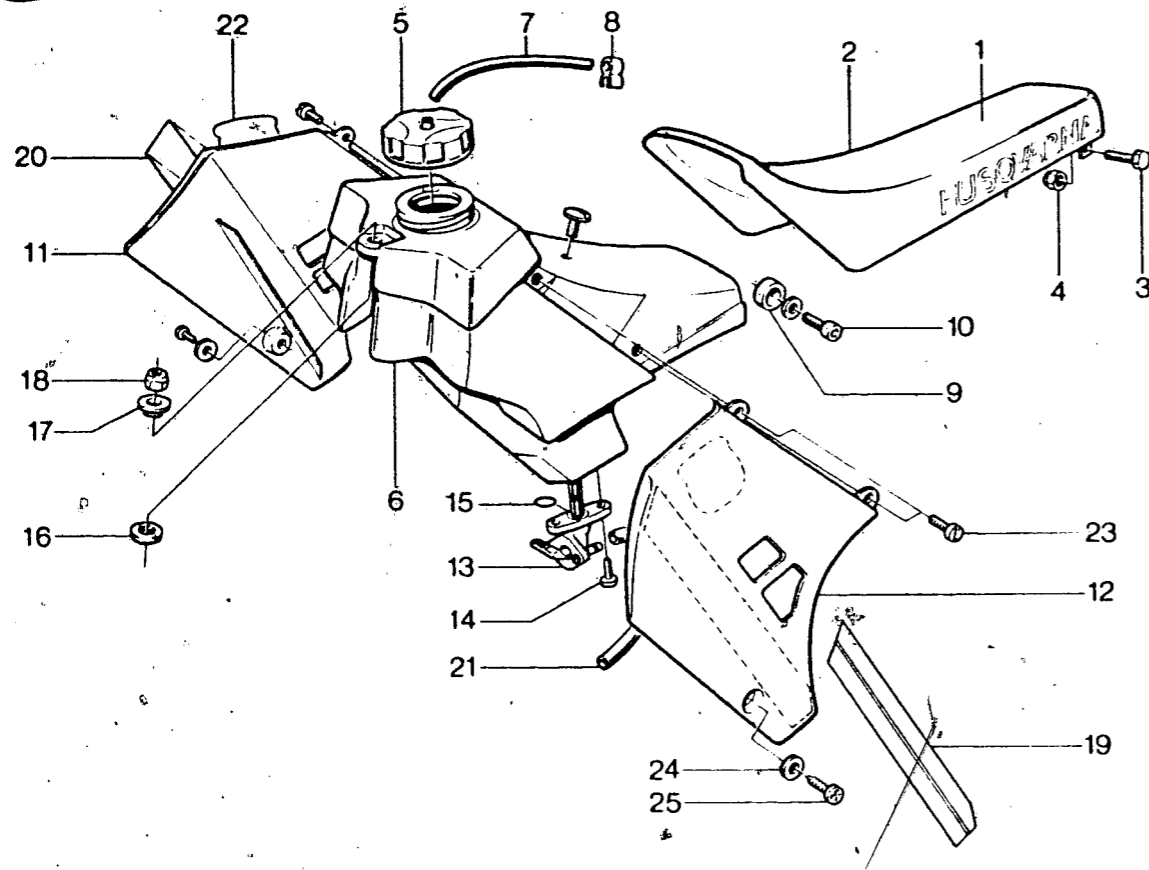
9  
1-7

Ref. No.	Part No.	Qty.	Description	Notes
2	15 11 332-01	1	Ball joint	
3	15 11 334-01	2	Seal	
4	15 11 333-01	2	Spacer	
5	15 11 328-01	1	Nut, adjusting	
6	15 11 329-01	1	Nut, adjusting	
7	15 11 574-01	1	Spring clip	
8	15 11 573-03	(1)	Spring, purple, red, purple, 4.7	
	15 11 573-01	(1)	Spring, purple, blk, purple, 4.3	
	15 11 573-02	(1)	Spring, purple, blu, purple, 4.5	
	15 11 573-04	1	Spring, purple, wht, purple, 4.9	510TE & TX
	15 11 573-05	1	Spring, blk, purple, blk, 5.1	510TC
9	15 11 509-04	1	Shock absorber	510TE & TX
	15 11 509-03	1	Shock absorber	510TC

Handlebars/Controls/Cables

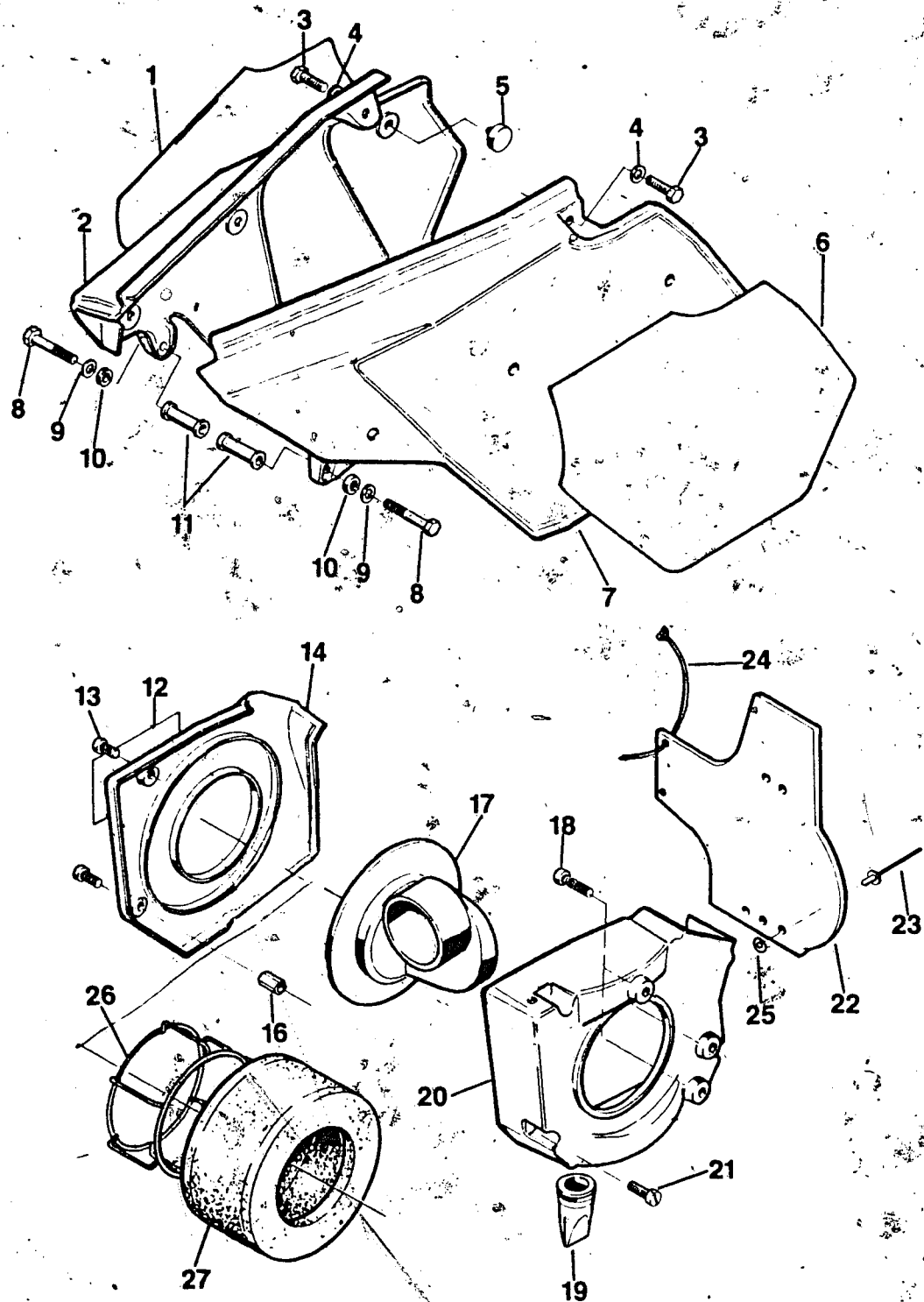


Ref. No.	Part No.	Qty.	Description	Notes
1	15 15 325-01	1	Throttle grip assy.	
2	15 15 326-01	1	Cover, throttle grip	
3	15 15 322-01	1	Screw	
4	15 15 283-01	1	Pivotroller	
6	732 21 12-01	1	Nut	
7	15 15 261-01	1	Adjuster	
8	15 15 262-01	1	Sleeve, protector	
9	723 13 29-51	2	Screw, 5x16	
10	15 15 266-01	1	Grip, rubber, right	
11	15 15 336-01	1	Throttle cable	
12	15 15 308-03	1	Clutch cable	
13	15 15 332-01	1	Lever, decompressor	
14	15 13 148-01	1	Handlebar	
15	15 15 265-01	1	Grip, rubber, left	
16	15 15 333-01	1	Decompressor cable	
17	12 13 810-01	1	Screw	
18	25 09 316-01	1	Nut	
19	12 13 821-01	1	Screw, cable adjust	
20	15 15 314-01	1	Lever, clutch, compl.	
22	15 13 142-01	1	Protector, handle	
29	20 62 368-11	2	Screw	
31	15 15 315-01	1	Handle, clutch	



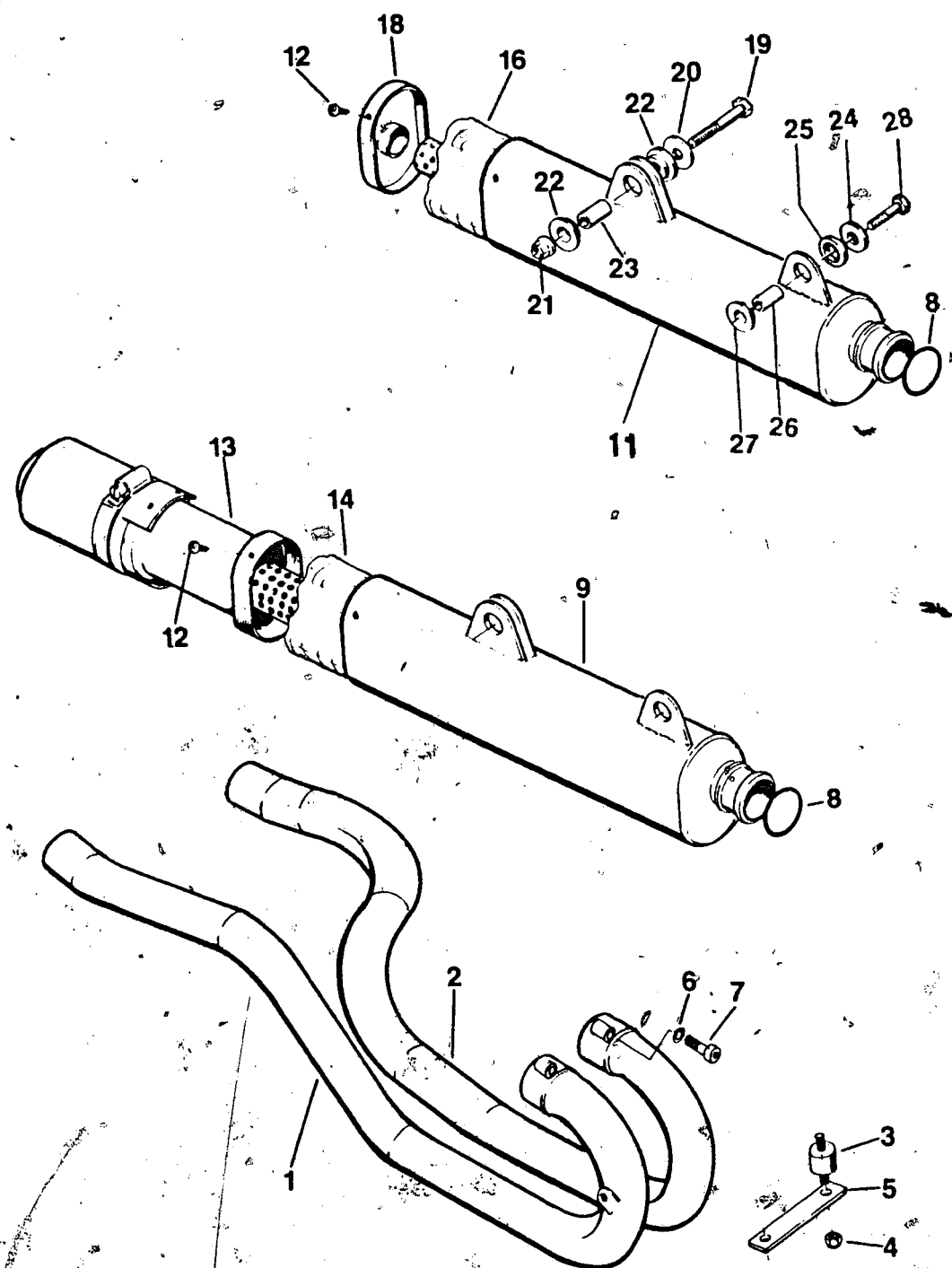
Ref. No.	Part No.	Qty.	Description	Notes
1	15 13 591-01	1	Seat	
2	15 13 592-01	1	Cover, seat	
3	725 23 74-51	2	Screw, 6x30	
4	15 13 706-01	2	Nut, 6mm	
5	15 14 108-01	1	Cap, fuel filler	
6	15 13 809-01	1	Tank, fuel	
7	15 14 078-06	1	Hose, fuel vent	
8	15 15 809-01	1	Holder, hose	
9	15 13 806-01	2	Damper, rubber	
10	725 54 51-01	2	Screw, 8x20	
11	15 13 882-01	1	Spoiler, right	
12	15 13 881-01	1	Spoiler, left	
13	15 14 109-01	1	Petcock, fuel	
14	15 14 110-01	1	Screw	
15	740 48 11-02	1	O-ring	
16	15 11 570-01	1	Washer, rubber	
17	15 11 568-01	1	Washer	
18	732 21 16-01	1	Nut	
19	15 17 955-01	1	Decal, spoiler, left	
20	15 17 954-01	1	Decal, spoiler, right	
21	15 14 057-02	1	Hose, fuel	
22	15 14 120-01	2	Decal	
23	15 13 807-01	4	Screw	
24	734 49 26-01	2	Washer	
25	729 54 14-01	2	Screw	

Air filter & Covers



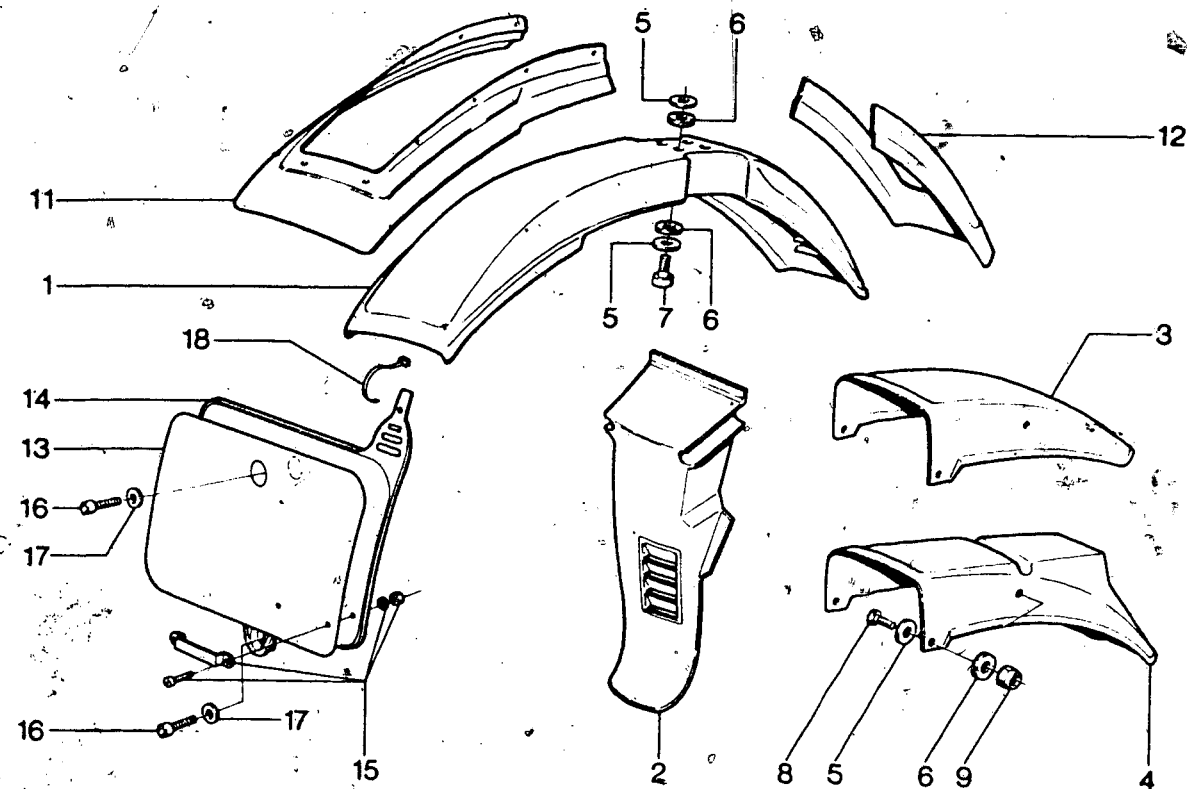
Ref. No.	Part No.	Qty.	Description	Notes
1	15 15 829-01	1	Decal, rr	
2	15 15 827-01	1	Sidecover, right	
3	72 52 368-51	1	Screw, 6x16	
4	15 13 734-01	1	Washer	
5	15 15 810-01	1	Protector, heat	
6	15 15 828-01	1	Decal, left	
7	15 15 826-01	1	Sidecover, left	
8	72 52 381-53	2	Screw, 6x55	
9	15 13 734-01	2	Washer	
10	15 18 121-01	2	Washer, rubber	
11	15 19 767-02	2	Spacer	
12	15 17 859-02	1	Decal, air box cover	
13	72 55 366-01	3	Screw, 6x12	
14	15 13 926-01	1	Cover, air box	
16	15 13 930-01	1	Spacer	
17	15 13 927-01	1	Connection, duct	
18	72 55 368-01	3	Screw, 6x16	
19	15 14 324-02	1	Valve, drain	
20	15 13 925-01	1	Air filter box	
21	72 55 366-01	3	Screw, 6x12	
22	15 13 931-01	1	Protector flap	
23	72 27 839-02	3	Rivet, pop	
24	15 19 532-02	3	Ziptie	
25	15 13 727-01	3	Washer	
26	15 15 844-01	1	Basket, air filter	
27	15 15 845-01	1	Element, air filter	

Exhaust system & Mufflers

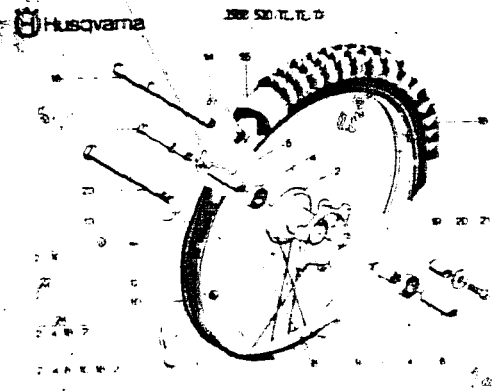


Ref. No.	Part No.	Qty.	Description	Notes
1	15 15 930-01	1	Exhaust pipe, right	
2	15 15 940-01	1	Exhaust pipe, left	
3	15 14 590-01	2	Damper, vibration	
4	15 13 707-01	4	Nut	
5	15 14 893-01	1	Bracket	
6	734 49 26-01	2	Washer	
7	725 53 74-01	2	Screw, 6x30	
8	15 14 559-01	1	O-ring	
9	15 15 915-01	2	Silencer, compl.	510TE & TX
11	15 15 914-01	2	Silencer, compl.	510TC
12	729 58 42-01	4	Screw	
13	15 15 928-01	2	Spark arrestor	510TE & TX
14	15 13 336-05	2	Packing	510TE & TX
16	15 13 336-07	2	Packing	510TC
18	15 15 923-01	2	Cap, muffler	510TC
19	725 24 63-81	2	Screw, 8x60	
20	15 14 661-01	4	Washer	
21	15 13 707-01	2	Nut, 8mm	
22	15-14 662-01	4	Bushing, rubber	
23	15 14 663-01	2	Spacer	
24	15 13 743-01	2	Washer	
25	15 13 414-01	2	Washer, rubber	
26	15 15 108-01	2	Spacer	
27	15 14 032-02	2	Bushing, rubber	
28	725 53 72-01	2	Screw, 6x25	

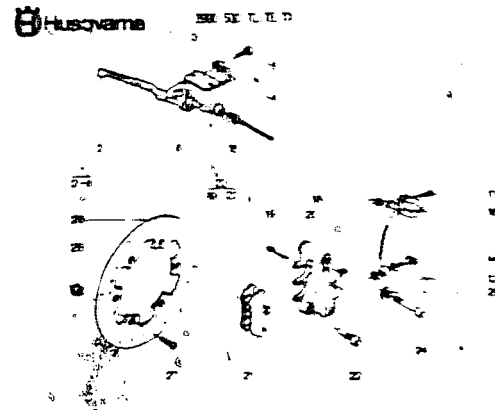
Fenders & Number plate



Ref. No.	Part No.	Qty.	Description	Notes
1	15 18 047-02	1	Fender, front	510TE & TX
	15 18 051-01	1	Fender, front	510TC
2	15 13 746-01	1	Splash shield, rear	
3	15 13 587-01	1	Fender, rear	510TC & TX
4	15 18 194-01	1	Fender, rear	510TE
5	15 13 709-01	8	Washer	
6	15 18 121-01	8	Washer, rubber	
7	725 53 72-01	4	Screw, 6x25	
8	725 23 68-51	4	Screw, 6x16	
9	732 21 16-01	4	Nut	
10	15 18 050-01	Opt	Extension, front fender	
11	15 18 049-01	Opt	Extension, front fender, rr	
12	15 17 959-01	1	Decal, number plate, yellow	510TC & TX
	15 17 959-02	Opt	Decal, number plate, white	510TC & TX
	15 17 959-03	Opt	Decal, number plate, green	510TC & TX
14	15 18 233-01	1	Number plate	510TC & TX
15	15 18 234-01	1	Guide, brake hose	510TC & TX
16	723 13 27-51	1	Screw, 5x12	
17	734 48 80-01	1	Washer	
18	15 19 532-05	1	Ziptie	

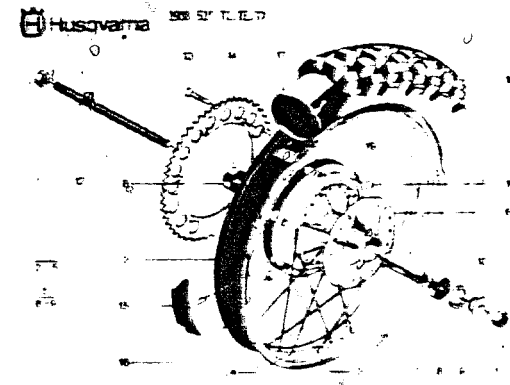


FRONT WHEEL & HUB.....D2

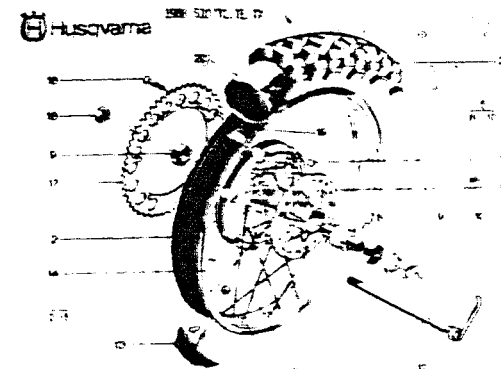


FRONT MASTER CYLINDER & BRAKE...D3

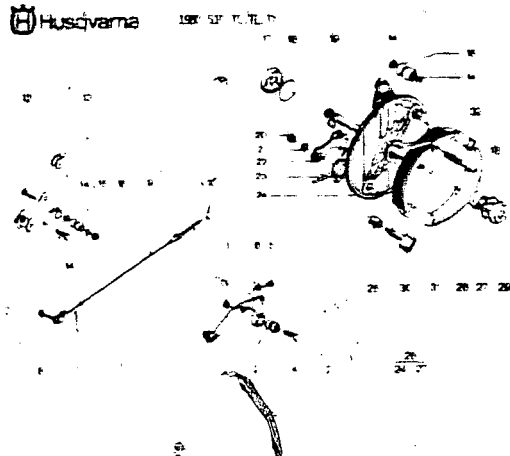
D1



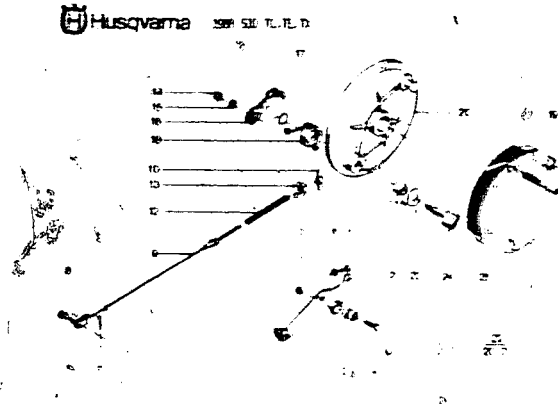
REAR WHEEL & HUB .....D4



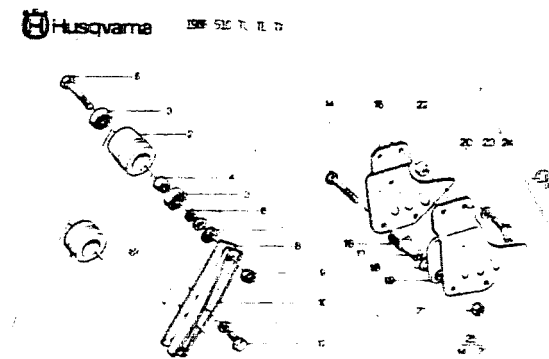
REAR WHEEL & HUB .....D5



REAR BRAKE & PEDAL .....D6



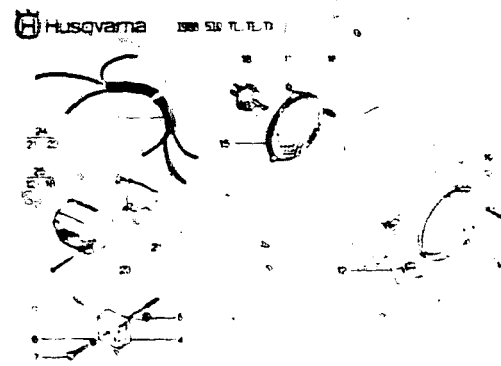
REAR BRAKE & PEDAL .....D7



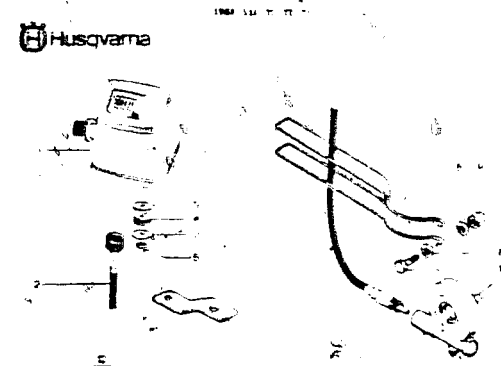
CHAIN GUIDES .....D8



CHAIN GUIDES .....D9

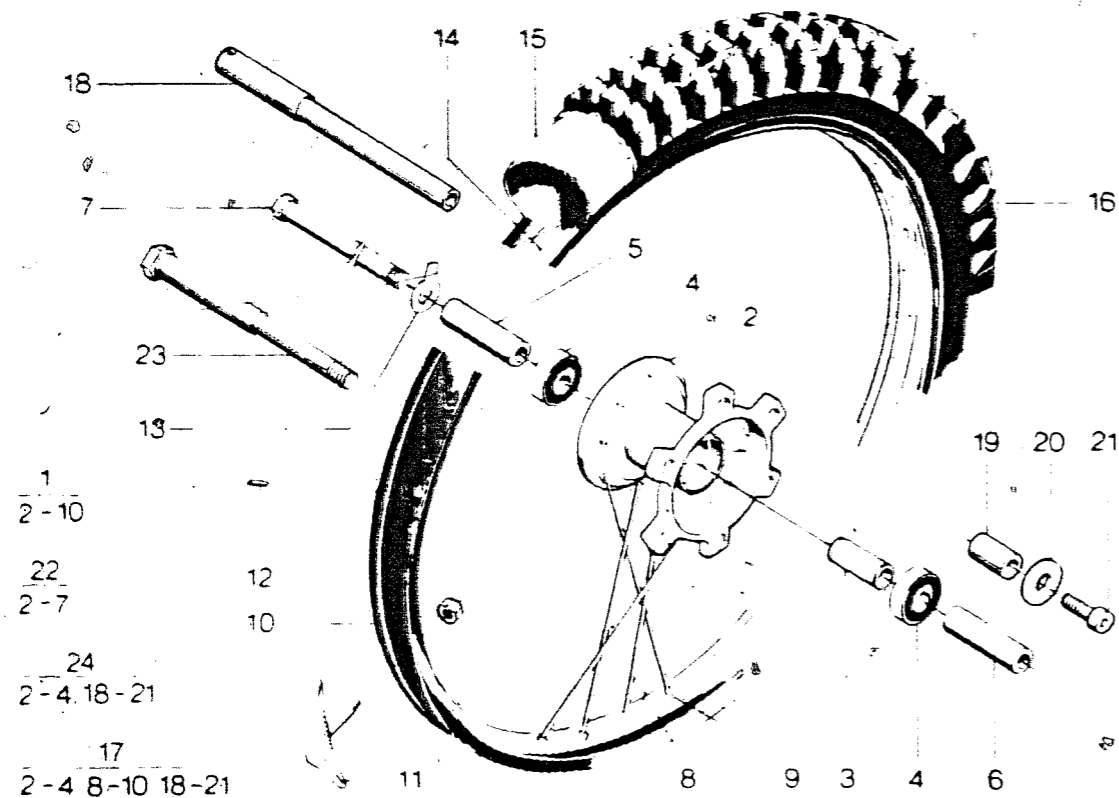


HEADLIGHT & TAILLIGHT.....D10



METER.....D11

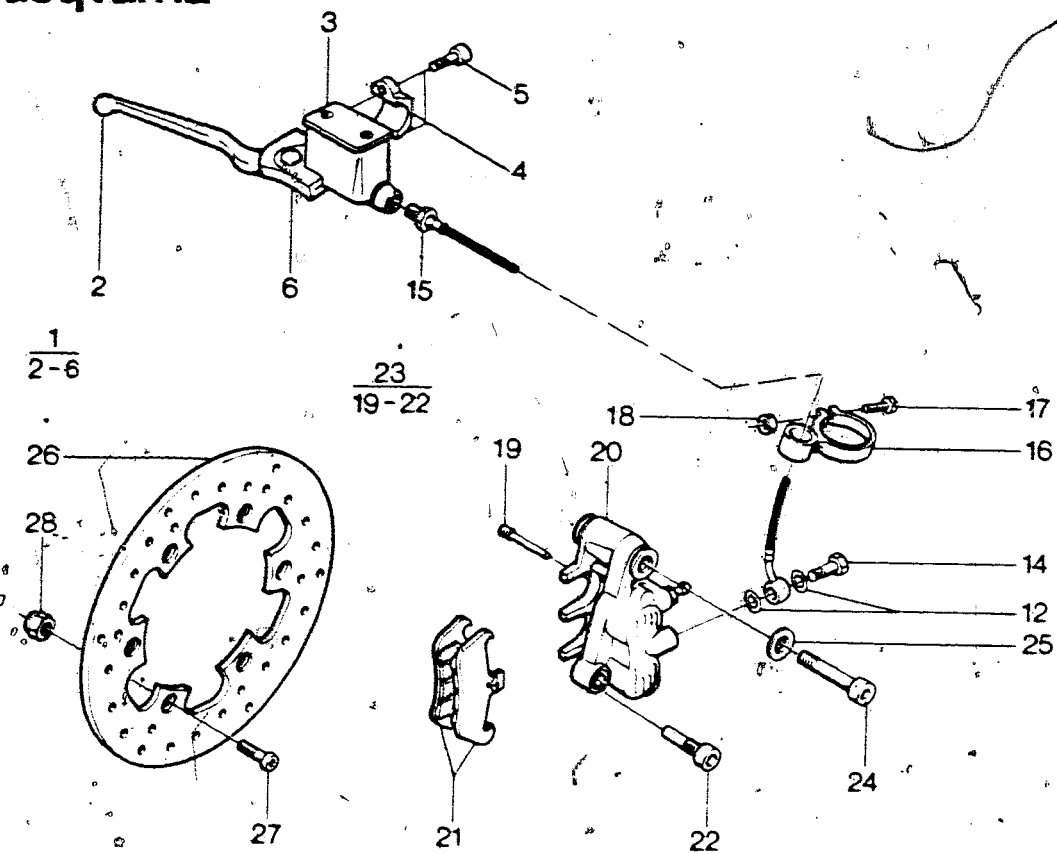
Front Wheel & Hub



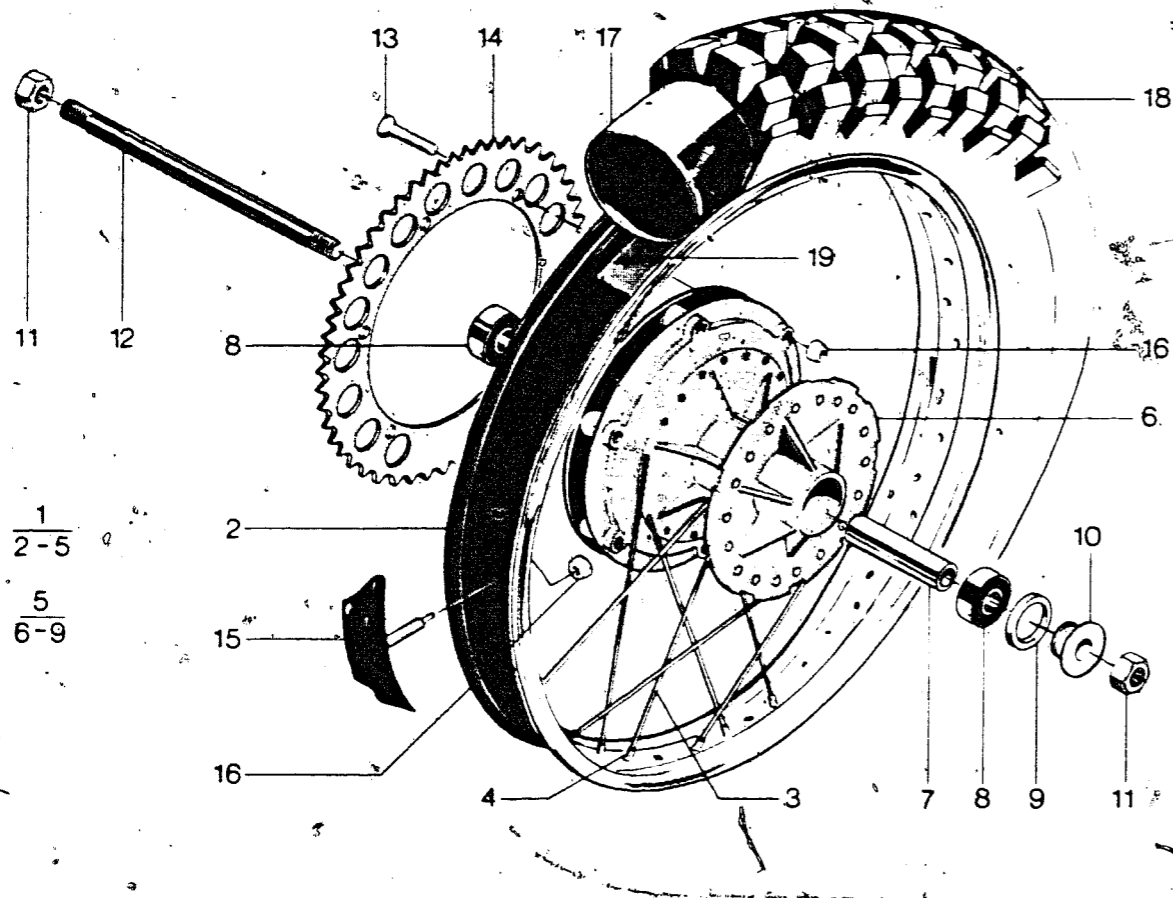
Ref. No.	Part No	Qty	Description	Notes
1	15 17 975-01	1	Wheel, front compl	510TE & TX
2	15 16 368-01	1	Sleeve, front hub	
3	15 16 350-01	1	Spacer, front hub	
4	728 23 02-34	2	Bearing	
5	15 16 352-01	1	Spacer, front hub	510TE & TX
6	15 16 342-01	1	Nut	510TE & TX
7	15 16 351-01	1	Shaft, front axle	510TE
8	15 16 321-01	36	Spoke, front wheel	
9	15 16 219-01	36	Nipple, spoke	
10	15 16 320-01	1	Rim, front wheel	
11	15 16 144-01	1	Rimlock	510TC & TX
12	720 12 32-00	16	Pin	510TE
13	15 16 355-01	1	Washer, tab	
14	15 16 029-01	1	Rimband	
15	15 16 028-01	1	Tube, inner, front	
16	15 16 907-01	1	Tire, front, Metzeler	MAR90x21
17	15 17 977-01	1	Wheel, front, compl	510TC
18	15 16 375-01	1	Axle, front wheel	510TC
19	15 16 376-01	1	Spacer, front wheel	510TC
20	734 11 73-01	1	Washer	510TC
21	725 24 91-51	1	Screw, W F	510TC
22	15 16 323-01	1	Hub, compl	510TE & TX
23	15 16 338-01	1	Axle, shaft, front	510TA
24	15 17 978-01	1	Hub, front, compl	510TC
--	15 17 780-01	Opt	Spoke kit	
--	15 19 902-01	Opt	Nipple kit	



Front master cylinder & brake

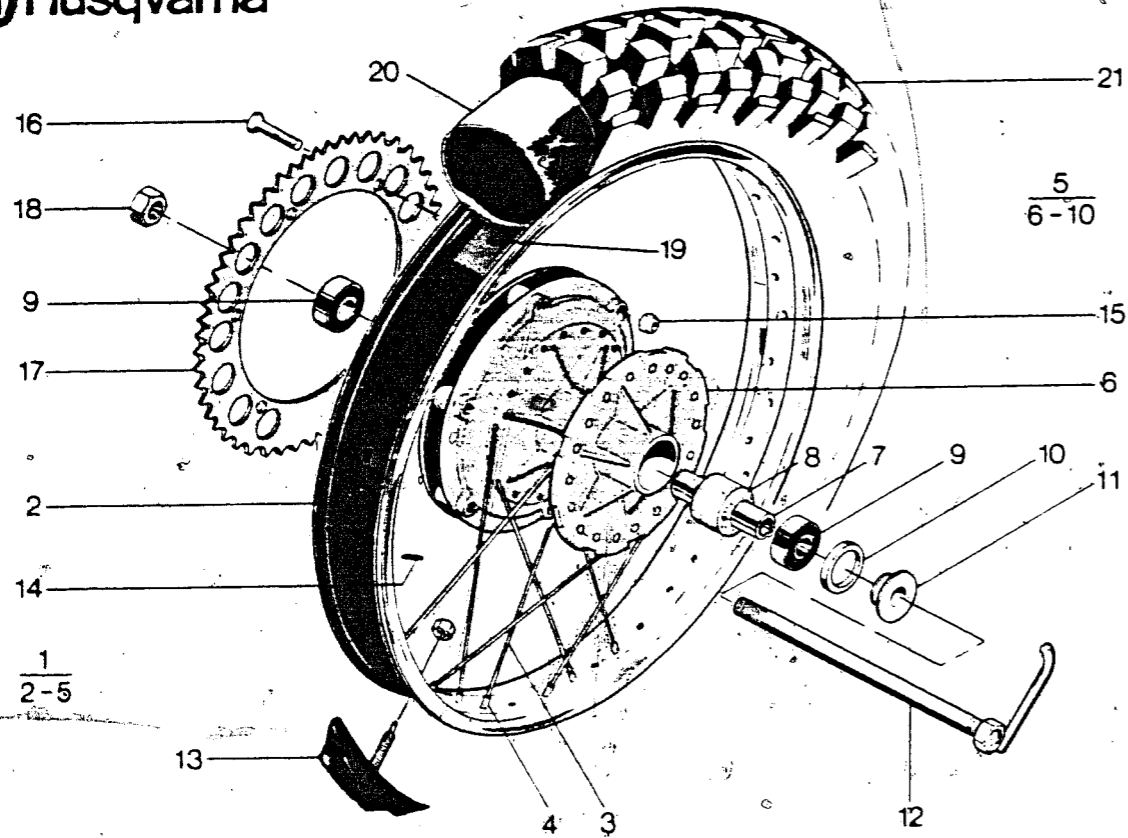


Ref. No.	Part No.	Qty.	Description	Notes
1	15 16 343-01	1	Master cylinder, front brake	
2	15 16 346-01	1	Lever, front brake	
6	15 16 356-01	1	Protector, brake lever	
12	15 16 371-01	4	Washer, copper	
14	15 16 370-01	1	Screw, oil	
15	15 16 367-01	1	Hose, brake line	510TC & TX
	15 16 367-02	1	Hose, brake line	510TE
	15 16 374-01	1	Hose, brake line	510TC
16	15 12 391-01	1	Hose guide	510TE
17	723 13 33-01	2	Screw, 5x25	510TE
18	731 23 14-01	2	Nut	510TE
19	15 16 364-01	1	Pin, locking	
21	15 16 363-01	1	Pad set, front brake	
22	53257	1	Bolt, caliper mount	
23	15 16 362-01	1	Caliper assy., front brake	
24	725 54 95-51	1	Screw, caliper mount, 10x50	
25	734 11 71-01	1	Washer	
26	15 16 926-01	1	Disc rotor, front	
27	15 16 369-01	6	Screw, 6x20	
28	15 13 706-01	6	Nut	
--	15 17 983-02	Opt	Caliper overhaul kit	
--	15 17 983-04	Opt	Master cylinder overhaul kit Brembo	

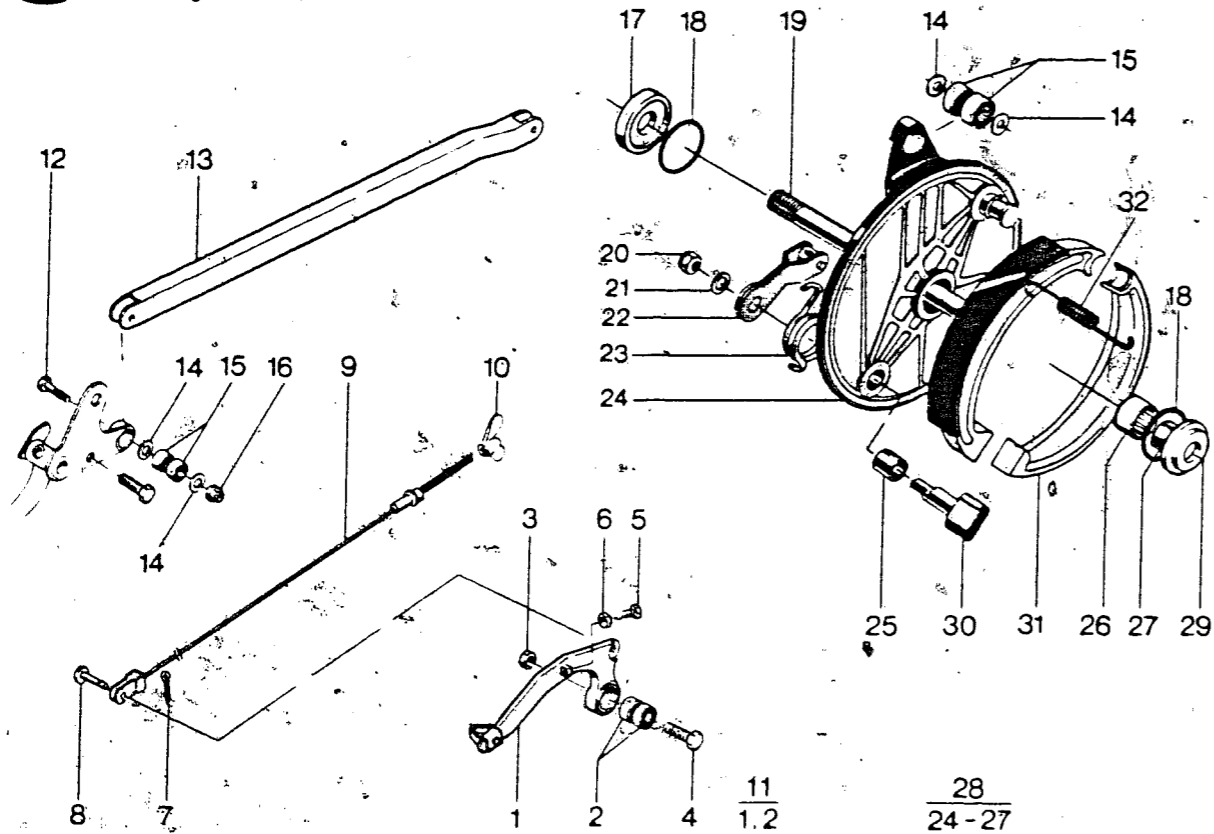


Ref. No.	Part No.	Qty.	Description	Notes
1	15 17 813-01	1	Wheel assy, rear	
2	15 16 827-01	1	Rim, rear wheel	
3	15 16 828-02	36	Spoke	
4	15 16 829-01	36	Nipple, spoke	
5	15 17 809-01	1	Hub assy, rear, compl.	
6	15 16 817-01	1	Sleeve, rear hub	
7	15 16 752-01	1	Sleeve, distance	
8	738 23 02-34	2	Bearing, ball	
9	15 13 718-01	1	Seal	
10	15 16 866-02	1	Spacer	
11	15 16 598-01	2	Nut	
12	15 15 524-02	1	Shaft, rear axle	
13	725 24 55-51	6	Bolt, 8mm	
14	15 16 852-03	1	Sprocket, t=52	
15	15 16 772-01	2	Rimlock	
16	732 21 18-01	8	Nut, 8mm	
17	15 16 508-01	1	Innertube	
18	15 16 885-01	1	Tire, rear, Metzeler 4.50x18	
19	15 16 029-01	1	Rimband	
14	15 16 852-01	Opt	Sprocket, rear, t=48	
	15 16 852-04	Opt	Sprocket, rear, t=54	
	15 16 852-05	Opt	Sprocket, rear, t=56	
--	15 19 952-01	Opt	Spoke kit	
--	15 19 938-01	Opt	Nipple kit	

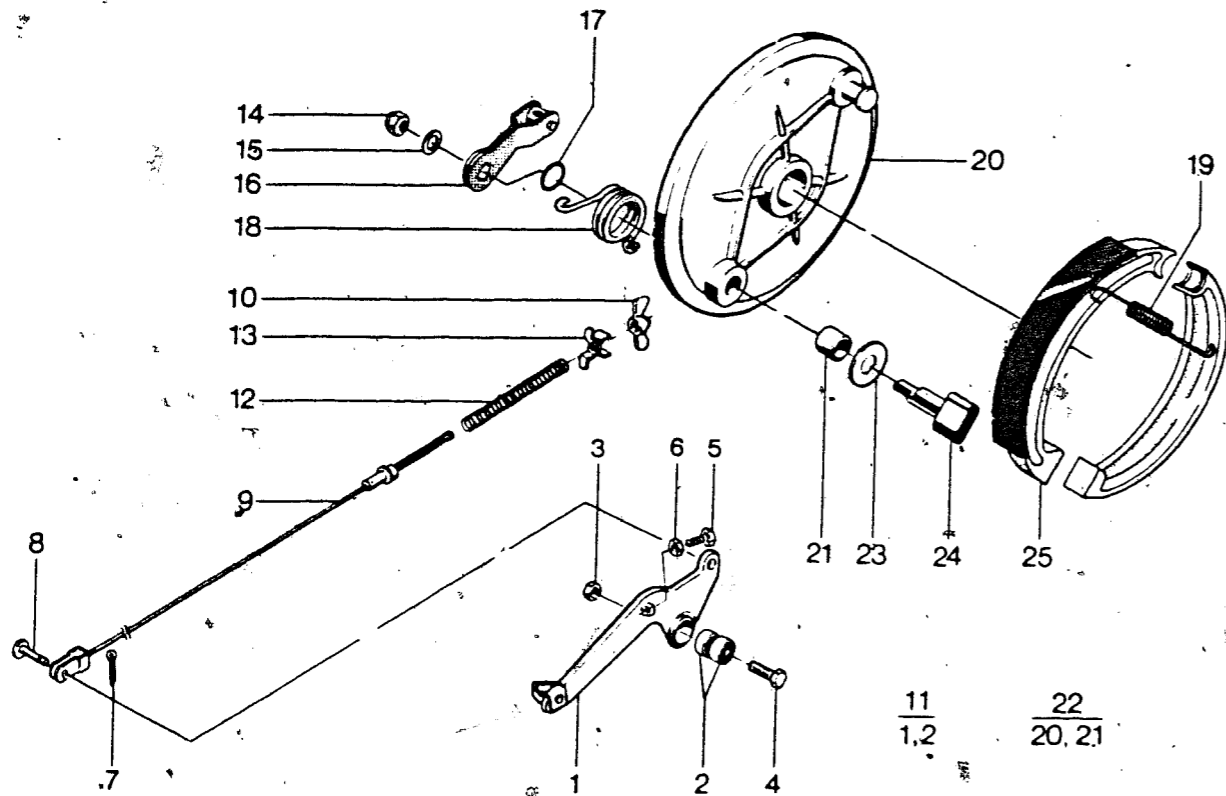
Rear wheel & Hub (510 TE & TX)



Ref. No.	Part No.	Qty.	Description	Notes
1	15 16 888-01	1	Wheel, rear, compl.	
2	15 16 827-01	1	Rim, front wheel	
3	15 16 828-02	36	Spoke, rear wheel	
4	15 16 829-01	36	Nipple, spoke	
5	15 16 911-01	1	Hub, rear wheel, compl.	
6	15 16 854-01	1	Sleeve, rear hub	
7	15 16 752-01	1	Sleeve, distance	
8	15 16 300-01	1	Spacer holder	
9	728 23 02-34	2	Bearing, ball	
10	15 13 718-01	1	Seal	
11	15 16 866-01	1	Spacer	
12	15 15 540-01	1	Shaft, rear axle	
13	15 16 772-01	2	Rimlock	510TX
14	720 12 32-00	18	Pin	
15	732 21 18-01	6	Nut	
16	725 24 55-51	6	Bolt	
17	15 16 852-01	1	Sprocket, rear, t=48	
	15 16 852-03	Opt.	Sprocket, rear, t=52	
	15 16 852-04	Opt.	Sprocket, rear, t=54	
	15 16 852-05	Opt.	Sprocket, rear, t=56	
18	15 16 598-01	1	Nut	
19	15 16 029-01	1	Rimband	
20	15 16 508-01	1	Innertube	
21	15 16 883-01	1	Tire, rear, Metzeler, 4.50x18	
--	15 19 952-01	Opt	Spoke kit	
--	15 19 938-01	Opt	Nipple kit	

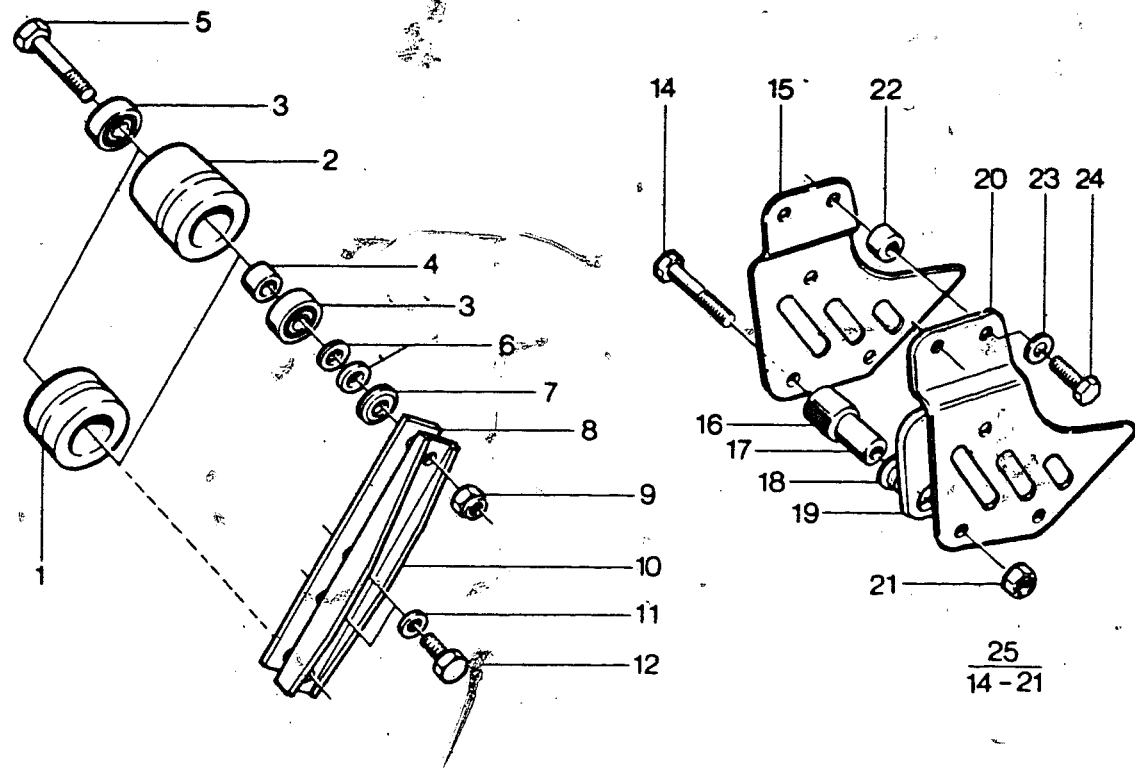


Ref. No.	PartNo.	Qty.	Description	Notes
2	738 21 98-04	2	Bearing	
3	732 21 18-01	1	Nut, 8mm	
4	724 24 55-51	1	Screw, 8x30	
5	725 23 71-51	1	Screw, 6x22	
6	732 21 16-01	1	Nut	
7	721 61 50-01	1	Split pin	
8	15 16 289-01	1	Bolt	
9	15 11 303-01	1	Cable, rear brake	
10	15 15 554-01	1	Nut	
11	15 15 510-01	1	Pedal, rear brake compl.	
12	725 23 74-51	1	Screw, 6x30	
13	15 15 511-01	1	Arm, brake stay	
14	734 11 53-41	2	Washer	
15	738 23 02-34	2	Bearing	
16	732 21 16-01	1	Nut	
17	15 15 519-01	1	Seal	
18	15 11 242-01	2	Ring	
19	15 15 524-01	1	Shaft, rear axle	
20	732 21 18-01	1	Nut	
21	734 11 64-01	1	Washer	
22	15 15 515-01	1	Spring	
25	15 16 859-01	1	Bushing	
26	15 11 428-01	1	Bearing, needle	
27	15 15 518-01	1	Spacer	
28	15 15 522-01	1	Plate, rear brake backing	
29	15 15 523-01	1	Spacer	
30	15 15 514-01	1	Cam, rear brake	
31	15 16 788-02	2	Shoe, rear brake	
32	15 15 547-01	2	Spring, brake shoe	

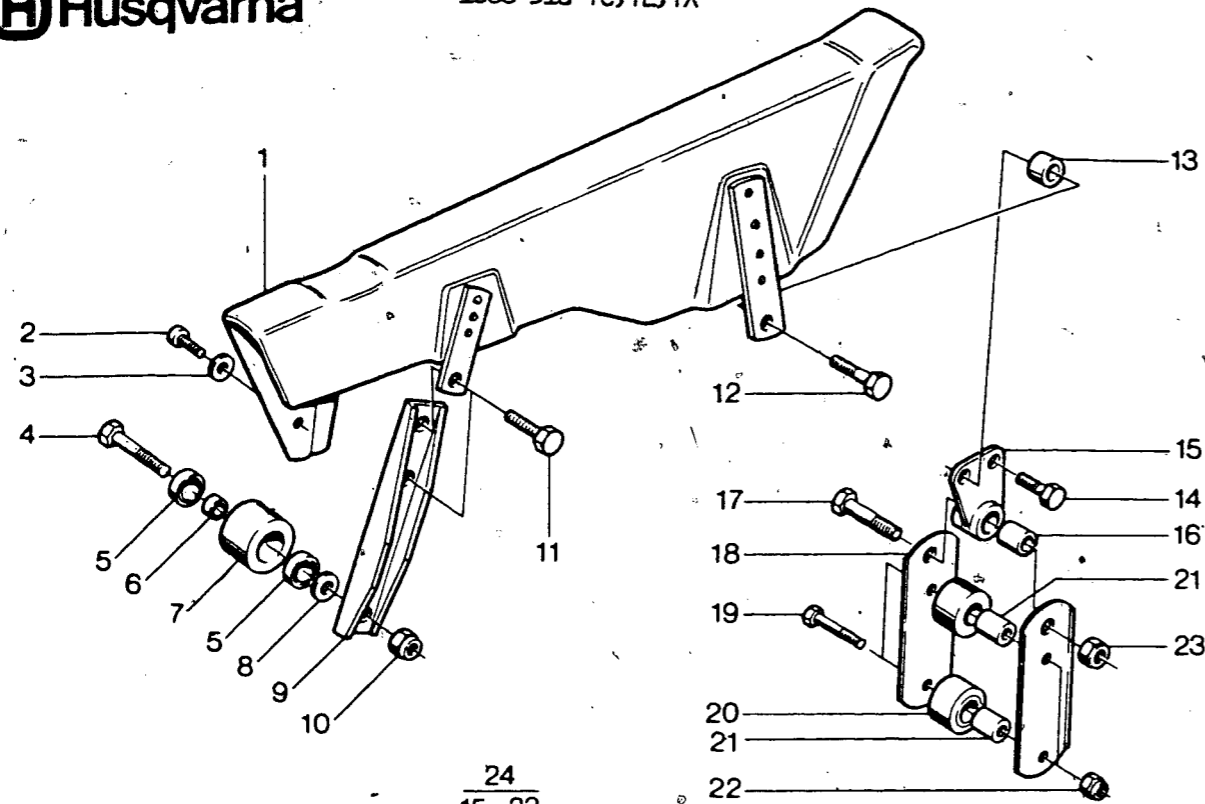


Ref. No.	Part No.	Qty.	Description	Notes
2	738 21 98-04	2	Bearing	
3	732 21 18-01	1	Screw, 8x30	
4	725 24 55-51	1	Nut, 8mm	
5	725 23 86-51	1	Screw, 6x16	
6	732 21 16-01	1	Nut, 6mm	
7	721 61 50-01	1	Splitpin	
8	15 16 289-01	1	Bolt	
9	15 11 303-03	1	Cable, rear brake	
10	15 15 554-01	1	Nut	
11	15 15 528-01	1	Pedal, rear brake	
12	15 16 898-01	1	Spring	
13	15 16 897-01	1	Holder, cable	
14	732 21 18-01	1	Nut	
15	734 11 64-01	1	Washer	
16	15 16 723-02	1	Lever, rear brake	
17	15 16 299-01	1	Seal	
18	15 15 535-01	1	Spring	
19	15 16 547-01	1	Spring, brake shoe	
21	15 16 859-01	1	Bushing	
22	15 16 891-01	1	Plate assy, rear brake backing	
23	15 16 836-01	1	Washer	
24	15 16 886-01	1	Cam, rear brake	
25	15 16 543-01	2	Shoe, rear brake	

Chain guides (510 TC & TX)



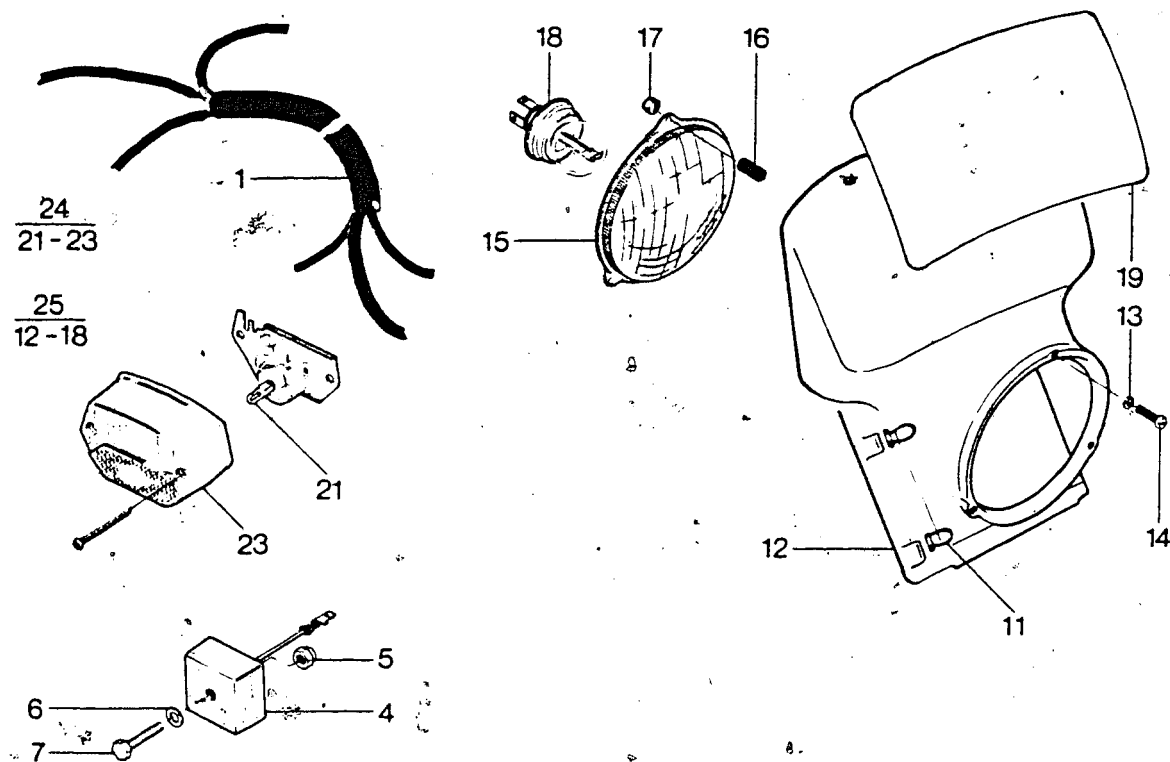
Ref. No.	Part No.	Qty.	Description	Notes
1	15 11 310-01	1	Roller, chain guide lower	
2	15 11 310-02	1	Roller, chain guide upper	
3	738 21 98-04	4	Bearing, ball	
4	15 11 311-01	2	Spacer	
5	725 24 59-51	2	Screw, 8x40	
6	734 49 66-03	2	Washer	
7	15 11 313-02	2	Washer, chain guide	
8	15 11 452-01	1	Plate, wear	
9	732 21 18-01	2	Nut, 8mm	
10	15 11 312-02	1	Plate, chain guide mount	
11	734 11 64-01	2	Washer	
12	725 24 51-51	2	Screw, 8x20	
14	725 23 79-51	3	Screw, 6x45	510TC
16	15 11 317-01	3	Roller, chain guide	510TC
17	15 11 286-01	3	Spacer	510TC
18	15 11 313-01	6	Washer	510TC
19	15 11 288-01	2	Plate, wear	510TC
21	15 13 706-01	3	Nut, 6mm	510TC
22	15 15 424-01	2	Spacer	510TC
23	734 11 64-01	2	Washer	510TC
24	725 24 59-01	2	Screw, 8x30	510TC
25	15 11 447-01	1	Chain guide compl.	510TC



Ref. No.	Part No.	Qty.	Description	Notes
1	15 18 227-03	1	Chain guide	510TE
2	725 23 64-53	1	Screw, 6x10	510TE
3	15 13 734-01	1	Washer	510TE
4	725 24 59-51	1	Screw, 8x40	510TE
5	738 21 98-04	2	Ball bearing, 6082RS	510TE
6	15 11 311-01	1	Spacer	510TE
7	15 11 310-01	1	Roller, chain guide	510TE
8	734 49 66-03	1	Washer	510TE
9	15 11 395-02	1	Plate, chain guide mount	510TE
10	732 21 18-01	1	Nut	510TE
11	725 24 51-51	2	Screw, 8x20	510TE
12	725 24 57-51	1	Screw, 8x35	
13	15 15 457-01	1	Spacer	
14	725 24 51-51	1	Screw, 8x20	
15	15 15 500-01	1	Plate, chain guide mount	
16	15 15 506-01	1	Bushing, elastic	
17	725 24 57-51	1	Screw, 8x35	
19	725 23 76-51	2	Screw, 6x35	
20	15 11 317-01	2	Roller, chain guide	
21	15 15 413-01	2	Sleeve, distance	
22	732 21 16-01	2	Nut, 6mm	
23	732 21 18-01	1	Nut, 8mm	
24	15 15 505-01	1	Chain guide, compl.	

**NOTE:** For front chain guide on model 510TX, refer to chain guide for models 510TC & TX.

Headlight & taillight



Ref. No.	Part No.	Qty.	Description	Notes
1	15 17 416091	1	Harness	
4	16 14 757-01	1	Regulator, voltage	
5	732 21 16-01	2	Nut, 6mm	
6	734 11 53-01	2	Washer	
7	725 23 76-51	1	Screw, 6x35	
11	15 17 516-01	3	O-ring	
12	15 17 511-01	1	Headlight housing	
13	734 11 46-01	3	Washer	
14	723 13 39-01	3	Screw, 5x25	
15	15 17 488-01	1	Lens, headlight	
16	15 14 078-05	3	Tube	
17	722 21 14-01	3	Nut	
18	15 19 615-01	1	Nut	
19	15 19 787-01	1	Decal, number plate, yellow	
21	15 17 533-01	1	Bulb, 12V-4W	
23	15 17 888-01	1	Lens	
24	15 17 535-01	1	Taillight	
25	15 17 515-01	1	Headlight, compl	
29	740 44 26-00	1	O-ring	



**Husqvarna**

1988 510 TC, TE, TX

**D11**

Meter

Ref. No.	Part No.	Qty.	Description	Notes
1	15 17 540-01	1	Odometer	
2	15 17 495-01	1	Cable, speedometer	
3	15 13 709-01	4	Washer	
4	15 19 705-01	2	Bushing	
6	15 17 541-01	1	Bracket, odometer	
7	15 17 306-01	1	Holder, cable	
8	15 13 734-01	2	Washer	
9	732 21 16-51	2	Nut	
10	725 23 71-51	2	Screw, 6x22	
11	15 17 523-01	1	Drive, odometer	
12	15 17 543-01	1	Odometer, kit	

