

8

7

6

5

4

3

2

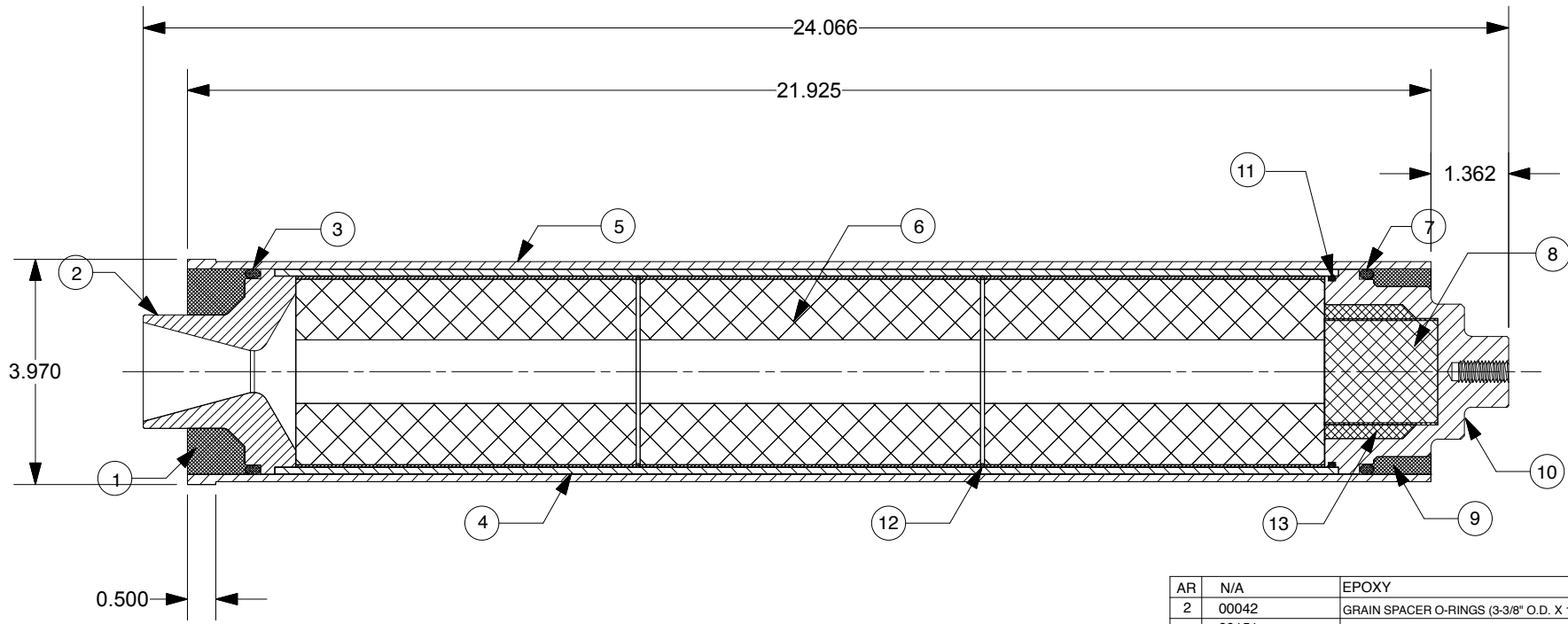
1

NOTES:

1.

REVISIONS

EFFECTIVITY	REV	DESCRIPTION	DATE	APPROVED
FUTURE	A	FIRST RELEASE ISSUE	8 / 3 / 17	
FUTURE	B	ADDED KEY DIMENSIONS	8 / 2 / 18	



AR	N/A	EPOXY	13
2	00042	GRAIN SPACER O-RINGS (3-3/8" O.D. X 1/16") 042	12
1	00151	FWD SEAL O-RING (3-3/16" O.D. X 3/32") BUNA-N 90 SHORE	11
1	01925S	FORWARD BULKHEAD, SHORT, MACHINED	10
AR	N/A	EPOXY	9
1	N/A	SMOKE CHARGE(1.870" O.D. X 2.00")	8
1	00339	FORWARD O-RING (3.625" O.D. X 3/16") 339	7
3	N/A	PROPELLANT GRAINS (3.37" O.D. X 6.00")	6
1	01992-3	FIBERGLASS CASE, 3.875" O.D. X 21.93"	5
1	03040-3	PHENOLIC LINER (3.592" O.D. X 18.750")	4
1	00339	AFT O-RING (3.625" O.D. X 3/16") 339	3
1	01800-3	HP 98MM NOZZLE	2
AR	N/A	EPOXY	1

UNLESS OTHERWISE SPECIFIED DIMENSIONS ARE IN INCHES

.XX +/- .010	.XXX +/- .005	ANGLES +/- 2 deg.
-----------------	------------------	----------------------

MATERIAL

NOTED

FINISH

LIST OF MATERIAL

CONTRACT NUMBER

PREP G. ROSENFELD 8 / 17

CHKR

APVD

APVD

SCALE 1 / 3

SHEET 1 OF 1

2113 W. 850 N. Street
Cedar City, Utah 84720
(435) 865-7100 (Ph)
(435) 865-7120 (Fax)

**GENERIC 98MM SINGLE-USE
HP EMK™ MOTOR ASSEMBLY**

SIZE **A** NUMBER **080317-01**

8

7

6

5

4

3

2

1

E

D

C

B

A

E

D

C

B

A