

# Outdoor Unit Single Zone Heat Pump Ductless System

Outdoor Model: **DLCPRAH09AAK**

## Submittal Data

Job Data:  Location:

Buyer:  Buyer P.O. #:  Carrier #:

Unit Number:  Model Number:

Performance Data Certified By:  Date:



### STANDARD FEATURES

- 100% Heating Capacity at 0°F (-17°C)
- 100% Cooling capacity at -22°F (-30°C)
- Available in 208/230V
- Built-in basepan heater
- Auto-restart function
- Refrigerant leakage detection
- Quiet outdoor operation
- Anti-corrosive fin coating
- Piping length 98 ft (30m)
- Cooling operating range -22° ~ 122°F (-30° ~ 50°C)
- Heating operating range -22° ~ 86°F (-25° ~ 30°C)



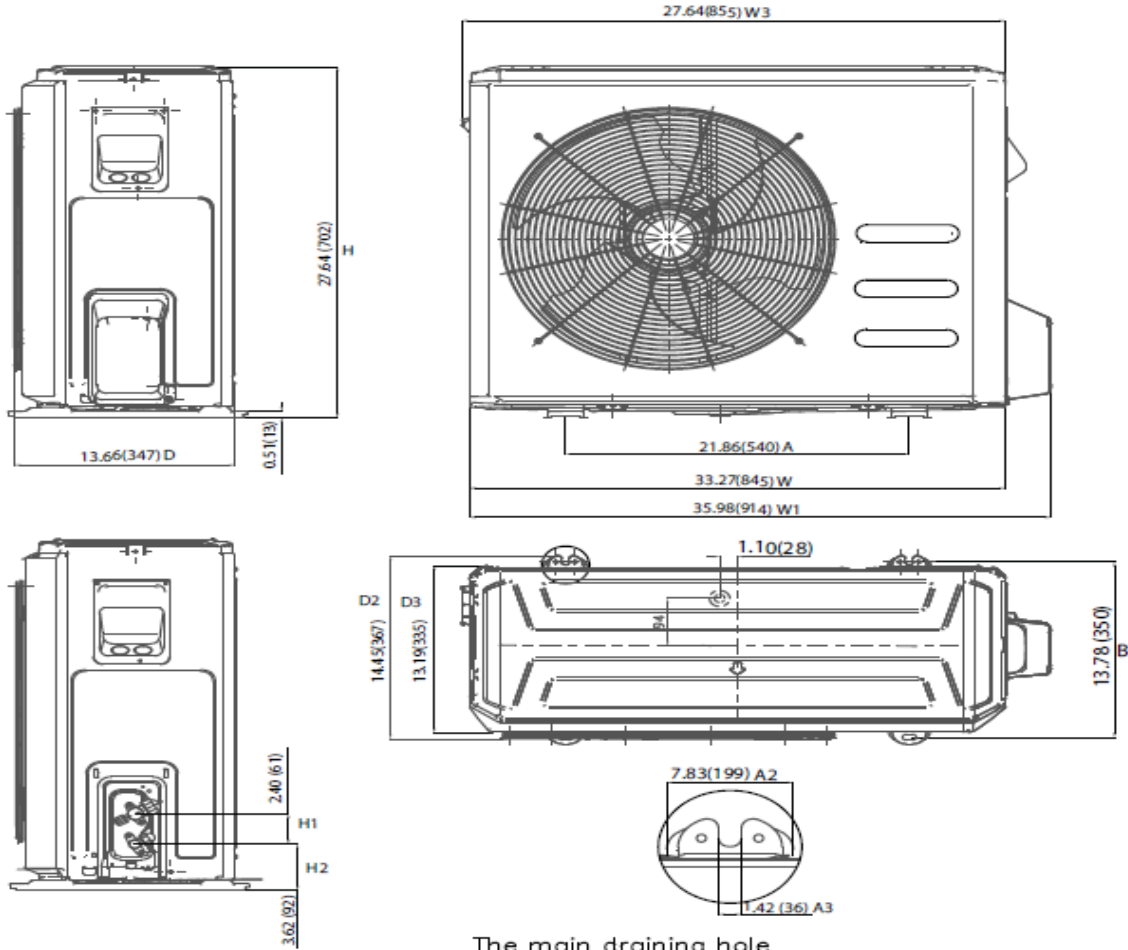
## Specifications

System	Size	9	
	Outdoor Model	DLCPRAH09AAK	
Electrical	Voltage, Phase, Cycle	V/Ph/Hz	208/230-1-60
	MCA	A.	13
Operating Range	MOCP - Fuse Rating	A.	15
	Cooling Outdoor DB Min - Max	°F(°C)	-22~-122 (-30~50)
Piping	Heating Outdoor DB Min - Max	°F(°C)	-22~86 (-30~30)
	Total Piping Length	ft (m)	98 (30)
	Piping Lift*	ft (m)	49 (15)
	Pipe Connection Size - Liquid	in (mm)	1/4 (6.35)
Refrigerant	Pipe Connection Size - Suction	in (mm)	3/8 (9.52)
	Type		R410A
	Charge	lbs (kg)	3.5 (1.58)
Outdoor Coil	Metering Device		EEV
	Face Area	Sq. Ft.	5.12
	No. Rows		2
	Fins per inch		21
Compressor	Circuits		6
	Compressor Type		Rotary Inverter
	Model		ATM115D43UFZ2
	Oil Type		VG74
	Oil Charge	Fl. Oz.	16.9
	Rated Current	RLA	8

Performance High Wall	Energy Star		YES
	Cooling System Tons		0.75
	Cooling Rated Capacity	Btu/h	9,000
	Cooling Cap. Range Min - Max	Btu/h	5000~17000
	SEER	Btu/Wh	40
	EER	Btu/Wh	15
	Heating Rated Capacity (47°F)	Btu/h	10,000
	Heating Maximum Capacity (5°F)	Btu/h	13,000
	Heating Cap. Range Min - Max	Btu/h	3,100~19,000
	HSPF		14.5
Outdoor	COP (47°F)	W/W	4
	COP (5°F)	W/W	2
	Unit Width	in (mm)	33.27 (845)
	Unit Height	in (mm)	27.64 (702)
	Unit Depth	in (mm)	14.29(363)
	Net Weight	lbs (kg)	107.59(48.8)
	Airflow	CFM	1,380
	Sound Pressure	dB(A)	55.5

\* Condensing unit above or below indoor unit  
For Compatibility See Product Data

# Construction View



The main draining hole

