

Product Data

INDUSTRY LEADING FEATURES / BENEFITS

A competitively priced and creative solution to design problems.

The **DLCMRBH/ DLCMHBH** ductless inverter driven multi-zone system provides individual comfort control for up to 5 separate zones. Match two, three, four or even five space-saving **High Wall, Cassette, Slim Ducted, Air Handler units** or **Floor Console fan coils** with one outdoor heat pump. The indoor fan coils are connected to the outdoor unit by refrigerant tubing and wires.

Mount different indoor unit styles in several locations to accommodate the application. This selection of fan coils permits inexpensive and creative solutions to design problems such as:

- Adding air conditioning to spaces that are heated by hydronic or electric heat and have no ductwork
- Historical renovations or any application where preserving the look of the original structure is essential
- Commercial add-on jobs where the existing air conditioning system cannot be stretched.

These compact indoor fan coil units take up very little space in the room and do not obstruct windows. The fan coils are attractively styled to blend with most room decors. Advanced system components incorporate innovative technology to provide reliable cooling and heating performance at low sound levels.

TABLE OF CONTENTS

	PAGE
INDUSTRY LEADING FEATURES / BENEFITS	1
MODEL NUMBER NOMENCLATURE	3
STANDARD FEATURES AND ACCESSORIES	4
DIMENSIONS	5
CLEARANCES	8
PHYSICAL DATA	9
PERFORMANCE	10
COOLING PERFORMANCE NON-DUCTED	11
HEATING PERFORMANCE NON-DUCTED	39
COOLING PERFORMANCE DUCTED PLUS NON-DUCTED	46
HEATING PERFORMANCE DUCTED PLUS NON-DUCTED	74
COOLING PERFORMANCE DUCTED	81
HEATING PERFORMANCE DUCTED	109
APPLICATION DATA	116
UNIT MOUNTING (OUTDOOR)	129
WIRING	130
PIPING REQUIREMENTS	131
FAN AND MOTOR SPECIFICATIONS	134
ELECTRICAL DATA	134
WIRING DIAGRAMS	135
GUIDE SPECIFICATIONS	143



Fig. 1 — Size 18K



Fig. 2 — Sizes 24K HH, 30K HH, 36K



Fig. 3 — Sizes 36K HH, 48K, 48K HH

NOTE: Images are for illustration purposes only. Actual models may differ slightly.

Inverter Technology

The inverter driven compressor is designed to run at various input power frequencies (Hz) which controls the compressor's motor speed.

Even Temperature – The control package, including the inverter, monitors the outdoor and indoor temperatures as they relate to the selected indoor set point and adjusts the compressor speed to match the load and keep the system operating continuously rather than cycling and creating temperature swings. This translates to higher comfort levels for the occupants.

Rapid Pull Down/Warm-Up – Comfort is increased by the inverter system's ability to ramp up the compressor speed enabling the system to reach the user selected room temperature set point quicker.

Humidity Control – Running the system for longer periods and continuously changing the compressor speed enhances the humidity control.

Individual Room Comfort

Maximum comfort is provided because each space can be controlled individually based on the usage pattern.

Low Sound Levels

When noise is a concern, ductless systems are the answer. The indoor units are whisper quiet. There are no compressors indoors, either in the conditioned space or directly over it, and there is none of the noise usually generated by air being forced through the ductwork.

When sound ordinances and proximity to neighbors demand quiet operation, the **DLCMRBH/ DLCMHBH** unit is the right choice. With the inverter technology, these units run at lower speeds, most of the time resulting in reduced sound levels.

Inverter Technology – Enhanced Economical Operation

Ductless systems are inherently economical to operate. Individual rooms are heated or cooled only when required, and since the air is delivered directly to the space, there is no need to use additional energy to move the air in the ductwork. This economical operation is enhanced further when the inverter system output matches the load resulting in a more efficient system.

Easy-To-Use Controls

The multi-zone systems have microprocessor-based controls to provide the ultimate in comfort and efficiency. The user friendly wired and wireless remote controls provide an interface between the user and the unit.

Secure Operation

If security is an issue, outdoor and indoor units are connected only by refrigerant piping and wiring to prevent intruders from crawling through ductwork or wall openings. Since the **DLCMRBH/ DLCMHBH** can be installed close to an outside wall, coils are protected from vandals and severe weather.

Fast Installation

This compact ductless system is simple to install. A mounting bracket is included with the indoor units and only wires and piping need to run between the indoor and outdoor units. These units are fast and easy to install ensuring minimal disruption to customers in homes or the workplace. This makes **DLCMRBH/ DLCMHBH** systems the equipment of choice for retrofit applications.

Simple Servicing and Maintenance

Removing the top panel of the outdoor unit provides immediate access to the control compartment, providing the service technician access to the diagnostic LEDs to facilitate the troubleshooting process. In addition, the draw-thru design of the outdoor unit means that dirt accumulates on the outside surface of the coil. Coils can be cleaned quickly from the inside using a pressure hose and detergent.

On the indoor units, service and maintenance expense is reduced due to the permanent easy to clean filters. Also, error codes appear on the front panel to alert the user to certain system malfunctions.

Built-in Reliability

Ductless system indoor and outdoor units are designed to provide years of trouble-free operation. Both the indoor and outdoor units are well protected. Whenever the microprocessor detects abnormal conditions, the unit stops and an error code appears.

Inverter systems provide additional reliability due to the soft start. This refers to the ability of the inverter to start the compressor motor using reduced voltage and reduced current. This feature is beneficial from an electrical standpoint (eliminates current spikes) as well as an overall reliability standpoint due to reduced stress on all associated system components.

Agency Listings

All systems are listed with AHRI (Air conditioning, Heating, and Refrigeration Institute) and are UL/ETL certified per UL 60335-2-40 standard.

STANDARD FEATURES AND ACCESSORIES

Ease Of Installation	
Low Voltage Controls	S
Comfort Features	
Microprocessor Control	S
Auto Restart Function	S
Auto Changeover	S
Low Ambient Cooling	S
Low Ambient Heating	S
Energy Saving Features	
Inverter Driven Compressor	S
46° F Heating Mode (Heating Setback)	S
Safety And Reliability	
3 Minute Time Delay For Compressor	S
High Compressor Discharge Temperature	S
Low Voltage Protection	S
Compressor Overload Protection	S
Compressor Over Current Protection	S
IPM Module Protection	S
Aluminum Golden Hydrophilic pre-coated fins	S
Ease Of Service And Maintenance	
Diagnostics	S
Error Messages Displayed On Front Panel	S
Application Flexibility	
Crankcase Heater	S
Base pan Heater	S

Outdoor Units

Crankcase Heater

The crankcase heater is standard on all unit sizes. Heater clamps must be placed around the compressor oil stump.

Base pan Heater

The base pan heater is standard on all unit sizes.

Legend

S - Standard

A - Accessory

ACCESSORIES

Outdoor Unit Model Number	Sizes	Base Pan Base Rubber Plugs RCD Part No.	Qty. per Unit
DLCMRBH18BAK	18K (18R)	12600801A00077	25
DLCMHBH24CAK DLCMHBH30DAK DLCMRBH36DAK	24K (24HH) 30K (30HH) 36K (36R)	12600801A00117	5
DLCMHBH36DAK DLCMRBH48EAK DLCMHBH48EAK	36K (36HH) 48K (48R) 48K (48HH)	12600801A00118	5

NOTE: The basepan is built in with multiple holes for proper draining during defrost. For applications where it is required to seal these holes, and re-direct the condensate drain, rubber plugs are available through RCD.

DIMENSIONS

SYSTEM SIZE		18K	24K HIGH HEAT	30K HIGH HEAT	36K	36K HIGH HEAT	48K	48K HIGH HEAT
		(208/230 V)	(208/230 V)	(208/230 V)	(208/230 V)	(208/230 V)	(208/230 V)	(208/230 V)
Height (H)	in (mm)	26.50(673)	31.89(810)	31.89(810)	31.89(810)	52.48(1333)	52.48(1333)	52.48(1333)
Width (W)	in (mm)	35.04(890)	37.24(946)	37.24(946)	37.24(946)	37.48(952)	37.48(952)	37.48(952)
Depth (D)	in (mm)	13.46(342)	16.14(410)	16.14(410)	16.14(410)	16.34(415)	16.34(415)	16.34(415)
Weight - Net	lbs. (kg)	100.31(45.5)	139.77(63.4)	169.09(76.7)	169.09(76.7)	223.1(101.2)	225.5(102.3)	238.32(108.1)
PACKAGING								
Height	in (mm)	29.53(750)	34.84(885)	34.84(885)	34.84(885)	58.27(1480)	58.27(1480)	58.27(1480)
Width	in (mm)	40.55(1030)	42.91(1090)	42.91(1090)	42.91(1090)	43.11(1095)	43.11(1095)	43.11(1095)
Depth	in (mm)	17.24(438)	19.69(500)	19.69(500)	19.69(500)	19.49(495)	19.49(495)	19.49(495)
Weight-Gross	lbs. (kg)	108.69(49.3)	150.57(68.3)	181.44(82.3)	181.44(82.3)	254(115.2)	256.6(116.4)	269.84(122.4)
Carton Drawing No.	--	ZXW-1015*423*715S-NS(V4)	ZXW-1075*485*860S-NS(V4)	ZXW-1075*485*860S-NS(V4)	ZXW-1075*485*860S-NS(V4)	ZXW-1080*480*1365S-NS1	ZXW-1080*480*1365S-NS1	ZXW-1080*480*1365S-NS1
Carton Material	--	Corrugated fiber board						
Material Thickness	in (mm)	0.28 (7)	0.28 (7)	0.28 (7)	0.28 (7)	0.28 (7)	0.28 (7)	0.28 (7)

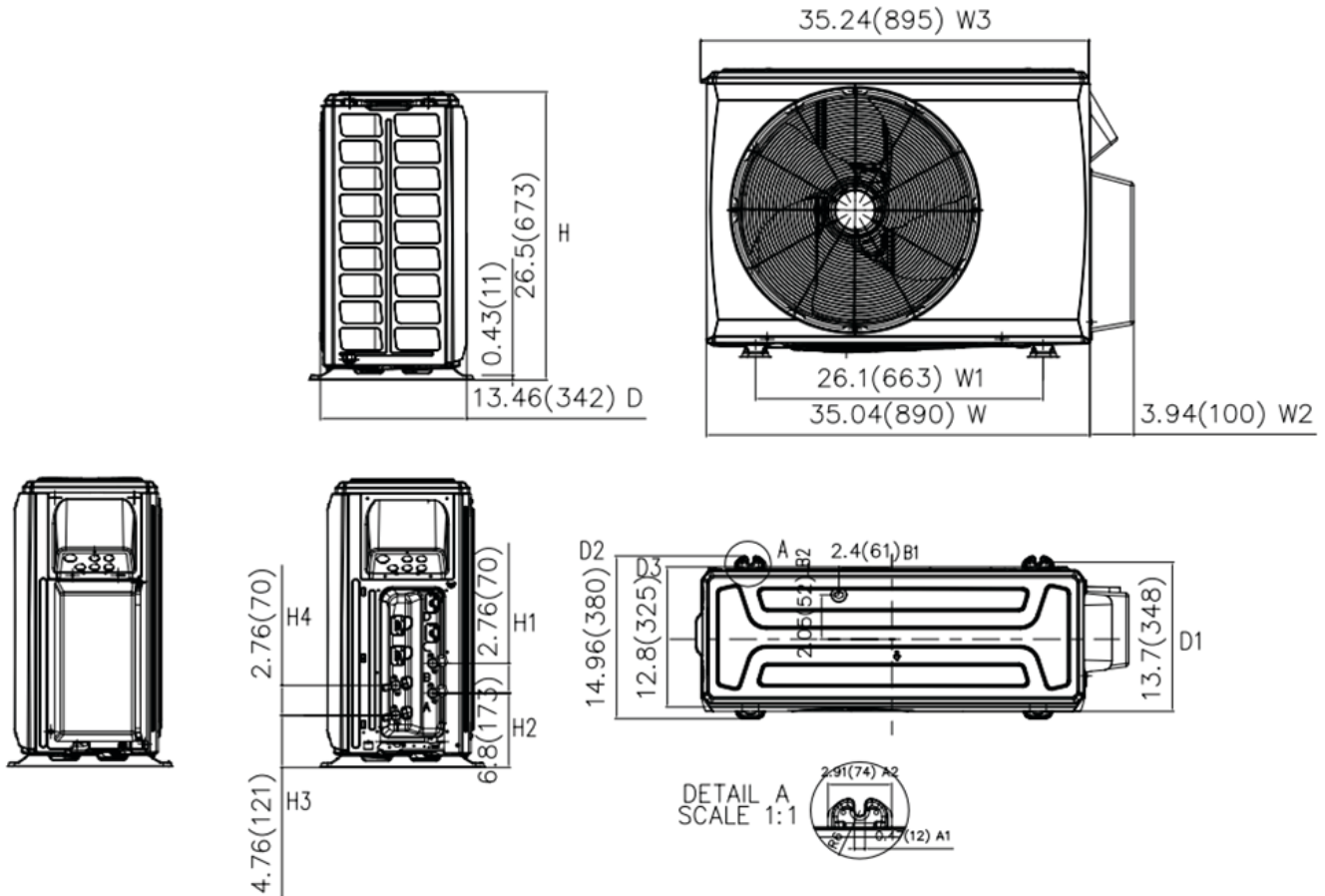


Fig. 4 — Outdoor Dimensions Size 18K (18R Standard)

NOTE: Master valves are not available on the 18K unit.

DIMENSIONS (CONT)

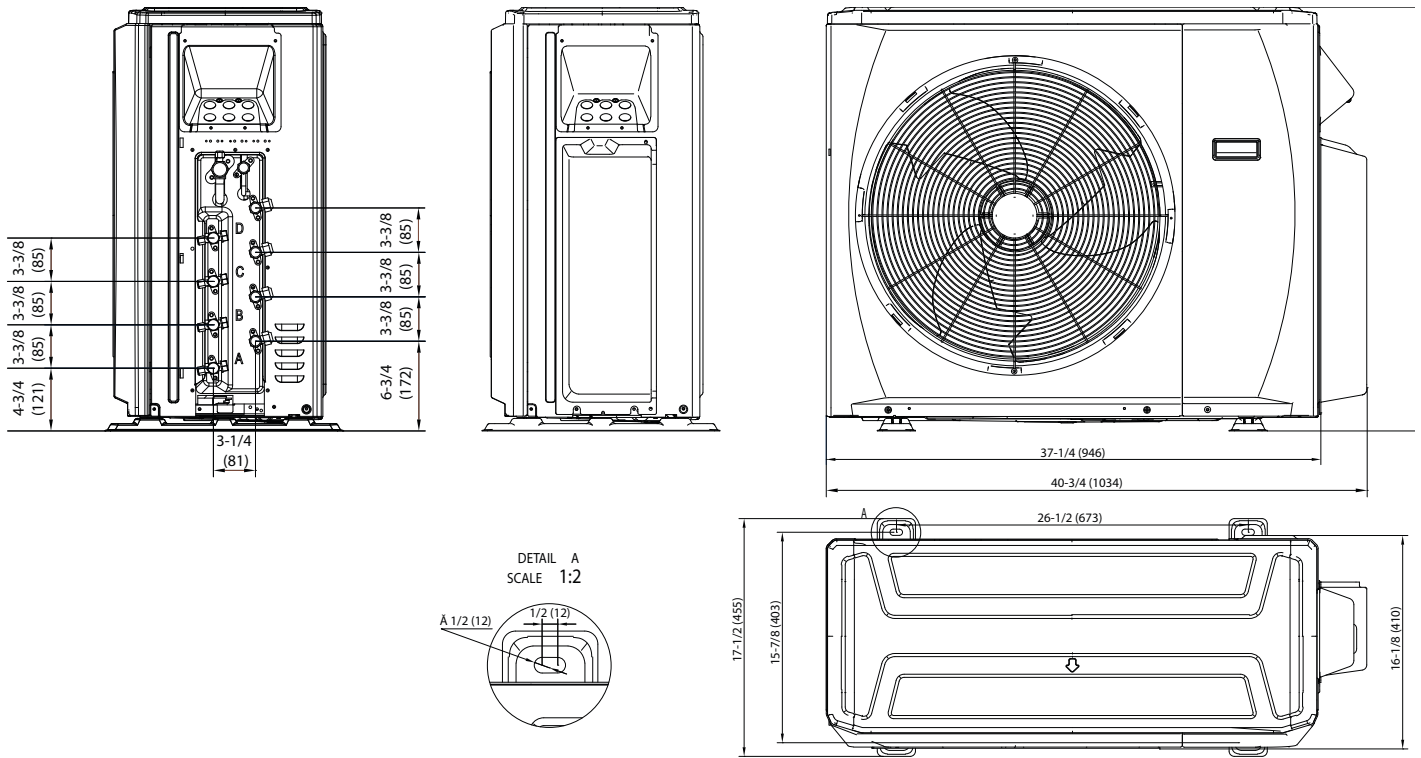


Fig. 5 — Outdoor Dimensions Size 24K (24R Standard), 30HH (30 High Heat), and 36K (36R Standard)

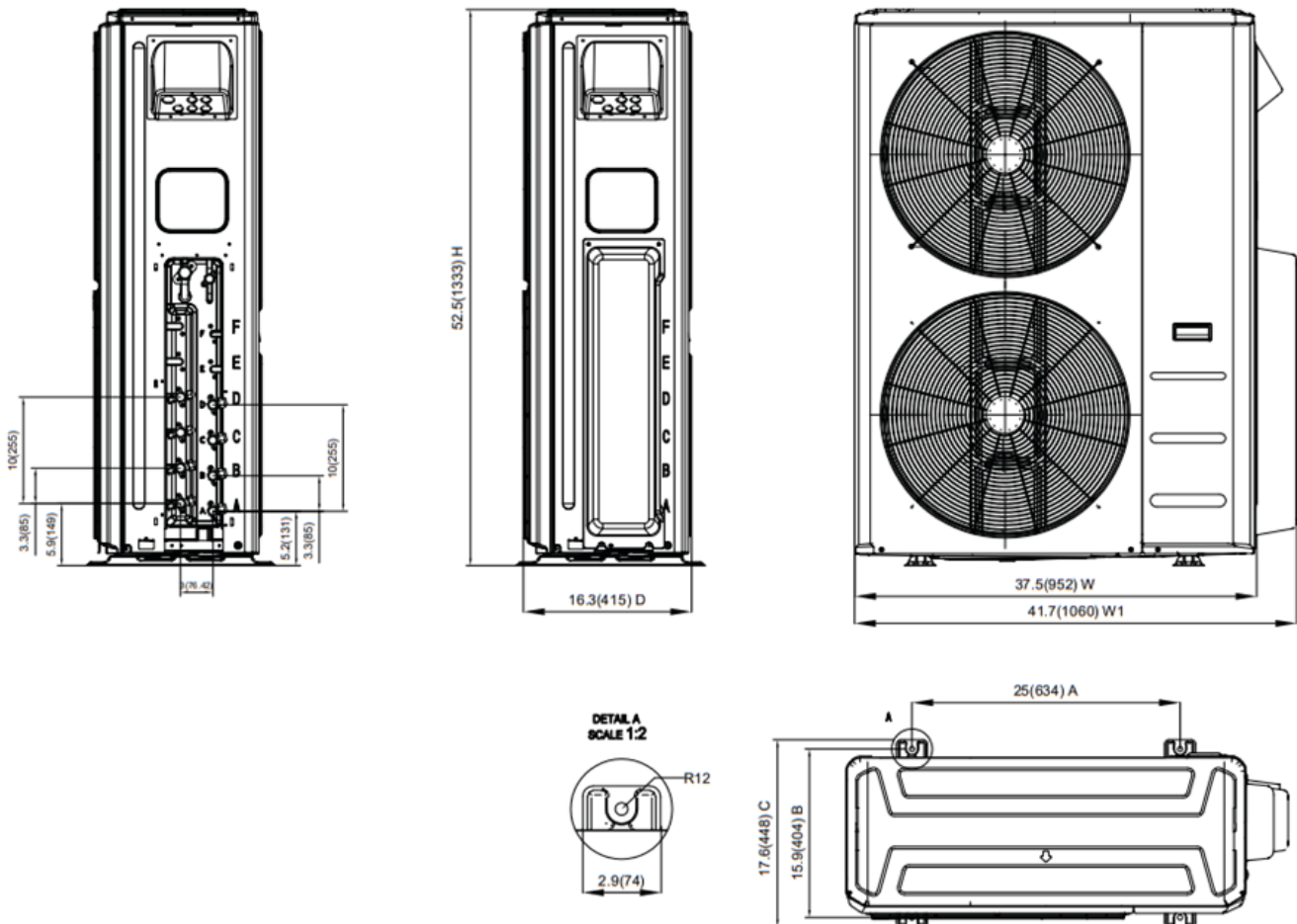


Fig. 6 — Outdoor Dimensions Size 36HH (36 High Heat)

DIMENSIONS (CONT)

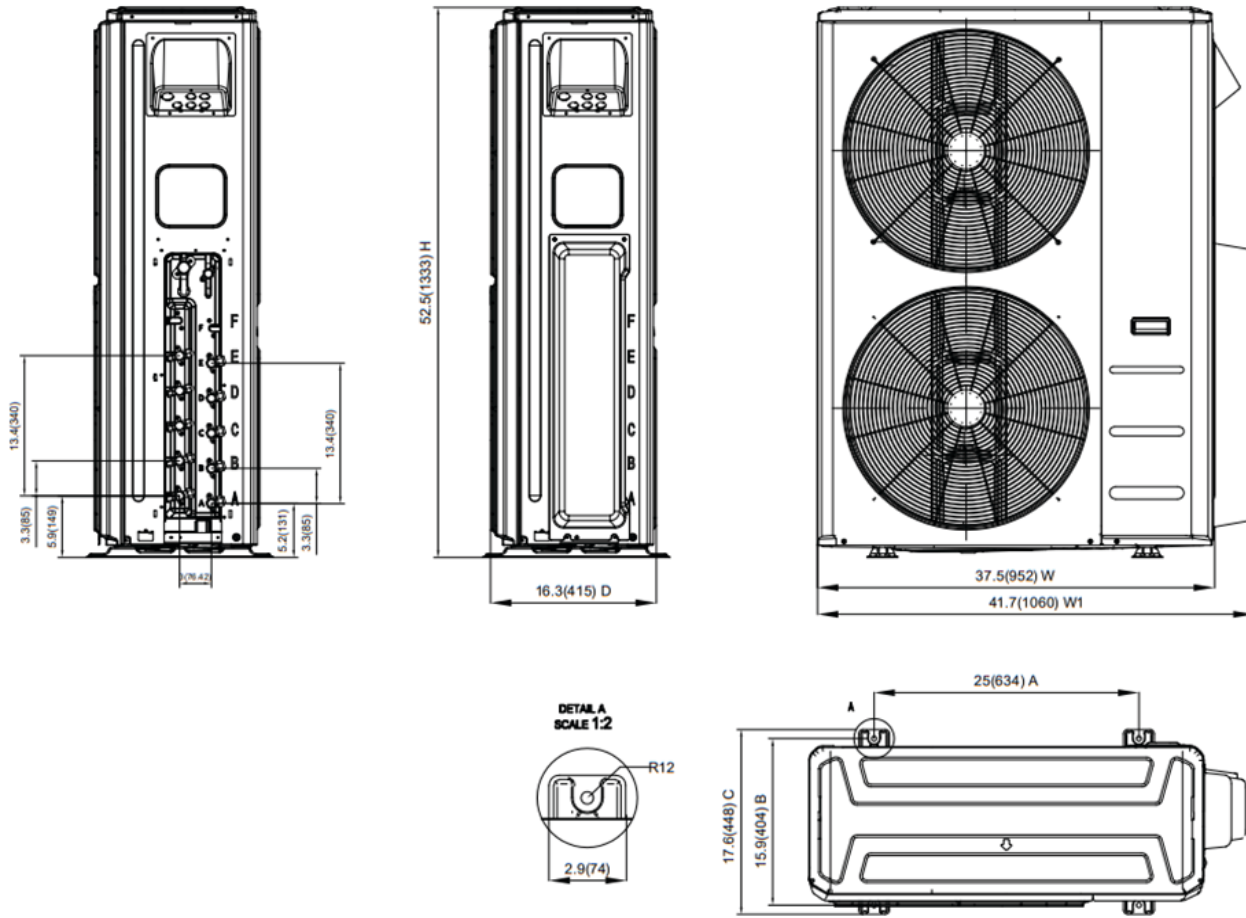


Fig. 7 — Outdoor Dimensions Size 48K and 48HH (48 Standard and High Heat)

CLEARANCES

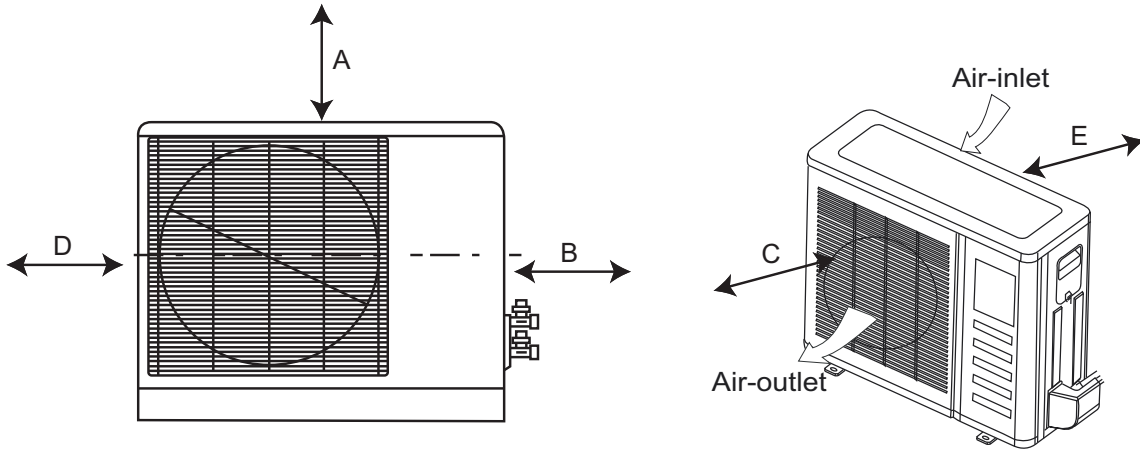


Fig. 8 — Clearances

UNIT	MINIMUM VALUE in. (mm)
A	24 (609)
B	24 (609)
C	24 (609)
D	4 (101)
E	6 (152)

NOTE: The outdoor unit must be mounted at least 2in (50mm) above the maximum anticipated snow depth.

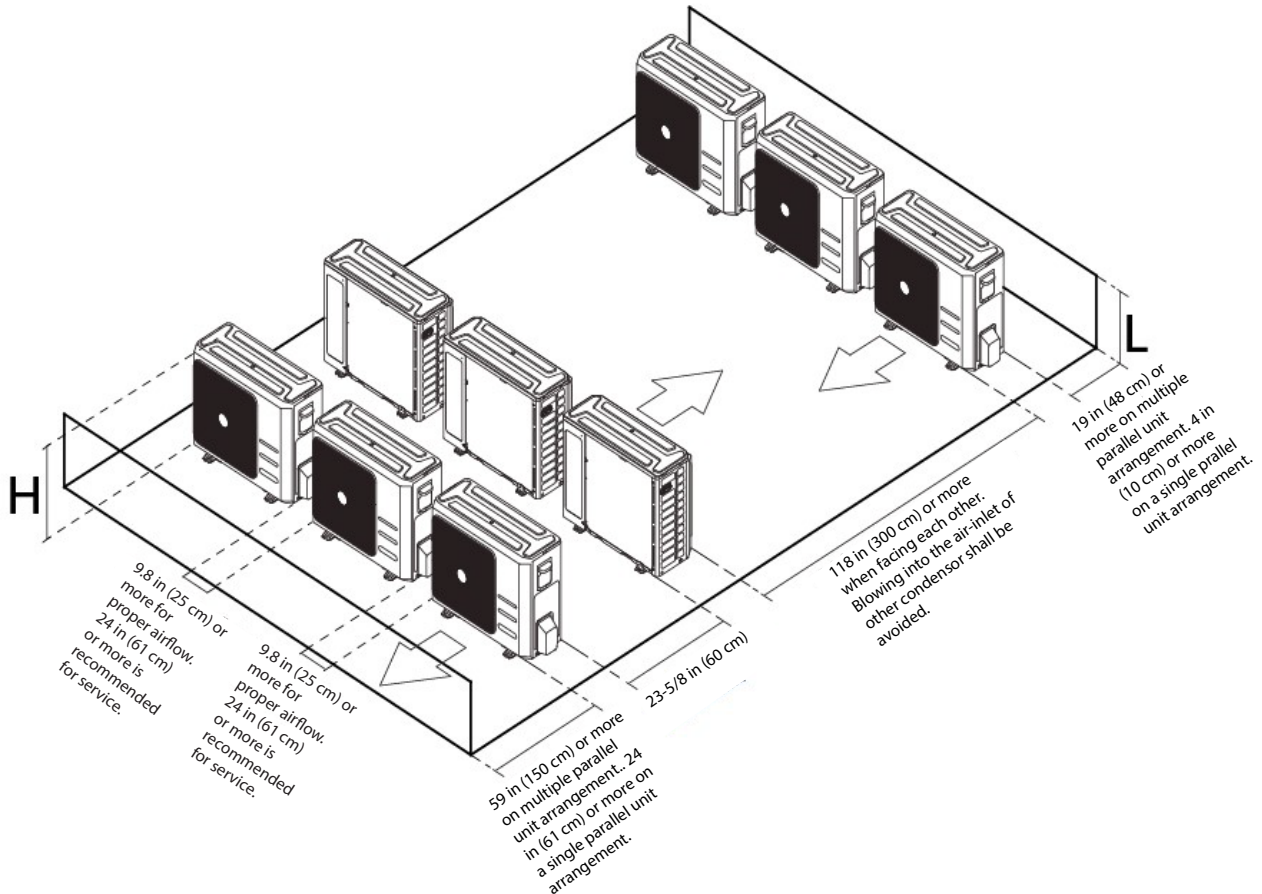


Fig. 9 — Clearances for multiple units

PHYSICAL DATA

SYSTEM	SIZE		18R	24HH	30HH	36R	36HH	48R	48HH
	Max Zone Number		2	3	4	4	4	5	5
OPERATING RANGE	Cooling Outdoor DB Min - Max	°F(°C)	-22~122 (-30~50)						
	Heating Outdoor DB Min - Max	°F(°C)	-22~75 (-30~24)						
PIPING	Total Piping Length	ft (m)	131 (40)	197 (60)	262 (80)	262 (80)	262 (80)	328 (100)	328 (100)
	Piping to furthest FCU	ft (m)	82 (25)	98 (30)	115 (35)	115 (35)	115 (35)	115 (35)	115 (35)
	Drop (OD above ID)	ft (m)	49 (15)	49 (15)	49 (15)	49 (15)	65 (20)	65 (20)	65 (20)
	Lift (OD below ID)	ft (m)	49 (15)	49 (15)	49 (15)	49 (15)	65 (20)	65 (20)	65 (20)
	Pipe Connection Size - Liquid	in (mm)	1/4*2 (6.35*2)	1/4*3 (6.35*3)	1/4*4 (6.35*4)	1/4*4 (6.35*4)	1/4*4 (6.35*4)	1/4*5 (6.35*5)	1/4*5 (6.35*5)
	Pipe Connection Size - Suction	in (mm)	3/8*2 (9.52*2)	3/8*3 (9.52*3)	1/2 *1+ 3/8*3 (12.7*1+9.52*3)		1/2 *2+ 3/8*2 (12.7*2+9.52*2)		1/2 *2+ 3/8*3 (12.7*2+9.52*3)
REFRIGERANT	Type		R410A						
	Charge	lbs (kg)	4.08 (1.85)	5.73 (2.6)	8.38 (3.8)	8.38 (3.8)	10.14 (4.6)	10.14 (4.6)	10.14 (4.6)
	Metering Device		EXV						
ELECTRICAL	Voltage, Phase, Cycle	V/Ph/Hz	208/230-1-60						
	Power Supply		Indoor unit powered from outdoor unit						
	MCA	A.	18	24.5	25	25	40	40	40
	Recommended Fuse Size	A.	20	25	30	30	45	45	45
	MOPA - Fuse Rating	A.	25	30	40	40	60	60	60
COMPRESSOR	Type		Rotary Inverter						
	Model		KTN150D30UFZA	KTM240D43UKT	KTF310D43UMT	KTF310D43UMT	ATQ360D1UMU	ATQ360D1UMU	EAPQ420D1U-MUA
	Oil Type		ESTER OIL VG74						
	Oil Charge	Fl. Oz.	15.2	21	33.8	33.8	47.4	47.4	49.4
	Rated Current	RLA	11	14	18	18	24	24	30
OUTDOOR	Unit Width	in (mm)	35.04 (890)	37.24 (946)	37.24 (946)	37.24 (946)	37.48 (952)	37.48 (952)	37.48 (952)
	Unit Height	in (mm)	26.50 (673)	31.89 (810)	31.89 (810)	31.89 (810)	52.48 (1333)	52.48 (1333)	52.48 (1333)
	Unit Depth	in (mm)	13.46 (342)	16.14 (410)	16.14 (410)	16.14 (410)	16.34 (415)	16.34 (415)	16.34 (415)
	Net Weight	lbs (kg)	100.31 (45.5)	139.77 (63.4)	169.09 (76.7)	169.09 (76.7)	223.1 (101.2)	225.5 (102.3)	238.32 (108.1)
	Airflow	CFM	1,765	2,129	2,147	2,147	4,500	4,500	4,500
	Sound Pressure	dB(A)	59	61	63	63	64	64	65

PERFORMANCE

System	Size	18R	24HH	30HH	36R	36HH	48R	48HH
	Outdoor Model	38MGRBQ18BA3	38MGHBQ24CA3	38MGHBQ30DA3	38MGRBQ36DA3	38MGHBQ36DA3	38MGRBQ48EA3	38MGHBQ48EA3
	Max Number of Zones	2	3	4	4	4	5	5
Performance Non-Ducted	Energy Star	YES	YES	YES	NO	YES	YES	NO
	Cooling System Tons	1.5	2	2.5	3	3	4	4
	Cooling Rated Cap.	Btu/h 18,000	24,000	30,000	36,000	36,000	48,000	48,000
	Cooling Cap. Range Min - Max	Btu/h 5,600~22,000	9,500~32,100	9,400~41,800	8,200~41,600	9,600~45,100	9,900~53,200	9,700~53,300
	SEER	Btu/h 22.5	24.1	25	23	21.8	22.4	21.5
	SEER2	Btu/h 22.9	24.6	26	23.9	22.2	23.4	21.8
	EER	Btu/h 13.3	13.1	12.5	11.5	13.6	12.5	11.6
	EER2 (DOE A2 - 95°F)	Btu/h 13.9	13.4	13	11.7	13.6	12.5	11.7
	EER2 (DOE B2 - 82°F)	Btu/h 18.7	17.33	18.5	14.4	18	15	14
	Heating Rated Cap. (47°F)	Btu/h 19,000	25,000	30,000	37,000	36,500	48,000	49,000
	Heating Rated Cap. (17°F)	Btu/h 11,000	16,300	17,500	23,500	23,200	29,600	30,000
	Heating Rated Cap. (5°F)	Btu/h 12,400	18,300	23,300	23,900	29,500	29,500	48,000
	Heating Max.Cap. (5°F)	Btu/h 12,400	23,000	29,400	23,900	36,000	36,000	48,000
	Heating Cap. Range Min - Max	Btu/h 5,000~24,400	8,400~34,000	8,100~41,400	8,000~44,700	12,500~49,000	12,500~52,000	11,500~58,000
	HSPF	10.6	11	11.3	11.3	11	11	11
	COP (47°F)	W/W 3.92	4.1	3.81	3.61	3.85	3.6	3.59
	COP (17°F)	W/W 2.78	2.8	2.82	2.64	2.78	2.6	2.5
	COP (5°F) - Rated	W/W 1.8	1.8	1.9	1.8	1.8	1.8	2
COP (5°F) - Maximum	W/W 1.75	1.75	1.9	1.75	1.75	1.75	2	
Performance Combination Ducted and Non-Ducted	Energy Star	YES	YES	NO	NO	YES	NO	NO
	Cooling System Tons	1.5	2	2.5	3	3	4	4
	Cooling Rated Cap.	Btu/h 18,000	24,000	30,000	36,000	36,000	48,000	48,000
	Cooling Cap. Range Min - Max	Btu/h 4,700~22,200	7,800~31,400	8,700~40,700	8,400~41,400	9,700~43,200	10,200~53,600	9,900~53,400
	SEER	Btu/h 20.8	22.6	22.4	21.3	20.4	21.5	20.9
	SEER2	Btu/h 19	21.3	20	20	19	20.5	20.9
	EER	Btu/h 12.7	12.8	12.1	11.3	12.5	11.3	11.5
	EER2 (DOE A2 - 95°F)	Btu/h 12	12.5	12	11	11.7	10.8	11.7
	EER2 (DOE B2 - 82°F)	Btu/h 15.6	15.5	15	13.7	15	12.5	14
	Heating Rated Cap. (47°F)	Btu/h 19,000	24,500	30,000	37,000	36,750	49,000	49,500
	Heating Rated Cap. (17°F)	Btu/h 11,350	15,650	17,900	23,250	23,100	29,300	29,000
	Heating Rated Cap. (5°F)	Btu/h 12,700	18,000	23,500	23,900	28,700	28,700	48,000
	Heating Max.Cap. (5°F)	Btu/h 12,700	22,000	29,000	23,900	36,000	36,000	48,000
	Heating Cap. Range Min - Max	Btu/h 4,600~25,100	7,800~33,800	7,385~42,300	7,400~45,700	12,900~48,000	14,000~54,000	11,750~58,500
	HSPF	10.7	10.8	10.7	11	11	10.6	10.8
	COP (47°F)	W/W 3.86	3.96	3.81	3.61	3.8	3.59	3.73
	COP (17°F)	W/W 2.78	2.85	2.79	2.64	2.65	2.61	2.48
	COP (5°F) - Rated	W/W 1.75	1.85	1.88	1.72	1.7	1.7	1.9
COP (5°F) - Maximum	W/W 1.75	1.85	1.88	1.72	1.8	1.8	1.9	
Performance Ducted	Energy Star	NO	YES	NO	NO	NO	NO	NO
	Cooling System Tons	1.5	2	2.5	3	3	4	4
	Cooling Rated Cap.	Btu/h 18,000	24,000	30,000	36,000	36,000	48,000	48,000
	Cooling Cap. Range Min - Max	Btu/h 3,800~22,400	6,100~30,700	8,100~39,500	8,700~41,300	9,800~47,000	10,500~54,000	10,200~53,500
	SEER	19	21.1	19.8	19.5	19	20.5	20.2
	SEER2	21.0	22.95	23.00	21.95	20.60	21.95	21.35
	EER	12	12.5	11.6	11	11.3	10.1	11.4
	EER2 (DOE A2 - 95°F)	12.95	12.95	12.50	11.35	12.65	11.65	11.70
	EER2 (DOE B2 - 82°F)	17.15	16.42	16.75	14.05	16.40	13.75	14.00
	Heating Rated Cap.(47°F)	Btu/h 19,000	24,000	30,000	37,000	37,000	50,000	50,000
	Heating Rated Cap.(17°F)	Btu/h 11,700	15,000	18,300	23,000	23,000	29,000	28,000
	Heating Rated Cap. (5°F)	Btu/h 13,000	17,500	23,600	24,000	28,000	28,000	48,000
	Heating Max. Cap. (5°F)	Btu/h 13,000	21,500	28,600	24,000	36,000	36,000	48,000
	Heating Cap. Range Min - Max	Btu/h 4,300~25,800	7,300~33,700	6,600~43,200	6,900~46,700	13,300~47,000	15,500~56,000	12,000~59,000
	HSPF	10.8	10.5	10	10.7	11	10.1	10.5
	COP (47°F)	W/W 3.8	3.81	3.81	3.6	3.74	3.57	3.86
	COP (17°F)	W/W 2.78	2.85	2.75	2.64	2.52	2.62	2.45
	COP (5°F) - Rated	W/W 1.75	1.95	1.85	1.68	1.7	1.7	1.85
COP (5°F) - Maximum	W/W 1.75	1.95	1.85	1.68	1.8	1.8	1.85	

NOTE: See the current compatibility chart for a list of the indoor and outdoor unit match ups.

COOLING PERFORMANCE NON-DUCTED

COOLING PERFORMANCE 18K

PERFORMANCE NON-DUCTED 18K (Sheet 1 of 4)

AIRFLOW (CFM)	OUTDOOR DB °F	ID WB(°F) ID DB(°F)	60.8				64.4				66.2				71.6			
			73.4	77.0	80.6	84.2	73.4	77.0	80.6	84.2	73.4	77.0	80.6	84.2	73.4	77.0	80.6	84.2
Low	-22	TC	10987	11001	11014	11029	11647	11661	11675	11688	12343	12359	12375	13062	13079	13093	13109	13125
		S/T	0.22	0.25	0.29	0.33	0.23	0.26	0.31	0.35	0.24	0.28	0.32	0.37	0.42	0.48	0.55	0.62
		PI	0.80	0.81	0.81	0.81	0.85	0.85	0.85	0.86	0.90	0.90	0.91	0.96	0.96	0.96	0.96	0.96
	-10	TC	10749	10764	10776	10790	11395	11409	11422	11436	12076	12092	12108	12795	12812	12826	12842	12858
		S/T	0.22	0.25	0.29	0.33	0.23	0.26	0.31	0.35	0.24	0.28	0.33	0.37	0.42	0.48	0.55	0.63
		PI	0.76	0.76	0.76	0.76	0.80	0.80	0.80	0.80	0.85	0.85	0.85	0.90	0.90	0.90	0.90	0.90
	0	TC	10551	10565	10577	10591	11185	11199	11212	11225	11854	11869	11885	12572	12589	12603	12619	12635
		S/T	0.22	0.25	0.29	0.33	0.23	0.26	0.31	0.35	0.25	0.28	0.33	0.37	0.43	0.49	0.55	0.63
		PI	0.72	0.72	0.72	0.72	0.76	0.76	0.76	0.76	0.80	0.80	0.81	0.85	0.85	0.85	0.85	0.85
	5	TC	10452	10466	10478	10492	11080	11094	11107	11120	11743	11758	11773	12460	12477	12491	12507	12523
		S/T	0.22	0.25	0.29	0.33	0.23	0.27	0.31	0.35	0.25	0.28	0.33	0.37	0.43	0.49	0.56	0.63
		PI	0.69	0.70	0.70	0.70	0.74	0.74	0.74	0.74	0.78	0.78	0.78	0.83	0.83	0.83	0.83	0.83
	14	TC	10274	10288	10299	10313	10892	10904	10917	10930	11542	11557	11572	12260	12276	12290	12307	12323
		S/T	0.22	0.25	0.29	0.34	0.23	0.27	0.31	0.36	0.25	0.28	0.33	0.38	0.43	0.49	0.56	0.64
		PI	0.66	0.66	0.66	0.66	0.70	0.70	0.70	0.70	0.74	0.74	0.74	0.78	0.78	0.79	0.79	0.79
	23	TC	10273	10287	10298	10312	10890	10903	10916	10929	11541	11556	11571	12258	12275	12289	12305	12321
		S/T	0.22	0.25	0.30	0.34	0.24	0.27	0.31	0.36	0.25	0.28	0.33	0.38	0.43	0.49	0.56	0.64
		PI	0.65	0.65	0.65	0.65	0.69	0.69	0.69	0.69	0.73	0.73	0.73	0.77	0.77	0.77	0.77	0.77
	32	TC	10360	10374	10385	10399	10982	10995	11009	11022	11639	11654	11669	12356	12373	12387	12403	12419
		S/T	0.22	0.25	0.30	0.34	0.24	0.27	0.31	0.36	0.25	0.29	0.33	0.38	0.43	0.49	0.56	0.64
		PI	0.65	0.65	0.65	0.65	0.69	0.69	0.69	0.69	0.73	0.73	0.73	0.77	0.77	0.77	0.77	0.77
	41	TC	10325	10339	10351	10365	10946	10959	10972	10985	11600	11615	11630	12318	12334	12348	12365	12381
		S/T	0.22	0.26	0.30	0.34	0.24	0.27	0.32	0.36	0.25	0.29	0.34	0.38	0.44	0.50	0.57	0.65
		PI	0.65	0.65	0.65	0.65	0.69	0.69	0.69	0.69	0.73	0.73	0.73	0.78	0.78	0.78	0.78	0.78
	50	TC	10337	10351	10362	10376	10958	10971	10984	10997	11613	11628	11643	12330	12347	12361	12377	12394
		S/T	0.23	0.26	0.30	0.34	0.24	0.27	0.32	0.36	0.25	0.29	0.34	0.38	0.44	0.50	0.57	0.65
		PI	0.66	0.66	0.66	0.67	0.70	0.70	0.70	0.71	0.74	0.75	0.75	0.79	0.79	0.79	0.79	0.79
	59	TC	10561	10575	10587	10601	11196	11209	11222	11236	11865	11880	11896	12583	12600	12614	12630	12646
		S/T	0.23	0.26	0.30	0.34	0.24	0.27	0.32	0.36	0.25	0.29	0.34	0.39	0.44	0.50	0.57	0.65
		PI	0.68	0.68	0.68	0.69	0.72	0.72	0.73	0.73	0.77	0.77	0.77	0.81	0.81	0.81	0.82	0.82
	68	TC	10785	10800	10812	10826	11433	11447	11461	11474	12117	12132	12148	12835	12852	12866	12882	12899
		S/T	0.23	0.26	0.30	0.35	0.24	0.27	0.32	0.37	0.26	0.29	0.34	0.39	0.44	0.50	0.58	0.66
		PI	0.70	0.70	0.70	0.71	0.74	0.75	0.75	0.75	0.79	0.79	0.79	0.84	0.84	0.84	0.84	0.84
	77	TC	11009	11024	11037	11051	11671	11685	11699	11713	12369	12385	12401	13088	13105	13119	13135	13151
		S/T	0.23	0.27	0.31	0.35	0.25	0.28	0.33	0.38	0.26	0.30	0.35	0.40	0.45	0.52	0.59	0.67
		PI	0.72	0.72	0.72	0.73	0.77	0.77	0.77	0.77	0.81	0.81	0.81	0.86	0.86	0.86	0.86	0.86
	86	TC	10751	10766	10778	10792	11397	11411	11424	11438	12078	12094	12110	12797	12814	12828	12844	12860
		S/T	0.24	0.27	0.32	0.36	0.25	0.29	0.33	0.38	0.27	0.30	0.35	0.40	0.46	0.52	0.60	0.68
		PI	0.79	0.79	0.79	0.79	0.84	0.84	0.84	0.84	0.89	0.89	0.89	0.94	0.94	0.94	0.94	0.95
	95	TC	10864	10879	10891	10905	11517	11531	11544	11558	12205	12221	12237	12924	12941	12955	12971	12987
		S/T	0.24	0.28	0.32	0.37	0.26	0.29	0.34	0.39	0.27	0.31	0.36	0.41	0.47	0.54	0.61	0.70
		PI	0.82	0.82	0.82	0.82	0.87	0.87	0.87	0.87	0.92	0.92	0.93	0.98	0.98	0.98	0.98	0.98
	104	TC	8146	8157	8166	8177	8636	8646	8656	8667	9152	9164	9176	9863	9880	9894	9910	9926
		S/T	0.25	0.29	0.34	0.39	0.27	0.31	0.36	0.41	0.29	0.33	0.38	0.43	0.50	0.57	0.64	0.73
		PI	0.72	0.72	0.72	0.72	0.76	0.76	0.76	0.76	0.81	0.81	0.81	0.86	0.86	0.86	0.86	0.87
	115	TC	6109	6117	6124	6132	6476	6483	6491	6499	6863	6872	6881	7568	7585	7599	7615	7631
		S/T	0.26	0.29	0.34	0.39	0.27	0.31	0.36	0.42	0.29	0.33	0.39	0.44	0.50	0.57	0.65	0.74
		PI	0.63	0.63	0.63	0.63	0.66	0.67	0.67	0.67	0.70	0.70	0.71	0.74	0.74	0.75	0.75	0.75
122	TC	4581	4587	4592	4598	4856	4862	4867	4873	5146	5153	5159	6179	6204	6225	6249	6273	
	S/T	0.27	0.30	0.36	0.41	0.28	0.32	0.38	0.43	0.30	0.34	0.40	0.46	0.52	0.59	0.67	0.77	
	PI	0.55	0.55	0.55	0.55	0.58	0.58	0.58	0.58	0.61	0.62	0.62	0.65	0.65	0.65	0.65	0.65	

PERFORMANCE NON-DUCTED 18K (Sheet 2 of 4)

AIRFLOW (CFM)	OUTDOOR DB °F	ID WB(°F) ID DB(°F)	60.8				64.4				66.2				71.6			
			73.4	77.0	80.6	84.2	73.4	77.0	80.6	84.2	73.4	77.0	80.6	84.20	73.4	77.0	80.6	84.2
Med	-22	TC	14171	14190	14206	14225	15023	15040	15058	15076	15910	15930	15951	16837	16858	16876	16897	16918
		S/T	0.32	0.37	0.43	0.49	0.34	0.39	0.45	0.52	0.36	0.41	0.48	0.55	0.62	0.71	0.81	0.93
		PI	1.19	1.19	1.19	1.19	1.26	1.26	1.26	1.26	1.33	1.34	1.34	1.41	1.41	1.42	1.42	1.42
	-10	TC	13846	13865	13880	13899	14678	14695	14713	14731	15565	15585	15606	16492	16513	16531	16552	16573
		S/T	0.32	0.37	0.43	0.49	0.34	0.39	0.46	0.52	0.36	0.41	0.48	0.55	0.63	0.72	0.82	0.93
		PI	1.12	1.12	1.12	1.12	1.18	1.18	1.19	1.19	1.25	1.26	1.26	1.33	1.33	1.33	1.33	1.33
	0	TC	13576	13594	13609	13627	14390	14408	14426	14443	15278	15298	15318	16204	16226	16244	16265	16286
		S/T	0.32	0.37	0.43	0.49	0.34	0.39	0.46	0.52	0.36	0.42	0.49	0.55	0.63	0.72	0.82	0.94
		PI	1.06	1.06	1.06	1.06	1.12	1.12	1.12	1.12	1.19	1.19	1.19	1.26	1.26	1.26	1.26	1.26
	5	TC	13440	13458	13474	13492	14247	14264	14282	14300	15134	15154	15175	16061	16082	16100	16121	16142
		S/T	0.33	0.37	0.43	0.50	0.35	0.39	0.46	0.52	0.37	0.42	0.49	0.56	0.63	0.72	0.82	0.94
		PI	1.03	1.03	1.03	1.03	1.09	1.09	1.09	1.09	1.15	1.15	1.16	1.22	1.22	1.22	1.23	1.23
	14	TC	13197	13215	13230	13247	13988	14006	14023	14041	14875	14896	14916	15802	15824	15842	15862	15883
		S/T	0.33	0.37	0.44	0.50	0.35	0.40	0.46	0.53	0.37	0.42	0.49	0.56	0.64	0.73	0.83	0.94
		PI	0.97	0.97	0.97	0.98	1.03	1.03	1.03	1.03	1.09	1.09	1.10	1.16	1.16	1.16	1.16	1.16
	23	TC	13195	13213	13228	13246	13986	14004	14021	14039	14873	14894	14914	15800	15822	15840	15861	15881
		S/T	0.33	0.38	0.44	0.50	0.35	0.40	0.46	0.53	0.37	0.42	0.49	0.56	0.64	0.73	0.83	0.95
		PI	0.96	0.96	0.96	0.96	1.01	1.01	1.02	1.02	1.07	1.07	1.08	1.14	1.14	1.14	1.14	1.14
	32	TC	13314	13332	13347	13365	14113	14130	14148	14166	15000	15020	15041	15926	15948	15966	15987	16008
		S/T	0.33	0.38	0.44	0.50	0.35	0.40	0.47	0.53	0.37	0.42	0.50	0.56	0.64	0.73	0.84	0.95
		PI	0.96	0.96	0.96	0.96	1.01	1.02	1.02	1.02	1.07	1.08	1.08	1.14	1.14	1.14	1.14	1.14
	41	TC	13267	13285	13300	13318	14063	14080	14098	14116	14950	14970	14991	15877	15898	15916	15937	15958
		S/T	0.33	0.38	0.44	0.51	0.35	0.40	0.47	0.54	0.37	0.43	0.50	0.57	0.65	0.74	0.84	0.96
		PI	0.96	0.96	0.97	0.97	1.02	1.02	1.02	1.02	1.08	1.08	1.08	1.15	1.15	1.15	1.15	1.15
	50	TC	13283	13301	13316	13334	14079	14097	14115	14132	14966	14987	15007	15893	15915	15933	15954	15975
		S/T	0.33	0.38	0.45	0.51	0.35	0.40	0.47	0.54	0.38	0.43	0.50	0.57	0.65	0.74	0.85	0.96
		PI	0.98	0.98	0.98	0.98	1.04	1.04	1.04	1.04	1.10	1.10	1.10	1.16	1.17	1.17	1.17	1.17
	59	TC	13589	13607	13623	13641	14405	14422	14440	14458	15292	15312	15333	16219	16240	16258	16279	16300
		S/T	0.34	0.38	0.45	0.51	0.36	0.41	0.47	0.54	0.38	0.43	0.50	0.57	0.65	0.75	0.85	0.97
		PI	1.01	1.01	1.01	1.01	1.07	1.07	1.07	1.07	1.13	1.13	1.14	1.20	1.20	1.20	1.20	1.21
	68	TC	13895	13914	13930	13949	14730	14748	14766	14783	15617	15638	15658	16544	16566	16584	16605	16625
		S/T	0.34	0.38	0.45	0.51	0.36	0.41	0.48	0.54	0.38	0.43	0.51	0.58	0.66	0.75	0.85	0.97
		PI	1.04	1.04	1.04	1.04	1.10	1.10	1.10	1.10	1.17	1.17	1.17	1.23	1.24	1.24	1.24	1.24
	77	TC	14202	14221	14237	14256	15056	15073	15091	15109	15943	15963	15984	16870	16891	16909	16930	16951
		S/T	0.35	0.39	0.46	0.53	0.37	0.42	0.49	0.56	0.39	0.44	0.52	0.59	0.67	0.77	0.88	1.00
		PI	1.07	1.07	1.07	1.07	1.13	1.13	1.13	1.14	1.20	1.20	1.20	1.27	1.27	1.27	1.27	1.28
	86	TC	13849	13867	13883	13902	14681	14698	14716	14734	15568	15588	15609	16495	16516	16534	16555	16576
		S/T	0.35	0.40	0.47	0.53	0.37	0.42	0.50	0.57	0.39	0.45	0.53	0.60	0.68	0.78	0.89	1.00
		PI	1.17	1.17	1.17	1.17	1.24	1.24	1.24	1.24	1.31	1.31	1.32	1.39	1.39	1.39	1.39	1.40
	95	TC	14003	14022	14038	14056	14845	14862	14880	14897	15732	15752	15773	16658	16680	16698	16719	16740
		S/T	0.36	0.41	0.48	0.55	0.38	0.43	0.51	0.58	0.40	0.46	0.54	0.61	0.70	0.80	0.91	1.00
		PI	1.21	1.21	1.22	1.22	1.29	1.29	1.29	1.29	1.36	1.36	1.37	1.44	1.45	1.45	1.45	1.45
	104	TC	10290	10304	10315	10329	10899	10917	10934	10952	11786	11807	11827	12713	12735	12753	12773	12794
		S/T	0.38	0.43	0.50	0.57	0.40	0.46	0.53	0.61	0.42	0.48	0.57	0.65	0.74	0.84	0.96	1.00
		PI	1.06	1.06	1.06	1.06	1.12	1.12	1.13	1.13	1.19	1.19	1.19	1.27	1.27	1.28	1.28	1.28
	115	TC	7506	7516	7524	7535	7941	7958	7976	7993	8828	8848	8869	9754	9776	9794	9815	9836
		S/T	0.38	0.44	0.51	0.58	0.41	0.46	0.54	0.62	0.43	0.49	0.57	0.65	0.74	0.85	0.97	1.00
		PI	0.93	0.93	0.93	0.93	0.98	0.98	0.98	0.98	1.04	1.04	1.04	1.10	1.10	1.10	1.10	1.10
122	TC	5011	5018	5024	5031	5273	5299	5325	5351	6589	6620	6650	7965	7997	8024	8055	8085	
	S/T	0.40	0.45	0.53	0.60	0.42	0.48	0.56	0.64	0.44	0.51	0.59	0.68	0.77	0.88	1.00	1.00	
	PI	0.81	0.81	0.81	0.81	0.86	0.86	0.86	0.86	0.91	0.91	0.91	0.96	0.96	0.96	0.97	0.97	

PERFORMANCE NON-DUCTED 18K (Sheet 3 of 4)

AIRFLOW (CFM)	OUTDOOR DB °F	ID WB(°F) ID DB(°F)	60.8				64.4				66.2				71.6			
			73.4	77.0	80.6	84.2	73.4	77.0	80.6	84.2	73.4	77.0	80.6	84.2	73.4	77.0	80.6	84.2
High	-22	TC	21029	21057	21081	21109	22294	22320	22346	22372	23610	23640	23671	24985	25017	25044	25075	25106
		S/T	0.48	0.54	0.63	0.72	0.50	0.58	0.67	0.77	0.53	0.61	0.71	0.81	0.93	1.00	1.00	1.00
		PI	1.76	1.76	1.77	1.77	1.87	1.87	1.87	1.87	1.98	1.98	1.99	2.10	2.10	2.10	2.10	2.11
	-10	TC	20547	20575	20598	20626	21782	21808	21834	21860	23098	23129	23159	24473	24506	24533	24563	24594
		S/T	0.48	0.55	0.64	0.73	0.51	0.58	0.68	0.77	0.54	0.61	0.72	0.82	0.93	1.00	1.00	1.00
		PI	1.66	1.66	1.66	1.66	1.76	1.76	1.76	1.76	1.86	1.86	1.87	1.97	1.97	1.97	1.98	1.98
	0	TC	20146	20173	20196	20223	21355	21381	21408	21434	22672	22702	22732	24047	24079	24106	24137	24168
		S/T	0.48	0.55	0.64	0.73	0.51	0.58	0.68	0.78	0.54	0.62	0.72	0.82	0.94	1.00	1.00	1.00
		PI	1.57	1.57	1.57	1.57	1.66	1.66	1.67	1.67	1.76	1.76	1.77	1.86	1.87	1.87	1.87	1.87
	5	TC	19945	19972	19995	20022	21142	21168	21194	21221	22458	22489	22519	23834	23866	23893	23924	23954
		S/T	0.48	0.55	0.64	0.73	0.51	0.58	0.68	0.78	0.54	0.62	0.72	0.83	0.94	1.00	1.00	1.00
		PI	1.52	1.52	1.53	1.53	1.61	1.62	1.62	1.62	1.71	1.71	1.72	1.81	1.81	1.82	1.82	1.82
	14	TC	19584	19611	19633	19659	20758	20784	20810	20837	22075	22105	22135	23450	23482	23509	23540	23571
		S/T	0.49	0.55	0.65	0.74	0.51	0.59	0.69	0.78	0.55	0.62	0.73	0.83	0.95	1.00	1.00	1.00
		PI	1.44	1.44	1.45	1.45	1.53	1.53	1.53	1.53	1.62	1.62	1.63	1.72	1.72	1.72	1.72	1.72
	23	TC	19581	19608	19630	19656	20755	20781	20808	20834	22072	22102	22133	23447	23479	23506	23537	23568
		S/T	0.49	0.56	0.65	0.74	0.52	0.59	0.69	0.79	0.55	0.63	0.73	0.83	0.95	1.00	1.00	1.00
		PI	1.42	1.42	1.42	1.42	1.50	1.50	1.51	1.51	1.59	1.59	1.60	1.69	1.69	1.69	1.69	1.69
	32	TC	19758	19785	19807	19834	20943	20969	20995	21021	22259	22290	22320	23635	23667	23694	23725	23755
		S/T	0.49	0.56	0.65	0.75	0.52	0.59	0.69	0.79	0.55	0.63	0.74	0.84	0.96	1.00	1.00	1.00
		PI	1.42	1.42	1.42	1.43	1.51	1.51	1.51	1.51	1.60	1.60	1.60	1.69	1.69	1.69	1.70	1.70
	41	TC	19689	19715	19737	19764	20869	20895	20921	20948	22186	22216	22246	23561	23593	23620	23651	23682
		S/T	0.49	0.56	0.66	0.75	0.52	0.60	0.70	0.79	0.55	0.63	0.74	0.84	0.96	1.00	1.00	1.00
		PI	1.43	1.43	1.43	1.43	1.52	1.52	1.52	1.52	1.61	1.61	1.61	1.70	1.70	1.70	1.71	1.71
	50	TC	19712	19738	19760	19787	20894	20920	20946	20972	22210	22240	22271	23585	23617	23644	23675	23706
		S/T	0.50	0.57	0.66	0.75	0.53	0.60	0.70	0.80	0.56	0.63	0.74	0.85	0.96	1.00	1.00	1.00
		PI	1.45	1.45	1.46	1.46	1.54	1.54	1.54	1.55	1.63	1.63	1.64	1.73	1.73	1.73	1.73	1.74
	59	TC	20166	20193	20216	20243	21377	21403	21429	21455	22693	22723	22754	24068	24100	24127	24158	24189
		S/T	0.50	0.57	0.66	0.76	0.53	0.60	0.70	0.80	0.56	0.64	0.75	0.85	0.97	1.00	1.00	1.00
		PI	1.50	1.50	1.50	1.50	1.59	1.59	1.59	1.59	1.68	1.68	1.69	1.78	1.78	1.78	1.79	1.79
	68	TC	20621	20648	20672	20699	21860	21886	21912	21938	23176	23206	23237	24551	24583	24610	24641	24672
		S/T	0.50	0.57	0.67	0.76	0.53	0.60	0.71	0.81	0.56	0.64	0.75	0.86	0.97	1.00	1.00	1.00
		PI	1.54	1.54	1.54	1.55	1.63	1.63	1.64	1.64	1.73	1.73	1.73	1.83	1.83	1.84	1.84	1.84
	77	TC	21075	21104	21127	21156	22343	22369	22395	22421	23659	23689	23720	25034	25066	25093	25124	25155
		S/T	0.51	0.59	0.69	0.78	0.54	0.62	0.73	0.83	0.58	0.66	0.77	0.88	1.00	1.00	1.00	1.00
		PI	1.58	1.59	1.59	1.59	1.68	1.68	1.68	1.68	1.78	1.78	1.78	1.88	1.89	1.89	1.89	1.89
	86	TC	20551	20579	20602	20630	21786	21812	21838	21865	23102	23133	23163	24478	24510	24537	24568	24598
		S/T	0.52	0.59	0.69	0.79	0.55	0.63	0.74	0.84	0.59	0.67	0.78	0.89	1.00	1.00	1.00	1.00
		PI	1.73	1.73	1.74	1.74	1.84	1.84	1.84	1.84	1.95	1.95	1.95	2.06	2.06	2.07	2.07	2.07
	95	TC	20780	20808	20832	20860	22029	22055	22081	22108	23346	23376	23406	24721	24753	24780	24811	24842
		S/T	0.53	0.61	0.71	0.81	0.57	0.65	0.75	0.86	0.60	0.68	0.80	0.91	0.64	0.74	0.85	0.97
		PI	1.80	1.80	1.80	1.81	1.91	1.91	1.91	1.92	2.02	2.03	2.03	2.14	2.14	2.15	2.15	2.15
	104	TC	15270	15291	15308	15329	16174	16200	16226	16253	17491	17521	17551	18866	18898	18925	18956	18987
		S/T	0.56	0.64	0.75	0.85	0.59	0.68	0.79	0.90	0.63	0.72	0.84	0.96	1.00	1.00	1.00	1.00
		PI	1.57	1.57	1.58	1.58	1.67	1.67	1.67	1.67	1.77	1.77	1.77	1.89	1.89	1.89	1.89	1.90
	115	TC	11139	11154	11166	11181	11784	11810	11836	11862	13100	13131	13161	14475	14508	14534	14565	14596
		S/T	0.57	0.65	0.76	0.86	0.60	0.69	0.80	0.91	0.64	0.73	0.85	0.97	1.00	1.00	1.00	1.00
		PI	1.37	1.38	1.38	1.38	1.46	1.46	1.46	1.46	1.54	1.54	1.55	1.63	1.63	1.63	1.64	1.64
122	TC	8040	8051	8060	8071	8492	8518	8544	8570	9808	9838	9869	11183	11215	11242	11273	11304	
	S/T	0.59	0.67	0.78	0.89	0.62	0.71	0.83	0.95	0.66	0.75	0.88	1.00	1.00	1.00	1.00	1.00	
	PI	1.20	1.20	1.20	1.20	1.27	1.27	1.27	1.28	1.35	1.35	1.35	1.43	1.43	1.43	1.43	1.43	

PERFORMANCE NON-DUCTED 18K (Sheet 4 of 4)

AIRFLOW (CFM)	OUTDOOR DB °F	ID WB(°F) ID DB(°F)	60.8				64.4				66.2				71.6			
			73.4	77.0	80.6	84.2	73.4	77.0	80.6	84.2	73.4	77.0	80.6	84.2	73.4	77.0	80.6	84.2
Turbo	-22	TC	22758	22788	22814	22845	24125	24154	24183	24211	25567	25600	25634	27073	27108	27138	27172	27205
		S/T	0.52	0.59	0.69	0.78	0.55	0.62	0.73	0.83	0.58	0.66	0.77	0.88	1.00	1.00	1.00	1.00
		PI	1.91	1.91	1.91	1.92	2.02	2.03	2.03	2.03	2.14	2.15	2.15	2.27	2.27	2.28	2.28	2.28
	-10	TC	22266	22295	22320	22351	23604	23632	23660	23688	25014	25047	25079	26488	26522	26551	26584	26617
		S/T	0.52	0.59	0.69	0.79	0.55	0.63	0.73	0.84	0.58	0.66	0.78	0.89	1.00	1.00	1.00	1.00
		PI	1.79	1.80	1.80	1.80	1.90	1.90	1.91	1.91	2.01	2.02	2.02	2.13	2.14	2.14	2.14	2.14
	0	TC	21855	21885	21909	21939	23169	23197	23224	23252	24554	24585	24617	26000	26034	26062	26094	26127
		S/T	0.52	0.60	0.70	0.79	0.55	0.63	0.74	0.84	0.59	0.67	0.78	0.89	1.00	1.00	1.00	1.00
		PI	1.70	1.70	1.70	1.70	1.80	1.80	1.80	1.81	1.91	1.91	1.91	2.02	2.02	2.02	2.03	2.03
	5	TC	21650	21680	21704	21733	22952	22979	23006	23033	24323	24355	24387	25756	25790	25818	25850	25882
		S/T	0.52	0.60	0.70	0.80	0.55	0.63	0.74	0.84	0.59	0.67	0.78	0.89	1.00	1.00	1.00	1.00
		PI	1.65	1.65	1.65	1.66	1.75	1.75	1.75	1.75	1.85	1.85	1.86	1.96	1.96	1.97	1.97	1.97
	14	TC	21281	21310	21334	21363	22560	22587	22614	22641	23909	23940	23971	25317	25350	25378	25409	25441
		S/T	0.53	0.60	0.70	0.80	0.56	0.64	0.74	0.85	0.59	0.67	0.79	0.90	1.00	1.00	1.00	1.00
		PI	1.56	1.56	1.57	1.57	1.66	1.66	1.66	1.66	1.76	1.76	1.76	1.86	1.86	1.86	1.87	1.87
	23	TC	21279	21307	21331	21360	22558	22584	22611	22638	23906	23937	23968	25314	25347	25374	25406	25437
		S/T	0.53	0.60	0.70	0.80	0.56	0.64	0.75	0.85	0.59	0.68	0.79	0.90	1.00	1.00	1.00	1.00
		PI	1.54	1.54	1.54	1.54	1.63	1.63	1.63	1.63	1.72	1.73	1.73	1.83	1.83	1.83	1.83	1.84
	32	TC	21459	21488	21512	21541	22749	22776	22803	22830	24108	24140	24171	25528	25562	25589	25621	25653
		S/T	0.53	0.61	0.71	0.81	0.56	0.64	0.75	0.86	0.60	0.68	0.80	0.91	1.00	1.00	1.00	1.00
		PI	1.54	1.54	1.54	1.54	1.63	1.63	1.63	1.64	1.73	1.73	1.73	1.83	1.83	1.83	1.84	1.84
	41	TC	21388	21417	21441	21470	22674	22700	22727	22754	24028	24060	24091	25444	25477	25505	25536	25568
		S/T	0.53	0.61	0.71	0.81	0.57	0.65	0.75	0.86	0.60	0.68	0.80	0.91	1.00	1.00	1.00	1.00
		PI	1.55	1.55	1.55	1.55	1.64	1.64	1.64	1.65	1.74	1.74	1.74	1.84	1.84	1.85	1.85	1.85
	50	TC	21412	21440	21464	21493	22699	22725	22752	22779	24055	24086	24117	25472	25505	25533	25565	25596
		S/T	0.54	0.61	0.72	0.82	0.57	0.65	0.76	0.86	0.60	0.69	0.80	0.92	1.00	1.00	1.00	1.00
		PI	1.57	1.58	1.58	1.58	1.67	1.67	1.67	1.67	1.77	1.77	1.77	1.87	1.87	1.88	1.88	1.88
	59	TC	21876	21905	21930	21960	23191	23218	23246	23273	24577	24609	24641	26024	26058	26087	26119	26151
		S/T	0.54	0.61	0.72	0.82	0.57	0.65	0.76	0.87	0.61	0.69	0.81	0.92	1.00	1.00	1.00	1.00
		PI	1.62	1.62	1.62	1.63	1.72	1.72	1.72	1.72	1.82	1.82	1.83	1.93	1.93	1.93	1.93	1.94
	68	TC	22340	22370	22396	22426	23683	23711	23739	23767	25098	25131	25164	26577	26611	26640	26673	26707
		S/T	0.54	0.62	0.72	0.82	0.57	0.66	0.77	0.87	0.61	0.69	0.81	0.93	1.00	1.00	1.00	1.00
		PI	1.67	1.67	1.67	1.67	1.77	1.77	1.77	1.77	1.87	1.88	1.88	1.98	1.99	1.99	1.99	1.99
	77	TC	22805	22835	22861	22892	24175	24204	24233	24261	25620	25653	25687	27129	27164	27194	27228	27262
		S/T	0.56	0.63	0.74	0.85	0.59	0.67	0.79	0.90	0.63	0.71	0.83	0.95	1.00	1.00	1.00	1.00
		PI	1.71	1.72	1.72	1.72	1.82	1.82	1.82	1.82	1.93	1.93	1.93	2.04	2.04	2.04	2.05	2.05
	86	TC	22270	22300	22325	22355	23608	23636	23664	23692	25019	25051	25084	26493	26527	26556	26589	26622
		S/T	0.56	0.64	0.75	0.86	0.60	0.68	0.80	0.91	0.63	0.72	0.84	0.96	1.00	1.00	1.00	1.00
		PI	1.88	1.88	1.88	1.88	1.99	1.99	1.99	2.00	2.11	2.11	2.11	2.23	2.23	2.24	2.24	2.24
	95	TC	22503	22534	22559	22589	23856	23884	23912	23941	25281	25314	25347	26771	26805	26835	26868	26901
		S/T	0.58	0.66	0.77	0.88	0.61	0.70	0.82	0.93	0.65	0.74	0.87	0.99	1.00	1.00	1.00	1.00
		PI	1.95	1.95	1.95	1.96	2.07	2.07	2.07	2.07	2.19	2.19	2.20	2.32	2.32	2.33	2.33	2.33
	104	TC	16874	16897	16916	16939	17888	17910	17931	17952	18957	18982	19007	20074	20100	20122	20147	20172
		S/T	0.61	0.69	0.81	0.92	0.64	0.73	0.86	0.98	0.68	0.75	0.91	1.00	1.00	1.00	1.00	1.00
		PI	1.70	1.71	1.71	1.71	1.81	1.81	1.81	1.81	1.91	1.92	1.92	2.03	2.03	2.03	2.03	2.04
	115	TC	12653	12670	12684	12702	13414	13430	13446	13461	14215	14234	14252	15053	15072	15089	15107	15126
		S/T	0.61	0.70	0.82	0.93	0.65	0.74	0.87	0.99	0.69	0.75	0.92	1.00	1.00	1.00	1.00	1.00
		PI	1.49	1.49	1.49	1.49	1.58	1.58	1.58	1.58	1.67	1.67	1.68	1.77	1.77	1.77	1.78	1.78
122	TC	9488	9501	9511	9524	10058	10070	10082	10094	10659	10673	10687	11287	11302	11314	11328	11342	
	S/T	0.64	0.73	0.85	0.97	0.67	0.75	0.90	1.00	0.71	0.75	0.95	1.00	1.00	1.00	1.00	1.00	
	PI	1.30	1.30	1.30	1.30	1.38	1.38	1.38	1.38	1.46	1.46	1.46	1.55	1.55	1.55	1.55	1.55	

NOTE: Data highlighted in gray is extrapolated data and not actual test data. At 77°F outdoor conditions sweat protection activates causing a decrease in total capacity.

LEGEND

TC - Total Net Capacity (Btu/hour)
 S/T: Sensible Cooling Capacity Ratio
 PI: Power Input (kW)
 Extrapolated Data

COOLING PERFORMANCE NON-DUCTED

COOLING PERFORMANCE 24K

PERFORMANCE NON-DUCTED 24K (Sheet 1 of 4)

AIRFLOW (CFM)	OUTDOOR DB °F	ID WB (°F) ID DB (°F)	60.8				64.4				66.2				71.6			
			73.4	77.0	80.6	84.2	73.4	77.0	80.6	84.2	73.4	77.0	80.6	84.2	73.4	77.0	80.6	84.2
Low	-22	TC	14223	14242	14258	14277	15078	15096	15113	15131	15979	15999	16020	16963	16986	17006	17028	17050
		S/T	0.22	0.25	0.29	0.33	0.23	0.26	0.31	0.35	0.24	0.28	0.32	0.37	0.42	0.48	0.55	0.62
		PI	1.05	1.05	1.05	1.05	1.11	1.11	1.12	1.12	1.18	1.18	1.18	1.25	1.25	1.25	1.25	1.26
	-10	TC	14622	14642	14658	14678	15501	15519	15538	15556	16427	16448	16470	17413	17436	17455	17477	17499
		S/T	0.22	0.25	0.29	0.33	0.23	0.26	0.31	0.35	0.24	0.28	0.33	0.37	0.42	0.48	0.55	0.63
		PI	1.02	1.02	1.02	1.02	1.08	1.08	1.08	1.08	1.15	1.15	1.15	1.21	1.21	1.22	1.22	1.22
	0	TC	14955	14975	14991	15012	15853	15872	15891	15910	16801	16823	16844	17787	17810	17830	17852	17874
		S/T	0.22	0.25	0.29	0.33	0.23	0.26	0.31	0.35	0.25	0.28	0.33	0.37	0.43	0.49	0.55	0.63
		PI	0.99	1.00	1.00	1.00	1.05	1.06	1.06	1.06	1.12	1.12	1.12	1.18	1.18	1.19	1.19	1.19
	5	TC	15121	15141	15158	15179	16030	16049	16068	16087	16988	17010	17032	17975	17998	18017	18039	18061
		S/T	0.22	0.25	0.29	0.33	0.23	0.26	0.31	0.35	0.25	0.28	0.33	0.37	0.43	0.49	0.55	0.63
		PI	0.98	0.98	0.98	0.99	1.04	1.04	1.04	1.04	1.10	1.10	1.11	1.17	1.17	1.17	1.17	1.17
	14	TC	15420	15441	15458	15479	16347	16366	16386	16405	17324	17346	17369	18312	18335	18354	18376	18398
		S/T	0.22	0.25	0.29	0.33	0.23	0.27	0.31	0.35	0.25	0.28	0.33	0.38	0.43	0.49	0.56	0.64
		PI	0.96	0.96	0.96	0.96	1.02	1.02	1.02	1.02	1.08	1.08	1.08	1.14	1.14	1.14	1.14	1.15
	23	TC	16681	16704	16722	16745	17684	17705	17726	17747	18741	18765	18789	19732	19755	19775	19797	19819
		S/T	0.22	0.25	0.30	0.34	0.23	0.27	0.31	0.36	0.25	0.28	0.33	0.38	0.43	0.49	0.56	0.64
		PI	0.98	0.98	0.98	0.98	1.04	1.04	1.04	1.04	1.10	1.10	1.10	1.16	1.16	1.17	1.17	1.17
	32	TC	18423	18448	18469	18494	19531	19554	19577	19600	20698	20725	20752	21694	21718	21737	21759	21781
		S/T	0.22	0.25	0.30	0.34	0.24	0.27	0.31	0.36	0.25	0.28	0.33	0.38	0.43	0.49	0.56	0.64
		PI	1.02	1.02	1.02	1.02	1.08	1.08	1.08	1.08	1.14	1.15	1.15	1.21	1.21	1.21	1.22	1.22
	41	TC	18608	18633	18654	18679	19726	19750	19773	19797	20905	20932	20960	21903	21926	21945	21967	21989
		S/T	0.22	0.25	0.30	0.34	0.24	0.27	0.32	0.36	0.25	0.29	0.33	0.38	0.44	0.50	0.57	0.64
		PI	1.04	1.04	1.04	1.05	1.10	1.11	1.11	1.11	1.17	1.17	1.17	1.24	1.24	1.24	1.24	1.25
	50	TC	18159	18184	18204	18229	19251	19273	19296	19319	20401	20428	20454	21397	21420	21439	21462	21484
		S/T	0.22	0.26	0.30	0.34	0.24	0.27	0.32	0.36	0.25	0.29	0.34	0.38	0.44	0.50	0.57	0.65
		PI	1.06	1.06	1.06	1.07	1.13	1.13	1.13	1.13	1.19	1.19	1.20	1.26	1.26	1.27	1.27	1.27
	59	TC	18001	18025	18045	18069	19082	19105	19128	19150	20223	20249	20275	21218	21241	21261	21283	21305
		S/T	0.23	0.26	0.30	0.34	0.24	0.27	0.32	0.36	0.25	0.29	0.34	0.39	0.44	0.50	0.57	0.65
		PI	1.09	1.09	1.09	1.10	1.16	1.16	1.16	1.16	1.23	1.23	1.23	1.30	1.30	1.30	1.30	1.30
	68	TC	17842	17866	17886	17910	18914	18937	18959	18982	20045	20071	20097	21040	21063	21082	21104	21126
		S/T	0.23	0.26	0.30	0.34	0.24	0.27	0.32	0.37	0.26	0.29	0.34	0.39	0.44	0.50	0.57	0.65
		PI	1.12	1.12	1.12	1.13	1.19	1.19	1.19	1.19	1.26	1.26	1.26	1.33	1.34	1.34	1.34	1.34
	77	TC	17683	17707	17727	17751	18746	18768	18791	18813	19866	19892	19918	20861	20884	20903	20925	20948
		S/T	0.23	0.27	0.31	0.35	0.25	0.28	0.33	0.38	0.26	0.30	0.35	0.40	0.45	0.52	0.59	0.67
		PI	1.15	1.15	1.15	1.15	1.22	1.22	1.22	1.22	1.29	1.29	1.30	1.37	1.37	1.37	1.37	1.38
	86	TC	15527	15548	15565	15586	16460	16479	16499	16519	17444	17466	17489	18432	18455	18474	18496	18519
		S/T	0.24	0.27	0.31	0.36	0.25	0.29	0.33	0.38	0.27	0.30	0.35	0.40	0.46	0.52	0.60	0.68
		PI	1.27	1.27	1.27	1.28	1.35	1.35	1.35	1.35	1.43	1.43	1.43	1.51	1.51	1.52	1.52	1.52
	95	TC	14907	14927	14944	14964	15803	15822	15840	15859	16747	16769	16791	17734	17757	17776	17798	17821
		S/T	0.24	0.28	0.32	0.37	0.26	0.29	0.34	0.39	0.27	0.31	0.36	0.41	0.47	0.54	0.61	0.70
		PI	1.32	1.32	1.33	1.33	1.40	1.40	1.40	1.41	1.49	1.49	1.49	1.57	1.57	1.58	1.58	1.58
	104	TC	13564	13583	13598	13616	14380	14397	14414	14431	15239	15259	15279	16222	16245	16264	16286	16308
		S/T	0.25	0.29	0.34	0.39	0.27	0.31	0.36	0.41	0.29	0.33	0.38	0.43	0.49	0.56	0.64	0.73
		PI	1.16	1.16	1.16	1.16	1.23	1.23	1.23	1.23	1.30	1.30	1.31	1.39	1.39	1.39	1.40	1.40
	115	TC	12343	12359	12373	12390	13085	13100	13116	13131	13866	13884	13902	14845	14869	14888	14910	14932
		S/T	0.26	0.29	0.34	0.39	0.27	0.31	0.36	0.41	0.29	0.33	0.39	0.44	0.50	0.57	0.65	0.74
		PI	1.02	1.02	1.02	1.02	1.08	1.08	1.08	1.08	1.14	1.14	1.15	1.21	1.21	1.21	1.21	1.22
122	TC	11231	11246	11259	11274	11906	11920	11934	11948	12618	12634	12650	14051	14085	14114	14147	14179	
	S/T	0.27	0.30	0.36	0.40	0.28	0.32	0.38	0.43	0.30	0.34	0.40	0.45	0.52	0.59	0.67	0.77	
	PI	0.89	0.89	0.89	0.90	0.95	0.95	0.95	0.95	1.00	1.00	1.01	1.06	1.06	1.06	1.07	1.07	

PERFORMANCE NON-DUCTED 24K (Sheet 2 of 4)

AIRFLOW (CFM)	OUTDOOR DB °F	ID WB (°F) ID DB (°F)	60.8				64.4				66.2				71.6			
			73.4	77.0	80.6	84.2	73.4	77.0	80.6	84.2	73.4	77.0	80.6	84.20	73.4	77.0	80.6	84.2
Med	-22	TC	18265	18290	18310	18335	19361	19385	19409	19433	20577	20605	20633	21848	21877	21902	21931	21959
		S/T	0.32	0.37	0.43	0.49	0.34	0.39	0.45	0.52	0.36	0.41	0.48	0.55	0.62	0.71	0.81	0.92
		PI	1.55	1.55	1.56	1.56	1.65	1.65	1.65	1.65	1.74	1.75	1.75	1.85	1.85	1.85	1.85	1.85
	-10	TC	18810	18835	18857	18882	19940	19964	19988	20012	21156	21184	21212	22427	22456	22481	22510	22538
		S/T	0.32	0.37	0.43	0.49	0.34	0.39	0.46	0.52	0.36	0.41	0.48	0.55	0.63	0.72	0.82	0.93
		PI	1.51	1.51	1.51	1.51	1.60	1.60	1.60	1.60	1.69	1.70	1.70	1.79	1.80	1.80	1.80	1.80
	0	TC	19264	19290	19312	19338	20422	20446	20470	20495	21638	21666	21694	22909	22939	22964	22992	23021
		S/T	0.32	0.37	0.43	0.49	0.34	0.39	0.46	0.52	0.36	0.42	0.49	0.55	0.63	0.72	0.82	0.94
		PI	1.47	1.47	1.47	1.47	1.56	1.56	1.56	1.56	1.65	1.65	1.65	1.75	1.75	1.75	1.75	1.76
	5	TC	19491	19517	19539	19566	20663	20687	20712	20736	21880	21908	21936	23150	23180	23205	23233	23262
		S/T	0.33	0.37	0.43	0.49	0.34	0.39	0.46	0.52	0.37	0.42	0.49	0.56	0.63	0.72	0.82	0.94
		PI	1.45	1.45	1.45	1.46	1.54	1.54	1.54	1.54	1.63	1.63	1.63	1.73	1.73	1.73	1.73	1.73
	14	TC	19900	19927	19949	19976	21098	21122	21146	21170	22314	22342	22370	23584	23614	23639	23667	23696
		S/T	0.33	0.37	0.44	0.50	0.35	0.40	0.46	0.53	0.37	0.42	0.49	0.56	0.64	0.73	0.83	0.94
		PI	1.42	1.42	1.42	1.42	1.50	1.50	1.50	1.51	1.59	1.59	1.60	1.68	1.69	1.69	1.69	1.69
	23	TC	21621	21651	21675	21704	22927	22951	22975	23000	24143	24171	24199	25414	25444	25468	25497	25526
		S/T	0.33	0.37	0.44	0.50	0.35	0.40	0.46	0.53	0.37	0.42	0.49	0.56	0.64	0.73	0.83	0.95
		PI	1.44	1.45	1.45	1.45	1.53	1.53	1.54	1.54	1.62	1.63	1.63	1.72	1.72	1.72	1.72	1.73
	32	TC	24000	24032	24059	24091	25454	25478	25502	25527	26670	26698	26727	27941	27971	27996	28024	28053
		S/T	0.33	0.38	0.44	0.50	0.35	0.40	0.47	0.53	0.37	0.42	0.49	0.56	0.64	0.73	0.84	0.95
		PI	1.50	1.51	1.51	1.51	1.59	1.60	1.60	1.60	1.69	1.69	1.69	1.79	1.79	1.79	1.80	1.80
	41	TC	24252	24285	24312	24345	25722	25746	25771	25795	26938	26967	26995	28209	28239	28264	28292	28321
		S/T	0.33	0.38	0.44	0.50	0.35	0.40	0.47	0.54	0.37	0.43	0.50	0.57	0.65	0.74	0.84	0.96
		PI	1.54	1.54	1.54	1.55	1.63	1.63	1.64	1.64	1.73	1.73	1.73	1.83	1.83	1.84	1.84	1.84
	50	TC	23639	23671	23698	23730	25071	25095	25119	25144	26287	26315	26344	27558	27588	27613	27641	27670
		S/T	0.33	0.38	0.44	0.51	0.35	0.40	0.47	0.54	0.37	0.43	0.50	0.57	0.65	0.74	0.84	0.96
		PI	1.57	1.57	1.57	1.57	1.66	1.67	1.67	1.67	1.76	1.76	1.77	1.87	1.87	1.87	1.87	1.88
	59	TC	23423	23454	23480	23512	24841	24865	24889	24914	26057	26085	26113	27328	27358	27382	27411	27439
		S/T	0.34	0.38	0.45	0.51	0.36	0.41	0.47	0.54	0.38	0.43	0.50	0.57	0.65	0.74	0.85	0.97
		PI	1.61	1.61	1.62	1.62	1.71	1.71	1.71	1.72	1.81	1.81	1.82	1.92	1.92	1.92	1.93	1.93
	68	TC	23206	23237	23263	23295	24611	24635	24659	24683	25827	25855	25883	27098	27127	27152	27181	27209
		S/T	0.34	0.38	0.45	0.51	0.36	0.41	0.48	0.54	0.38	0.43	0.51	0.58	0.66	0.75	0.85	0.97
		PI	1.66	1.66	1.66	1.66	1.76	1.76	1.76	1.76	1.86	1.86	1.87	1.97	1.97	1.98	1.98	1.98
	77	TC	22989	23020	23046	23077	24381	24405	24429	24453	25597	25625	25653	26868	26897	26922	26951	26979
		S/T	0.35	0.39	0.46	0.53	0.37	0.42	0.49	0.56	0.39	0.44	0.52	0.59	0.67	0.77	0.88	1.00
		PI	1.70	1.70	1.70	1.71	1.80	1.80	1.81	1.81	1.91	1.91	1.92	2.02	2.03	2.03	2.03	2.03
	86	TC	20045	20072	20095	20122	21252	21276	21300	21325	22468	22496	22525	23739	23769	23794	23822	23851
		S/T	0.35	0.40	0.47	0.53	0.37	0.42	0.50	0.56	0.39	0.45	0.53	0.60	0.68	0.78	0.89	1.00
		PI	1.88	1.88	1.88	1.89	1.99	1.99	2.00	2.00	2.11	2.11	2.12	2.23	2.24	2.24	2.24	2.25
	95	TC	19199	19225	19247	19273	20353	20377	20401	20426	21569	21597	21626	22840	22870	22895	22923	22952
		S/T	0.36	0.41	0.48	0.55	0.38	0.43	0.51	0.58	0.40	0.46	0.54	0.61	0.70	0.80	0.91	1.00
		PI	1.95	1.96	1.96	1.96	2.07	2.07	2.08	2.08	2.19	2.20	2.20	2.32	2.33	2.33	2.33	2.34
	104	TC	17366	17390	17409	17433	18405	18430	18454	18478	19622	19650	19678	20892	20922	20947	20975	21004
		S/T	0.38	0.43	0.50	0.57	0.40	0.46	0.53	0.61	0.42	0.48	0.57	0.64	0.74	0.84	0.96	1.00
		PI	1.71	1.72	1.72	1.72	1.82	1.82	1.82	1.82	1.93	1.93	1.93	2.05	2.06	2.06	2.06	2.07
	115	TC	15698	15720	15737	15758	16633	16657	16681	16706	17849	17877	17905	19120	19150	19175	19203	19232
		S/T	0.38	0.44	0.51	0.58	0.40	0.46	0.54	0.62	0.43	0.49	0.57	0.65	0.74	0.85	0.97	1.00
		PI	1.50	1.51	1.51	1.51	1.59	1.60	1.60	1.60	1.69	1.69	1.69	1.78	1.79	1.79	1.79	1.80
122	TC	13622	13640	13656	13674	14403	14439	14475	14511	16209	16251	16293	18096	18141	18178	18220	18262	
	S/T	0.40	0.45	0.53	0.60	0.42	0.48	0.56	0.64	0.44	0.51	0.59	0.68	0.77	0.88	1.00	1.00	
	PI	1.32	1.32	1.32	1.32	1.40	1.40	1.40	1.40	1.48	1.48	1.49	1.57	1.57	1.57	1.58	1.58	

PERFORMANCE NON-DUCTED 24K (Sheet 3 of 4)

AIRFLOW (CFM)	OUTDOOR DB °F	ID WB (°F) ID DB (°F)	60.8				64.4				66.2				71.6			
			73.4	77.0	80.6	84.2	73.4	77.0	80.6	84.2	73.4	77.0	80.6	84.20	73.4	77.0	80.6	84.2
High	-22	TC	27127	27163	27194	27230	28754	28789	28825	28861	30560	30601	30643	32447	32491	32528	32570	32613
		S/T	0.48	0.54	0.63	0.72	0.50	0.58	0.67	0.77	0.53	0.61	0.71	0.81	0.93	1.00	1.00	1.00
		PI	2.31	2.31	2.31	2.31	2.44	2.45	2.45	2.45	2.59	2.59	2.60	2.74	2.75	2.75	2.75	2.76
	-10	TC	27936	27973	28005	28043	29613	29649	29685	29721	31420	31461	31503	33307	33351	33388	33430	33472
		S/T	0.48	0.55	0.64	0.73	0.51	0.58	0.68	0.77	0.54	0.61	0.72	0.82	0.93	1.00	1.00	1.00
		PI	2.24	2.24	2.24	2.25	2.37	2.38	2.38	2.38	2.51	2.52	2.52	2.66	2.67	2.67	2.67	2.68
	0	TC	28610	28649	28681	28719	30330	30366	30402	30438	32136	32178	32220	34023	34067	34104	34147	34189
		S/T	0.48	0.55	0.64	0.73	0.51	0.58	0.68	0.78	0.54	0.62	0.72	0.82	0.94	1.00	1.00	1.00
		PI	2.18	2.18	2.19	2.19	2.31	2.32	2.32	2.32	2.45	2.45	2.46	2.60	2.60	2.60	2.61	2.61
	5	TC	28947	28986	29019	29058	30688	30724	30760	30796	32494	32536	32578	34381	34426	34463	34505	34547
		S/T	0.48	0.55	0.64	0.73	0.51	0.58	0.68	0.78	0.54	0.62	0.72	0.83	0.94	1.00	1.00	1.00
		PI	2.15	2.16	2.16	2.16	2.28	2.29	2.29	2.29	2.42	2.42	2.43	2.56	2.57	2.57	2.57	2.57
	14	TC	29554	29594	29627	29667	31333	31369	31405	31441	33139	33181	33223	35026	35070	35107	35150	35192
		S/T	0.49	0.55	0.65	0.74	0.51	0.59	0.69	0.78	0.55	0.62	0.73	0.83	0.95	1.00	1.00	1.00
		PI	2.10	2.11	2.11	2.11	2.23	2.23	2.23	2.24	2.36	2.37	2.37	2.50	2.51	2.51	2.51	2.51
	23	TC	32111	32154	32190	32234	34050	34086	34122	34158	35856	35898	35940	37743	37788	37824	37867	37909
		S/T	0.49	0.56	0.65	0.74	0.52	0.59	0.69	0.79	0.55	0.63	0.73	0.83	0.95	1.00	1.00	1.00
		PI	2.15	2.15	2.15	2.15	2.27	2.28	2.28	2.28	2.41	2.41	2.42	2.55	2.56	2.56	2.56	2.56
	32	TC	35643	35691	35731	35779	37803	37839	37875	37911	39610	39651	39693	41497	41541	41578	41620	41662
		S/T	0.49	0.56	0.65	0.75	0.52	0.59	0.69	0.79	0.55	0.63	0.74	0.84	0.96	1.00	1.00	1.00
		PI	2.23	2.24	2.24	2.24	2.37	2.37	2.37	2.38	2.51	2.51	2.52	2.66	2.66	2.66	2.67	2.67
	41	TC	36018	36066	36107	36155	38201	38237	38273	38309	40008	40049	40091	41895	41939	41976	42018	42060
		S/T	0.49	0.56	0.66	0.75	0.52	0.60	0.70	0.79	0.55	0.63	0.74	0.84	0.96	1.00	1.00	1.00
		PI	2.29	2.29	2.29	2.29	2.42	2.43	2.43	2.43	2.57	2.57	2.58	2.72	2.72	2.73	2.73	2.73
	50	TC	35108	35155	35194	35242	37234	37270	37306	37342	39041	39082	39124	40928	40972	41009	41051	41093
		S/T	0.50	0.57	0.66	0.75	0.53	0.60	0.70	0.80	0.56	0.63	0.74	0.85	0.96	1.00	1.00	1.00
		PI	2.33	2.33	2.34	2.34	2.47	2.47	2.48	2.48	2.62	2.62	2.62	2.77	2.78	2.78	2.78	2.79
	59	TC	34786	34833	34872	34919	36893	36928	36964	37000	38699	38741	38782	40586	40630	40667	40709	40752
		S/T	0.50	0.57	0.66	0.76	0.53	0.60	0.70	0.80	0.56	0.64	0.75	0.85	0.97	1.00	1.00	1.00
		PI	2.39	2.40	2.40	2.40	2.54	2.54	2.54	2.55	2.69	2.69	2.70	2.85	2.85	2.86	2.86	2.86
	68	TC	34464	34511	34549	34596	36551	36587	36622	36658	38357	38399	38440	40244	40288	40325	40367	40410
		S/T	0.50	0.57	0.67	0.76	0.53	0.60	0.71	0.81	0.56	0.64	0.75	0.86	0.97	1.00	1.00	1.00
		PI	2.46	2.46	2.47	2.47	2.61	2.61	2.61	2.62	2.76	2.77	2.77	2.93	2.93	2.93	2.94	2.94
	77	TC	34143	34189	34227	34273	36209	36245	36281	36317	38015	38057	38099	39902	39946	39983	40026	40068
		S/T	0.51	0.59	0.69	0.78	0.54	0.62	0.73	0.83	0.58	0.66	0.77	0.88	1.00	1.00	1.00	1.00
		PI	2.53	2.53	2.53	2.53	2.68	2.68	2.68	2.69	2.84	2.84	2.84	3.00	3.01	3.01	3.01	3.02
	86	TC	29770	29810	29844	29884	31563	31598	31634	31670	33369	33411	33452	35256	35300	35337	35379	35422
		S/T	0.52	0.59	0.69	0.79	0.55	0.63	0.74	0.84	0.59	0.67	0.78	0.89	1.00	1.00	1.00	1.00
		PI	2.79	2.79	2.80	2.80	2.96	2.96	2.96	2.97	3.13	3.14	3.14	3.32	3.32	3.33	3.33	3.34
	95	TC	28514	28552	28584	28623	30228	30263	30299	30335	32034	32075	32117	33921	33965	34002	34044	34087
		S/T	0.53	0.61	0.71	0.81	0.57	0.65	0.75	0.86	0.60	0.68	0.80	0.91	0.94	0.94	0.95	0.97
		PI	2.90	2.91	2.91	2.91	3.08	3.08	3.08	3.09	3.26	3.26	3.27	3.45	3.46	3.46	3.46	3.47
	104	TC	25792	25826	25855	25890	27335	27371	27407	27442	29141	29183	29224	31028	31072	31109	31151	31194
		S/T	0.56	0.64	0.75	0.85	0.59	0.68	0.79	0.90	0.63	0.72	0.84	0.96	1.00	1.00	1.00	1.00
		PI	2.55	2.55	2.55	2.56	2.70	2.70	2.70	2.71	2.86	2.86	2.87	3.05	3.06	3.06	3.06	3.07
	115	TC	23314	23346	23372	23404	24703	24738	24774	24810	26509	26551	26592	28396	28440	28477	28519	28562
		S/T	0.57	0.65	0.76	0.86	0.60	0.69	0.80	0.91	0.64	0.73	0.85	0.97	1.00	1.00	1.00	1.00
		PI	2.23	2.24	2.24	2.24	2.37	2.37	2.37	2.38	2.51	2.51	2.52	2.65	2.65	2.66	2.66	2.67
122	TC	21061	21089	21113	21141	22308	22343	22379	22415	24114	24155	24197	26001	26045	26082	26124	26167	
	S/T	0.59	0.67	0.78	0.89	0.62	0.71	0.83	0.95	0.66	0.75	0.88	1.00	1.00	1.00	1.00	1.00	
	PI	1.96	1.96	1.96	1.97	2.08	2.08	2.08	2.08	2.20	2.20	2.21	2.33	2.33	2.34	2.34	2.34	

PERFORMANCE NON-DUCTED 24K (Sheet 4 of 4)

AIRFLOW (CFM)	OUTDOOR DB °F	ID WB (°F) ID DB (°F)	60.8				64.4				66.2				71.6			
			73.4	77.0	80.6	84.2	73.4	77.0	80.6	84.2	73.4	77.0	80.6	84.20	73.4	77.0	80.6	84.2
			Turbo	-22	TC	29461	29501	29534	29574	31232	31269	31306	31343	33098	33141	33184	35048	35093
		S/T	0.52	0.59	0.69	0.78	0.55	0.62	0.73	0.83	0.58	0.66	0.77	0.88	1.00	1.00	1.00	1.00
		PI	2.50	2.50	2.50	2.51	2.65	2.65	2.65	2.66	2.81	2.81	2.81	2.97	2.97	2.98	2.98	2.98
	-10	TC	30288	30328	30362	30403	32108	32146	32184	32222	34027	34071	34115	36031	36078	36117	36162	36207
		S/T	0.52	0.59	0.69	0.79	0.55	0.63	0.73	0.84	0.58	0.66	0.78	0.89	1.00	1.00	1.00	1.00
		PI	2.42	2.43	2.43	2.43	2.57	2.57	2.58	2.58	2.72	2.73	2.73	2.88	2.89	2.89	2.89	2.90
	0	TC	30977	31018	31053	31095	32838	32877	32916	32955	34801	34846	34891	36851	36899	36939	36985	37031
		S/T	0.52	0.60	0.70	0.79	0.55	0.63	0.74	0.84	0.59	0.67	0.78	0.89	1.00	1.00	1.00	1.00
		PI	2.36	2.37	2.37	2.37	2.50	2.51	2.51	2.51	2.65	2.66	2.66	2.81	2.81	2.82	2.82	2.82
	5	TC	31321	31363	31398	31441	33203	33243	33282	33322	35188	35233	35279	37260	37309	37349	37396	37442
		S/T	0.52	0.60	0.70	0.80	0.55	0.63	0.74	0.84	0.59	0.67	0.78	0.89	1.00	1.00	1.00	1.00
		PI	2.33	2.34	2.34	2.34	2.47	2.48	2.48	2.48	2.62	2.62	2.63	2.77	2.78	2.78	2.78	2.79
	14	TC	31941	31984	32020	32063	33861	33901	33941	33981	35884	35931	35977	37998	38047	38089	38136	38184
		S/T	0.53	0.60	0.70	0.80	0.56	0.64	0.74	0.85	0.59	0.67	0.79	0.90	1.00	1.00	1.00	1.00
		PI	2.28	2.28	2.28	2.29	2.41	2.42	2.42	2.42	2.56	2.56	2.57	2.71	2.71	2.72	2.72	2.72
	23	TC	34553	34600	34639	34685	36630	36673	36717	36760	38819	38869	38920	41106	41159	41204	41255	41306
		S/T	0.53	0.60	0.70	0.80	0.56	0.64	0.75	0.85	0.59	0.68	0.79	0.90	1.00	1.00	1.00	1.00
		PI	2.32	2.33	2.33	2.33	2.46	2.47	2.47	2.47	2.61	2.62	2.62	2.76	2.77	2.77	2.77	2.78
	32	TC	38162	38213	38256	38307	40455	40503	40551	40599	42873	42928	42984	45398	45457	45507	45563	45620
		S/T	0.53	0.61	0.71	0.81	0.56	0.64	0.75	0.86	0.60	0.68	0.80	0.91	1.00	1.00	1.00	1.00
		PI	2.42	2.42	2.43	2.43	2.57	2.57	2.57	2.57	2.72	2.72	2.73	2.88	2.88	2.89	2.89	2.89
	41	TC	38544	38596	38640	38692	40861	40909	40958	41007	43303	43359	43415	45854	45913	45963	46020	46078
		S/T	0.53	0.61	0.71	0.81	0.57	0.65	0.75	0.86	0.60	0.68	0.80	0.91	1.00	1.00	1.00	1.00
		PI	2.48	2.48	2.48	2.49	2.62	2.63	2.63	2.63	2.78	2.78	2.79	2.95	2.95	2.95	2.96	2.96
	50	TC	37615	37665	37708	37758	39876	39923	39970	40017	42258	42313	42368	44748	44806	44855	44910	44966
		S/T	0.54	0.61	0.72	0.82	0.57	0.65	0.76	0.86	0.60	0.69	0.80	0.92	1.00	1.00	1.00	1.00
		PI	2.52	2.53	2.53	2.53	2.67	2.68	2.68	2.68	2.83	2.84	2.84	3.00	3.01	3.01	3.01	3.02
	59	TC	37286	37336	37378	37429	39527	39574	39621	39668	41889	41944	41998	44357	44414	44463	44518	44573
		S/T	0.54	0.61	0.72	0.82	0.57	0.65	0.76	0.87	0.61	0.69	0.81	0.92	1.00	1.00	1.00	1.00
		PI	2.59	2.60	2.60	2.60	2.75	2.75	2.76	2.76	2.91	2.92	2.92	3.09	3.09	3.09	3.10	3.10
	68	TC	36957	37007	37049	37099	39179	39225	39272	39318	41520	41574	41628	43966	44023	44071	44126	44181
		S/T	0.54	0.62	0.72	0.82	0.57	0.66	0.77	0.87	0.61	0.69	0.81	0.93	1.00	1.00	1.00	1.00
		PI	2.66	2.67	2.67	2.67	2.82	2.83	2.83	2.83	2.99	3.00	3.00	3.17	3.17	3.18	3.18	3.18
	77	TC	36629	36678	36719	36769	38830	38876	38922	38969	41151	41204	41258	43575	43631	43679	43733	43788
		S/T	0.56	0.63	0.74	0.85	0.59	0.67	0.79	0.90	0.63	0.71	0.83	0.95	1.00	1.00	1.00	1.00
		PI	2.73	2.74	2.74	2.74	2.90	2.90	2.91	2.91	3.07	3.08	3.08	3.25	3.26	3.26	3.26	3.27
	86	TC	32162	32205	32241	32285	34095	34135	34176	34216	36132	36179	36226	38261	38310	38352	38400	38448
		S/T	0.56	0.64	0.75	0.86	0.60	0.68	0.80	0.91	0.63	0.72	0.84	0.96	1.00	1.00	1.00	1.00
		PI	3.02	3.03	3.03	3.03	3.20	3.21	3.21	3.21	3.39	3.40	3.40	3.59	3.60	3.60	3.61	3.61
	95	TC	30878	30920	30954	30996	32734	32773	32812	32851	34690	34735	34780	36734	36781	36821	36867	36913
		S/T	0.58	0.66	0.77	0.88	0.61	0.70	0.82	0.93	0.65	0.74	0.87	0.99	1.00	1.00	1.00	1.00
		PI	3.14	3.15	3.15	3.15	3.33	3.33	3.34	3.34	3.53	3.53	3.54	3.74	3.74	3.75	3.75	3.76
	104	TC	28097	28135	28166	28204	29786	29821	29856	29892	31566	31607	31648	33425	33469	33505	33547	33588
		S/T	0.61	0.69	0.81	0.92	0.64	0.73	0.86	0.98	0.68	0.75	0.91	1.00	1.00	1.00	1.00	1.00
		PI	2.76	2.76	2.76	2.77	2.92	2.93	2.93	3.10	3.10	3.10	3.28	3.28	3.29	3.29	3.29	3.30
	115	TC	25566	25601	25630	25664	27103	27135	27167	27200	28723	28760	28797	30415	30454	30487	30525	30563
		S/T	0.61	0.70	0.82	0.93	0.65	0.74	0.87	0.99	0.69	0.75	0.92	1.00	1.00	1.00	1.00	1.00
		PI	2.42	2.42	2.42	2.43	2.56	2.57	2.57	2.57	2.72	2.72	2.72	2.88	2.88	2.88	2.89	2.89
	122	TC	23264	23295	23321	23353	24662	24691	24720	24750	26136	26170	26204	27675	27711	27741	27776	27810
		S/T	0.64	0.73	0.85	0.97	0.67	0.75	0.90	1.00	0.71	0.75	0.95	1.00	1.00	1.00	1.00	1.00
		PI	2.12	2.12	2.13	2.13	2.25	2.25	2.25	2.26	2.38	2.39	2.39	2.52	2.53	2.53	2.53	2.54

NOTE: Data highlighted in gray is extrapolated data and not actual test data. At 77°F outdoor conditions sweat protection activates causing a decrease in total capacity.

LEGEND

- TC - Total Net Capacity (Btu/hour)
- S/T: Sensible Cooling Capacity Ratio
- PI: Power Input (kW)
- Extrapolated Data

COOLING PERFORMANCE NON-DUCTED

COOLING PERFORMANCE 30K

PERFORMANCE NON-DUCTED 30K (Sheet 1 of 4)

AIRFLOW (CFM)	OUTDOOR DB °F	ID WB (°F)		60.8				64.4				66.2				71.6				
		ID	DB	73.4	77.0	80.6	84.2	73.4	77.0	80.6	84.2	73.4	77.0	80.6	84.2	73.4	77.0	80.6	84.2	
Low	-22	TC	19156	19182	19203	19229	20307	20331	20355	20380	21521	21549	21577	22777	22806	22831	22859	22887		
		S/T	0.22	0.25	0.29	0.33	0.23	0.26	0.31	0.35	0.24	0.28	0.32	0.37	0.42	0.48	0.55	0.62		
		PI	1.55	1.55	1.55	1.56	1.64	1.65	1.65	1.65	1.74	1.74	1.75	1.84	1.85	1.85	1.85	1.85		
	-10	TC	19840	19867	19889	19916	21033	21058	21082	21107	22289	22318	22347	23548	23577	23602	23630	23658		
		S/T	0.22	0.25	0.29	0.33	0.23	0.26	0.31	0.35	0.24	0.28	0.33	0.37	0.42	0.48	0.55	0.63		
		PI	1.50	1.50	1.50	1.50	1.59	1.59	1.59	1.59	1.68	1.68	1.69	1.78	1.78	1.78	1.79	1.79		
	0	TC	20410	20438	20461	20488	21637	21663	21688	21714	22930	22960	22990	24190	24219	24244	24272	24300		
		S/T	0.22	0.25	0.29	0.33	0.23	0.26	0.31	0.35	0.25	0.28	0.33	0.37	0.43	0.49	0.55	0.63		
		PI	1.45	1.45	1.46	1.46	1.54	1.54	1.54	1.55	1.63	1.63	1.64	1.73	1.73	1.73	1.73	1.74		
	5	TC	20695	20723	20746	20774	21939	21965	21991	22017	23250	23280	23311	24511	24540	24565	24593	24621		
		S/T	0.22	0.25	0.29	0.33	0.23	0.27	0.31	0.35	0.25	0.28	0.33	0.37	0.43	0.49	0.56	0.63		
		PI	1.43	1.43	1.43	1.44	1.52	1.52	1.52	1.52	1.61	1.61	1.61	1.70	1.70	1.71	1.71	1.71		
	14	TC	21208	21237	21261	21289	22483	22510	22536	22563	23827	23858	23889	25089	25118	25143	25171	25199		
		S/T	0.22	0.25	0.29	0.34	0.23	0.27	0.31	0.36	0.25	0.28	0.33	0.38	0.43	0.49	0.56	0.64		
		PI	1.39	1.39	1.39	1.40	1.47	1.48	1.48	1.48	1.56	1.56	1.57	1.65	1.66	1.66	1.66	1.66		
	23	TC	21643	21673	21697	21726	22944	22971	22999	23026	24315	24347	24379	25579	25608	25633	25661	25689		
		S/T	0.22	0.25	0.30	0.34	0.24	0.27	0.31	0.36	0.25	0.28	0.33	0.38	0.43	0.49	0.56	0.64		
		PI	1.39	1.39	1.39	1.40	1.47	1.48	1.48	1.48	1.56	1.56	1.57	1.65	1.66	1.66	1.66	1.66		
	32	TC	22039	22069	22094	22124	23364	23392	23419	23447	24760	24792	24825	26025	26054	26079	26107	26135		
		S/T	0.22	0.25	0.30	0.34	0.24	0.27	0.31	0.36	0.25	0.29	0.33	0.38	0.43	0.49	0.56	0.64		
		PI	1.41	1.41	1.41	1.42	1.50	1.50	1.50	1.50	1.59	1.59	1.59	1.68	1.68	1.68	1.68	1.69		
	41	TC	21379	21408	21432	21461	22664	22691	22718	22745	24019	24050	24081	25281	25311	25335	25364	25392		
		S/T	0.22	0.26	0.30	0.34	0.24	0.27	0.32	0.36	0.25	0.29	0.34	0.38	0.44	0.50	0.57	0.65		
		PI	1.43	1.43	1.43	1.43	1.51	1.52	1.52	1.52	1.60	1.61	1.61	1.70	1.70	1.71	1.71	1.71		
	50	TC	20834	20862	20886	20914	22087	22113	22139	22165	23406	23437	23467	24668	24697	24721	24750	24778		
		S/T	0.23	0.26	0.30	0.34	0.24	0.27	0.32	0.36	0.25	0.29	0.34	0.38	0.44	0.50	0.57	0.65		
		PI	1.44	1.44	1.44	1.45	1.53	1.53	1.53	1.53	1.62	1.62	1.62	1.71	1.72	1.72	1.72	1.72		
	59	TC	21575	21604	21628	21657	22871	22898	22926	22953	24238	24270	24301	25501	25531	25555	25583	25612		
		S/T	0.23	0.26	0.30	0.34	0.24	0.27	0.32	0.36	0.25	0.29	0.34	0.39	0.44	0.50	0.57	0.65		
		PI	1.45	1.45	1.45	1.45	1.54	1.54	1.54	1.54	1.63	1.63	1.63	1.72	1.73	1.73	1.73	1.73		
	68	TC	22315	22345	22370	22400	23656	23684	23712	23740	25070	25102	25135	26335	26364	26389	26417	26445		
		S/T	0.23	0.26	0.30	0.35	0.24	0.27	0.32	0.37	0.26	0.29	0.34	0.39	0.44	0.50	0.58	0.66		
		PI	1.46	1.46	1.46	1.46	1.55	1.55	1.55	1.55	1.64	1.64	1.64	1.73	1.74	1.74	1.74	1.74		
	77	TC	23055	23086	23112	23143	24441	24470	24499	24528	25901	25935	25969	27169	27198	27223	27251	27279		
		S/T	0.23	0.27	0.31	0.35	0.25	0.28	0.33	0.38	0.26	0.30	0.35	0.40	0.45	0.52	0.59	0.67		
		PI	1.47	1.47	1.47	1.47	1.55	1.56	1.56	1.56	1.65	1.65	1.65	1.74	1.75	1.75	1.75	1.75		
	86	TC	19276	19302	19324	19350	20435	20459	20483	20508	21656	21684	21712	22913	22942	22967	22995	23023		
		S/T	0.24	0.27	0.32	0.36	0.25	0.29	0.33	0.38	0.27	0.30	0.35	0.40	0.46	0.52	0.60	0.68		
		PI	1.62	1.62	1.62	1.62	1.71	1.71	1.72	1.72	1.82	1.82	1.82	1.92	1.92	1.93	1.93	1.93		
	95	TC	18974	18999	19021	19046	20114	20138	20162	20186	21316	21344	21372	22572	22601	22626	22654	22682		
		S/T	0.24	0.28	0.32	0.37	0.26	0.29	0.34	0.39	0.27	0.31	0.36	0.41	0.47	0.54	0.61	0.70		
		PI	1.66	1.66	1.66	1.66	1.76	1.76	1.76	1.76	1.86	1.86	1.87	1.97	1.97	1.98	1.98	1.98		
	104	TC	16331	16353	16372	16394	17313	17333	17354	17375	18348	18371	18395	19595	19625	19649	19678	19706		
		S/T	0.25	0.29	0.34	0.39	0.27	0.31	0.36	0.41	0.29	0.33	0.38	0.43	0.50	0.57	0.64	0.73		
		PI	1.51	1.52	1.52	1.52	1.60	1.61	1.61	1.61	1.70	1.70	1.70	1.81	1.81	1.81	1.82	1.82		
	115	TC	14057	14076	14092	14111	14902	14919	14937	14955	15792	15813	15833	17034	17063	17087	17116	17144		
		S/T	0.26	0.29	0.34	0.39	0.27	0.31	0.36	0.42	0.29	0.33	0.39	0.44	0.50	0.57	0.65	0.74		
		PI	1.38	1.38	1.39	1.39	1.47	1.47	1.47	1.47	1.55	1.56	1.56	1.65	1.65	1.65	1.66	1.66		
	122	TC	12099	12115	12129	12145	12826	12842	12857	12872	13593	13611	13628	15409	15453	15489	15531	15573		
		S/T	0.27	0.30	0.36	0.41	0.28	0.32	0.38	0.43	0.30	0.34	0.40	0.46	0.52	0.59	0.67	0.77		
		PI	1.26	1.26	1.27	1.27	1.34	1.34	1.34	1.34	1.42	1.42	1.42	1.50	1.50	1.51	1.51	1.51		

PERFORMANCE NON-DUCTED 30K (Sheet 2 of 4)

AIRFLOW (CFM)	OUTDOOR DB °F	ID WB (°F)		60.8				64.4				66.2				71.6			
		ID	WB	73.4	77.0	80.6	84.2	73.4	77.0	80.6	84.2	73.4	77.0	80.6	84.2	73.4	77.0	80.6	84.2
		DB	(°F)																
Med	-22	TC	24705	24738	24766	24799	26190	26221	26252	26283	27740	27775	27811	29358	29396	29428	29464	29500	
		S/T	0.32	0.37	0.43	0.49	0.34	0.39	0.45	0.52	0.36	0.41	0.48	0.55	0.62	0.71	0.81	0.93	
		PI	2.29	2.29	2.29	2.30	2.43	2.43	2.43	2.43	2.57	2.57	2.58	2.72	2.73	2.73	2.73	2.74	
	-10	TC	25640	25674	25703	25738	27184	27214	27245	27276	28733	28769	28804	30352	30389	30421	30457	30494	
		S/T	0.32	0.37	0.43	0.49	0.34	0.39	0.46	0.52	0.36	0.41	0.48	0.55	0.63	0.72	0.82	0.93	
		PI	2.21	2.21	2.22	2.22	2.34	2.35	2.35	2.35	2.48	2.49	2.49	2.63	2.63	2.64	2.64	2.64	
	0	TC	26419	26454	26484	26520	28011	28042	28073	28104	29561	29596	29632	31179	31217	31249	31285	31321	
		S/T	0.32	0.37	0.43	0.49	0.34	0.39	0.46	0.52	0.36	0.42	0.49	0.55	0.63	0.72	0.82	0.94	
		PI	2.15	2.15	2.15	2.15	2.27	2.28	2.28	2.28	2.41	2.42	2.42	2.55	2.56	2.56	2.56	2.56	
	5	TC	26808	26844	26874	26911	28425	28456	28487	28518	29975	30010	30046	31593	31631	31663	31699	31735	
		S/T	0.33	0.37	0.43	0.50	0.35	0.39	0.46	0.52	0.37	0.42	0.49	0.56	0.63	0.72	0.82	0.94	
		PI	2.11	2.12	2.12	2.12	2.24	2.24	2.24	2.25	2.37	2.38	2.38	2.51	2.52	2.52	2.52	2.53	
	14	TC	27509	27546	27577	27614	29170	29201	29232	29263	30720	30755	30791	32338	32376	32408	32444	32480	
		S/T	0.33	0.37	0.44	0.50	0.35	0.40	0.46	0.53	0.37	0.42	0.49	0.56	0.64	0.73	0.83	0.94	
		PI	2.05	2.06	2.06	2.06	2.18	2.18	2.18	2.18	2.31	2.31	2.31	2.44	2.45	2.45	2.45	2.46	
	23	TC	28104	28141	28173	28211	29802	29832	29863	29894	31351	31387	31423	32970	33007	33039	33075	33112	
		S/T	0.33	0.38	0.44	0.50	0.35	0.40	0.46	0.53	0.37	0.42	0.49	0.56	0.64	0.73	0.83	0.95	
		PI	2.05	2.06	2.06	2.06	2.18	2.18	2.18	2.19	2.31	2.31	2.31	2.44	2.45	2.45	2.45	2.46	
	32	TC	28644	28683	28715	28754	30377	30407	30438	30469	31926	31962	31997	33544	33582	33614	33650	33686	
		S/T	0.33	0.38	0.44	0.50	0.35	0.40	0.47	0.53	0.37	0.42	0.50	0.56	0.64	0.73	0.84	0.95	
		PI	2.08	2.09	2.09	2.09	2.21	2.21	2.21	2.22	2.34	2.34	2.35	2.48	2.48	2.49	2.49	2.49	
	41	TC	27743	27780	27811	27849	29419	29449	29480	29511	30968	31004	31039	32586	32624	32656	32692	32728	
		S/T	0.33	0.38	0.44	0.51	0.35	0.40	0.47	0.54	0.37	0.43	0.50	0.57	0.65	0.74	0.84	0.96	
		PI	2.11	2.11	2.11	2.12	2.24	2.24	2.24	2.24	2.37	2.37	2.38	2.51	2.51	2.51	2.52	2.52	
	50	TC	26998	27034	27065	27101	28627	28658	28689	28720	30176	30212	30248	31795	31833	31864	31901	31937	
		S/T	0.33	0.38	0.45	0.51	0.35	0.40	0.47	0.54	0.38	0.43	0.50	0.57	0.65	0.74	0.85	0.96	
		PI	2.13	2.13	2.13	2.14	2.26	2.26	2.26	2.26	2.39	2.39	2.40	2.53	2.53	2.54	2.54	2.54	
	59	TC	28010	28047	28079	28117	29702	29733	29763	29794	31251	31287	31323	32870	32908	32939	32975	33012	
		S/T	0.34	0.38	0.45	0.51	0.36	0.41	0.47	0.54	0.38	0.43	0.50	0.57	0.65	0.75	0.85	0.97	
		PI	2.14	2.14	2.15	2.15	2.27	2.27	2.27	2.28	2.40	2.41	2.41	2.55	2.55	2.55	2.56	2.56	
	68	TC	29021	29060	29093	29132	30777	30807	30838	30869	32326	32362	32397	33944	33982	34014	34050	34087	
		S/T	0.34	0.38	0.45	0.51	0.36	0.41	0.48	0.54	0.38	0.43	0.51	0.58	0.66	0.75	0.85	0.97	
		PI	2.15	2.16	2.16	2.16	2.28	2.28	2.29	2.29	2.42	2.42	2.42	2.56	2.56	2.57	2.57	2.57	
	77	TC	30032	30073	30106	30147	31851	31882	31913	31944	33401	33436	33472	35019	35057	35089	35125	35161	
		S/T	0.35	0.39	0.46	0.53	0.37	0.42	0.49	0.56	0.39	0.44	0.52	0.59	0.67	0.77	0.88	1.00	
		PI	2.16	2.17	2.17	2.17	2.29	2.30	2.30	2.30	2.43	2.43	2.44	2.57	2.58	2.58	2.58	2.59	
	86	TC	24870	24903	24931	24965	26365	26396	26427	26458	27915	27950	27986	29533	29571	29603	29639	29675	
		S/T	0.35	0.40	0.47	0.53	0.37	0.42	0.50	0.57	0.39	0.45	0.53	0.60	0.68	0.78	0.89	1.00	
		PI	2.39	2.39	2.39	2.39	2.53	2.53	2.54	2.54	2.68	2.68	2.69	2.84	2.84	2.85	2.85	2.85	
	95	TC	24456	24489	24517	24550	25926	25957	25988	26018	27475	27511	27547	29094	29132	29163	29200	29236	
		S/T	0.36	0.41	0.48	0.55	0.38	0.43	0.51	0.58	0.40	0.46	0.54	0.61	0.70	0.80	0.91	1.00	
		PI	2.45	2.45	2.45	2.46	2.59	2.60	2.60	2.60	2.75	2.75	2.76	2.91	2.91	2.92	2.92	2.92	
	104	TC	20846	20874	20897	20925	22090	22120	22151	22182	23639	23675	23710	25257	25295	25327	25363	25400	
		S/T	0.38	0.43	0.50	0.57	0.40	0.46	0.53	0.61	0.42	0.48	0.57	0.65	0.74	0.84	0.96	1.00	
		PI	2.23	2.24	2.24	2.24	2.37	2.37	2.37	2.38	2.51	2.51	2.52	2.67	2.68	2.68	2.68	2.69	
	115	TC	17738	17762	17782	17806	18787	18818	18849	18880	20337	20372	20408	21955	21993	22025	22061	22097	
		S/T	0.38	0.44	0.51	0.58	0.41	0.46	0.54	0.62	0.43	0.49	0.57	0.65	0.74	0.85	0.97	1.00	
		PI	2.04	2.04	2.05	2.05	2.16	2.17	2.17	2.17	2.29	2.30	2.30	2.43	2.44	2.44	2.44	2.45	
122	TC	14353	14373	14389	14408	15161	15206	15252	15298	17460	17513	17566	19862	19918	19965	20019	20073		
	S/T	0.40	0.45	0.53	0.60	0.42	0.48	0.56	0.64	0.44	0.51	0.59	0.68	0.77	0.88	1.00	1.00		
	PI	1.87	1.87	1.87	1.87	1.98	1.98	1.98	1.98	2.10	2.10	2.10	2.22	2.22	2.22	2.23	2.23		

PERFORMANCE NON-DUCTED 30K (Sheet 3 of 4)

AIRFLOW (CFM)	OUTDOOR DB °F	ID WB (°F)		60.8				64.4				66.2				71.6			
		ID DB (°F)	73.4	77.0	80.6	84.2	73.4	77.0	80.6	84.2	73.4	77.0	80.6	84.20	73.4	77.0	80.6	84.2	
																			TC
High	-22		36662	36711	36752	36802	38866	38912	38958	39003	41165	41218	41272	43567	43623	43670	43724	43778	
			0.48	0.54	0.63	0.72	0.50	0.58	0.67	0.77	0.53	0.61	0.71	0.81	0.93	1.00	1.00	1.00	
			3.40	3.40	3.40	3.41	3.60	3.60	3.61	3.61	3.82	3.82	3.83	4.04	4.05	4.05	4.06	4.06	
	-10		38049	38100	38143	38194	40340	40386	40432	40477	42639	42692	42746	45041	45097	45144	45198	45252	
			0.48	0.55	0.64	0.73	0.51	0.58	0.68	0.77	0.54	0.61	0.72	0.82	0.93	1.00	1.00	1.00	
			3.28	3.28	3.29	3.29	3.48	3.48	3.49	3.49	3.69	3.69	3.69	3.90	3.91	3.91	3.92	3.92	
	0		39205	39258	39302	39355	41569	41614	41660	41706	43868	43921	43974	46270	46326	46373	46427	46481	
			0.48	0.55	0.64	0.73	0.51	0.58	0.68	0.78	0.54	0.62	0.72	0.82	0.94	1.00	1.00	1.00	
			3.18	3.19	3.19	3.20	3.37	3.38	3.38	3.39	3.58	3.58	3.59	3.79	3.79	3.80	3.80	3.81	
	5		39783	39837	39881	39935	42183	42228	42274	42320	44482	44535	44588	46884	46940	46987	47041	47095	
			0.48	0.55	0.64	0.73	0.51	0.58	0.68	0.78	0.54	0.62	0.72	0.83	0.94	1.00	1.00	1.00	
			3.13	3.14	3.14	3.15	3.32	3.33	3.33	3.34	3.52	3.53	3.53	3.73	3.73	3.74	3.74	3.75	
	14		40823	40878	40924	40979	43288	43334	43380	43425	45587	45640	45694	47989	48045	48092	48146	48200	
			0.49	0.55	0.65	0.74	0.51	0.59	0.69	0.78	0.55	0.62	0.73	0.83	0.95	1.00	1.00	1.00	
			3.05	3.05	3.06	3.06	3.23	3.23	3.24	3.24	3.42	3.43	3.43	3.63	3.63	3.63	3.64	3.64	
	23		41705	41761	41808	41865	44226	44271	44317	44363	46525	46578	46631	48926	48983	49030	49083	49137	
			0.49	0.56	0.65	0.74	0.52	0.59	0.69	0.79	0.55	0.63	0.73	0.83	0.95	1.00	1.00	1.00	
			3.05	3.05	3.06	3.06	3.23	3.24	3.24	3.24	3.42	3.43	3.43	3.63	3.63	3.63	3.64	3.64	
	32		42508	42565	42613	42670	45079	45124	45170	45216	47378	47431	47484	49779	49836	49883	49936	49990	
			0.49	0.56	0.65	0.75	0.52	0.59	0.69	0.79	0.55	0.63	0.74	0.84	0.96	1.00	1.00	1.00	
			3.09	3.10	3.10	3.10	3.28	3.28	3.29	3.29	3.47	3.48	3.48	3.68	3.68	3.69	3.69	3.70	
	41		41170	41226	41272	41327	43657	43702	43748	43794	45956	46009	46062	48358	48414	48461	48515	48569	
			0.49	0.56	0.66	0.75	0.52	0.60	0.70	0.79	0.55	0.63	0.74	0.84	0.96	1.00	1.00	1.00	
			3.13	3.13	3.14	3.14	3.32	3.32	3.33	3.33	3.52	3.52	3.53	3.72	3.73	3.73	3.74	3.74	
	50		40065	40119	40164	40218	42482	42528	42574	42619	44782	44835	44888	47183	47240	47287	47340	47394	
			0.50	0.57	0.66	0.75	0.53	0.60	0.70	0.80	0.56	0.63	0.74	0.85	0.96	1.00	1.00	1.00	
			3.16	3.16	3.17	3.17	3.35	3.35	3.36	3.36	3.55	3.55	3.56	3.76	3.76	3.77	3.77	3.77	
	59		41566	41622	41668	41725	44077	44123	44169	44214	46376	46429	46482	48778	48834	48881	48935	48989	
			0.50	0.57	0.66	0.76	0.53	0.60	0.70	0.80	0.56	0.64	0.75	0.85	0.97	1.00	1.00	1.00	
			3.18	3.18	3.18	3.19	3.37	3.37	3.37	3.38	3.57	3.58	3.58	3.78	3.78	3.79	3.79	3.80	
	68		43067	43125	43173	43231	45672	45718	45763	45809	47971	48024	48077	50373	50429	50476	50530	50584	
			0.50	0.57	0.67	0.76	0.53	0.60	0.71	0.81	0.56	0.64	0.75	0.86	0.97	1.00	1.00	1.00	
			3.19	3.20	3.20	3.21	3.39	3.39	3.39	3.40	3.59	3.59	3.60	3.80	3.80	3.81	3.81	3.82	
	77		44568	44628	44678	44738	47267	47313	47358	47404	49566	49619	49672	51968	52024	52071	52125	52179	
			0.51	0.59	0.69	0.78	0.54	0.62	0.73	0.83	0.58	0.66	0.77	0.88	1.00	1.00	1.00	1.00	
			3.21	3.22	3.22	3.22	3.41	3.41	3.41	3.42	3.61	3.61	3.62	3.82	3.83	3.83	3.84	3.84	
	86		36906	36956	36997	37047	39126	39171	39217	39263	41425	41478	41531	43827	43883	43930	43984	44038	
			0.52	0.59	0.69	0.79	0.55	0.63	0.74	0.84	0.59	0.67	0.78	0.89	1.00	1.00	1.00	1.00	
			3.54	3.55	3.55	3.55	3.75	3.76	3.76	3.77	3.98	3.98	3.99	4.21	4.22	4.22	4.23	4.23	
	95		36293	36342	36382	36431	38474	38520	38565	38611	40773	40826	40879	43175	43231	43278	43332	43386	
			0.53	0.61	0.71	0.81	0.57	0.65	0.75	0.86	0.60	0.68	0.80	0.91	0.64	0.74	0.85	0.97	
			3.63	3.64	3.64	3.64	3.85	3.85	3.86	3.86	4.08	4.08	4.09	4.32	4.32	4.33	4.33	4.34	
	104		30935	30977	31011	31053	32781	32826	32872	32918	35080	35133	35186	37482	37538	37585	37639	37693	
			0.56	0.64	0.75	0.85	0.59	0.68	0.79	0.90	0.63	0.72	0.84	0.96	1.00	1.00	1.00	1.00	
			3.32	3.32	3.32	3.33	3.52	3.52	3.52	3.53	3.73	3.73	3.74	3.97	3.97	3.98	3.98	3.99	
	115		26323	26359	26388	26424	27880	27926	27972	28017	30179	30232	30286	32581	32637	32684	32738	32792	
			0.57	0.65	0.76	0.86	0.60	0.69	0.80	0.91	0.64	0.73	0.85	0.97	1.00	1.00	1.00	1.00	
			3.03	3.03	3.04	3.04	3.21	3.22	3.22	3.22	3.40	3.41	3.41	3.61	3.62	3.62	3.63	3.63	
122		22354	22384	22409	22439	23663	23708	23754	23800	25962	26015	26068	28363	28420	28467	28520	28574		
		0.59	0.67	0.78	0.89	0.62	0.71	0.83	0.95	0.66	0.75	0.88	1.00	1.00	1.00	1.00	1.00		
		2.77	2.77	2.77	2.78	2.93	2.94	2.94	2.94	3.11	3.11	3.12	3.29	3.30	3.30	3.30	3.31		

PERFORMANCE NON-DUCTED 30K (Sheet 4 of 4)

AIRFLOW (CFM)	OUTDOOR DB °F	ID WB (°F) ID DB (°F)	60.8				64.4				66.2				71.6			
			73.4	77.0	80.6	84.2	73.4	77.0	80.6	84.2	73.4	77.0	80.6	84.20	73.4	77.0	80.6	84.2
Turbo	-22	TC	39679	39733	39777	39831	42064	42114	42164	42214	44578	44636	44694	47204	47265	47317	47375	47434
		S/T	0.52	0.59	0.69	0.78	0.55	0.62	0.73	0.83	0.58	0.66	0.77	0.88	1.00	1.00	1.00	1.00
		PI	3.68	3.68	3.69	3.69	3.90	3.90	3.91	3.91	4.13	4.14	4.14	4.38	4.38	4.39	4.39	4.40
	-10	TC	41097	41152	41198	41254	43567	43618	43670	43722	46170	46230	46290	48890	48953	49006	49067	49129
		S/T	0.52	0.59	0.69	0.79	0.55	0.63	0.73	0.84	0.58	0.66	0.78	0.89	1.00	1.00	1.00	1.00
		PI	3.55	3.56	3.56	3.57	3.77	3.77	3.77	3.78	3.99	4.00	4.00	4.23	4.23	4.24	4.24	4.25
	0	TC	42277	42334	42382	42439	44818	44872	44925	44978	47497	47558	47620	50295	50360	50415	50477	50540
		S/T	0.52	0.60	0.70	0.79	0.55	0.63	0.74	0.84	0.59	0.67	0.78	0.89	1.00	1.00	1.00	1.00
		PI	3.45	3.45	3.46	3.46	3.65	3.66	3.66	3.67	3.87	3.88	3.88	4.10	4.11	4.11	4.12	4.12
	5	TC	42868	42926	42974	43032	45444	45498	45552	45606	48160	48223	48285	50997	51063	51119	51182	51246
		S/T	0.52	0.60	0.70	0.80	0.55	0.63	0.74	0.84	0.59	0.67	0.78	0.89	1.00	1.00	1.00	1.00
		PI	3.39	3.40	3.40	3.41	3.60	3.60	3.61	3.61	3.81	3.82	3.82	4.04	4.04	4.05	4.05	4.06
	14	TC	43931	43990	44039	44099	46571	46626	46682	46737	49354	49418	49482	52261	52329	52386	52451	52517
		S/T	0.53	0.60	0.70	0.80	0.56	0.64	0.74	0.85	0.59	0.67	0.79	0.90	1.00	1.00	1.00	1.00
		PI	3.30	3.30	3.31	3.31	3.50	3.50	3.51	3.51	3.71	3.71	3.72	3.93	3.93	3.94	3.94	3.95
	23	TC	44832	44892	44942	45003	47526	47583	47639	47696	50366	50432	50497	53333	53403	53461	53527	53594
		S/T	0.53	0.60	0.70	0.80	0.56	0.64	0.75	0.85	0.59	0.68	0.79	0.90	1.00	1.00	1.00	1.00
		PI	3.30	3.31	3.31	3.31	3.50	3.50	3.51	3.51	3.71	3.71	3.72	3.93	3.93	3.94	3.94	3.95
	32	TC	45652	45713	45765	45826	48396	48453	48510	48568	51288	51354	51421	54309	54379	54439	54506	54574
		S/T	0.53	0.61	0.71	0.81	0.56	0.64	0.75	0.86	0.60	0.68	0.80	0.91	1.00	1.00	1.00	1.00
		PI	3.35	3.35	3.36	3.36	3.55	3.55	3.56	3.56	3.76	3.77	3.77	3.98	3.99	3.99	4.00	4.00
	41	TC	44285	44345	44394	44454	46947	47002	47058	47114	49752	49817	49881	52683	52751	52809	52874	52940
		S/T	0.53	0.61	0.71	0.81	0.57	0.65	0.75	0.86	0.60	0.68	0.80	0.91	1.00	1.00	1.00	1.00
		PI	3.39	3.39	3.40	3.40	3.59	3.60	3.60	3.61	3.81	3.81	3.82	4.03	4.04	4.04	4.05	4.05
	50	TC	43156	43214	43262	43321	45750	45804	45858	45913	48484	48547	48610	51340	51406	51462	51526	51590
		S/T	0.54	0.61	0.72	0.82	0.57	0.65	0.76	0.86	0.60	0.69	0.80	0.92	1.00	1.00	1.00	1.00
		PI	3.42	3.42	3.43	3.43	3.63	3.63	3.63	3.64	3.84	3.85	3.85	4.07	4.07	4.08	4.08	4.09
	59	TC	44689	44749	44800	44860	47375	47431	47488	47544	50206	50271	50337	53164	53233	53291	53357	53423
		S/T	0.54	0.61	0.72	0.82	0.57	0.65	0.76	0.87	0.61	0.69	0.81	0.92	1.00	1.00	1.00	1.00
		PI	3.44	3.44	3.45	3.45	3.65	3.65	3.65	3.66	3.86	3.87	3.87	4.09	4.10	4.10	4.11	4.11
	68	TC	46223	46285	46337	46399	49001	49059	49117	49175	51929	51996	52064	54988	55059	55119	55188	55256
		S/T	0.54	0.62	0.72	0.82	0.57	0.66	0.77	0.87	0.61	0.69	0.81	0.93	1.00	1.00	1.00	1.00
		PI	3.46	3.46	3.47	3.47	3.67	3.67	3.68	3.68	3.89	3.89	3.90	4.11	4.12	4.12	4.13	4.13
	77	TC	47756	47820	47874	47938	50626	50686	50746	50806	53651	53721	53791	56812	56886	56948	57018	57089
		S/T	0.56	0.63	0.74	0.85	0.59	0.67	0.79	0.90	0.63	0.71	0.83	0.95	1.00	1.00	1.00	1.00
		PI	3.48	3.48	3.49	3.49	3.69	3.69	3.70	3.70	3.91	3.91	3.92	4.14	4.14	4.15	4.15	4.16
	86	TC	39929	39983	40027	40081	42329	42379	42429	42479	44858	44916	44975	47501	47562	47614	47673	47733
		S/T	0.56	0.64	0.75	0.86	0.60	0.68	0.80	0.91	0.63	0.72	0.84	0.96	1.00	1.00	1.00	1.00
		PI	3.83	3.84	3.84	3.85	4.06	4.07	4.07	4.08	4.31	4.31	4.32	4.56	4.57	4.57	4.58	4.58
	95	TC	39302	39355	39399	39452	41664	41714	41763	41813	44154	44211	44269	46755	46816	46867	46925	46983
		S/T	0.58	0.66	0.77	0.88	0.61	0.70	0.82	0.93	0.65	0.74	0.87	0.99	1.00	1.00	1.00	1.00
		PI	3.93	3.94	3.94	3.95	4.17	4.17	4.18	4.18	4.42	4.42	4.43	4.68	4.68	4.69	4.69	4.70
	104	TC	33829	33874	33912	33958	35862	35904	35947	35989	38005	38054	38104	40243	40296	40340	40390	40440
		S/T	0.61	0.69	0.81	0.92	0.64	0.73	0.86	0.98	0.68	0.75	0.91	1.00	1.00	1.00	1.00	1.00
		PI	3.59	3.60	3.60	3.61	3.81	3.81	3.82	3.82	4.03	4.04	4.05	4.27	4.28	4.28	4.29	4.29
	115	TC	29117	29156	29189	29228	30867	30904	30940	30977	32712	32754	32797	34639	34684	34721	34765	34808
		S/T	0.61	0.70	0.82	0.93	0.65	0.74	0.87	0.99	0.69	0.75	0.92	1.00	1.00	1.00	1.00	1.00
		PI	3.28	3.29	3.29	3.29	3.48	3.48	3.49	3.49	3.69	3.69	3.70	3.90	3.91	3.91	3.92	3.92
122	TC	25062	25096	25124	25158	26568	26600	26631	26663	28156	28193	28229	29815	29853	29886	29923	29960	
	S/T	0.64	0.73	0.85	0.97	0.67	0.75	0.90	1.00	0.71	0.75	0.95	1.00	1.00	1.00	1.00	1.00	
	PI	3.00	3.00	3.00	3.01	3.18	3.18	3.19	3.19	3.37	3.37	3.38	3.57	3.57	3.57	3.58	3.58	

NOTE: Data highlighted in gray is extrapolated data and not actual test data. At 77°F outdoor conditions sweat protection activates causing a decrease in total capacity.

LEGEND

- TC - Total Net Capacity (Btu/hour)
- S/T: Sensible Cooling Capacity Ratio
- PI: Power Input (kW)
- Extrapolated Data

COOLING PERFORMANCE NON-DUCTED

COOLING PERFORMANCE 36K

PERFORMANCE NON-DUCTED 36K (Sheet 1 of 4)

AIRFLOW (CFM)	OUTDOOR DB °F	ID WB (°F)		60.8				64.4				66.2				71.6				
		ID	DB	73.4	77.0	80.6	84.2	73.4	77.0	80.6	84.2	73.4	77.0	80.6	84.2	73.4	77.0	80.6	84.2	
Low	-22	TC	19156	19182	19203	19229	20307	20331	20355	20380	21521	21549	21577	22777	22806	22831	22859	22887		
		S/T	0.22	0.25	0.29	0.33	0.23	0.26	0.31	0.35	0.24	0.28	0.32	0.37	0.42	0.48	0.55	0.62		
		PI	1.55	1.55	1.55	1.56	1.64	1.65	1.65	1.65	1.74	1.74	1.75	1.84	1.85	1.85	1.85	1.85		
	-10	TC	19840	19867	19889	19916	21033	21058	21082	21107	22289	22318	22347	23548	23577	23602	23630	23658		
		S/T	0.22	0.25	0.29	0.33	0.23	0.26	0.31	0.35	0.24	0.28	0.33	0.37	0.42	0.48	0.55	0.63		
		PI	1.50	1.50	1.50	1.50	1.59	1.59	1.59	1.59	1.68	1.68	1.69	1.78	1.78	1.78	1.79	1.79		
	0	TC	20410	20438	20461	20488	21637	21663	21688	21714	22930	22960	22990	24190	24219	24244	24272	24300		
		S/T	0.22	0.25	0.29	0.33	0.23	0.26	0.31	0.35	0.25	0.28	0.33	0.37	0.43	0.49	0.55	0.63		
		PI	1.45	1.45	1.46	1.46	1.54	1.54	1.54	1.55	1.63	1.63	1.64	1.73	1.73	1.73	1.73	1.74		
	5	TC	20695	20723	20746	20774	21939	21965	21991	22017	23250	23280	23311	24511	24540	24565	24593	24621		
		S/T	0.22	0.25	0.29	0.33	0.23	0.27	0.31	0.35	0.25	0.28	0.33	0.37	0.43	0.49	0.56	0.63		
		PI	1.43	1.43	1.43	1.44	1.52	1.52	1.52	1.52	1.61	1.61	1.61	1.70	1.70	1.71	1.71	1.71		
	14	TC	21208	21237	21261	21289	22483	22510	22536	22563	23827	23858	23889	25089	25118	25143	25171	25199		
		S/T	0.22	0.25	0.29	0.34	0.23	0.27	0.31	0.36	0.25	0.28	0.33	0.38	0.43	0.49	0.56	0.64		
		PI	1.39	1.39	1.39	1.40	1.47	1.48	1.48	1.48	1.56	1.56	1.57	1.65	1.66	1.66	1.66	1.66		
	23	TC	21643	21673	21697	21726	22944	22971	22999	23026	24315	24347	24379	25579	25608	25633	25661	25689		
		S/T	0.22	0.25	0.30	0.34	0.24	0.27	0.31	0.36	0.25	0.28	0.33	0.38	0.43	0.49	0.56	0.64		
		PI	1.39	1.39	1.39	1.40	1.47	1.48	1.48	1.48	1.56	1.56	1.57	1.65	1.66	1.66	1.66	1.66		
	32	TC	22039	22069	22094	22124	23364	23392	23419	23447	24760	24792	24825	26025	26054	26079	26107	26135		
		S/T	0.22	0.25	0.30	0.34	0.24	0.27	0.31	0.36	0.25	0.29	0.33	0.38	0.43	0.49	0.56	0.64		
		PI	1.41	1.41	1.41	1.42	1.50	1.50	1.50	1.50	1.59	1.59	1.59	1.68	1.68	1.68	1.68	1.69		
	41	TC	21379	21408	21432	21461	22664	22691	22718	22745	24019	24050	24081	25281	25311	25335	25364	25392		
		S/T	0.22	0.26	0.30	0.34	0.24	0.27	0.32	0.36	0.25	0.29	0.34	0.38	0.44	0.50	0.57	0.65		
		PI	1.43	1.43	1.43	1.43	1.51	1.52	1.52	1.52	1.60	1.61	1.61	1.70	1.70	1.70	1.71	1.71		
	50	TC	20834	20862	20886	20914	22087	22113	22139	22165	23406	23437	23467	24668	24697	24721	24750	24778		
		S/T	0.23	0.26	0.30	0.34	0.24	0.27	0.32	0.36	0.25	0.29	0.34	0.38	0.44	0.50	0.57	0.65		
		PI	1.44	1.44	1.44	1.45	1.53	1.53	1.53	1.53	1.62	1.62	1.62	1.71	1.72	1.72	1.72	1.72		
	59	TC	21575	21604	21628	21657	22871	22898	22926	22953	24238	24270	24301	25501	25531	25555	25583	25612		
		S/T	0.23	0.26	0.30	0.34	0.24	0.27	0.32	0.36	0.25	0.29	0.34	0.39	0.44	0.50	0.57	0.65		
		PI	1.45	1.45	1.45	1.45	1.54	1.54	1.54	1.54	1.63	1.63	1.63	1.72	1.73	1.73	1.73	1.73		
	68	TC	22315	22345	22370	22400	23656	23684	23712	23740	25070	25102	25135	26335	26364	26389	26417	26445		
		S/T	0.23	0.26	0.30	0.35	0.24	0.27	0.32	0.37	0.26	0.29	0.34	0.39	0.44	0.50	0.58	0.66		
		PI	1.46	1.46	1.46	1.46	1.55	1.55	1.55	1.55	1.64	1.64	1.64	1.73	1.74	1.74	1.74	1.74		
	77	TC	23055	23086	23112	23143	24441	24470	24499	24528	25901	25935	25969	27169	27198	27223	27251	27279		
		S/T	0.23	0.27	0.31	0.35	0.25	0.28	0.33	0.38	0.26	0.30	0.35	0.40	0.45	0.52	0.59	0.67		
		PI	1.47	1.47	1.47	1.47	1.55	1.56	1.56	1.56	1.65	1.65	1.65	1.74	1.75	1.75	1.75	1.75		
	86	TC	19276	19302	19324	19350	20435	20459	20483	20508	21656	21684	21712	22913	22942	22967	22995	23023		
		S/T	0.24	0.27	0.32	0.36	0.25	0.29	0.33	0.38	0.27	0.30	0.35	0.40	0.46	0.52	0.60	0.68		
		PI	1.62	1.62	1.62	1.62	1.71	1.71	1.72	1.72	1.82	1.82	1.82	1.92	1.92	1.93	1.93	1.93		
	95	TC	18974	18999	19021	19046	20114	20138	20162	20186	21316	21344	21372	22572	22601	22626	22654	22682		
		S/T	0.24	0.28	0.32	0.37	0.26	0.29	0.34	0.39	0.27	0.31	0.36	0.41	0.47	0.54	0.61	0.70		
		PI	1.66	1.66	1.66	1.66	1.76	1.76	1.76	1.76	1.86	1.86	1.87	1.97	1.97	1.98	1.98	1.98		
	104	TC	16331	16353	16372	16394	17313	17333	17354	17375	18348	18371	18395	19595	19625	19649	19678	19706		
		S/T	0.25	0.29	0.34	0.39	0.27	0.31	0.36	0.41	0.29	0.33	0.38	0.43	0.50	0.57	0.64	0.73		
		PI	1.51	1.52	1.52	1.52	1.60	1.61	1.61	1.61	1.70	1.70	1.70	1.81	1.81	1.81	1.82	1.82		
	115	TC	14057	14076	14092	14111	14902	14919	14937	14955	15792	15813	15833	17034	17063	17087	17116	17144		
		S/T	0.26	0.29	0.34	0.39	0.27	0.31	0.36	0.42	0.29	0.33	0.39	0.44	0.50	0.57	0.65	0.74		
		PI	1.38	1.38	1.39	1.39	1.47	1.47	1.47	1.47	1.55	1.56	1.56	1.65	1.65	1.65	1.66	1.66		
122	TC	12099	12115	12129	12145	12826	12842	12857	12872	13593	13611	13628	15409	15453	15489	15531	15573			
	S/T	0.27	0.30	0.36	0.41	0.28	0.32	0.38	0.43	0.30	0.34	0.40	0.46	0.52	0.59	0.67	0.77			
	PI	1.26	1.26	1.27	1.27	1.34	1.34	1.34	1.34	1.42	1.42	1.42	1.50	1.50	1.51	1.51	1.51			

PERFORMANCE NON-DUCTED 36K (Sheet 2 of 4)

AIRFLOW (CFM)	OUTDOOR DB °F	ID WB (°F) ID DB (°F)	60.8				64.4				66.2				71.6			
			73.4	77.0	80.6	84.2	73.4	77.0	80.6	84.2	73.4	77.0	80.6	84.2	73.4	77.0	80.6	84.2
			TC	S/T	PI	TC	S/T	PI	TC	S/T	PI	TC	S/T	PI	TC	S/T	PI	TC
Med	-22	TC	24705	24738	24766	24799	26190	26221	26252	26283	27740	27775	27811	29358	29396	29428	29464	29500
		S/T	0.32	0.37	0.43	0.49	0.34	0.39	0.45	0.52	0.36	0.41	0.48	0.55	0.62	0.71	0.81	0.93
		PI	2.29	2.29	2.29	2.30	2.43	2.43	2.43	2.43	2.57	2.57	2.58	2.72	2.73	2.73	2.73	2.74
	-10	TC	25640	25674	25703	25738	27184	27214	27245	27276	28733	28769	28804	30352	30389	30421	30457	30494
		S/T	0.32	0.37	0.43	0.49	0.34	0.39	0.46	0.52	0.36	0.41	0.48	0.55	0.63	0.72	0.82	0.93
		PI	2.21	2.21	2.22	2.22	2.34	2.35	2.35	2.35	2.48	2.49	2.49	2.63	2.63	2.64	2.64	2.64
	0	TC	26419	26454	26484	26520	28011	28042	28073	28104	29561	29596	29632	31179	31217	31249	31285	31321
		S/T	0.32	0.37	0.43	0.49	0.34	0.39	0.46	0.52	0.36	0.42	0.49	0.55	0.63	0.72	0.82	0.94
		PI	2.15	2.15	2.15	2.15	2.27	2.28	2.28	2.28	2.41	2.41	2.42	2.55	2.56	2.56	2.56	2.56
	5	TC	26808	26844	26874	26911	28425	28456	28487	28518	29975	30010	30046	31593	31631	31663	31699	31735
		S/T	0.33	0.37	0.43	0.50	0.35	0.39	0.46	0.52	0.37	0.42	0.49	0.56	0.63	0.72	0.82	0.94
		PI	2.11	2.12	2.12	2.12	2.24	2.24	2.24	2.25	2.37	2.38	2.38	2.51	2.52	2.52	2.52	2.53
	14	TC	27509	27546	27577	27614	29170	29201	29232	29263	30720	30755	30791	32338	32376	32408	32444	32480
		S/T	0.33	0.37	0.44	0.50	0.35	0.40	0.46	0.53	0.37	0.42	0.49	0.56	0.64	0.73	0.83	0.94
		PI	2.05	2.06	2.06	2.06	2.18	2.18	2.18	2.18	2.31	2.31	2.31	2.44	2.45	2.45	2.45	2.46
	23	TC	28104	28141	28173	28211	29802	29832	29863	29894	31351	31387	31423	32970	33007	33039	33075	33112
		S/T	0.33	0.38	0.44	0.50	0.35	0.40	0.46	0.53	0.37	0.42	0.49	0.56	0.64	0.73	0.83	0.95
		PI	2.05	2.06	2.06	2.06	2.18	2.18	2.18	2.19	2.31	2.31	2.31	2.44	2.45	2.45	2.45	2.46
	32	TC	28644	28683	28715	28754	30377	30407	30438	30469	31926	31962	31997	33544	33582	33614	33650	33686
		S/T	0.33	0.38	0.44	0.50	0.35	0.40	0.47	0.53	0.37	0.42	0.50	0.56	0.64	0.73	0.84	0.95
		PI	2.08	2.09	2.09	2.09	2.21	2.21	2.21	2.22	2.34	2.34	2.35	2.48	2.48	2.49	2.49	2.49
	41	TC	27743	27780	27811	27849	29419	29449	29480	29511	30968	31004	31039	32586	32624	32656	32692	32728
		S/T	0.33	0.38	0.44	0.51	0.35	0.40	0.47	0.54	0.37	0.43	0.50	0.57	0.65	0.74	0.84	0.96
		PI	2.11	2.11	2.11	2.12	2.24	2.24	2.24	2.24	2.37	2.37	2.38	2.51	2.51	2.51	2.52	2.52
	50	TC	26998	27034	27065	27101	28627	28658	28689	28720	30176	30212	30248	31795	31833	31864	31901	31937
		S/T	0.33	0.38	0.45	0.51	0.35	0.40	0.47	0.54	0.38	0.43	0.50	0.57	0.65	0.74	0.85	0.96
		PI	2.13	2.13	2.13	2.14	2.26	2.26	2.26	2.26	2.39	2.39	2.40	2.53	2.53	2.54	2.54	2.54
	59	TC	28010	28047	28079	28117	29702	29733	29763	29794	31251	31287	31323	32870	32908	32939	32975	33012
		S/T	0.34	0.38	0.45	0.51	0.36	0.41	0.47	0.54	0.38	0.43	0.50	0.57	0.65	0.75	0.85	0.97
		PI	2.14	2.14	2.15	2.15	2.27	2.27	2.27	2.28	2.40	2.41	2.41	2.55	2.55	2.55	2.56	2.56
	68	TC	29021	29060	29093	29132	30777	30807	30838	30869	32326	32362	32397	33944	33982	34014	34050	34087
		S/T	0.34	0.38	0.45	0.51	0.36	0.41	0.48	0.54	0.38	0.43	0.51	0.58	0.66	0.75	0.85	0.97
		PI	2.15	2.16	2.16	2.16	2.28	2.28	2.29	2.29	2.42	2.42	2.42	2.56	2.56	2.57	2.57	2.57
	77	TC	30032	30073	30106	30147	31851	31882	31913	31944	33401	33436	33472	35019	35057	35089	35125	35161
		S/T	0.35	0.39	0.46	0.53	0.37	0.42	0.49	0.56	0.39	0.44	0.52	0.59	0.67	0.77	0.88	1.00
		PI	2.16	2.17	2.17	2.17	2.29	2.30	2.30	2.30	2.43	2.43	2.44	2.57	2.58	2.58	2.58	2.59
	86	TC	24870	24903	24931	24965	26365	26396	26427	26458	27915	27950	27986	29533	29571	29603	29639	29675
		S/T	0.35	0.40	0.47	0.53	0.37	0.42	0.50	0.57	0.39	0.45	0.53	0.60	0.68	0.78	0.89	1.00
		PI	2.39	2.39	2.39	2.39	2.53	2.53	2.54	2.54	2.68	2.68	2.69	2.84	2.84	2.85	2.85	2.85
	95	TC	24456	24489	24517	24550	25926	25957	25988	26018	27475	27511	27547	29094	29132	29163	29200	29236
		S/T	0.36	0.41	0.48	0.55	0.38	0.43	0.51	0.58	0.40	0.46	0.54	0.61	0.70	0.80	0.91	1.00
		PI	2.45	2.45	2.45	2.46	2.59	2.60	2.60	2.60	2.75	2.75	2.76	2.91	2.91	2.92	2.92	2.92
	104	TC	20846	20874	20897	20925	22090	22120	22151	22182	23639	23675	23710	25257	25295	25327	25363	25400
		S/T	0.38	0.43	0.50	0.57	0.40	0.46	0.53	0.61	0.42	0.48	0.57	0.65	0.74	0.84	0.96	1.00
		PI	2.23	2.24	2.24	2.24	2.37	2.37	2.37	2.38	2.51	2.51	2.52	2.67	2.68	2.68	2.68	2.69
	115	TC	17738	17762	17782	17806	18787	18818	18849	18880	20337	20372	20408	21955	21993	22025	22061	22097
		S/T	0.38	0.44	0.51	0.58	0.41	0.46	0.54	0.62	0.43	0.49	0.57	0.65	0.74	0.85	0.97	1.00
		PI	2.04	2.04	2.05	2.05	2.16	2.17	2.17	2.17	2.29	2.30	2.30	2.43	2.44	2.44	2.44	2.45
122	TC	14353	14373	14389	14408	15161	15206	15252	15298	17460	17513	17566	19862	19918	19965	20019	20073	
	S/T	0.40	0.45	0.53	0.60	0.42	0.48	0.56	0.64	0.44	0.51	0.59	0.68	0.77	0.88	1.00	1.00	
	PI	1.87	1.87	1.87	1.87	1.98	1.98	1.98	1.98	2.10	2.10	2.10	2.22	2.22	2.22	2.23	2.23	

PERFORMANCE NON-DUCTED 36K (Sheet 3 of 4)

AIRFLOW (CFM)	OUTDOOR DB °F	ID WB (°F) ID DB (°F)	60.8				64.4				66.2				71.6			
			73.4	77.0	80.6	84.2	73.4	77.0	80.6	84.2	73.4	77.0	80.6	84.20	73.4	77.0	80.6	84.2
			TC	S/T	PI	TC	S/T	PI	TC	S/T	PI	TC	S/T	PI	TC	S/T	PI	TC
High	-22	TC	36662	36711	36752	36802	38866	38912	38958	39003	41165	41218	41272	43567	43623	43670	43724	43778
		S/T	0.48	0.54	0.63	0.72	0.50	0.58	0.67	0.77	0.53	0.61	0.71	0.81	0.93	1.00	1.00	1.00
		PI	3.40	3.40	3.40	3.41	3.60	3.60	3.61	3.61	3.82	3.82	3.83	4.04	4.05	4.05	4.06	4.06
	-10	TC	38049	38100	38143	38194	40340	40386	40432	40477	42639	42692	42746	45041	45097	45144	45198	45252
		S/T	0.48	0.55	0.64	0.73	0.51	0.58	0.68	0.77	0.54	0.61	0.72	0.82	0.93	1.00	1.00	1.00
		PI	3.28	3.28	3.29	3.29	3.48	3.48	3.49	3.49	3.69	3.69	3.69	3.90	3.91	3.91	3.92	3.92
	0	TC	39205	39258	39302	39355	41569	41614	41660	41706	43868	43921	43974	46270	46326	46373	46427	46481
		S/T	0.48	0.55	0.64	0.73	0.51	0.58	0.68	0.78	0.54	0.62	0.72	0.82	0.94	1.00	1.00	1.00
		PI	3.18	3.19	3.19	3.20	3.37	3.38	3.38	3.39	3.58	3.58	3.59	3.79	3.79	3.80	3.80	3.81
	5	TC	39783	39837	39881	39935	42183	42228	42274	42320	44482	44535	44588	46884	46940	46987	47041	47095
		S/T	0.48	0.55	0.64	0.73	0.51	0.58	0.68	0.78	0.54	0.62	0.72	0.83	0.94	1.00	1.00	1.00
		PI	3.13	3.14	3.14	3.15	3.32	3.33	3.33	3.34	3.52	3.53	3.53	3.73	3.73	3.74	3.74	3.75
	14	TC	40823	40878	40924	40979	43288	43334	43380	43425	45587	45640	45694	47989	48045	48092	48146	48200
		S/T	0.49	0.55	0.65	0.74	0.51	0.59	0.69	0.78	0.55	0.62	0.73	0.83	0.95	1.00	1.00	1.00
		PI	3.05	3.05	3.06	3.06	3.23	3.23	3.24	3.24	3.42	3.43	3.43	3.63	3.63	3.63	3.64	3.64
	23	TC	41705	41761	41808	41865	44226	44271	44317	44363	46525	46578	46631	48926	48983	49030	49083	49137
		S/T	0.49	0.56	0.65	0.74	0.52	0.59	0.69	0.79	0.55	0.63	0.73	0.83	0.95	1.00	1.00	1.00
		PI	3.05	3.05	3.06	3.06	3.23	3.24	3.24	3.24	3.42	3.43	3.43	3.63	3.63	3.63	3.64	3.64
	32	TC	42508	42565	42613	42670	45079	45124	45170	45216	47378	47431	47484	49779	49836	49883	49936	49990
		S/T	0.49	0.56	0.65	0.75	0.52	0.59	0.69	0.79	0.55	0.63	0.74	0.84	0.96	1.00	1.00	1.00
		PI	3.09	3.10	3.10	3.10	3.28	3.28	3.29	3.29	3.47	3.48	3.48	3.68	3.68	3.69	3.69	3.70
	41	TC	41170	41226	41272	41327	43657	43702	43748	43794	45956	46009	46062	48358	48414	48461	48515	48569
		S/T	0.49	0.56	0.66	0.75	0.52	0.60	0.70	0.79	0.55	0.63	0.74	0.84	0.96	1.00	1.00	1.00
		PI	3.13	3.13	3.14	3.14	3.32	3.32	3.33	3.33	3.52	3.52	3.53	3.72	3.73	3.73	3.74	3.74
	50	TC	40065	40119	40164	40218	42482	42528	42574	42619	44782	44835	44888	47183	47240	47287	47340	47394
		S/T	0.50	0.57	0.66	0.75	0.53	0.60	0.70	0.80	0.56	0.63	0.74	0.85	0.96	1.00	1.00	1.00
		PI	3.16	3.16	3.17	3.17	3.35	3.35	3.36	3.36	3.55	3.55	3.56	3.76	3.76	3.77	3.77	3.77
	59	TC	41566	41622	41668	41725	44077	44123	44169	44214	46376	46429	46482	48778	48834	48881	48935	48989
		S/T	0.50	0.57	0.66	0.76	0.53	0.60	0.70	0.80	0.56	0.64	0.75	0.85	0.97	1.00	1.00	1.00
		PI	3.18	3.18	3.18	3.19	3.37	3.37	3.37	3.38	3.57	3.57	3.58	3.78	3.78	3.79	3.79	3.80
	68	TC	43067	43125	43173	43231	45672	45718	45763	45809	47971	48024	48077	50373	50429	50476	50530	50584
		S/T	0.50	0.57	0.67	0.76	0.53	0.60	0.71	0.81	0.56	0.64	0.75	0.86	0.97	1.00	1.00	1.00
		PI	3.19	3.20	3.20	3.21	3.39	3.39	3.39	3.40	3.59	3.59	3.60	3.80	3.80	3.81	3.81	3.82
	77	TC	44568	44628	44678	44738	47267	47313	47358	47404	49566	49619	49672	51968	52024	52071	52125	52179
		S/T	0.51	0.59	0.69	0.78	0.54	0.62	0.73	0.83	0.58	0.66	0.77	0.88	1.00	1.00	1.00	1.00
		PI	3.21	3.22	3.22	3.22	3.41	3.41	3.41	3.42	3.61	3.61	3.62	3.82	3.83	3.83	3.84	3.84
	86	TC	36906	36956	36997	37047	39126	39171	39217	39263	41425	41478	41531	43827	43883	43930	43984	44038
		S/T	0.52	0.59	0.69	0.79	0.55	0.63	0.74	0.84	0.59	0.67	0.78	0.89	1.00	1.00	1.00	1.00
		PI	3.54	3.55	3.55	3.55	3.75	3.76	3.76	3.77	3.98	3.98	3.99	4.21	4.22	4.22	4.23	4.23
	95	TC	36293	36342	36382	36431	38474	38520	38565	38611	40773	40826	40879	43175	43231	43278	43332	43386
		S/T	0.53	0.61	0.71	0.81	0.57	0.65	0.75	0.86	0.60	0.68	0.80	0.91	0.64	0.74	0.85	0.97
		PI	3.63	3.64	3.64	3.64	3.85	3.85	3.86	3.86	4.08	4.08	4.09	4.32	4.32	4.33	4.33	4.34
	104	TC	30935	30977	31011	31053	32781	32826	32872	32918	35080	35133	35186	37482	37538	37585	37639	37693
		S/T	0.56	0.64	0.75	0.85	0.59	0.68	0.79	0.90	0.63	0.72	0.84	0.96	1.00	1.00	1.00	1.00
		PI	3.32	3.32	3.32	3.33	3.52	3.52	3.52	3.53	3.73	3.73	3.74	3.97	3.97	3.98	3.98	3.99
	115	TC	26323	26359	26388	26424	27880	27926	27972	28017	30179	30232	30286	32581	32637	32684	32738	32792
		S/T	0.57	0.65	0.76	0.86	0.60	0.69	0.80	0.91	0.64	0.73	0.85	0.97	1.00	1.00	1.00	1.00
		PI	3.03	3.03	3.04	3.04	3.21	3.22	3.22	3.22	3.40	3.41	3.41	3.61	3.62	3.62	3.63	3.63
122	TC	22354	22384	22409	22439	23663	23708	23754	23800	25962	26015	26068	28363	28420	28467	28520	28574	
	S/T	0.59	0.67	0.78	0.89	0.62	0.71	0.83	0.95	0.66	0.75	0.88	1.00	1.00	1.00	1.00	1.00	
	PI	2.77	2.77	2.77	2.78	2.93	2.94	2.94	2.94	3.11	3.11	3.12	3.29	3.30	3.30	3.30	3.31	

PERFORMANCE NON-DUCTED 36K (Sheet 4 of 4)

AIRFLOW (CFM)	OUTDOOR DB °F	ID WB (°F) ID DB (°F)	60.8				64.4				66.2				71.6			
			73.4	77.0	80.6	84.2	73.4	77.0	80.6	84.2	73.4	77.0	80.6	84.20	73.4	77.0	80.6	84.2
Turbo	-22	TC	39679	39733	39777	39831	42064	42114	42164	42214	44578	44636	44694	47204	47265	47317	47375	47434
		S/T	0.52	0.59	0.69	0.78	0.55	0.62	0.73	0.83	0.58	0.66	0.77	0.88	1.00	1.00	1.00	1.00
		PI	3.68	3.68	3.69	3.69	3.90	3.90	3.91	3.91	4.13	4.14	4.14	4.38	4.38	4.39	4.39	4.40
	-10	TC	41097	41152	41198	41254	43567	43618	43670	43722	46170	46230	46290	48890	48953	49006	49067	49129
		S/T	0.52	0.59	0.69	0.79	0.55	0.63	0.73	0.84	0.58	0.66	0.78	0.89	1.00	1.00	1.00	1.00
		PI	3.55	3.56	3.56	3.57	3.77	3.77	3.77	3.78	3.99	4.00	4.00	4.23	4.23	4.24	4.24	4.25
	0	TC	42277	42334	42382	42439	44818	44872	44925	44978	47497	47558	47620	50295	50360	50415	50477	50540
		S/T	0.52	0.60	0.70	0.79	0.55	0.63	0.74	0.84	0.59	0.67	0.78	0.89	1.00	1.00	1.00	1.00
		PI	3.45	3.45	3.46	3.46	3.65	3.66	3.66	3.67	3.87	3.88	3.88	4.10	4.11	4.11	4.12	4.12
	5	TC	42868	42926	42974	43032	45444	45498	45552	45606	48160	48223	48285	50997	51063	51119	51182	51246
		S/T	0.52	0.60	0.70	0.80	0.55	0.63	0.74	0.84	0.59	0.67	0.78	0.89	1.00	1.00	1.00	1.00
		PI	3.39	3.40	3.40	3.41	3.60	3.60	3.61	3.61	3.81	3.82	3.82	4.04	4.04	4.05	4.05	4.06
	14	TC	43931	43990	44039	44099	46571	46626	46682	46737	49354	49418	49482	52261	52329	52386	52451	52517
		S/T	0.53	0.60	0.70	0.80	0.56	0.64	0.74	0.85	0.59	0.67	0.79	0.90	1.00	1.00	1.00	1.00
		PI	3.30	3.30	3.31	3.31	3.50	3.50	3.51	3.51	3.71	3.71	3.72	3.93	3.93	3.94	3.94	3.95
	23	TC	44832	44892	44942	45003	47526	47583	47639	47696	50366	50432	50497	53333	53403	53461	53527	53594
		S/T	0.53	0.60	0.70	0.80	0.56	0.64	0.75	0.85	0.59	0.68	0.79	0.90	1.00	1.00	1.00	1.00
		PI	3.30	3.31	3.31	3.31	3.50	3.50	3.51	3.51	3.71	3.71	3.72	3.93	3.93	3.94	3.94	3.95
	32	TC	45652	45713	45765	45826	48396	48453	48510	48568	51288	51354	51421	54309	54379	54439	54506	54574
		S/T	0.53	0.61	0.71	0.81	0.56	0.64	0.75	0.86	0.60	0.68	0.80	0.91	1.00	1.00	1.00	1.00
		PI	3.35	3.35	3.36	3.36	3.55	3.55	3.56	3.56	3.76	3.77	3.77	3.98	3.99	3.99	4.00	4.00
	41	TC	44285	44345	44394	44454	46947	47002	47058	47114	49752	49817	49881	52683	52751	52809	52874	52940
		S/T	0.53	0.61	0.71	0.81	0.57	0.65	0.75	0.86	0.60	0.68	0.80	0.91	1.00	1.00	1.00	1.00
		PI	3.39	3.39	3.40	3.40	3.59	3.60	3.60	3.61	3.81	3.81	3.82	4.03	4.04	4.04	4.05	4.05
	50	TC	43156	43214	43262	43321	45750	45804	45858	45913	48484	48547	48610	51340	51406	51462	51526	51590
		S/T	0.54	0.61	0.72	0.82	0.57	0.65	0.76	0.86	0.60	0.69	0.80	0.92	1.00	1.00	1.00	1.00
		PI	3.42	3.42	3.43	3.43	3.63	3.63	3.63	3.64	3.84	3.85	3.85	4.07	4.07	4.08	4.08	4.09
	59	TC	44689	44749	44800	44860	47375	47431	47488	47544	50206	50271	50337	53164	53233	53291	53357	53423
		S/T	0.54	0.61	0.72	0.82	0.57	0.65	0.76	0.87	0.61	0.69	0.81	0.92	1.00	1.00	1.00	1.00
		PI	3.44	3.44	3.45	3.45	3.65	3.65	3.65	3.66	3.86	3.87	3.87	4.09	4.10	4.10	4.11	4.11
	68	TC	46223	46285	46337	46399	49001	49059	49117	49175	51929	51996	52064	54988	55059	55119	55188	55256
		S/T	0.54	0.62	0.72	0.82	0.57	0.66	0.77	0.87	0.61	0.69	0.81	0.93	1.00	1.00	1.00	1.00
		PI	3.46	3.46	3.47	3.47	3.67	3.67	3.68	3.68	3.89	3.89	3.90	4.11	4.12	4.12	4.13	4.13
	77	TC	47756	47820	47874	47938	50626	50686	50746	50806	53651	53721	53791	56812	56886	56948	57018	57089
		S/T	0.56	0.63	0.74	0.85	0.59	0.67	0.79	0.90	0.63	0.71	0.83	0.95	1.00	1.00	1.00	1.00
		PI	3.48	3.48	3.49	3.49	3.69	3.69	3.70	3.70	3.91	3.91	3.92	4.14	4.14	4.15	4.15	4.16
	86	TC	39929	39983	40027	40081	42329	42379	42429	42479	44858	44916	44975	47501	47562	47614	47673	47733
		S/T	0.56	0.64	0.75	0.86	0.60	0.68	0.80	0.91	0.63	0.72	0.84	0.96	1.00	1.00	1.00	1.00
		PI	3.83	3.84	3.84	3.85	4.06	4.07	4.07	4.08	4.31	4.31	4.32	4.56	4.57	4.57	4.58	4.58
	95	TC	39302	39355	39399	39452	41664	41714	41763	41813	44154	44211	44269	46755	46816	46867	46925	46983
		S/T	0.58	0.66	0.77	0.88	0.61	0.70	0.82	0.93	0.65	0.74	0.87	0.99	1.00	1.00	1.00	1.00
		PI	3.93	3.94	3.94	3.95	4.17	4.17	4.18	4.18	4.42	4.42	4.43	4.68	4.68	4.69	4.69	4.70
	104	TC	33829	33874	33912	33958	35862	35904	35947	35989	38005	38054	38104	40243	40296	40340	40390	40440
		S/T	0.61	0.69	0.81	0.92	0.64	0.73	0.86	0.98	0.68	0.75	0.91	1.00	1.00	1.00	1.00	1.00
		PI	3.59	3.60	3.60	3.61	3.81	3.81	3.82	3.82	4.03	4.04	4.05	4.27	4.28	4.28	4.29	4.29
	115	TC	29117	29156	29189	29228	30867	30904	30940	30977	32712	32754	32797	34639	34684	34721	34765	34808
		S/T	0.61	0.70	0.82	0.93	0.65	0.74	0.87	0.99	0.69	0.75	0.92	1.00	1.00	1.00	1.00	1.00
		PI	3.28	3.29	3.29	3.29	3.48	3.48	3.49	3.49	3.69	3.69	3.70	3.90	3.91	3.91	3.92	3.92
122	TC	25062	25096	25124	25158	26568	26600	26631	26663	28156	28193	28229	29815	29853	29886	29923	29960	
	S/T	0.64	0.73	0.85	0.97	0.67	0.75	0.90	1.00	0.71	0.75	0.95	1.00	1.00	1.00	1.00	1.00	
	PI	3.00	3.00	3.00	3.01	3.18	3.18	3.19	3.19	3.37	3.37	3.38	3.57	3.57	3.57	3.58	3.58	

NOTE: Data highlighted in gray is extrapolated data and not actual test data. At 77°F outdoor conditions sweat protection activates causing a decrease in total capacity.

LEGEND

- TC - Total Net Capacity (Btu/hour)
- S/T: Sensible Cooling Capacity Ratio
- PI: Power Input (kW)
- Extrapolated Data

COOLING PERFORMANCE NON-DUCTED

COOLING PERFORMANCE 36K HH

PERFORMANCE NON-DUCTED 36K HH (Sheet 1 of 4)

AIRFLOW (CFM)	OUTDOOR DB °F	ID WB (°F)		60.8				64.4				66.2				71.6			
		ID	WB	73.4	77.0	80.6	84.2	73.4	77.0	80.6	84.2	73.4	77.0	80.6	84.20	73.4	77.0	80.6	84.2
		DB	°F	18015	18040	18060	18084	19098	19121	19143	19166	20239	20266	20292	21710	21745	21774	21807	21840
Low	-22	TC		0.22	0.25	0.29	0.33	0.23	0.26	0.31	0.35	0.24	0.28	0.32	0.37	0.42	0.48	0.55	0.62
		S/T		1.20	1.20	1.20	1.20	1.27	1.27	1.27	1.27	1.34	1.35	1.35	1.42	1.42	1.43	1.43	1.43
		PI		19392	19418	19439	19466	20557	20581	20606	20630	21785	21814	21842	23260	23295	23324	23357	23390
	-10	TC		1.28	1.28	1.28	1.28	1.35	1.36	1.36	1.36	1.43	1.44	1.44	1.52	1.52	1.52	1.52	1.53
		S/T		20538	20566	20589	20617	21773	21799	21824	21850	23074	23104	23134	24552	24587	24616	24649	24682
		PI		0.22	0.25	0.29	0.33	0.23	0.26	0.31	0.35	0.25	0.28	0.33	0.37	0.43	0.49	0.55	0.63
	0	TC		1.34	1.35	1.35	1.35	1.42	1.43	1.43	1.43	1.51	1.51	1.51	1.60	1.60	1.60	1.60	1.61
		S/T		21112	21140	21164	21192	22381	22407	22434	22460	23718	23749	23780	25198	25233	25262	25295	25328
		PI		0.22	0.25	0.29	0.33	0.23	0.27	0.31	0.35	0.25	0.28	0.33	0.37	0.43	0.49	0.56	0.63
	5	TC		1.38	1.38	1.38	1.38	1.46	1.46	1.46	1.47	1.55	1.55	1.55	1.64	1.64	1.64	1.64	1.65
		S/T		22144	22174	22199	22229	23475	23503	23531	23558	24878	24910	24942	26360	26395	26424	26457	26491
		PI		0.22	0.25	0.29	0.34	0.23	0.27	0.31	0.36	0.25	0.28	0.33	0.38	0.43	0.49	0.56	0.64
	14	TC		1.44	1.44	1.44	1.44	1.52	1.53	1.53	1.53	1.62	1.62	1.62	1.71	1.71	1.72	1.72	1.72
		S/T		22910	22941	22967	22998	24287	24316	24345	24374	25739	25772	25806	27224	27258	27287	27321	27354
		PI		0.22	0.25	0.30	0.34	0.24	0.27	0.31	0.36	0.25	0.28	0.33	0.38	0.43	0.49	0.56	0.64
	23	TC		1.51	1.51	1.52	1.52	1.60	1.61	1.61	1.61	1.70	1.70	1.70	1.80	1.80	1.80	1.81	1.81
		S/T		23544	23575	23602	23634	24959	24988	25018	25048	26450	26485	26519	27937	27972	28001	28034	28067
		PI		0.22	0.25	0.30	0.34	0.24	0.27	0.31	0.36	0.25	0.29	0.33	0.38	0.43	0.49	0.56	0.64
	32	TC		1.59	1.60	1.60	1.60	1.69	1.69	1.69	1.70	1.79	1.79	1.79	1.90	1.90	1.90	1.90	1.90
		S/T		23359	23390	23417	23448	24763	24792	24822	24851	26243	26277	26311	27729	27764	27793	27826	27859
		PI		0.22	0.26	0.30	0.34	0.24	0.27	0.32	0.36	0.25	0.29	0.34	0.38	0.44	0.50	0.57	0.65
	41	TC		1.64	1.64	1.64	1.65	1.74	1.74	1.74	1.75	1.84	1.85	1.85	1.95	1.95	1.96	1.96	1.96
		S/T		23249	23280	23307	23338	24646	24676	24705	24734	26119	26153	26187	27605	27640	27669	27702	27736
		PI		0.23	0.26	0.30	0.34	0.24	0.27	0.32	0.36	0.25	0.29	0.34	0.38	0.44	0.50	0.57	0.65
	50	TC		1.67	1.67	1.67	1.68	1.77	1.77	1.77	1.78	1.88	1.88	1.88	1.99	1.99	1.99	1.99	2.00
		S/T		24107	24139	24167	24199	25556	25586	25617	25647	27083	27118	27154	28572	28606	28635	28669	28702
		PI		0.23	0.26	0.30	0.34	0.24	0.27	0.32	0.36	0.25	0.29	0.34	0.39	0.44	0.50	0.57	0.65
	59	TC		1.70	1.70	1.70	1.70	1.80	1.80	1.80	1.81	1.91	1.91	1.91	2.02	2.02	2.02	2.03	2.03
		S/T		24965	24999	25027	25060	26465	26497	26528	26560	28047	28083	28120	29538	29573	29602	29635	29668
		PI		0.23	0.26	0.30	0.35	0.24	0.27	0.32	0.37	0.26	0.29	0.34	0.39	0.44	0.50	0.58	0.66
	68	TC		1.72	1.73	1.73	1.73	1.83	1.83	1.83	1.83	1.94	1.94	1.94	2.05	2.05	2.06	2.06	2.06
		S/T		25823	25858	25887	25922	27375	27407	27440	27472	29011	29048	29086	30504	30539	30568	30601	30635
		PI		0.23	0.27	0.31	0.35	0.25	0.28	0.33	0.38	0.26	0.30	0.35	0.40	0.45	0.52	0.59	0.67
	77	TC		1.75	1.75	1.76	1.76	1.86	1.86	1.86	1.86	1.97	1.97	1.97	2.08	2.09	2.09	2.09	2.09
		S/T		22519	22550	22575	22605	23873	23901	23929	23958	25299	25332	25365	26783	26818	26847	26880	26913
		PI		0.24	0.27	0.32	0.36	0.25	0.29	0.33	0.38	0.27	0.30	0.35	0.40	0.46	0.52	0.60	0.68
	86	TC		1.94	1.94	1.94	1.95	2.06	2.06	2.06	2.06	2.18	2.18	2.18	2.31	2.31	2.31	2.31	2.32
		S/T		22417	22447	22472	22502	23764	23792	23820	23849	25184	25217	25250	26668	26702	26731	26765	26798
		PI		0.24	0.28	0.32	0.37	0.26	0.29	0.34	0.39	0.27	0.31	0.36	0.41	0.47	0.54	0.61	0.70
	95	TC		2.00	2.01	2.01	2.01	2.12	2.13	2.13	2.13	2.25	2.25	2.26	2.38	2.39	2.39	2.39	2.39
		S/T		18944	18969	18991	19016	20082	20106	20130	20154	21282	21310	21338	22756	22790	22820	22853	22886
		PI		0.25	0.29	0.34	0.39	0.27	0.31	0.36	0.41	0.29	0.33	0.38	0.43	0.50	0.57	0.64	0.73
	104	TC		1.77	1.78	1.78	1.78	1.88	1.88	1.88	1.89	1.99	1.99	2.00	2.12	2.13	2.13	2.13	2.14
		S/T		16009	16030	16048	16070	16971	16991	17011	17031	17985	18009	18032	19450	19485	19514	19547	19580
		PI		0.26	0.29	0.34	0.39	0.27	0.31	0.36	0.42	0.29	0.33	0.39	0.44	0.50	0.57	0.65	0.74
	115	TC		1.57	1.57	1.57	1.58	1.66	1.67	1.67	1.67	1.76	1.77	1.77	1.87	1.87	1.87	1.87	1.88
		S/T		13529	13547	13562	13580	14342	14359	14376	14393	15199	15219	15238	17343	17394	17437	17487	17536
		PI		0.27	0.30	0.36	0.41	0.28	0.32	0.38	0.43	0.30	0.34	0.40	0.46	0.52	0.59	0.67	0.77
122	TC		1.39	1.39	1.39	1.40	1.47	1.48	1.48	1.48	1.56	1.56	1.57	1.65	1.66	1.66	1.66	1.66	
	S/T		1.39	1.39	1.39	1.40	1.47	1.48	1.48	1.48	1.56	1.56	1.57	1.65	1.66	1.66	1.66	1.66	
	PI		1.39	1.39	1.39	1.40	1.47	1.48	1.48	1.48	1.56	1.56	1.57	1.65	1.66	1.66	1.66	1.66	

PERFORMANCE NON-DUCTED 36K HH (Sheet 2 of 4)

AIRFLOW (CFM)	OUTDOOR DB °F	ID WB (°F) ID DB (°F)	60.8				64.4				66.2				71.6			
			73.4	77.0	80.6	84.2	73.4	77.0	80.6	84.2	73.4	77.0	80.6	84.2	73.4	77.0	80.6	84.2
			TC	S/T	PI	TC	S/T	PI	TC	S/T	PI	TC	S/T	PI	TC	S/T	PI	TC
Med	-22	TC	22880	22911	22937	22968	24240	24277	24313	24349	26071	26113	26155	27983	28028	28065	28108	28151
		S/T	0.32	0.37	0.43	0.49	0.34	0.39	0.45	0.52	0.36	0.41	0.48	0.55	0.62	0.71	0.81	0.93
		PI	1.77	1.77	1.77	1.77	1.87	1.87	1.88	1.88	1.98	1.99	1.99	2.10	2.10	2.11	2.11	2.11
	-10	TC	24761	24794	24822	24855	26238	26275	26311	26347	28069	28111	28153	29981	30026	30063	30106	30149
		S/T	0.32	0.37	0.43	0.49	0.34	0.39	0.46	0.52	0.36	0.41	0.48	0.55	0.63	0.72	0.82	0.93
		PI	1.89	1.89	1.89	1.89	2.00	2.00	2.00	2.01	2.12	2.12	2.12	2.24	2.25	2.25	2.25	2.25
	0	TC	26328	26363	26393	26428	27903	27940	27976	28012	29734	29776	29818	31646	31691	31728	31771	31814
		S/T	0.32	0.37	0.43	0.49	0.34	0.39	0.46	0.52	0.36	0.42	0.49	0.55	0.63	0.72	0.82	0.94
		PI	1.98	1.99	1.99	1.99	2.10	2.11	2.11	2.11	2.23	2.23	2.24	2.36	2.36	2.37	2.37	2.37
	5	TC	27111	27147	27178	27215	28736	28772	28809	28845	30566	30608	30651	32478	32523	32561	32603	32646
		S/T	0.33	0.37	0.43	0.50	0.35	0.39	0.46	0.52	0.37	0.42	0.49	0.56	0.63	0.72	0.82	0.94
		PI	2.03	2.04	2.04	2.04	2.16	2.16	2.16	2.16	2.29	2.29	2.29	2.42	2.42	2.43	2.43	2.43
	14	TC	28521	28560	28592	28630	30234	30271	30307	30344	32065	32107	32149	33977	34022	34059	34102	34145
		S/T	0.33	0.37	0.44	0.50	0.35	0.40	0.46	0.53	0.37	0.42	0.49	0.56	0.64	0.73	0.83	0.94
		PI	2.12	2.13	2.13	2.13	2.25	2.25	2.26	2.26	2.39	2.39	2.39	2.53	2.53	2.53	2.54	2.54
	23	TC	29568	29608	29641	29681	31347	31383	31420	31456	33177	33220	33262	35090	35134	35172	35215	35258
		S/T	0.33	0.38	0.44	0.50	0.35	0.40	0.46	0.53	0.37	0.42	0.49	0.56	0.64	0.73	0.83	0.95
		PI	2.23	2.24	2.24	2.24	2.37	2.37	2.37	2.38	2.51	2.51	2.52	2.66	2.66	2.66	2.67	2.67
	32	TC	30434	30475	30509	30550	32267	32303	32339	32376	34097	34139	34182	36009	36054	36091	36134	36177
		S/T	0.33	0.38	0.44	0.50	0.35	0.40	0.47	0.53	0.37	0.42	0.50	0.56	0.64	0.73	0.84	0.95
		PI	2.35	2.36	2.36	2.36	2.49	2.50	2.50	2.50	2.64	2.65	2.65	2.80	2.80	2.81	2.81	2.81
	41	TC	30181	30222	30256	30297	31999	32035	32071	32108	33829	33871	33913	35741	35786	35823	35866	35909
		S/T	0.33	0.38	0.44	0.51	0.35	0.40	0.47	0.54	0.37	0.43	0.50	0.57	0.65	0.74	0.84	0.96
		PI	2.42	2.43	2.43	2.43	2.57	2.57	2.57	2.58	2.72	2.73	2.73	2.88	2.89	2.89	2.89	2.90
	50	TC	30031	30071	30105	30146	31839	31875	31912	31948	33669	33711	33754	35581	35626	35664	35706	35749
		S/T	0.33	0.38	0.45	0.51	0.35	0.40	0.47	0.54	0.38	0.43	0.50	0.57	0.65	0.74	0.85	0.96
		PI	2.47	2.47	2.47	2.48	2.61	2.62	2.62	2.62	2.77	2.77	2.78	2.93	2.94	2.94	2.94	2.95
	59	TC	31203	31245	31280	31322	33084	33121	33157	33194	34915	34957	34999	36827	36872	36909	36952	36995
		S/T	0.34	0.38	0.45	0.51	0.36	0.41	0.47	0.54	0.38	0.43	0.50	0.57	0.65	0.75	0.85	0.97
		PI	2.51	2.51	2.51	2.52	2.66	2.66	2.66	2.67	2.82	2.82	2.82	2.98	2.99	2.99	2.99	3.00
	68	TC	32375	32419	32455	32499	34330	34366	34403	34439	36160	36203	36245	38073	38117	38155	38198	38241
		S/T	0.34	0.38	0.45	0.51	0.36	0.41	0.48	0.54	0.38	0.43	0.51	0.58	0.66	0.75	0.85	0.97
		PI	2.55	2.55	2.55	2.56	2.70	2.70	2.71	2.71	2.86	2.87	2.87	3.03	3.03	3.04	3.04	3.04
	77	TC	33548	33593	33630	33676	35576	35612	35648	35685	37406	37448	37490	39318	39363	39400	39443	39486
		S/T	0.35	0.39	0.46	0.53	0.37	0.42	0.49	0.56	0.39	0.44	0.52	0.59	0.67	0.77	0.88	1.00
		PI	2.59	2.59	2.59	2.60	2.74	2.75	2.75	2.75	2.91	2.91	2.91	3.08	3.08	3.09	3.09	3.09
	86	TC	29034	29073	29106	29145	30779	30815	30852	30888	32610	32652	32694	34522	34566	34604	34647	34690
		S/T	0.35	0.40	0.47	0.53	0.37	0.42	0.50	0.57	0.39	0.45	0.53	0.60	0.68	0.78	0.89	1.00
		PI	2.86	2.87	2.87	2.87	3.04	3.04	3.04	3.05	3.22	3.22	3.22	3.41	3.41	3.41	3.42	3.42
	95	TC	28894	28933	28965	29004	30630	30667	30703	30740	32461	32503	32545	34373	34418	34455	34498	34541
		S/T	0.36	0.41	0.48	0.55	0.38	0.43	0.51	0.58	0.40	0.46	0.54	0.61	0.70	0.80	0.91	1.00
		PI	2.96	2.96	2.97	2.97	3.14	3.14	3.14	3.15	3.32	3.33	3.33	3.52	3.52	3.53	3.53	3.54
	104	TC	24149	24181	24208	24241	25588	25625	25661	25697	27419	27461	27503	29331	29376	29413	29456	29499
		S/T	0.38	0.43	0.50	0.57	0.40	0.46	0.53	0.61	0.42	0.48	0.57	0.65	0.74	0.84	0.96	1.00
		PI	2.62	2.62	2.63	2.63	2.78	2.78	2.78	2.79	2.94	2.95	2.95	3.14	3.14	3.15	3.15	3.15
	115	TC	20139	20166	20189	20216	21327	21364	21400	21436	23158	23200	23242	25070	25115	25152	25195	25238
		S/T	0.38	0.44	0.51	0.58	0.41	0.46	0.54	0.62	0.43	0.49	0.57	0.65	0.74	0.85	0.97	1.00
		PI	2.32	2.32	2.32	2.33	2.46	2.46	2.46	2.47	2.61	2.61	2.61	2.76	2.76	2.77	2.77	2.77
	122	TC	15911	15933	15950	15972	16800	16854	16908	16962	19516	19579	19641	22354	22420	22475	22539	22603
		S/T	0.40	0.45	0.53	0.60	0.42	0.48	0.56	0.64	0.44	0.51	0.59	0.68	0.77	0.88	1.00	1.00
		PI	2.05	2.06	2.06	2.06	2.18	2.18	2.18	2.18	2.31	2.31	2.31	2.44	2.45	2.45	2.45	2.45

PERFORMANCE NON-DUCTED 36K HH (Sheet 3 of 4)

AIRFLOW (CFM)	OUTDOOR DB °F	ID WB (°F) ID DB (°F)	60.8				64.4				66.2				71.6			
			73.4	77.0	80.6	84.2	73.4	77.0	80.6	84.2	73.4	77.0	80.6	84.20	73.4	77.0	80.6	84.2
			TC	S/T	PI	TC	S/T	PI	TC	S/T	PI	TC	S/T	PI	TC	S/T	PI	TC
High	-22	TC	33954	34000	34038	34084	35972	36026	36080	36134	38689	38751	38814	41526	41593	41648	41712	41776
		S/T	0.48	0.54	0.63	0.72	0.50	0.58	0.67	0.77	0.53	0.61	0.71	0.81	0.93	1.00	1.00	1.00
		PI	2.62	2.62	2.63	2.63	2.78	2.78	2.79	2.79	2.94	2.95	2.95	3.12	3.12	3.13	3.13	3.13
	-10	TC	36744	36794	36835	36885	38938	38991	39045	39099	41654	41716	41779	44491	44558	44613	44677	44741
		S/T	0.48	0.55	0.64	0.73	0.51	0.58	0.68	0.77	0.54	0.61	0.72	0.82	0.93	1.00	1.00	1.00
		PI	2.80	2.80	2.81	2.81	2.97	2.97	2.97	2.98	3.14	3.15	3.15	3.33	3.33	3.34	3.34	3.34
	0	TC	39070	39122	39166	39219	41408	41462	41516	41570	44125	44187	44250	46962	47029	47084	47148	47212
		S/T	0.48	0.55	0.64	0.73	0.51	0.58	0.68	0.78	0.54	0.62	0.72	0.82	0.94	1.00	1.00	1.00
		PI	2.95	2.95	2.95	2.96	3.12	3.13	3.13	3.13	3.31	3.31	3.32	3.50	3.51	3.51	3.52	3.52
	5	TC	40232	40286	40332	40386	42644	42698	42752	42806	45360	45423	45485	48198	48264	48320	48383	48447
		S/T	0.48	0.55	0.64	0.73	0.51	0.58	0.68	0.78	0.54	0.62	0.72	0.83	0.94	1.00	1.00	1.00
		PI	3.02	3.02	3.03	3.03	3.20	3.20	3.21	3.21	3.39	3.40	3.40	3.59	3.60	3.60	3.60	3.61
	14	TC	42325	42382	42430	42487	44868	44921	44975	45029	47584	47646	47709	50421	50488	50543	50607	50671
		S/T	0.49	0.55	0.65	0.74	0.51	0.59	0.69	0.78	0.55	0.62	0.73	0.83	0.95	1.00	1.00	1.00
		PI	3.15	3.16	3.16	3.16	3.34	3.35	3.35	3.35	3.54	3.55	3.55	3.75	3.75	3.76	3.76	3.77
	23	TC	43879	43938	43987	44047	46519	46573	46626	46681	49235	49298	49360	52073	52139	52194	52258	52322
		S/T	0.49	0.56	0.65	0.74	0.52	0.59	0.69	0.79	0.55	0.63	0.73	0.83	0.95	1.00	1.00	1.00
		PI	3.31	3.32	3.32	3.33	3.51	3.52	3.52	3.53	3.72	3.73	3.73	3.94	3.95	3.95	3.96	3.96
	32	TC	45163	45224	45275	45336	47884	47937	47991	48045	50600	50662	50725	53437	53504	53559	53623	53687
		S/T	0.49	0.56	0.65	0.75	0.52	0.59	0.69	0.79	0.55	0.63	0.74	0.84	0.96	1.00	1.00	1.00
		PI	3.49	3.50	3.50	3.51	3.70	3.71	3.71	3.72	3.92	3.93	3.93	4.15	4.16	4.16	4.17	4.17
	41	TC	44789	44849	44899	44960	47485	47539	47593	47647	50202	50264	50327	53039	53106	53161	53225	53289
		S/T	0.49	0.56	0.66	0.75	0.52	0.60	0.70	0.79	0.55	0.63	0.74	0.84	0.96	1.00	1.00	1.00
		PI	3.60	3.60	3.60	3.61	3.81	3.82	3.82	3.83	4.04	4.04	4.05	4.28	4.28	4.29	4.29	4.30
	50	TC	44566	44626	44676	44736	47249	47302	47356	47410	49965	50027	50090	52802	52869	52924	52988	53052
		S/T	0.50	0.57	0.66	0.75	0.53	0.60	0.70	0.80	0.56	0.63	0.74	0.85	0.96	1.00	1.00	1.00
		PI	3.66	3.66	3.67	3.67	3.88	3.88	3.89	3.89	4.11	4.12	4.12	4.35	4.36	4.36	4.37	4.38
	59	TC	46305	46368	46420	46482	49097	49151	49205	49259	51813	51876	51939	54651	54717	54773	54836	54900
		S/T	0.50	0.57	0.66	0.76	0.53	0.60	0.70	0.80	0.56	0.64	0.75	0.85	0.97	1.00	1.00	1.00
		PI	3.72	3.72	3.73	3.73	3.94	3.95	3.95	3.96	4.18	4.18	4.19	4.43	4.43	4.44	4.44	4.45
	68	TC	48045	48109	48163	48228	50945	50999	51053	51107	53662	53724	53787	56499	56566	56621	56685	56749
		S/T	0.50	0.57	0.67	0.76	0.53	0.60	0.71	0.81	0.56	0.64	0.75	0.86	0.97	1.00	1.00	1.00
		PI	3.78	3.78	3.79	3.79	4.01	4.01	4.02	4.02	4.25	4.25	4.26	4.50	4.50	4.51	4.51	4.52
	77	TC	49784	49851	49907	49974	52794	52848	52902	52956	55510	55573	55635	58348	58414	58470	58533	58597
		S/T	0.51	0.59	0.69	0.78	0.54	0.62	0.73	0.83	0.58	0.66	0.77	0.88	1.00	1.00	1.00	1.00
		PI	3.84	3.84	3.85	3.85	4.07	4.07	4.08	4.08	4.31	4.32	4.32	4.57	4.57	4.58	4.58	4.59
	86	TC	43086	43144	43192	43250	45676	45730	45784	45838	48392	48455	48518	51230	51296	51352	51415	51479
		S/T	0.52	0.59	0.69	0.79	0.55	0.63	0.74	0.84	0.59	0.67	0.78	0.89	1.00	1.00	1.00	1.00
		PI	4.25	4.25	4.26	4.27	4.50	4.51	4.51	4.52	4.77	4.78	4.79	5.05	5.06	5.07	5.07	5.08
	95	TC	42878	42936	42984	43042	45455	45509	45563	45617	48172	48234	48297	51009	51076	51131	51195	51258
		S/T	0.53	0.61	0.71	0.81	0.57	0.65	0.75	0.86	0.60	0.68	0.80	0.91	0.64	0.74	0.85	0.97
		PI	4.39	4.40	4.40	4.41	4.65	4.66	4.66	4.67	4.93	4.94	4.94	5.22	5.23	5.23	5.24	5.25
	104	TC	35837	35885	35925	35973	37973	38027	38081	38135	40689	40752	40814	43527	43593	43649	43712	43776
		S/T	0.56	0.64	0.75	0.85	0.59	0.68	0.79	0.90	0.63	0.72	0.84	0.96	1.00	1.00	1.00	1.00
		PI	3.89	3.89	3.90	3.90	4.12	4.12	4.13	4.13	4.37	4.37	4.38	4.66	4.66	4.67	4.67	4.68
	115	TC	29886	29926	29960	30000	31650	31703	31757	31811	34366	34428	34491	37203	37270	37325	37389	37453
		S/T	0.57	0.65	0.76	0.86	0.60	0.69	0.80	0.91	0.64	0.73	0.85	0.97	1.00	1.00	1.00	1.00
		PI	3.44	3.45	3.45	3.45	3.65	3.65	3.66	3.66	3.87	3.87	3.88	4.09	4.10	4.10	4.11	4.11
122	TC	24857	24891	24919	24952	26306	26360	26414	26468	29022	29085	29147	31860	31926	31982	32045	32109	
	S/T	0.59	0.67	0.78	0.89	0.62	0.71	0.83	0.95	0.66	0.75	0.88	1.00	1.00	1.00	1.00	1.00	
	PI	3.05	3.05	3.05	3.06	3.23	3.23	3.24	3.24	3.42	3.43	3.43	3.62	3.63	3.63	3.64	3.64	

PERFORMANCE NON-DUCTED 36K HH (Sheet 4 of 4)

AIRFLOW (CFM)	OUTDOOR DB °F	ID WB (°F) ID DB (°F)	60.8				64.4				66.2				71.6			
			73.4	77.0	80.6	84.2	73.4	77.0	80.6	84.2	73.4	77.0	80.6	84.2	73.4	77.0	80.6	84.2
			Turbo	-22	TC	37317	37367	37409	37459	39560	39606	39653	39700	41923	41978	42033	44393	44451
		S/T	0.52	0.59	0.69	0.78	0.55	0.62	0.73	0.83	0.58	0.66	0.77	0.88	1.00	1.00	1.00	1.00
		PI	2.84	2.84	2.85	2.85	3.01	3.01	3.02	3.02	3.19	3.19	3.20	3.38	3.38	3.38	3.39	3.39
	-10	TC	40167	40221	40267	40321	42582	42632	42682	42733	45126	45185	45243	47784	47846	47898	47958	48018
		S/T	0.52	0.59	0.69	0.79	0.55	0.63	0.73	0.84	0.58	0.66	0.78	0.89	1.00	1.00	1.00	1.00
		PI	3.03	3.03	3.04	3.04	3.21	3.22	3.22	3.22	3.40	3.41	3.41	3.60	3.61	3.61	3.62	3.62
	0	TC	42543	42600	42648	42705	45100	45153	45207	45260	47795	47857	47919	50610	50676	50731	50794	50858
		S/T	0.52	0.60	0.70	0.79	0.55	0.63	0.74	0.84	0.59	0.67	0.78	0.89	1.00	1.00	1.00	1.00
		PI	3.19	3.19	3.20	3.20	3.38	3.39	3.39	3.39	3.58	3.59	3.59	3.79	3.80	3.80	3.81	3.81
	5	TC	43731	43789	43839	43898	46359	46414	46469	46524	49129	49193	49257	52023	52091	52148	52212	52278
		S/T	0.52	0.60	0.70	0.80	0.55	0.63	0.74	0.84	0.59	0.67	0.78	0.89	1.00	1.00	1.00	1.00
		PI	3.27	3.27	3.28	3.28	3.47	3.47	3.47	3.48	3.67	3.68	3.68	3.89	3.89	3.90	3.90	3.91
	14	TC	45869	45930	45982	46044	48625	48683	48741	48799	51531	51598	51665	54567	54638	54697	54765	54833
		S/T	0.53	0.60	0.70	0.80	0.56	0.64	0.74	0.85	0.59	0.67	0.79	0.90	1.00	1.00	1.00	1.00
		PI	3.41	3.42	3.42	3.43	3.62	3.62	3.63	3.63	3.83	3.84	3.84	4.06	4.07	4.07	4.08	4.08
	23	TC	47456	47520	47573	47637	50308	50368	50428	50487	53315	53384	53453	56455	56529	56590	56660	56731
		S/T	0.53	0.60	0.70	0.80	0.56	0.64	0.75	0.85	0.59	0.68	0.79	0.90	1.00	1.00	1.00	1.00
		PI	3.59	3.59	3.60	3.60	3.81	3.81	3.81	3.82	4.03	4.04	4.04	4.27	4.28	4.28	4.29	4.29
	32	TC	48768	48834	48889	48955	51699	51761	51822	51883	54789	54860	54931	58016	58092	58155	58227	58300
		S/T	0.53	0.61	0.71	0.81	0.56	0.64	0.75	0.86	0.60	0.68	0.80	0.91	1.00	1.00	1.00	1.00
		PI	3.78	3.79	3.79	3.80	4.01	4.01	4.02	4.02	4.25	4.25	4.26	4.50	4.50	4.51	4.52	4.52
	41	TC	48386	48451	48505	48570	51294	51354	51415	51476	54359	54429	54500	57561	57636	57698	57770	57842
		S/T	0.53	0.61	0.71	0.81	0.57	0.65	0.75	0.86	0.60	0.68	0.80	0.91	1.00	1.00	1.00	1.00
		PI	3.89	3.90	3.90	3.91	4.13	4.13	4.14	4.14	4.37	4.38	4.39	4.63	4.64	4.64	4.65	4.65
	50	TC	48158	48223	48277	48342	51052	51113	51173	51234	54103	54173	54244	57290	57364	57427	57498	57570
		S/T	0.54	0.61	0.72	0.82	0.57	0.65	0.76	0.86	0.60	0.69	0.80	0.92	1.00	1.00	1.00	1.00
		PI	3.96	3.97	3.97	3.98	4.20	4.21	4.21	4.22	4.45	4.46	4.46	4.72	4.72	4.73	4.73	4.74
	59	TC	49935	50002	50058	50126	52936	52999	53062	53125	56099	56172	56245	59404	59481	59546	59620	59694
		S/T	0.54	0.61	0.72	0.82	0.57	0.65	0.76	0.87	0.61	0.69	0.81	0.92	1.00	1.00	1.00	1.00
		PI	4.03	4.03	4.04	4.04	4.27	4.28	4.28	4.29	4.53	4.53	4.54	4.79	4.80	4.80	4.81	4.82
	68	TC	51712	51782	51840	51910	54820	54885	54950	55015	58096	58171	58247	61518	61598	61665	61742	61819
		S/T	0.54	0.62	0.72	0.82	0.57	0.66	0.77	0.87	0.61	0.69	0.81	0.93	1.00	1.00	1.00	1.00
		PI	4.09	4.10	4.10	4.11	4.34	4.34	4.35	4.35	4.60	4.60	4.61	4.87	4.88	4.88	4.89	4.89
	77	TC	53489	53561	53621	53693	56704	56771	56838	56906	60092	60170	60249	63632	63715	63784	63864	63943
		S/T	0.56	0.63	0.74	0.85	0.59	0.67	0.79	0.90	0.63	0.71	0.83	0.95	1.00	1.00	1.00	1.00
		PI	4.16	4.16	4.17	4.17	4.41	4.41	4.42	4.42	4.67	4.68	4.68	4.95	4.95	4.96	4.96	4.97
	86	TC	46646	46709	46761	46824	49449	49508	49567	49626	52404	52472	52541	55491	55564	55624	55693	55762
		S/T	0.56	0.64	0.75	0.86	0.60	0.68	0.80	0.91	0.63	0.72	0.84	0.96	1.00	1.00	1.00	1.00
		PI	4.60	4.61	4.61	4.62	4.88	4.88	4.89	4.90	5.17	5.18	5.18	5.47	5.48	5.49	5.49	5.50
	95	TC	46434	46496	46548	46611	49224	49283	49341	49400	52166	52234	52302	55239	55311	55371	55440	55509
		S/T	0.58	0.66	0.77	0.88	0.61	0.70	0.82	0.93	0.65	0.74	0.87	0.99	1.00	1.00	1.00	1.00
		PI	4.75	4.76	4.77	4.77	5.04	5.05	5.05	5.06	5.34	5.35	5.35	5.65	5.66	5.67	5.68	5.68
	104	TC	39240	39293	39337	39390	41598	41648	41697	41746	44084	44141	44199	46681	46742	46792	46851	46909
		S/T	0.61	0.69	0.81	0.92	0.64	0.73	0.86	0.98	0.68	0.75	0.91	1.00	1.00	1.00	1.00	1.00
		PI	4.21	4.21	4.22	4.22	4.46	4.47	4.47	4.48	4.73	4.73	4.74	5.01	5.01	5.02	5.03	5.03
	115	TC	33160	33205	33242	33287	35154	35195	35237	35279	37254	37303	37351	39449	39500	39543	39592	39641
		S/T	0.61	0.70	0.82	0.93	0.65	0.74	0.87	0.99	0.69	0.75	0.92	1.00	1.00	1.00	1.00	1.00
		PI	3.73	3.73	3.74	3.74	3.95	3.96	3.96	3.96	4.19	4.19	4.20	4.43	4.44	4.44	4.45	4.45
	122	TC	28023	28061	28092	28130	29707	29742	29778	29813	31482	31523	31564	33337	33380	33417	33458	33500
		S/T	0.64	0.73	0.85	0.97	0.67	0.75	0.90	1.00	0.71	0.75	0.95	1.00	1.00	1.00	1.00	1.00
		PI	3.30	3.30	3.31	3.31	3.50	3.50	3.51	3.51	3.71	3.71	3.72	3.93	3.93	3.93	3.94	3.94

NOTE: Data highlighted in gray is extrapolated data and not actual test data. At 77°F outdoor conditions sweat protection activates causing a decrease in total capacity.

LEGEND

- TC - Total Net Capacity (Btu/hour)
- S/T: Sensible Cooling Capacity Ratio
- PI: Power Input (kW)
- Extrapolated Data

COOLING PERFORMANCE NON-DUCTED

COOLING PERFORMANCE 48K

PERFORMANCE NON-DUCTED 48K (Sheet 1 of 4)

AIRFLOW (CFM)	OUTDOOR DB °F	ID WB (°F) ID DB (°F)	60.8				64.4				66.2				71.6			
			73.4	77.0	80.6	84.2	73.4	77.0	80.6	84.2	73.4	77.0	80.6	84.20	73.4	77.0	80.6	84.2
Low	-22	TC	23527	23559	23585	23617	24941	24970	25000	25030	26431	26466	26500	27995	28031	28062	28097	28132
		S/T	0.22	0.25	0.29	0.33	0.23	0.26	0.31	0.35	0.24	0.28	0.32	0.37	0.42	0.48	0.55	0.62
		PI	1.44	1.44	1.44	1.45	1.53	1.53	1.53	1.53	1.62	1.62	1.62	1.71	1.72	1.72	1.72	1.72
	-10	TC	24084	24117	24144	24176	25532	25562	25592	25623	27058	27093	27128	28623	28659	28690	28725	28760
		S/T	0.22	0.25	0.29	0.33	0.23	0.26	0.31	0.35	0.24	0.28	0.33	0.37	0.42	0.48	0.55	0.63
		PI	1.51	1.51	1.51	1.51	1.60	1.60	1.60	1.61	1.70	1.70	1.70	1.80	1.80	1.80	1.80	1.80
	0	TC	24549	24582	24610	24643	26024	26055	26086	26117	27580	27615	27651	29146	29182	29213	29248	29283
		S/T	0.22	0.25	0.29	0.33	0.23	0.26	0.31	0.35	0.25	0.28	0.33	0.37	0.43	0.49	0.55	0.63
		PI	1.57	1.57	1.57	1.57	1.66	1.66	1.66	1.67	1.76	1.76	1.76	1.86	1.87	1.87	1.87	1.87
	5	TC	24781	24815	24842	24876	26271	26302	26333	26364	27840	27877	27913	29407	29444	29475	29510	29545
		S/T	0.22	0.25	0.29	0.33	0.23	0.27	0.31	0.35	0.25	0.28	0.33	0.38	0.43	0.49	0.56	0.63
		PI	1.59	1.60	1.60	1.60	1.69	1.69	1.69	1.70	1.79	1.79	1.80	1.90	1.90	1.90	1.90	1.91
	14	TC	25199	25233	25261	25296	26714	26745	26777	26809	28310	28347	28384	29878	29915	29945	29981	30016
		S/T	0.22	0.25	0.29	0.34	0.23	0.27	0.31	0.36	0.25	0.28	0.33	0.38	0.43	0.49	0.56	0.64
		PI	1.65	1.65	1.65	1.65	1.74	1.75	1.75	1.75	1.85	1.85	1.85	1.96	1.96	1.96	1.96	1.97
	23	TC	25075	25108	25137	25170	26582	26613	26645	26676	28170	28207	28243	29738	29775	29805	29840	29875
		S/T	0.22	0.25	0.30	0.34	0.24	0.27	0.31	0.36	0.25	0.28	0.33	0.38	0.43	0.49	0.56	0.64
		PI	1.66	1.66	1.66	1.66	1.76	1.76	1.76	1.76	1.86	1.86	1.87	1.97	1.97	1.97	1.98	1.98
	32	TC	24679	24712	24740	24773	26162	26193	26224	26255	27725	27761	27798	29292	29329	29359	29394	29429
		S/T	0.22	0.25	0.30	0.34	0.24	0.27	0.32	0.36	0.25	0.29	0.33	0.38	0.43	0.50	0.56	0.64
		PI	1.65	1.65	1.65	1.65	1.74	1.75	1.75	1.75	1.85	1.85	1.85	1.96	1.96	1.96	1.96	1.97
	41	TC	25101	25135	25163	25197	26610	26641	26673	26704	28200	28236	28273	29768	29804	29835	29870	29905
		S/T	0.22	0.26	0.30	0.34	0.24	0.27	0.32	0.36	0.25	0.29	0.34	0.38	0.44	0.50	0.57	0.65
		PI	1.65	1.65	1.66	1.66	1.75	1.75	1.76	1.76	1.86	1.86	1.86	1.97	1.97	1.97	1.97	1.98
	50	TC	25691	25725	25754	25789	27235	27267	27300	27332	28862	28900	28938	30432	30469	30499	30534	30569
		S/T	0.23	0.26	0.30	0.34	0.24	0.27	0.32	0.36	0.25	0.29	0.34	0.38	0.44	0.50	0.57	0.65
		PI	1.67	1.67	1.68	1.68	1.77	1.77	1.78	1.78	1.88	1.88	1.88	1.99	1.99	1.99	2.00	2.00
	59	TC	25797	25832	25861	25896	27348	27380	27413	27445	28982	29020	29057	30552	30589	30619	30654	30689
		S/T	0.23	0.26	0.30	0.34	0.24	0.27	0.32	0.36	0.25	0.29	0.34	0.39	0.44	0.50	0.57	0.65
		PI	1.70	1.70	1.70	1.70	1.80	1.80	1.80	1.80	1.91	1.91	1.91	2.02	2.02	2.02	2.03	2.03
	68	TC	25904	25939	25968	26003	27461	27493	27526	27559	29102	29139	29177	30672	30709	30739	30774	30809
		S/T	0.23	0.26	0.30	0.35	0.24	0.27	0.32	0.37	0.26	0.29	0.34	0.39	0.44	0.51	0.58	0.66
		PI	1.72	1.72	1.73	1.73	1.82	1.83	1.83	1.83	1.93	1.94	1.94	2.05	2.05	2.05	2.06	2.06
	77	TC	26010	26045	26075	26110	27574	27606	27639	27672	29221	29259	29297	30792	30828	30859	30894	30929
		S/T	0.23	0.27	0.31	0.36	0.25	0.28	0.33	0.38	0.26	0.30	0.35	0.40	0.45	0.52	0.59	0.67
		PI	1.75	1.75	1.75	1.75	1.85	1.85	1.86	1.86	1.96	1.96	1.97	2.08	2.08	2.08	2.09	2.09
	86	TC	24007	24039	24066	24099	25450	25480	25510	25541	26971	27006	27041	28535	28572	28603	28638	28673
		S/T	0.24	0.27	0.32	0.36	0.25	0.29	0.33	0.38	0.27	0.30	0.35	0.40	0.46	0.53	0.60	0.68
		PI	1.96	1.96	1.96	1.96	2.07	2.08	2.08	2.08	2.20	2.20	2.20	2.33	2.33	2.33	2.34	2.34
	95	TC	23627	23658	23685	23717	25047	25076	25106	25136	26543	26578	26612	28107	28144	28174	28209	28244
		S/T	0.24	0.28	0.32	0.37	0.26	0.29	0.34	0.39	0.27	0.31	0.36	0.41	0.47	0.54	0.61	0.70
		PI	2.02	2.03	2.03	2.03	2.14	2.15	2.15	2.15	2.27	2.28	2.28	2.41	2.41	2.41	2.42	2.42
	104	TC	20853	20881	20905	20933	22106	22133	22159	22185	23427	23458	23488	24983	25019	25050	25085	25120
		S/T	0.25	0.29	0.34	0.39	0.27	0.31	0.36	0.41	0.29	0.33	0.38	0.44	0.50	0.57	0.64	0.74
		PI	1.69	1.69	1.69	1.69	1.79	1.79	1.79	1.79	1.89	1.90	1.90	2.03	2.03	2.03	2.03	2.04
	115	TC	18405	18430	18450	18475	19511	19534	19557	19581	20677	20704	20731	22225	22262	22293	22328	22363
		S/T	0.26	0.29	0.34	0.39	0.27	0.31	0.36	0.42	0.29	0.33	0.39	0.44	0.50	0.57	0.65	0.74
		PI	1.40	1.41	1.41	1.41	1.49	1.49	1.49	1.49	1.58	1.58	1.58	1.65	1.65	1.65	1.65	1.66
122	TC	16244	16266	16284	16306	17221	17241	17262	17282	18250	18273	18297	20514	20568	20614	20666	20718	
	S/T	0.27	0.30	0.36	0.41	0.28	0.32	0.38	0.43	0.30	0.34	0.40	0.46	0.52	0.59	0.68	0.77	
	PI	1.17	1.17	1.17	1.17	1.24	1.24	1.24	1.24	1.31	1.32	1.32	1.39	1.39	1.39	1.40	1.40	

PERFORMANCE NON-DUCTED 48K (Sheet 2 of 4)

AIRFLOW (CFM)	OUTDOOR DB °F	ID WB (°F) ID DB (°F)	60.8				64.4				66.2				71.6			
			73.4	77.0	80.6	84.2	73.4	77.0	80.6	84.2	73.4	77.0	80.6	84.20	73.4	77.0	80.6	84.2
			TC	S/T	PI	TC	S/T	PI	TC	S/T	PI	TC	S/T	PI	TC	S/T	PI	TC
Med	-22	TC	30331	30372	30406	30447	32154	32192	32231	32269	34084	34128	34173	36100	36147	36187	36232	36277
		S/T	0.32	0.37	0.43	0.49	0.34	0.39	0.45	0.52	0.36	0.41	0.48	0.55	0.62	0.71	0.81	0.93
		PI	2.13	2.13	2.13	2.13	2.25	2.26	2.26	2.26	2.39	2.39	2.40	2.53	2.53	2.54	2.54	2.54
	-10	TC	31093	31135	31170	31212	32964	33002	33040	33079	34894	34938	34983	36910	36957	36997	37042	37087
		S/T	0.32	0.37	0.43	0.49	0.34	0.39	0.46	0.52	0.36	0.41	0.48	0.55	0.63	0.72	0.82	0.93
		PI	2.23	2.23	2.23	2.24	2.36	2.36	2.37	2.37	2.50	2.51	2.51	2.65	2.65	2.66	2.66	2.66
	0	TC	31728	31771	31807	31849	33638	33677	33715	33753	35568	35613	35657	37585	37632	37671	37717	37762
		S/T	0.32	0.37	0.43	0.49	0.34	0.39	0.46	0.52	0.37	0.42	0.49	0.55	0.63	0.72	0.82	0.94
		PI	2.31	2.31	2.32	2.32	2.45	2.45	2.46	2.46	2.60	2.60	2.60	2.75	2.75	2.76	2.76	2.76
	5	TC	32046	32089	32125	32168	33976	34014	34052	34091	35906	35950	35995	37922	37969	38009	38054	38099
		S/T	0.33	0.37	0.43	0.50	0.35	0.39	0.46	0.53	0.37	0.42	0.49	0.56	0.63	0.72	0.82	0.94
		PI	2.35	2.36	2.36	2.36	2.49	2.50	2.50	2.50	2.64	2.65	2.65	2.80	2.80	2.81	2.81	2.81
	14	TC	32617	32661	32698	32742	34583	34621	34660	34698	36513	36558	36602	38529	38577	38616	38661	38707
		S/T	0.33	0.37	0.44	0.50	0.35	0.40	0.46	0.53	0.37	0.42	0.49	0.56	0.64	0.73	0.83	0.94
		PI	2.43	2.43	2.43	2.44	2.57	2.58	2.58	2.58	2.73	2.73	2.74	2.89	2.89	2.90	2.90	2.90
	23	TC	32447	32491	32527	32571	34402	34440	34479	34517	36332	36377	36421	38348	38396	38435	38480	38526
		S/T	0.33	0.38	0.44	0.50	0.35	0.40	0.47	0.53	0.37	0.42	0.49	0.56	0.64	0.73	0.83	0.95
		PI	2.44	2.45	2.45	2.45	2.59	2.59	2.60	2.60	2.75	2.75	2.75	2.91	2.91	2.91	2.92	2.92
	32	TC	31906	31949	31985	32028	33827	33865	33904	33942	35757	35802	35846	37773	37821	37860	37905	37950
		S/T	0.33	0.38	0.44	0.50	0.35	0.40	0.47	0.53	0.37	0.42	0.50	0.56	0.64	0.73	0.84	0.95
		PI	2.43	2.43	2.44	2.44	2.58	2.58	2.58	2.58	2.73	2.73	2.74	2.89	2.89	2.90	2.90	2.90
	41	TC	32483	32527	32563	32607	34440	34479	34517	34555	36370	36415	36460	38387	38434	38473	38519	38564
		S/T	0.33	0.38	0.44	0.51	0.35	0.40	0.47	0.54	0.37	0.43	0.50	0.57	0.65	0.74	0.84	0.96
		PI	2.44	2.44	2.45	2.45	2.59	2.59	2.59	2.59	2.74	2.74	2.75	2.90	2.91	2.91	2.91	2.92
	50	TC	33289	33334	33371	33416	35297	35335	35374	35412	37227	37272	37316	39243	39291	39330	39375	39421
		S/T	0.33	0.38	0.45	0.51	0.35	0.40	0.47	0.54	0.38	0.43	0.50	0.57	0.65	0.74	0.85	0.96
		PI	2.47	2.47	2.47	2.48	2.61	2.62	2.62	2.62	2.77	2.77	2.78	2.93	2.94	2.94	2.94	2.95
	59	TC	33435	33480	33517	33562	35452	35490	35528	35567	37382	37426	37471	39398	39445	39485	39530	39575
		S/T	0.34	0.38	0.45	0.51	0.36	0.41	0.47	0.54	0.38	0.43	0.50	0.57	0.65	0.75	0.85	0.97
		PI	2.50	2.51	2.51	2.51	2.65	2.66	2.66	2.66	2.81	2.82	2.82	2.98	2.98	2.99	2.99	2.99
	68	TC	33580	33625	33663	33709	35606	35645	35683	35721	37536	37581	37626	39553	39600	39639	39685	39730
		S/T	0.34	0.38	0.45	0.51	0.36	0.41	0.48	0.54	0.38	0.43	0.51	0.58	0.66	0.75	0.85	0.97
		PI	2.54	2.54	2.55	2.55	2.69	2.70	2.70	2.70	2.85	2.86	2.86	3.02	3.03	3.03	3.03	3.04
	77	TC	33726	33771	33809	33855	35761	35799	35838	35876	37691	37736	37780	39707	39755	39794	39839	39885
		S/T	0.35	0.40	0.46	0.53	0.37	0.42	0.49	0.56	0.39	0.44	0.52	0.59	0.67	0.77	0.88	1.00
		PI	2.58	2.58	2.58	2.59	2.73	2.74	2.74	2.74	2.90	2.90	2.90	3.07	3.07	3.07	3.08	3.08
	86	TC	30988	31029	31064	31106	32851	32890	32928	32966	34781	34826	34870	36798	36845	36884	36930	36975
		S/T	0.35	0.40	0.47	0.53	0.37	0.42	0.50	0.57	0.39	0.45	0.53	0.60	0.68	0.78	0.89	1.00
		PI	2.89	2.89	2.89	2.90	3.06	3.06	3.07	3.07	3.24	3.25	3.25	3.43	3.44	3.44	3.45	3.45
	95	TC	30468	30509	30543	30584	32299	32337	32375	32414	34229	34273	34318	36245	36292	36332	36377	36422
		S/T	0.36	0.41	0.48	0.55	0.38	0.44	0.51	0.58	0.40	0.46	0.54	0.61	0.70	0.80	0.91	1.00
		PI	2.99	2.99	2.99	3.00	3.17	3.17	3.17	3.18	3.36	3.36	3.36	3.55	3.56	3.56	3.57	3.57
	104	TC	26676	26712	26742	26778	28270	28308	28347	28385	30200	30245	30289	32217	32264	32303	32348	32394
		S/T	0.38	0.43	0.50	0.57	0.40	0.46	0.53	0.61	0.42	0.48	0.57	0.65	0.74	0.84	0.96	1.00
		PI	2.49	2.49	2.49	2.50	2.64	2.64	2.64	2.65	2.79	2.80	2.80	2.99	3.00	3.00	3.00	3.01
	115	TC	23330	23361	23388	23419	24714	24753	24791	24829	26644	26689	26733	28661	28708	28747	28793	28838
		S/T	0.38	0.44	0.51	0.58	0.41	0.46	0.54	0.62	0.43	0.49	0.57	0.65	0.74	0.85	0.97	1.00
		PI	2.07	2.07	2.08	2.08	2.20	2.20	2.20	2.20	2.33	2.33	2.33	2.43	2.43	2.44	2.44	2.45
	122	TC	19493	19519	19541	19568	20600	20657	20714	20771	23463	23529	23595	26454	26524	26582	26649	26717
		S/T	0.40	0.45	0.53	0.60	0.42	0.48	0.56	0.64	0.44	0.51	0.59	0.68	0.77	0.88	1.00	1.00
		PI	1.73	1.73	1.73	1.73	1.83	1.83	1.83	1.84	1.94	1.94	1.94	2.05	2.06	2.06	2.06	2.06

PERFORMANCE NON-DUCTED 48K (Sheet 3 of 4)

AIRFLOW (CFM)	OUTDOOR DB °F	ID WB (°F) ID DB (°F)	60.8				64.4				66.2				71.6				
			73.4	77.0	80.6	84.2	73.4	77.0	80.6	84.2	73.4	77.0	80.6	84.20	73.4	77.0	80.6	84.2	
			TC	S/T	PI	TC	S/T	PI	TC	S/T	PI	TC	S/T	PI	TC	S/T	PI	TC	S/T
High	-22	TC	44990	45051	45101	45162	47694	47750	47807	47864	50557	50623	50689	53547	53617	53676	53743	53810	
		S/T	0.48	0.54	0.63	0.72	0.50	0.58	0.67	0.77	0.53	0.61	0.71	0.81	0.93	1.00	1.00	1.00	1.00
		PI	3.15	3.16	3.16	3.17	3.34	3.35	3.35	3.36	3.54	3.55	3.55	3.75	3.76	3.76	3.77	3.77	3.77
	-10	TC	46120	46182	46234	46297	48895	48951	49008	49065	51758	51824	51890	54748	54818	54877	54944	55011	
		S/T	0.48	0.55	0.64	0.73	0.51	0.58	0.68	0.77	0.54	0.61	0.72	0.82	0.93	1.00	1.00	1.00	1.00
		PI	3.30	3.31	3.31	3.32	3.50	3.51	3.51	3.51	3.71	3.72	3.72	3.93	3.94	3.94	3.94	3.94	3.95
	0	TC	47062	47126	47179	47242	49896	49952	50009	50066	52758	52824	52891	55749	55819	55878	55945	56012	
		S/T	0.48	0.55	0.64	0.73	0.51	0.58	0.68	0.78	0.54	0.62	0.72	0.82	0.94	1.00	1.00	1.00	1.00
		PI	3.43	3.43	3.44	3.44	3.63	3.64	3.64	3.65	3.85	3.86	3.86	4.08	4.08	4.09	4.09	4.09	4.10
	5	TC	47533	47597	47651	47715	50396	50453	50510	50567	53259	53325	53391	56250	56320	56378	56445	56512	
		S/T	0.48	0.55	0.64	0.73	0.51	0.58	0.68	0.78	0.54	0.62	0.72	0.83	0.94	1.00	1.00	1.00	1.00
		PI	3.49	3.50	3.50	3.50	3.70	3.70	3.71	3.71	3.92	3.93	3.93	4.15	4.16	4.16	4.17	4.17	4.17
	14	TC	48381	48446	48500	48566	51297	51354	51410	51467	54160	54226	54292	57150	57220	57279	57346	57413	
		S/T	0.49	0.55	0.65	0.74	0.51	0.59	0.69	0.78	0.55	0.62	0.73	0.83	0.95	1.00	1.00	1.00	1.00
		PI	3.60	3.61	3.61	3.62	3.82	3.82	3.83	3.83	4.05	4.05	4.06	4.29	4.29	4.30	4.30	4.31	4.31
	23	TC	48128	48193	48247	48312	51028	51085	51142	51199	53891	53957	54023	56882	56952	57011	57078	57145	
		S/T	0.49	0.56	0.65	0.74	0.52	0.59	0.69	0.79	0.55	0.63	0.73	0.83	0.95	1.00	1.00	1.00	1.00
		PI	3.63	3.63	3.63	3.64	3.85	3.85	3.85	3.86	4.07	4.08	4.08	4.31	4.32	4.32	4.33	4.33	4.33
	32	TC	47326	47389	47442	47506	50175	50232	50289	50346	53038	53104	53170	56029	56099	56158	56225	56292	
		S/T	0.49	0.56	0.65	0.75	0.52	0.59	0.69	0.79	0.55	0.63	0.74	0.84	0.96	1.00	1.00	1.00	1.00
		PI	3.60	3.61	3.61	3.62	3.82	3.82	3.83	3.83	4.05	4.05	4.06	4.29	4.29	4.30	4.30	4.31	4.31
	41	TC	48182	48247	48301	48366	51085	51142	51199	51256	53948	54014	54080	56939	57009	57067	57134	57202	
		S/T	0.49	0.56	0.66	0.75	0.52	0.60	0.70	0.79	0.55	0.63	0.74	0.84	0.96	1.00	1.00	1.00	1.00
		PI	3.62	3.62	3.63	3.63	3.84	3.84	3.84	3.85	4.06	4.07	4.08	4.30	4.31	4.31	4.32	4.32	4.32
	50	TC	49378	49444	49500	49566	52356	52413	52470	52527	55219	55285	55351	58210	58280	58338	58405	58472	
		S/T	0.50	0.57	0.66	0.75	0.53	0.60	0.70	0.80	0.56	0.63	0.74	0.85	0.96	1.00	1.00	1.00	1.00
		PI	3.66	3.66	3.67	3.67	3.88	3.88	3.89	3.89	4.11	4.12	4.12	4.35	4.36	4.36	4.37	4.37	4.37
	59	TC	49594	49660	49716	49783	52585	52642	52699	52756	55448	55514	55580	58439	58509	58567	58635	58702	
		S/T	0.50	0.57	0.66	0.76	0.53	0.60	0.70	0.80	0.56	0.64	0.75	0.85	0.97	1.00	1.00	1.00	1.00
		PI	3.71	3.72	3.72	3.73	3.94	3.94	3.95	3.95	4.17	4.18	4.18	4.42	4.42	4.43	4.43	4.43	4.44
	68	TC	49809	49876	49932	50000	52815	52872	52928	52985	55678	55744	55810	58668	58738	58797	58864	58931	
		S/T	0.50	0.57	0.67	0.76	0.53	0.60	0.71	0.81	0.56	0.64	0.75	0.86	0.97	1.00	1.00	1.00	1.00
		PI	3.77	3.77	3.78	3.78	4.00	4.00	4.00	4.01	4.23	4.24	4.24	4.48	4.49	4.49	4.50	4.51	4.51
	77	TC	50025	50093	50149	50217	53044	53101	53158	53215	55907	55973	56039	58898	58968	59026	59093	59161	
		S/T	0.51	0.59	0.69	0.78	0.54	0.62	0.73	0.83	0.58	0.66	0.77	0.88	1.00	1.00	1.00	1.00	1.00
		PI	3.82	3.83	3.83	3.84	4.05	4.06	4.06	4.07	4.30	4.30	4.31	4.55	4.55	4.56	4.57	4.57	4.57
	86	TC	45964	46026	46077	46139	48728	48785	48842	48899	51591	51657	51723	54582	54652	54710	54777	54845	
		S/T	0.52	0.59	0.69	0.79	0.55	0.63	0.74	0.84	0.59	0.67	0.78	0.89	1.00	1.00	1.00	1.00	1.00
		PI	4.28	4.29	4.29	4.30	4.54	4.54	4.55	4.56	4.81	4.82	4.82	5.09	5.10	5.11	5.11	5.12	5.12
	95	TC	45192	45253	45304	45365	47909	47965	48022	48079	50772	50838	50904	53762	53832	53891	53958	54025	
		S/T	0.53	0.61	0.71	0.81	0.57	0.65	0.75	0.86	0.60	0.68	0.80	0.91	0.64	0.74	0.85	0.97	0.97
		PI	4.43	4.44	4.44	4.45	4.70	4.70	4.71	4.71	4.98	4.98	4.99	5.27	5.28	5.28	5.29	5.30	5.30
	104	TC	39569	39622	39667	39720	41933	41990	42047	42104	44796	44862	44928	47787	47857	47915	47982	48049	
		S/T	0.56	0.64	0.75	0.85	0.59	0.68	0.79	0.90	0.63	0.72	0.84	0.96	1.00	1.00	1.00	1.00	1.00
		PI	3.69	3.69	3.70	3.70	3.91	3.92	3.92	3.93	4.15	4.15	4.16	4.44	4.44	4.45	4.46	4.46	4.46
	115	TC	34605	34652	34691	34738	36659	36715	36772	36829	39522	39587	39654	42512	42582	42641	42708	42775	
		S/T	0.57	0.65	0.76	0.86	0.60	0.69	0.80	0.91	0.64	0.73	0.85	0.97	1.00	1.00	1.00	1.00	1.00
		PI	3.07	3.08	3.08	3.08	3.26	3.26	3.27	3.27	3.45	3.46	3.46	3.60	3.61	3.61	3.62	3.63	3.63
122	TC	30225	30265	30299	30340	32004	32060	32117	32174	34866	34932	34999	37857	37927	37986	38053	38120		
	S/T	0.59	0.67	0.78	0.89	0.62	0.71	0.83	0.95	0.66	0.75	0.88	1.00	1.00	1.00	1.00	1.00	1.00	
	PI	2.56	2.56	2.57	2.57	2.71	2.72	2.72	2.72	2.88	2.88	2.88	3.04	3.05	3.05	3.06	3.06	3.06	

PERFORMANCE NON-DUCTED 48K (Sheet 4 of 4)

AIRFLOW (CFM)	OUTDOOR DB °F	ID WB (°F) ID DB (°F)	60.8				64.4				66.2				71.6			
			73.4	77.0	80.6	84.2	73.4	77.0	80.6	84.2	73.4	77.0	80.6	84.20	73.4	77.0	80.6	84.2
Turbo	-22	TC	48733	48799	48854	48919	51662	51723	51785	51846	54749	54821	54892	57975	58050	58113	58185	58258
		S/T	0.52	0.59	0.69	0.78	0.55	0.62	0.73	0.83	0.58	0.66	0.77	0.88	1.00	1.00	1.00	1.00
		PI	3.42	3.42	3.42	3.43	3.62	3.63	3.63	3.63	3.84	3.84	3.85	4.06	4.07	4.07	4.08	4.08
	-10	TC	49888	49955	50011	50078	52886	52949	53012	53075	56047	56119	56192	59348	59425	59490	59564	59638
		S/T	0.52	0.59	0.69	0.79	0.55	0.63	0.73	0.84	0.58	0.66	0.78	0.89	1.00	1.00	1.00	1.00
		PI	3.58	3.58	3.59	3.59	3.79	3.80	3.80	3.81	4.02	4.02	4.03	4.26	4.26	4.27	4.27	4.28
	0	TC	50850	50919	50976	51044	53906	53970	54034	54098	57128	57202	57276	60493	60572	60637	60713	60788
		S/T	0.52	0.60	0.70	0.79	0.55	0.63	0.74	0.84	0.59	0.67	0.78	0.89	1.00	1.00	1.00	1.00
		PI	3.71	3.72	3.72	3.73	3.94	3.94	3.95	3.95	4.17	4.18	4.18	4.42	4.42	4.43	4.43	4.44
	5	TC	51331	51400	51458	51527	54416	54481	54545	54610	57668	57743	57818	61065	61145	61211	61287	61364
		S/T	0.52	0.60	0.70	0.80	0.55	0.63	0.74	0.84	0.59	0.67	0.78	0.89	1.00	1.00	1.00	1.00
		PI	3.78	3.79	3.79	3.79	4.01	4.01	4.02	4.02	4.25	4.25	4.26	4.50	4.50	4.51	4.51	4.52
	14	TC	52197	52267	52326	52397	55335	55400	55464	55532	58641	58717	58794	62095	62176	62244	62321	62399
		S/T	0.53	0.60	0.70	0.80	0.56	0.64	0.74	0.85	0.59	0.67	0.79	0.90	1.00	1.00	1.00	1.00
		PI	3.90	3.91	3.91	3.92	4.14	4.14	4.15	4.15	4.38	4.39	4.39	4.64	4.65	4.65	4.66	4.66
	23	TC	51939	52009	52067	52138	55061	55126	55192	55257	58351	58427	58503	61789	61869	61936	62013	62090
		S/T	0.53	0.60	0.70	0.80	0.56	0.64	0.75	0.85	0.59	0.68	0.79	0.90	1.00	1.00	1.00	1.00
		PI	3.93	3.93	3.94	3.94	4.16	4.17	4.17	4.18	4.41	4.42	4.42	4.67	4.68	4.68	4.69	4.69
	32	TC	51119	51188	51245	51314	54192	54256	54320	54385	57430	57504	57579	60813	60892	60958	61034	61110
		S/T	0.53	0.61	0.71	0.81	0.56	0.64	0.75	0.86	0.60	0.68	0.80	0.91	1.00	1.00	1.00	1.00
		PI	3.90	3.91	3.91	3.92	4.14	4.14	4.15	4.15	4.38	4.39	4.39	4.64	4.65	4.65	4.66	4.66
	41	TC	51994	52064	52122	52193	55119	55184	55250	55315	58413	58489	58565	61854	61934	62001	62078	62156
		S/T	0.53	0.61	0.71	0.81	0.57	0.65	0.75	0.86	0.60	0.68	0.80	0.91	1.00	1.00	1.00	1.00
		PI	3.92	3.92	3.93	3.93	4.15	4.16	4.16	4.17	4.40	4.41	4.41	4.66	4.67	4.67	4.68	4.68
	50	TC	53216	53287	53347	53419	56414	56481	56548	56615	59785	59863	59941	63307	63389	63458	63537	63616
		S/T	0.54	0.61	0.72	0.82	0.57	0.65	0.76	0.86	0.60	0.69	0.80	0.92	1.00	1.00	1.00	1.00
		PI	3.96	3.97	3.97	3.98	4.20	4.20	4.21	4.21	4.45	4.46	4.46	4.71	4.72	4.72	4.73	4.74
	59	TC	53436	53508	53568	53640	56648	56715	56782	56850	60033	60111	60189	63569	63652	63721	63800	63880
		S/T	0.54	0.61	0.72	0.82	0.57	0.65	0.76	0.87	0.61	0.69	0.81	0.92	1.00	1.00	1.00	1.00
		PI	4.02	4.03	4.03	4.04	4.26	4.27	4.27	4.28	4.52	4.52	4.53	4.78	4.79	4.80	4.80	4.81
	68	TC	53657	53729	53789	53862	56882	56949	57017	57084	60281	60359	60438	63832	63915	63984	64064	64144
		S/T	0.54	0.62	0.72	0.82	0.57	0.66	0.77	0.87	0.61	0.69	0.81	0.93	1.00	1.00	1.00	1.00
		PI	4.08	4.09	4.09	4.10	4.33	4.33	4.34	4.34	4.58	4.59	4.60	4.86	4.86	4.87	4.87	4.88
	77	TC	53877	53950	54012	54083	57115	57183	57251	57319	60529	60607	60686	64094	64177	64247	64327	64407
		S/T	0.56	0.63	0.74	0.85	0.59	0.67	0.79	0.90	0.63	0.71	0.83	0.95	1.00	1.00	1.00	1.00
		PI	4.14	4.15	4.15	4.16	4.39	4.39	4.40	4.41	4.65	4.66	4.66	4.93	4.93	4.94	4.94	4.95
	86	TC	49728	49795	49851	49918	52717	52779	52842	52904	55867	55939	56012	59158	59235	59299	59373	59447
		S/T	0.56	0.64	0.75	0.86	0.60	0.68	0.80	0.91	0.63	0.72	0.84	0.96	1.00	1.00	1.00	1.00
		PI	4.64	4.64	4.65	4.65	4.92	4.92	4.93	4.93	5.21	5.22	5.22	5.52	5.52	5.53	5.54	5.54
	95	TC	48940	49006	49061	49127	51881	51943	52004	52066	54982	55053	55125	58220	58296	58359	58432	58505
		S/T	0.58	0.66	0.77	0.88	0.61	0.70	0.82	0.93	0.65	0.74	0.87	0.99	1.00	1.00	1.00	1.00
		PI	4.80	4.80	4.81	4.82	5.09	5.09	5.10	5.10	5.39	5.40	5.40	5.71	5.71	5.72	5.73	5.73
	104	TC	43195	43253	43301	43360	45791	45845	45899	45954	48527	48590	48653	51386	51452	51508	51573	51637
		S/T	0.61	0.69	0.81	0.92	0.64	0.73	0.86	0.98	0.68	0.75	0.91	1.00	1.00	1.00	1.00	1.00
		PI	4.00	4.00	4.01	4.01	4.24	4.24	4.25	4.25	4.49	4.49	4.50	4.75	4.76	4.76	4.77	4.78
	115	TC	38124	38175	38218	38269	40415	40463	40511	40559	42830	42886	42942	45353	45412	45462	45518	45575
		S/T	0.61	0.70	0.82	0.93	0.65	0.74	0.87	0.99	0.69	0.75	0.92	1.00	1.00	1.00	1.00	1.00
		PI	3.33	3.33	3.34	3.34	3.53	3.53	3.54	3.54	3.74	3.74	3.75	3.96	3.96	3.97	3.97	3.98
122	TC	33648	33694	33731	33777	35671	35713	35755	35798	37802	37851	37901	40029	40081	40125	40175	40225	
	S/T	0.64	0.73	0.85	0.97	0.67	0.75	0.90	1.00	0.71	0.75	0.95	1.00	1.00	1.00	1.00	1.00	
	PI	2.77	2.78	2.78	2.78	2.94	2.94	2.95	2.95	3.11	3.12	3.12	3.30	3.30	3.31	3.31	3.31	

NOTE: Data highlighted in gray is extrapolated data and not actual test data. At 77°F outdoor conditions sweat protection activates causing a decrease in total capacity.

LEGEND

- TC - Total Net Capacity (Btu/hour)
- S/T: Sensible Cooling Capacity Ratio
- PI: Power Input (kW)
- Extrapolated Data

COOLING PERFORMANCE NON-DUCTED

COOLING PERFORMANCE 48K HH

PERFORMANCE NON-DUCTED 48K HH (Sheet 1 of 4)

AIRFLOW (CFM)	OUTDOOR DB °F	ID WB (°F)	60.8				64.4				66.2				71.6			
		ID DB (°F)	73.4	77.0	80.6	84.2	73.4	77.0	80.6	84.2	73.4	77.0	80.6	84.20	73.4	77.0	80.6	84.2
Low	-22	TC	24092	24125	24152	24184	25540	25571	25601	25631	27067	27102	27137	28553	28587	28616	28649	28683
		S/T	0.22	0.25	0.29	0.33	0.23	0.26	0.31	0.35	0.24	0.28	0.32	0.37	0.42	0.48	0.55	0.62
		PI	0.56	0.56	0.56	0.56	0.59	0.59	0.59	0.59	0.63	0.63	0.63	0.66	0.66	0.66	0.67	0.67
	-10	TC	24719	24753	24780	24814	26205	26236	26267	26298	27771	27807	27843	29259	29294	29323	29356	29389
		S/T	0.22	0.25	0.29	0.33	0.23	0.26	0.31	0.35	0.24	0.28	0.33	0.37	0.42	0.48	0.55	0.63
		PI	0.74	0.74	0.74	0.74	0.78	0.78	0.78	0.78	0.83	0.83	0.83	0.87	0.88	0.88	0.88	0.88
	0	TC	25242	25276	25304	25338	26759	26791	26823	26854	28358	28395	28432	29848	29882	29911	29944	29978
		S/T	0.22	0.25	0.29	0.33	0.23	0.26	0.31	0.35	0.25	0.28	0.33	0.37	0.43	0.49	0.55	0.63
		PI	0.88	0.88	0.89	0.89	0.94	0.94	0.94	0.94	0.99	0.99	1.00	1.05	1.05	1.05	1.05	1.06
	5	TC	25503	25538	25566	25601	27036	27068	27100	27132	28652	28689	28726	30142	30177	30206	30239	30272
		S/T	0.22	0.25	0.29	0.33	0.23	0.27	0.31	0.35	0.25	0.28	0.33	0.38	0.43	0.49	0.56	0.63
		PI	0.96	0.96	0.96	0.96	1.02	1.02	1.02	1.02	1.08	1.08	1.08	1.14	1.14	1.14	1.14	1.14
	14	TC	25974	26009	26038	26073	27535	27567	27600	27633	29180	29218	29256	30672	30706	30735	30769	30802
		S/T	0.22	0.25	0.29	0.34	0.23	0.27	0.31	0.36	0.25	0.28	0.33	0.38	0.43	0.49	0.56	0.64
		PI	1.09	1.09	1.09	1.10	1.16	1.16	1.16	1.16	1.23	1.23	1.23	1.30	1.30	1.30	1.30	1.30
	23	TC	25603	25637	25666	25700	27141	27174	27206	27238	28763	28801	28838	30254	30288	30317	30351	30384
		S/T	0.22	0.25	0.30	0.34	0.24	0.27	0.31	0.36	0.25	0.28	0.33	0.38	0.43	0.49	0.56	0.64
		PI	1.19	1.19	1.19	1.19	1.26	1.26	1.26	1.27	1.34	1.34	1.34	1.42	1.42	1.42	1.42	1.42
	32	TC	24811	24844	24872	24906	26302	26333	26364	26396	27874	27910	27946	29362	29397	29425	29459	29492
		S/T	0.22	0.25	0.30	0.34	0.24	0.27	0.32	0.36	0.25	0.29	0.33	0.38	0.43	0.50	0.56	0.64
		PI	1.27	1.27	1.27	1.28	1.35	1.35	1.35	1.35	1.43	1.43	1.43	1.51	1.51	1.52	1.52	1.52
	41	TC	24309	24342	24369	24402	25770	25801	25831	25862	27310	27346	27381	28797	28832	28861	28894	28927
		S/T	0.22	0.26	0.30	0.34	0.24	0.27	0.32	0.36	0.25	0.29	0.34	0.38	0.44	0.50	0.57	0.65
		PI	1.36	1.36	1.36	1.36	1.44	1.44	1.44	1.45	1.53	1.53	1.53	1.62	1.62	1.62	1.62	1.62
	50	TC	24055	24088	24115	24147	25501	25531	25562	25592	27025	27060	27095	28511	28546	28575	28608	28641
		S/T	0.23	0.26	0.30	0.34	0.24	0.27	0.32	0.36	0.25	0.29	0.34	0.38	0.44	0.50	0.57	0.65
		PI	1.43	1.44	1.44	1.44	1.52	1.52	1.52	1.53	1.61	1.61	1.61	1.71	1.71	1.71	1.71	1.71
	59	TC	24007	24039	24066	24098	25450	25480	25510	25540	26970	27005	27041	28456	28491	28520	28553	28586
		S/T	0.23	0.26	0.30	0.34	0.24	0.27	0.32	0.36	0.25	0.29	0.34	0.39	0.44	0.50	0.57	0.65
		PI	1.48	1.48	1.48	1.48	1.57	1.57	1.57	1.57	1.66	1.66	1.66	1.76	1.76	1.76	1.76	1.77
	68	TC	23958	23990	24017	24050	25398	25428	25458	25488	26916	26951	26986	28401	28436	28465	28498	28531
		S/T	0.23	0.26	0.30	0.35	0.24	0.27	0.32	0.37	0.26	0.29	0.34	0.39	0.44	0.51	0.58	0.66
		PI	1.52	1.52	1.52	1.53	1.61	1.61	1.61	1.62	1.71	1.71	1.71	1.81	1.81	1.81	1.81	1.82
	77	TC	23909	23941	23968	24001	25346	25376	25406	25437	26861	26896	26931	28347	28381	28410	28443	28477
		S/T	0.23	0.27	0.31	0.36	0.25	0.28	0.33	0.38	0.26	0.30	0.35	0.40	0.45	0.52	0.59	0.67
		PI	1.56	1.56	1.57	1.57	1.66	1.66	1.66	1.66	1.76	1.76	1.76	1.86	1.86	1.86	1.87	1.87
	86	TC	22697	22728	22754	22784	24062	24090	24119	24147	25500	25533	25566	26982	27016	27045	27078	27112
		S/T	0.24	0.27	0.32	0.36	0.25	0.29	0.33	0.38	0.27	0.30	0.35	0.40	0.46	0.53	0.60	0.68
		PI	1.82	1.82	1.82	1.83	1.93	1.93	1.93	1.94	2.04	2.05	2.05	2.16	2.17	2.17	2.17	2.18
	95	TC	22380	22410	22436	22466	23725	23754	23782	23810	25143	25176	25209	26624	26659	26688	26721	26754
		S/T	0.24	0.28	0.32	0.37	0.26	0.29	0.34	0.39	0.27	0.31	0.36	0.41	0.47	0.54	0.61	0.70
		PI	1.91	1.91	1.92	1.92	2.03	2.03	2.03	2.03	2.15	2.15	2.15	2.27	2.28	2.28	2.28	2.29
	104	TC	19879	19906	19928	19955	21074	21099	21124	21149	22334	22363	22392	23807	23842	23871	23904	23937
		S/T	0.25	0.29	0.34	0.39	0.27	0.31	0.36	0.41	0.29	0.33	0.38	0.44	0.50	0.57	0.64	0.74
		PI	1.62	1.62	1.62	1.62	1.71	1.72	1.72	1.72	1.82	1.82	1.82	1.94	1.94	1.95	1.95	1.95
	115	TC	17658	17682	17702	17725	18719	18741	18764	18786	19838	19864	19889	21305	21340	21369	21402	21435
		S/T	0.26	0.29	0.34	0.39	0.27	0.31	0.36	0.42	0.29	0.33	0.39	0.44	0.50	0.57	0.65	0.74
		PI	1.37	1.37	1.37	1.37	1.45	1.45	1.45	1.45	1.54	1.54	1.54	1.61	1.61	1.61	1.62	1.62
	122	TC	15685	15706	15723	15745	16627	16647	16667	16687	17621	17644	17667	19767	19818	19861	19910	19960
		S/T	0.27	0.30	0.36	0.41	0.28	0.32	0.38	0.43	0.30	0.34	0.40	0.46	0.52	0.59	0.68	0.77
		PI	1.16	1.16	1.16	1.16	1.22	1.23	1.23	1.23	1.30	1.30	1.30	1.37	1.38	1.38	1.38	1.38

PERFORMANCE NON-DUCTED 48K HH (Sheet 2 of 4)

AIRFLOW (CFM)	OUTDOOR DB °F	ID WB (°F) ID DB (°F)	60.8				64.4				66.2				71.6			
			73.4	77.0	80.6	84.2	73.4	77.0	80.6	84.2	73.4	77.0	80.6	84.20	73.4	77.0	80.6	84.2
Med	-22	TC	31201	31242	31278	31320	33082	33118	33154	33191	34910	34952	34994	36820	36865	36902	36945	36988
		S/T	0.32	0.37	0.43	0.49	0.34	0.39	0.45	0.52	0.36	0.41	0.48	0.55	0.62	0.71	0.81	0.93
		PI	0.82	0.82	0.82	0.83	0.87	0.87	0.87	0.88	0.92	0.93	0.93	0.98	0.98	0.98	0.98	0.98
	-10	TC	32058	32101	32137	32180	33993	34029	34065	34101	35821	35863	35905	37731	37775	37813	37856	37899
		S/T	0.32	0.37	0.43	0.49	0.34	0.39	0.46	0.52	0.36	0.41	0.48	0.55	0.63	0.72	0.82	0.93
		PI	1.09	1.09	1.09	1.09	1.15	1.15	1.15	1.15	1.22	1.22	1.22	1.29	1.29	1.29	1.30	1.30
	0	TC	32772	32816	32853	32897	34752	34788	34824	34861	36580	36622	36664	38490	38535	38572	38615	38658
		S/T	0.32	0.37	0.43	0.49	0.34	0.39	0.46	0.52	0.37	0.42	0.49	0.55	0.63	0.72	0.82	0.94
		PI	1.30	1.31	1.31	1.31	1.38	1.38	1.39	1.39	1.46	1.47	1.47	1.55	1.55	1.55	1.56	1.56
	5	TC	33129	33174	33211	33256	35131	35167	35204	35240	36959	37002	37044	38869	38914	38951	38994	39037
		S/T	0.33	0.37	0.43	0.50	0.35	0.39	0.46	0.53	0.37	0.42	0.49	0.56	0.63	0.72	0.82	0.94
		PI	1.41	1.42	1.42	1.42	1.50	1.50	1.50	1.50	1.59	1.59	1.59	1.68	1.68	1.69	1.69	1.69
	14	TC	33772	33818	33856	33901	35814	35851	35887	35923	37643	37685	37727	39553	39597	39635	39677	39720
		S/T	0.33	0.37	0.44	0.50	0.35	0.40	0.46	0.53	0.37	0.42	0.49	0.56	0.64	0.73	0.83	0.94
		PI	1.61	1.61	1.61	1.62	1.71	1.71	1.71	1.71	1.81	1.81	1.81	1.92	1.92	1.92	1.92	1.92
	23	TC	33265	33310	33347	33392	35275	35312	35348	35384	37104	37146	37188	39014	39058	39096	39138	39181
		S/T	0.33	0.38	0.44	0.50	0.35	0.40	0.47	0.53	0.37	0.42	0.49	0.56	0.64	0.73	0.83	0.95
		PI	1.76	1.76	1.76	1.76	1.86	1.86	1.87	1.87	1.97	1.98	1.98	2.09	2.09	2.09	2.10	2.10
	32	TC	32183	32226	32262	32306	34125	34161	34198	34234	35953	35996	36038	37863	37908	37945	37988	38031
		S/T	0.33	0.38	0.44	0.50	0.35	0.40	0.47	0.53	0.37	0.42	0.50	0.56	0.64	0.73	0.84	0.95
		PI	1.88	1.88	1.88	1.88	1.99	1.99	1.99	2.00	2.11	2.11	2.11	2.23	2.23	2.24	2.24	2.24
	41	TC	31497	31539	31575	31617	33397	33433	33469	33506	35225	35267	35309	37135	37180	37217	37260	37303
		S/T	0.33	0.38	0.44	0.51	0.35	0.40	0.47	0.54	0.37	0.43	0.50	0.57	0.65	0.74	0.84	0.96
		PI	2.01	2.01	2.01	2.01	2.13	2.13	2.13	2.13	2.25	2.26	2.26	2.39	2.39	2.39	2.39	2.40
	50	TC	31150	31192	31227	31269	33028	33064	33101	33137	34856	34899	34941	36766	36811	36848	36891	36934
		S/T	0.33	0.38	0.45	0.51	0.35	0.40	0.47	0.54	0.38	0.43	0.50	0.57	0.65	0.74	0.85	0.96
		PI	2.12	2.12	2.12	2.12	2.24	2.25	2.25	2.25	2.38	2.38	2.38	2.52	2.52	2.52	2.53	2.53
	59	TC	31084	31125	31160	31202	32957	32994	33030	33066	34786	34828	34870	36696	36740	36778	36820	36863
		S/T	0.34	0.38	0.45	0.51	0.36	0.41	0.47	0.54	0.38	0.43	0.50	0.57	0.65	0.75	0.85	0.97
		PI	2.18	2.18	2.18	2.19	2.31	2.31	2.32	2.32	2.45	2.45	2.45	2.59	2.60	2.60	2.60	2.61
	68	TC	31017	31059	31094	31135	32887	32923	32959	32996	34715	34757	34799	36625	36669	36707	36750	36793
		S/T	0.34	0.38	0.45	0.51	0.36	0.41	0.48	0.54	0.38	0.43	0.51	0.58	0.66	0.75	0.85	0.97
		PI	2.24	2.25	2.25	2.25	2.38	2.38	2.38	2.39	2.52	2.52	2.53	2.67	2.67	2.67	2.68	2.68
	77	TC	30950	30992	31027	31069	32816	32852	32888	32925	34644	34686	34728	36554	36599	36636	36679	36722
		S/T	0.35	0.40	0.46	0.53	0.37	0.42	0.49	0.56	0.39	0.44	0.52	0.59	0.67	0.77	0.88	1.00
		PI	2.31	2.31	2.31	2.31	2.44	2.45	2.45	2.45	2.59	2.59	2.60	2.74	2.75	2.75	2.75	2.76
	86	TC	29294	29333	29366	29406	31056	31092	31128	31165	32884	32926	32968	34794	34839	34876	34919	34962
		S/T	0.35	0.40	0.47	0.53	0.37	0.42	0.50	0.57	0.39	0.45	0.53	0.60	0.68	0.78	0.89	1.00
		PI	2.69	2.69	2.69	2.70	2.85	2.85	2.85	2.86	3.02	3.02	3.03	3.20	3.20	3.20	3.21	3.21
	95	TC	28860	28899	28932	28971	30595	30631	30668	30704	32423	32465	32508	34333	34378	34415	34458	34501
		S/T	0.36	0.41	0.48	0.55	0.38	0.44	0.51	0.58	0.40	0.46	0.54	0.61	0.70	0.80	0.91	1.00
		PI	2.82	2.83	2.83	2.83	2.99	3.00	3.00	3.00	3.17	3.17	3.18	3.36	3.36	3.37	3.37	3.37
	104	TC	25442	25476	25505	25539	26962	26999	27035	27071	28791	28833	28875	30701	30745	30783	30825	30868
		S/T	0.38	0.43	0.50	0.57	0.40	0.46	0.53	0.61	0.42	0.48	0.57	0.65	0.74	0.84	0.96	1.00
		PI	2.39	2.39	2.39	2.39	2.53	2.53	2.54	2.54	2.68	2.68	2.69	2.87	2.87	2.87	2.88	2.88
	115	TC	22405	22435	22461	22491	23736	23772	23808	23845	25564	25606	25648	27474	27519	27556	27599	27642
		S/T	0.38	0.44	0.51	0.58	0.41	0.46	0.54	0.62	0.43	0.49	0.57	0.65	0.74	0.85	0.97	1.00
		PI	2.02	2.02	2.02	2.02	2.14	2.14	2.14	2.15	2.27	2.27	2.27	2.37	2.38	2.38	2.39	2.39
122	TC	18871	18897	18918	18943	19945	19999	20053	20107	22657	22700	22742	25490	25536	25582	25625	25673	
	S/T	0.40	0.45	0.53	0.60	0.42	0.48	0.56	0.64	0.44	0.51	0.59	0.68	0.77	0.88	1.00	1.00	
	PI	1.70	1.71	1.71	1.71	1.81	1.81	1.81	1.81	1.92	1.92	1.92	2.03	2.03	2.03	2.04	2.04	

PERFORMANCE NON-DUCTED 48K HH (Sheet 3 of 4)

AIRFLOW (CFM)	OUTDOOR DB °F	ID WB (°F) ID DB (°F)	60.8				64.4				66.2				71.6			
			73.4	77.0	80.6	84.2	73.4	77.0	80.6	84.2	73.4	77.0	80.6	84.2	73.4	77.0	80.6	84.2
			TC	S/T	PI	TC	S/T	PI	TC	S/T	PI	TC	S/T	PI	TC	S/T	PI	TC
High	-22	TC	46280	46342	46394	46456	49070	49124	49177	49231	51782	51844	51907	54615	54681	54736	54800	54864
		S/T	0.48	0.54	0.63	0.72	0.50	0.58	0.67	0.77	0.53	0.61	0.71	0.81	0.93	1.00	1.00	1.00
		PI	1.22	1.22	1.22	1.22	1.29	1.29	1.30	1.30	1.37	1.37	1.37	1.45	1.45	1.45	1.46	1.46
	-10	TC	47551	47615	47668	47733	50421	50475	50529	50583	53133	53195	53258	55966	56032	56088	56151	56215
		S/T	0.48	0.55	0.64	0.73	0.51	0.58	0.68	0.77	0.54	0.61	0.72	0.82	0.93	1.00	1.00	1.00
		PI	1.61	1.61	1.61	1.62	1.71	1.71	1.71	1.71	1.81	1.81	1.81	1.91	1.92	1.92	1.92	1.92
	0	TC	48611	48676	48731	48796	51547	51601	51655	51709	54259	54321	54384	57092	57158	57213	57277	57341
		S/T	0.48	0.55	0.64	0.73	0.51	0.58	0.68	0.78	0.54	0.62	0.72	0.82	0.94	1.00	1.00	1.00
		PI	1.93	1.94	1.94	1.94	2.05	2.05	2.06	2.06	2.17	2.18	2.18	2.30	2.30	2.31	2.31	2.31
	5	TC	49140	49207	49262	49328	52110	52164	52218	52271	54822	54884	54947	57655	57721	57776	57840	57904
		S/T	0.48	0.55	0.64	0.73	0.51	0.58	0.68	0.78	0.54	0.62	0.72	0.83	0.94	1.00	1.00	1.00
		PI	2.10	2.10	2.10	2.10	2.22	2.22	2.23	2.23	2.36	2.36	2.36	2.49	2.50	2.50	2.50	2.51
	14	TC	50094	50162	50218	50286	53123	53177	53231	53285	55835	55898	55960	58668	58734	58790	58853	58917
		S/T	0.49	0.55	0.65	0.74	0.51	0.59	0.69	0.78	0.55	0.62	0.73	0.83	0.95	1.00	1.00	1.00
		PI	2.39	2.39	2.39	2.40	2.53	2.54	2.54	2.54	2.68	2.69	2.69	2.84	2.85	2.85	2.85	2.86
	23	TC	49342	49408	49464	49530	52324	52377	52431	52485	55036	55098	55161	57869	57935	57990	58054	58117
		S/T	0.49	0.56	0.65	0.74	0.52	0.59	0.69	0.79	0.55	0.63	0.73	0.83	0.95	1.00	1.00	1.00
		PI	2.60	2.61	2.61	2.61	2.76	2.76	2.77	2.77	2.93	2.93	2.93	3.10	3.10	3.11	3.11	3.11
	32	TC	47736	47800	47854	47919	50618	50671	50725	50779	53330	53392	53455	56163	56229	56284	56348	56411
		S/T	0.49	0.56	0.65	0.75	0.52	0.59	0.69	0.79	0.55	0.63	0.74	0.84	0.96	1.00	1.00	1.00
		PI	2.78	2.79	2.79	2.79	2.95	2.95	2.96	2.96	3.13	3.13	3.13	3.31	3.31	3.32	3.32	3.33
	41	TC	46719	46782	46835	46898	49537	49591	49645	49699	52249	52312	52374	55082	55148	55204	55267	55331
		S/T	0.49	0.56	0.66	0.75	0.52	0.60	0.70	0.79	0.55	0.63	0.74	0.84	0.96	1.00	1.00	1.00
		PI	2.97	2.98	2.98	2.99	3.15	3.16	3.16	3.16	3.34	3.35	3.35	3.54	3.54	3.55	3.55	3.56
	50	TC	46205	46267	46319	46381	48990	49044	49098	49152	51702	51765	51827	54535	54602	54667	54731	54794
		S/T	0.50	0.57	0.66	0.75	0.53	0.60	0.70	0.80	0.56	0.63	0.74	0.85	0.96	1.00	1.00	1.00
		PI	3.14	3.14	3.15	3.15	3.33	3.33	3.34	3.34	3.53	3.53	3.54	3.73	3.74	3.74	3.75	3.75
	59	TC	46106	46168	46220	46282	48886	48939	48993	49047	51597	51660	51722	54430	54497	54552	54616	54679
		S/T	0.50	0.57	0.66	0.76	0.53	0.60	0.70	0.80	0.56	0.64	0.75	0.85	0.97	1.00	1.00	1.00
		PI	3.23	3.24	3.24	3.24	3.43	3.43	3.43	3.44	3.63	3.64	3.64	3.85	3.85	3.85	3.86	3.86
	68	TC	46007	46069	46121	46183	48781	48834	48888	48942	51492	51555	51617	54325	54392	54447	54511	54574
		S/T	0.50	0.57	0.67	0.76	0.53	0.60	0.71	0.81	0.56	0.64	0.75	0.86	0.97	1.00	1.00	1.00
		PI	3.33	3.33	3.33	3.34	3.53	3.53	3.53	3.54	3.74	3.74	3.75	3.96	3.96	3.97	3.97	3.98
	77	TC	45909	45970	46022	46084	48676	48729	48783	48837	51387	51450	51513	54220	54287	54342	54406	54469
		S/T	0.51	0.59	0.69	0.78	0.54	0.62	0.73	0.83	0.58	0.66	0.77	0.88	1.00	1.00	1.00	1.00
		PI	3.42	3.42	3.43	3.43	3.63	3.63	3.63	3.64	3.84	3.85	3.85	4.07	4.07	4.08	4.08	4.09
	86	TC	43452	43510	43559	43617	46065	46118	46172	46226	48777	48839	48902	51610	51676	51731	51795	51858
		S/T	0.52	0.59	0.69	0.79	0.55	0.63	0.74	0.84	0.59	0.67	0.78	0.89	1.00	1.00	1.00	1.00
		PI	3.98	3.99	3.99	4.00	4.22	4.23	4.23	4.24	4.48	4.48	4.49	4.74	4.75	4.75	4.76	4.76
	95	TC	42809	42866	42914	42972	45381	45435	45489	45543	48093	48156	48218	50926	50993	51048	51111	51175
		S/T	0.53	0.61	0.71	0.81	0.57	0.65	0.75	0.86	0.60	0.68	0.80	0.91	0.96	0.96	0.97	0.97
		PI	4.19	4.19	4.20	4.20	4.44	4.44	4.45	4.45	4.70	4.71	4.72	4.98	4.99	4.99	5.00	5.00
	104	TC	37738	37789	37831	37882	39993	40047	40101	40155	42705	42768	42830	45538	45604	45660	45723	45787
		S/T	0.56	0.64	0.75	0.85	0.59	0.68	0.79	0.90	0.63	0.72	0.84	0.96	1.00	1.00	1.00	1.00
		PI	3.54	3.54	3.55	3.55	3.75	3.76	3.76	3.76	3.98	3.98	3.99	4.25	4.26	4.26	4.27	4.28
	115	TC	33234	33278	33316	33361	35207	35261	35315	35369	37919	37981	38044	40752	40818	40874	40937	41001
		S/T	0.57	0.65	0.76	0.86	0.60	0.69	0.80	0.91	0.64	0.73	0.85	0.97	1.00	1.00	1.00	1.00
		PI	2.99	3.00	3.00	3.00	3.17	3.18	3.18	3.18	3.36	3.37	3.37	3.52	3.53	3.53	3.54	3.55
122	TC	29233	29272	29305	29345	30956	31010	31063	31117	33668	33730	33793	36501	36567	36622	36686	36750	
	S/T	0.59	0.67	0.78	0.89	0.62	0.71	0.83	0.95	0.66	0.75	0.88	1.00	1.00	1.00	1.00	1.00	
	PI	2.53	2.53	2.54	2.54	2.68	2.68	2.69	2.69	2.84	2.84	2.85	3.01	3.01	3.02	3.02	3.02	

PERFORMANCE NON-DUCTED 48K HH (Sheet 4 of 4)

AIRFLOW (CFM)	OUTDOOR DB °F	ID WB (°F) ID DB (°F)	60.8				64.4				66.2				71.6			
			73.4	77.0	80.6	84.2	73.4	77.0	80.6	84.2	73.4	77.0	80.6	84.2	73.4	77.0	80.6	84.2
Turbo	-22	TC	49904	49971	50028	50095	52904	52966	53029	53092	56065	56138	56211	59368	59445	59510	59584	59658
		S/T	0.52	0.59	0.69	0.78	0.55	0.62	0.73	0.83	0.58	0.66	0.77	0.88	1.00	1.00	1.00	1.00
		PI	1.32	1.32	1.32	1.33	1.40	1.40	1.40	1.41	1.48	1.49	1.49	1.57	1.57	1.58	1.58	1.58
	-10	TC	51203	51272	51330	51399	54281	54345	54410	54474	57524	57599	57674	60913	60992	61059	61135	61211
		S/T	0.52	0.59	0.69	0.79	0.55	0.63	0.73	0.84	0.58	0.66	0.78	0.89	1.00	1.00	1.00	1.00
		PI	1.74	1.75	1.75	1.75	1.85	1.85	1.85	1.85	1.96	1.96	1.96	2.07	2.08	2.08	2.08	2.08
	0	TC	52286	52356	52415	52486	55428	55494	55560	55626	58741	58817	58893	62201	62282	62349	62427	62505
		S/T	0.52	0.60	0.70	0.79	0.55	0.63	0.74	0.84	0.59	0.67	0.78	0.89	1.00	1.00	1.00	1.00
		PI	2.09	2.10	2.10	2.10	2.22	2.22	2.23	2.23	2.35	2.36	2.36	2.49	2.49	2.50	2.50	2.50
	5	TC	52827	52898	52958	53029	56002	56069	56135	56202	59349	59426	59503	62845	62926	62995	63073	63152
		S/T	0.52	0.60	0.70	0.80	0.55	0.63	0.74	0.84	0.59	0.67	0.78	0.89	1.00	1.00	1.00	1.00
		PI	2.27	2.27	2.28	2.28	2.41	2.41	2.41	2.42	2.55	2.55	2.56	2.70	2.70	2.71	2.71	2.71
	14	TC	53801	53874	53934	54007	57035	57103	57170	57238	60443	60522	60600	64004	64087	64157	64237	64317
		S/T	0.53	0.60	0.70	0.80	0.56	0.64	0.74	0.85	0.59	0.67	0.79	0.90	1.00	1.00	1.00	1.00
		PI	2.59	2.59	2.59	2.60	2.74	2.75	2.75	2.75	2.91	2.91	2.91	3.08	3.08	3.08	3.09	3.09
	23	TC	53033	53104	53164	53235	56220	56287	56353	56420	59580	59657	59735	63089	63171	63240	63319	63398
		S/T	0.53	0.60	0.70	0.80	0.56	0.64	0.75	0.85	0.59	0.68	0.79	0.90	1.00	1.00	1.00	1.00
		PI	2.82	2.82	2.83	2.83	2.99	2.99	3.00	3.00	3.17	3.17	3.18	3.35	3.36	3.36	3.37	3.37
	32	TC	51393	51462	51519	51589	54481	54546	54611	54675	57737	57812	57887	61138	61218	61284	61360	61437
		S/T	0.53	0.61	0.71	0.81	0.56	0.64	0.75	0.86	0.60	0.68	0.80	0.91	1.00	1.00	1.00	1.00
		PI	3.01	3.02	3.02	3.02	3.19	3.20	3.20	3.20	3.38	3.39	3.39	3.58	3.59	3.59	3.60	3.60
	41	TC	50354	50421	50478	50546	53380	53443	53507	53570	56570	56643	56717	59902	59980	60045	60120	60195
		S/T	0.53	0.61	0.71	0.81	0.57	0.65	0.75	0.86	0.60	0.68	0.80	0.91	1.00	1.00	1.00	1.00
		PI	3.22	3.23	3.23	3.23	3.41	3.42	3.42	3.43	3.62	3.62	3.63	3.83	3.84	3.84	3.85	3.85
	50	TC	49828	49895	49951	50018	52823	52885	52948	53011	55979	56052	56125	59277	59354	59419	59492	59567
		S/T	0.54	0.61	0.72	0.82	0.57	0.65	0.76	0.86	0.60	0.69	0.80	0.92	1.00	1.00	1.00	1.00
		PI	3.40	3.40	3.41	3.41	3.60	3.61	3.61	3.62	3.82	3.82	3.83	4.04	4.05	4.05	4.06	4.06
	59	TC	49727	49794	49850	49917	52716	52778	52841	52904	55866	55939	56011	59157	59234	59298	59372	59446
		S/T	0.54	0.61	0.72	0.82	0.57	0.65	0.76	0.87	0.61	0.69	0.81	0.92	1.00	1.00	1.00	1.00
		PI	3.50	3.51	3.51	3.51	3.71	3.72	3.72	3.72	3.93	3.94	3.94	4.16	4.17	4.17	4.18	4.18
	68	TC	49626	49693	49749	49816	52609	52671	52734	52796	55753	55825	55898	59037	59114	59178	59252	59325
		S/T	0.54	0.62	0.72	0.82	0.57	0.66	0.77	0.87	0.61	0.69	0.81	0.93	1.00	1.00	1.00	1.00
		PI	3.60	3.61	3.61	3.62	3.82	3.82	3.83	3.83	4.05	4.05	4.06	4.29	4.29	4.30	4.30	4.31
	77	TC	49525	49592	49648	49714	52502	52564	52626	52689	55639	55712	55784	58917	58993	59058	59131	59205
		S/T	0.56	0.63	0.74	0.85	0.59	0.67	0.79	0.90	0.63	0.71	0.83	0.95	1.00	1.00	1.00	1.00
		PI	3.70	3.71	3.71	3.72	3.93	3.93	3.94	3.94	4.16	4.17	4.17	4.41	4.41	4.42	4.42	4.43
	86	TC	47015	47078	47131	47195	49841	49900	49959	50018	52819	52888	52957	55931	56003	56064	56134	56204
		S/T	0.56	0.64	0.75	0.86	0.60	0.68	0.80	0.91	0.63	0.72	0.84	0.96	1.00	1.00	1.00	1.00
		PI	4.31	4.32	4.33	4.33	4.57	4.58	4.58	4.59	4.85	4.85	4.86	5.13	5.14	5.14	5.15	5.16
	95	TC	46358	46421	46473	46535	49145	49203	49261	49319	52081	52149	52217	55149	55221	55281	55350	55419
		S/T	0.58	0.66	0.77	0.88	0.61	0.70	0.82	0.93	0.65	0.74	0.87	0.99	1.00	1.00	1.00	1.00
		PI	4.53	4.54	4.54	4.55	4.81	4.81	4.82	4.82	5.09	5.10	5.11	5.39	5.40	5.41	5.41	5.42
	104	TC	41178	41233	41280	41335	43653	43704	43756	43808	46261	46321	46382	48986	49050	49103	49165	49226
		S/T	0.61	0.69	0.81	0.92	0.64	0.73	0.86	0.98	0.68	0.75	0.91	1.00	1.00	1.00	1.00	1.00
		PI	3.83	3.84	3.84	3.85	4.06	4.07	4.07	4.08	4.31	4.31	4.32	4.56	4.57	4.57	4.58	4.58
	115	TC	36576	36626	36667	36716	38775	38821	38867	38913	41092	41145	41199	43512	43569	43616	43671	43725
		S/T	0.61	0.70	0.82	0.93	0.65	0.74	0.87	0.99	0.69	0.75	0.92	1.00	1.00	1.00	1.00	1.00
		PI	3.24	3.24	3.25	3.25	3.43	3.44	3.44	3.45	3.64	3.64	3.65	3.85	3.86	3.86	3.87	3.87
122	TC	32489	32533	32569	32613	34442	34483	34523	34564	36500	36547	36595	38650	38700	38742	38791	38839	
	S/T	0.64	0.73	0.85	0.97	0.67	0.75	0.90	1.00	0.71	0.75	0.95	1.00	1.00	1.00	1.00	1.00	
	PI	2.74	2.74	2.75	2.75	2.90	2.91	2.91	2.91	3.08	3.08	3.08	3.26	3.26	3.27	3.27	3.27	

NOTE: Data highlighted in gray is extrapolated data and not actual test data. At 77°F outdoor conditions sweat protection activates causing a decrease in total capacity.

LEGEND

- TC - Total Net Capacity (Btu/hour)
- S/T: Sensible Cooling Capacity Ratio
- PI: Power Input (kW)
- Extrapolated Data

HEATING PERFORMANCE NON-DUCTED

HEATING PERFORMANCE 18K

AIRFLOW (CFM)	OUTDOOR DB (°F)	TC:TOTAL CAPACITY IN BTU/HR				PI:TOTAL POWER IN KILOWATTS			
		INDOOR CONDITIONS (DB °F)				INDOOR CONDITIONS (DB °F)			
		60.8	68.0	71.6	75.2	60.8	68.00	71.6	75.2
Low	-22.0	3901	3980	4062	4103	1.47	1.47	1.48	1.49
	-10.0	4834	4933	5033	5084	1.59	1.60	1.60	1.61
	0.0	5612	5726	5843	5902	1.69	1.70	1.71	1.71
	5.0	6001	6123	6248	6311	1.74	1.75	1.76	1.77
	14.0	6700	6837	6977	7047	1.83	1.84	1.85	1.86
	17.0	6934	7075	7220	7293	1.86	1.87	1.88	1.89
	22.0	7431	7583	7738	7816	1.84	1.85	1.86	1.86
	27.0	7929	8090	8255	8339	1.81	1.82	1.83	1.84
	32.0	8426	8598	8773	8862	1.79	1.80	1.81	1.81
	37.0	8923	9105	9291	9385	1.76	1.77	1.78	1.79
	42.0	9715	9913	10116	10218	1.86	1.87	1.88	1.89
	44.6	10032	10236	10445	10551	1.90	1.90	1.91	1.92
	52.0	11298	11529	11764	11883	2.05	2.06	2.07	2.08
	57.0	12090	12337	12589	12716	2.14	2.15	2.16	2.17
	62.0	12882	13145	13413	13548	2.23	2.25	2.26	2.27
64.4	13198	13468	13743	13881	2.27	2.28	2.30	2.31	
Med	-22.0	5676	5792	5910	5970	1.48	1.49	1.50	1.50
	-10.0	7034	7178	7324	7398	1.60	1.61	1.62	1.63
	0.0	8166	8333	8503	8589	1.71	1.71	1.72	1.73
	5.0	8732	8910	9092	9184	1.76	1.77	1.78	1.78
	14.0	9750	9949	10152	10255	1.85	1.86	1.87	1.88
	17.0	10090	10296	10506	10612	1.88	1.89	1.90	1.91
	22.0	10814	11034	11259	11373	1.86	1.87	1.87	1.88
	27.0	11537	11773	12013	12134	1.83	1.84	1.85	1.86
	32.0	12261	12511	12767	12896	1.81	1.82	1.82	1.83
	37.0	12985	13250	13520	13657	1.78	1.79	1.80	1.81
	42.0	14137	14425	14720	14869	1.88	1.89	1.90	1.90
	44.6	14598	14896	15200	15353	1.91	1.92	1.93	1.94
	52.0	16441	16777	17119	17292	2.07	2.08	2.09	2.10
	57.0	17593	17952	18319	18504	2.16	2.17	2.18	2.19
	62.0	18745	19128	19518	19715	2.26	2.27	2.28	2.29
64.4	19206	19598	19998	20200	2.30	2.31	2.32	2.33	
High	-22.0	8260	8428	8601	8687	1.50	1.50	1.51	1.52
	-10.0	10236	10445	10658	10766	1.62	1.63	1.64	1.64
	0.0	11883	12125	12373	12498	1.72	1.73	1.74	1.75
	5.0	12706	12966	13230	13364	1.78	1.78	1.79	1.80
	14.0	14188	14478	14773	14923	1.87	1.88	1.89	1.90
	17.0	14682	14982	15288	15442	1.90	1.91	1.92	1.93
	22.0	15736	16057	16384	16550	1.87	1.88	1.89	1.90
	27.0	16789	17131	17481	17658	1.85	1.86	1.87	1.88
	32.0	17842	18206	18578	18765	1.82	1.83	1.84	1.85
	37.0	18895	19281	19674	19873	1.80	1.81	1.82	1.83
	42.0	20572	20992	21420	21636	1.90	1.90	1.91	1.92
	44.6	21242	21676	22118	22342	1.93	1.94	1.95	1.96
	52.0	23925	24413	24911	25163	2.09	2.10	2.11	2.12
	57.0	25601	26124	26657	26926	2.18	2.19	2.21	2.22
	62.0	27278	27834	28402	28689	2.28	2.29	2.30	2.31
64.4	27948	28518	29100	29394	2.32	2.33	2.34	2.35	
Turbo	-22.0	8771	8950	9133	9225	1.51	1.52	1.53	1.53
	-10.0	10870	11091	11318	11432	1.64	1.64	1.65	1.66
	0.0	12618	12876	13139	13271	1.74	1.75	1.76	1.77
	5.0	13493	13768	14049	14191	1.79	1.80	1.81	1.82
	14.0	15067	15374	15688	15846	1.89	1.90	1.91	1.92
	17.0	15591	15909	16234	16398	1.92	1.93	1.94	1.95
	22.0	16710	17051	17399	17574	1.89	1.90	1.91	1.92
	27.0	17828	18192	18563	18751	1.87	1.88	1.89	1.90
	32.0	18946	19333	19728	19927	1.84	1.85	1.86	1.87
	37.0	20065	20474	20892	21103	1.82	1.83	1.84	1.84
	42.0	21845	22291	22746	22975	1.91	1.92	1.93	1.94
	44.6	22557	23017	23487	23724	1.95	1.96	1.97	1.98
	52.0	25405	25924	26453	26720	2.11	2.12	2.13	2.14
	57.0	27186	27740	28307	28592	2.21	2.22	2.23	2.24
	62.0	28966	29557	30160	30465	2.30	2.31	2.33	2.34
64.4	29678	30284	30902	31214	2.34	2.35	2.37	2.38	

HEATING PERFORMANCE NON-DUCTED

HEATING PERFORMANCE 24K

AIRFLOW (CFM)	OUTDOOR DB (°F)	TC: TOTAL CAPACITY IN BTU/HR				PI: TOTAL POWER IN KILOWATTS			
		INDOOR CONDITIONS (DB °F)				INDOOR CONDITIONS (DB °F)			
		60.8	68.0	71.6	75.2	60.8	68.00	71.6	75.2
Low	-22.0	6014	6137	6262	6326	2.22	2.23	2.24	2.25
	-10.0	7195	7342	7492	7568	2.38	2.40	2.41	2.42
	0.0	8179	8346	8517	8603	2.52	2.53	2.55	2.56
	5.0	8671	8848	9029	9120	2.59	2.60	2.62	2.63
	14.0	9557	9752	9951	10052	2.72	2.73	2.74	2.76
	17.0	9852	10053	10259	10362	2.76	2.77	2.79	2.80
	22.0	10626	10843	11064	11176	2.74	2.75	2.77	2.78
	27.0	11399	11632	11869	11989	2.72	2.73	2.75	2.76
	32.0	12173	12421	12675	12803	2.70	2.71	2.73	2.74
	37.0	12946	13211	13480	13616	2.68	2.69	2.71	2.72
	42.0	13857	14140	14429	14575	2.72	2.74	2.75	2.76
	44.6	14222	14512	14808	14958	2.74	2.75	2.77	2.78
	52.0	15679	15999	16326	16491	2.81	2.83	2.84	2.85
	57.0	16591	16929	17275	17449	2.85	2.87	2.88	2.90
62.0	17502	17859	18223	18407	2.90	2.91	2.93	2.94	
64.4	17866	18231	18603	18791	2.92	2.93	2.95	2.96	
Med	-22.0	8759	8938	9120	9212	2.24	2.25	2.26	2.27
	-10.0	10479	10692	10911	11021	2.41	2.42	2.43	2.44
	0.0	11912	12155	12403	12528	2.55	2.56	2.57	2.59
	5.0	12628	12886	13149	13282	2.62	2.63	2.64	2.66
	14.0	13918	14202	14492	14638	2.74	2.76	2.77	2.78
	17.0	14348	14641	14940	15091	2.79	2.80	2.81	2.83
	22.0	15474	15790	16113	16275	2.77	2.78	2.79	2.81
	27.0	16601	16940	17285	17460	2.75	2.76	2.77	2.79
	32.0	17727	18089	18458	18645	2.73	2.74	2.75	2.77
	37.0	18854	19239	19631	19830	2.71	2.72	2.73	2.75
	42.0	20181	20593	21013	21225	2.75	2.77	2.78	2.79
	44.6	20711	21134	21565	21783	2.77	2.78	2.80	2.81
	52.0	22834	23300	23776	24016	2.84	2.85	2.87	2.88
	57.0	24161	24654	25157	25411	2.88	2.90	2.91	2.93
62.0	25488	26008	26539	26807	2.93	2.94	2.96	2.97	
64.4	26018	26549	27091	27365	2.95	2.96	2.98	2.99	
High	-22.0	12756	13016	13282	13416	2.26	2.27	2.28	2.30
	-10.0	15260	15572	15889	16050	2.43	2.44	2.46	2.47
	0.0	17347	17701	18062	18245	2.57	2.59	2.60	2.61
	5.0	18391	18766	19149	19342	2.64	2.66	2.67	2.68
	14.0	20269	20683	21105	21318	2.77	2.78	2.80	2.81
	17.0	20895	21322	21757	21976	2.81	2.83	2.84	2.86
	22.0	22536	22996	23465	23702	2.79	2.81	2.82	2.84
	27.0	24176	24670	25173	25427	2.77	2.79	2.80	2.82
	32.0	25817	26343	26881	27153	2.75	2.77	2.78	2.80
	37.0	27457	28017	28589	28878	2.73	2.75	2.76	2.78
	42.0	29389	29989	30601	30910	2.78	2.79	2.81	2.82
	44.6	30162	30778	31406	31723	2.80	2.81	2.83	2.84
	52.0	33254	33932	34625	34975	2.87	2.88	2.90	2.91
	57.0	35186	35904	36637	37007	2.91	2.93	2.94	2.96
62.0	37118	37876	38649	39039	2.96	2.97	2.99	3.00	
64.4	37891	38664	39453	39852	2.98	2.99	3.01	3.02	
Turbo	-22.0	13545	13822	14104	14246	2.28	2.30	2.31	2.32
	-10.0	16205	16535	16873	17043	2.46	2.47	2.48	2.49
	0.0	18421	18797	19180	19374	2.60	2.61	2.62	2.64
	5.0	19529	19927	20334	20540	2.67	2.68	2.70	2.71
	14.0	21524	21963	22411	22637	2.80	2.81	2.83	2.84
	17.0	22188	22641	23103	23337	2.84	2.86	2.87	2.88
	22.0	23930	24419	24917	25169	2.82	2.84	2.85	2.86
	27.0	25672	26196	26731	27001	2.80	2.82	2.83	2.84
	32.0	27415	27974	28545	28833	2.78	2.80	2.81	2.82
	37.0	29157	29752	30359	30665	2.76	2.78	2.79	2.80
	42.0	31208	31845	32495	32823	2.81	2.82	2.84	2.85
	44.6	32029	32683	33350	33687	2.82	2.84	2.85	2.87
	52.0	35312	36033	36768	37139	2.90	2.91	2.93	2.94
	57.0	37364	38126	38904	39297	2.94	2.96	2.97	2.99
62.0	39415	40220	41041	41455	2.99	3.00	3.02	3.03	
64.4	40236	41057	41895	42318	3.00	3.02	3.04	3.05	

HEATING PERFORMANCE NON-DUCTED

HEATING PERFORMANCE 30K

AIRFLOW (CFM)	OUTDOOR DB (°F)	TC:TOTAL CAPACITY IN BTU/HR				PI:TOTAL POWER IN KILOWATTS			
		INDOOR CONDITIONS (DB °F)				INDOOR CONDITIONS (DB °F)			
		60.8	68.0	71.6	75.2	60.8	68.00	71.6	75.2
Low	-22.0	8606	8782	8961	9051	4.69	4.71	4.74	4.76
	-10.0	9553	9748	9947	10048	4.31	4.33	4.35	4.37
	0.0	10343	10554	10769	10878	3.99	4.01	4.03	4.05
	5.0	10738	10957	11181	11293	3.83	3.85	3.87	3.89
	14.0	11448	11682	11920	12041	3.55	3.57	3.58	3.60
	17.0	11685	11924	12167	12290	3.45	3.47	3.49	3.51
	22.0	12744	13004	13270	13404	3.47	3.49	3.51	3.52
	27.0	13804	14085	14373	14518	3.49	3.51	3.53	3.54
	32.0	14863	15166	15476	15632	3.51	3.53	3.54	3.56
	37.0	15922	16247	16578	16746	3.53	3.54	3.56	3.58
	42.0	16668	17008	17355	17530	3.54	3.56	3.57	3.59
	44.6	16966	17312	17666	17844	3.54	3.56	3.58	3.60
	52.0	18159	18530	18908	19099	3.56	3.58	3.60	3.61
	57.0	18905	19291	19685	19884	3.57	3.59	3.61	3.63
	62.0	19651	20052	20461	20668	3.58	3.60	3.62	3.64
64.4	19950	20357	20772	20982	3.59	3.60	3.62	3.64	
Med	-22.0	12523	12779	13040	13171	4.74	4.76	4.78	4.81
	-10.0	13902	14186	14475	14621	4.35	4.37	4.40	4.42
	0.0	15051	15358	15671	15830	4.03	4.05	4.07	4.09
	5.0	15625	15944	16270	16434	3.87	3.89	3.91	3.93
	14.0	16659	16999	17346	17521	3.58	3.60	3.62	3.64
	17.0	17004	17351	17705	17884	3.49	3.51	3.52	3.54
	22.0	18545	18924	19310	19505	3.51	3.52	3.54	3.56
	27.0	20087	20497	20915	21126	3.53	3.54	3.56	3.58
	32.0	21628	22069	22520	22747	3.54	3.56	3.58	3.60
	37.0	23169	23642	24124	24368	3.56	3.58	3.60	3.62
	42.0	24254	24749	25255	25510	3.57	3.59	3.61	3.63
	44.6	24689	25192	25707	25966	3.58	3.60	3.61	3.63
	52.0	26425	26964	27515	27793	3.60	3.61	3.63	3.65
	57.0	27511	28072	28645	28934	3.61	3.63	3.64	3.66
	62.0	28596	29179	29775	30076	3.62	3.64	3.66	3.67
64.4	29030	29622	30227	30532	3.62	3.64	3.66	3.68	
High	-22.0	18223	18595	18975	19167	4.78	4.81	4.83	4.86
	-10.0	20230	20643	21064	21277	4.40	4.42	4.44	4.46
	0.0	21902	22349	22805	23035	4.07	4.09	4.11	4.13
	5.0	22738	23202	23675	23914	3.91	3.93	3.95	3.97
	14.0	24242	24737	25242	25497	3.62	3.64	3.66	3.67
	17.0	24744	25249	25764	26024	3.52	3.54	3.56	3.58
	22.0	26987	27537	28099	28383	3.54	3.56	3.58	3.60
	27.0	29229	29826	30435	30742	3.56	3.58	3.60	3.61
	32.0	31472	32115	32770	33101	3.58	3.60	3.62	3.63
	37.0	33715	34403	35105	35460	3.60	3.62	3.63	3.65
	42.0	35295	36015	36750	37121	3.61	3.63	3.65	3.66
	44.6	35926	36659	37408	37785	3.61	3.63	3.65	3.67
	52.0	38453	39238	40039	40443	3.63	3.65	3.67	3.69
	57.0	40033	40850	41683	42104	3.64	3.66	3.68	3.70
	62.0	41612	42461	43328	43765	3.66	3.67	3.69	3.71
64.4	42244	43106	43986	44430	3.66	3.68	3.70	3.72	
Turbo	-22.0	19351	19746	20149	20353	4.83	4.86	4.88	4.91
	-10.0	21482	21920	22368	22594	4.44	4.46	4.48	4.51
	0.0	23257	23732	24216	24461	4.11	4.13	4.15	4.18
	5.0	24145	24638	25140	25394	3.95	3.97	3.99	4.01
	14.0	25743	26268	26804	27075	3.66	3.67	3.69	3.71
	17.0	26275	26812	27359	27635	3.56	3.58	3.59	3.61
	22.0	28657	29242	29839	30140	3.58	3.60	3.61	3.63
	27.0	31039	31672	32318	32645	3.60	3.61	3.63	3.65
	32.0	33420	34102	34798	35150	3.62	3.63	3.65	3.67
	37.0	35802	36533	37278	37655	3.63	3.65	3.67	3.69
	42.0	37479	38244	39024	39419	3.65	3.66	3.68	3.70
	44.6	38150	38928	39723	40124	3.65	3.67	3.69	3.71
	52.0	40833	41667	42517	42946	3.67	3.69	3.71	3.72
	57.0	42510	43378	44263	44710	3.68	3.70	3.72	3.74
	62.0	44187	45089	46009	46474	3.69	3.71	3.73	3.75
64.4	44858	45774	46708	47180	3.70	3.71	3.73	3.75	

HEATING PERFORMANCE NON-DUCTED

HEATING PERFORMANCE 36K

AIRFLOW (CFM)	OUTDOOR DB (°F)	TC:TOTAL CAPACITY IN BTU/HR				PI:TOTAL POWER IN KILOWATTS			
		INDOOR CONDITIONS (DB °F)				INDOOR CONDITIONS (DB °F)			
		60.8	68.0	71.6	75.2	60.8	68.00	71.6	75.2
Low	-22.0	8606	8782	8961	9051	4.69	4.71	4.74	4.76
	-10.0	9553	9748	9947	10048	4.31	4.33	4.35	4.37
	0.0	10343	10554	10769	10878	3.99	4.01	4.03	4.05
	5.0	10738	10957	11181	11293	3.83	3.85	3.87	3.89
	14.0	11448	11682	11920	12041	3.55	3.57	3.58	3.60
	17.0	11685	11924	12167	12290	3.45	3.47	3.49	3.51
	22.0	12744	13004	13270	13404	3.47	3.49	3.51	3.52
	27.0	13804	14085	14373	14518	3.49	3.51	3.53	3.54
	32.0	14863	15166	15476	15632	3.51	3.53	3.54	3.56
	37.0	15922	16247	16578	16746	3.53	3.54	3.56	3.58
	42.0	16668	17008	17355	17530	3.54	3.56	3.57	3.59
	44.6	16966	17312	17666	17844	3.54	3.56	3.58	3.60
	52.0	18159	18530	18908	19099	3.56	3.58	3.60	3.61
	57.0	18905	19291	19685	19884	3.57	3.59	3.61	3.63
62.0	19651	20052	20461	20668	3.58	3.60	3.62	3.64	
64.4	19950	20357	20772	20982	3.59	3.60	3.62	3.64	
Med	-22.0	12523	12779	13040	13171	4.74	4.76	4.78	4.81
	-10.0	13902	14186	14475	14621	4.35	4.37	4.40	4.42
	0.0	15051	15358	15671	15830	4.03	4.05	4.07	4.09
	5.0	15625	15944	16270	16434	3.87	3.89	3.91	3.93
	14.0	16659	16999	17346	17521	3.58	3.60	3.62	3.64
	17.0	17004	17351	17705	17884	3.49	3.51	3.52	3.54
	22.0	18545	18924	19310	19505	3.51	3.52	3.54	3.56
	27.0	20087	20497	20915	21126	3.53	3.54	3.56	3.58
	32.0	21628	22069	22520	22747	3.54	3.56	3.58	3.60
	37.0	23169	23642	24124	24368	3.56	3.58	3.60	3.62
	42.0	24254	24749	25255	25510	3.57	3.59	3.61	3.63
	44.6	24689	25192	25707	25966	3.58	3.60	3.61	3.63
	52.0	26425	26964	27515	27793	3.60	3.61	3.63	3.65
	57.0	27511	28072	28645	28934	3.61	3.63	3.64	3.66
62.0	28596	29179	29775	30076	3.62	3.64	3.66	3.67	
64.4	29030	29622	30227	30532	3.62	3.64	3.66	3.68	
High	-22.0	18223	18595	18975	19167	4.78	4.81	4.83	4.86
	-10.0	20230	20643	21064	21277	4.40	4.42	4.44	4.46
	0.0	21902	22349	22805	23035	4.07	4.09	4.11	4.13
	5.0	22738	23202	23675	23914	3.91	3.93	3.95	3.97
	14.0	24242	24737	25242	25497	3.62	3.64	3.66	3.67
	17.0	24744	25249	25764	26024	3.52	3.54	3.56	3.58
	22.0	26987	27537	28099	28383	3.54	3.56	3.58	3.60
	27.0	29229	29826	30435	30742	3.56	3.58	3.60	3.61
	32.0	31472	32115	32770	33101	3.58	3.60	3.62	3.63
	37.0	33715	34403	35105	35460	3.60	3.62	3.63	3.65
	42.0	35295	36015	36750	37121	3.61	3.63	3.65	3.66
	44.6	35926	36659	37408	37785	3.61	3.63	3.65	3.67
	52.0	38453	39238	40039	40443	3.63	3.65	3.67	3.69
	57.0	40033	40850	41683	42104	3.64	3.66	3.68	3.70
62.0	41612	42461	43328	43765	3.66	3.67	3.69	3.71	
64.4	42244	43106	43986	44430	3.66	3.68	3.70	3.72	
Turbo	-22.0	19351	19746	20149	20353	4.83	4.86	4.88	4.91
	-10.0	21482	21920	22368	22594	4.44	4.46	4.48	4.51
	0.0	23257	23732	24216	24461	4.11	4.13	4.15	4.18
	5.0	24145	24638	25140	25394	3.95	3.97	3.99	4.01
	14.0	25743	26268	26804	27075	3.66	3.67	3.69	3.71
	17.0	26275	26812	27359	27635	3.56	3.58	3.59	3.61
	22.0	28657	29242	29839	30140	3.58	3.60	3.61	3.63
	27.0	31039	31672	32318	32645	3.60	3.61	3.63	3.65
	32.0	33420	34102	34798	35150	3.62	3.63	3.65	3.67
	37.0	35802	36533	37278	37655	3.63	3.65	3.67	3.69
	42.0	37479	38244	39024	39419	3.65	3.66	3.68	3.70
	44.6	38150	38928	39723	40124	3.65	3.67	3.69	3.71
	52.0	40833	41667	42517	42946	3.67	3.69	3.71	3.72
	57.0	42510	43378	44263	44710	3.68	3.70	3.72	3.74
62.0	44187	45089	46009	46474	3.69	3.71	3.73	3.75	
64.4	44858	45774	46708	47180	3.70	3.71	3.73	3.75	

HEATING PERFORMANCE NON-DUCTED

HEATING PERFORMANCE 36K HH

AIRFLOW (CFM)	OUTDOOR DB (°F)	TC:TOTAL CAPACITY IN BTU/HR				PI:TOTAL POWER IN KILOWATTS			
		INDOOR CONDITIONS (DB °F)				INDOOR CONDITIONS (DB °F)			
		60.8	68.0	71.6	75.2	60.8	68.00	71.6	75.2
Low	-22.0	12225	12474	12729	12858	2.99	3.00	3.02	3.03
	-10.0	13313	13585	13862	14002	3.59	3.60	3.62	3.64
	0.0	14220	14510	14806	14955	4.09	4.11	4.13	4.15
	5.0	14673	14972	15278	15432	4.34	4.36	4.38	4.40
	14.0	15489	15805	16127	16290	4.79	4.81	4.83	4.86
	17.0	15761	16082	16411	16576	4.94	4.96	4.99	5.01
	22.0	16666	17006	17353	17528	4.85	4.87	4.90	4.92
	27.0	17570	17929	18295	18480	4.77	4.79	4.81	4.84
	32.0	18475	18852	19237	19431	4.68	4.70	4.73	4.75
	37.0	19380	19775	20179	20383	4.59	4.62	4.64	4.66
	42.0	20733	21156	21588	21806	4.74	4.76	4.79	4.81
	44.6	21274	21708	22151	22375	4.80	4.82	4.85	4.87
	52.0	23438	23917	24405	24651	5.03	5.06	5.08	5.11
	57.0	24791	25297	25813	26074	5.18	5.20	5.23	5.26
	62.0	26144	26678	27222	27497	5.32	5.35	5.38	5.40
64.4	26685	27230	27785	28066	5.38	5.41	5.43	5.46	
Med	-22.0	17789	18152	18523	18710	3.02	3.03	3.05	3.06
	-10.0	19373	19768	20171	20375	3.62	3.64	3.66	3.68
	0.0	20692	21114	21545	21763	4.13	4.15	4.17	4.19
	5.0	21352	21787	22232	22457	4.38	4.40	4.42	4.45
	14.0	22539	22999	23468	23705	4.83	4.86	4.88	4.91
	17.0	22935	23403	23880	24122	4.99	5.01	5.04	5.06
	22.0	24251	24746	25251	25506	4.90	4.92	4.95	4.97
	27.0	25568	26090	26622	26891	4.81	4.84	4.86	4.89
	32.0	26885	27433	27993	28276	4.73	4.75	4.77	4.80
	37.0	28201	28777	29364	29661	4.64	4.66	4.69	4.71
	42.0	30170	30785	31414	31731	4.79	4.81	4.84	4.86
	44.6	30957	31589	32234	32559	4.85	4.87	4.90	4.92
	52.0	34107	34803	35513	35872	5.08	5.11	5.13	5.16
	57.0	36075	36812	37563	37942	5.23	5.26	5.28	5.31
	62.0	38044	38820	39613	40013	5.38	5.40	5.43	5.46
64.4	38831	39624	40433	40841	5.44	5.46	5.49	5.52	
High	-22.0	25887	26415	26954	27226	3.05	3.06	3.08	3.09
	-10.0	28190	28766	29353	29649	3.66	3.68	3.70	3.71
	0.0	30110	30725	31352	31668	4.17	4.19	4.21	4.23
	5.0	31070	31704	32351	32678	4.42	4.45	4.47	4.49
	14.0	32798	33467	34150	34495	4.88	4.91	4.93	4.96
	17.0	33374	34055	34750	35101	5.04	5.06	5.09	5.11
	22.0	35290	36010	36745	37116	4.95	4.97	5.00	5.02
	27.0	37206	37965	38740	39131	4.86	4.89	4.91	4.94
	32.0	39122	39920	40735	41146	4.77	4.80	4.82	4.85
	37.0	41038	41875	42730	43161	4.69	4.71	4.73	4.76
	42.0	43902	44798	45712	46174	4.84	4.86	4.88	4.91
	44.6	45048	45967	46906	47379	4.90	4.92	4.95	4.97
	52.0	49631	50644	51678	52200	5.13	5.16	5.19	5.21
	57.0	52496	53567	54661	55213	5.28	5.31	5.34	5.36
	62.0	55361	56490	57643	58226	5.43	5.46	5.49	5.51
64.4	56506	57660	58836	59431	5.49	5.52	5.55	5.57	
Turbo	-22.0	27489	28050	28622	28911	3.08	3.09	3.11	3.12
	-10.0	29935	30546	31170	31484	3.69	3.71	3.73	3.75
	0.0	31974	32626	33292	33629	4.21	4.23	4.25	4.27
	5.0	32993	33667	34354	34701	4.47	4.49	4.51	4.54
	14.0	34828	35539	36264	36630	4.93	4.96	4.98	5.01
	17.0	35440	36163	36901	37274	5.09	5.11	5.14	5.16
	22.0	37474	38239	39019	39413	5.00	5.02	5.05	5.07
	27.0	39509	40315	41138	41553	4.91	4.94	4.96	4.98
	32.0	41543	42391	43256	43693	4.82	4.85	4.87	4.90
	37.0	43578	44467	45374	45833	4.73	4.76	4.78	4.81
	42.0	46619	47571	48542	49032	4.88	4.91	4.93	4.96
	44.6	47836	48812	49809	50312	4.94	4.97	4.99	5.02
	52.0	52703	53779	54876	55431	5.18	5.21	5.24	5.26
	57.0	55745	56883	58044	58630	5.33	5.36	5.39	5.42
	62.0	58787	59987	61211	61829	5.48	5.51	5.54	5.57
64.4	60004	61228	62478	63109	5.54	5.57	5.60	5.63	

HEATING PERFORMANCE NON-DUCTED

HEATING PERFORMANCE 48K

AIRFLOW (CFM)	OUTDOOR DB (°F)	TC:TOTAL CAPACITY IN BTU/HR				PI:TOTAL POWER IN KILOWATTS			
		INDOOR CONDITIONS (DB °F)				INDOOR CONDITIONS (DB °F)			
		60.8	68.0	71.6	75.2	60.8	68.00	71.6	75.2
Low	-22.0	9651	9847	10048	10150	4.13	4.15	4.17	4.19
	-10.0	11511	11746	11985	12107	4.36	4.38	4.40	4.42
	0.0	13061	13328	13600	13737	4.55	4.57	4.59	4.61
	5.0	13836	14119	14407	14552	4.64	4.66	4.69	4.71
	14.0	15232	15542	15860	16020	4.81	4.83	4.86	4.88
	17.0	15697	16017	16344	16509	4.87	4.89	4.92	4.94
	22.0	16757	17099	17448	17624	4.76	4.78	4.81	4.83
	27.0	17817	18181	18552	18739	4.65	4.68	4.70	4.72
	32.0	18878	19263	19656	19855	4.55	4.57	4.59	4.61
	37.0	19938	20345	20760	20970	4.44	4.46	4.48	4.51
	42.0	21497	21936	22384	22610	4.58	4.60	4.62	4.65
	44.6	22121	22572	23033	23266	4.63	4.65	4.68	4.70
	52.0	24616	25118	25631	25890	4.85	4.88	4.90	4.93
	57.0	26175	26709	27254	27529	4.99	5.02	5.04	5.07
62.0	27734	28300	28878	29169	5.13	5.15	5.18	5.21	
64.4	28358	28937	29527	29825	5.18	5.21	5.24	5.26	
Med	-22.0	14037	14323	14615	14763	4.17	4.19	4.21	4.23
	-10.0	16742	17084	17433	17609	4.40	4.42	4.44	4.47
	0.0	18997	19385	19781	19980	4.59	4.61	4.64	4.66
	5.0	20125	20535	20955	21166	4.69	4.71	4.73	4.76
	14.0	22154	22606	23068	23301	4.86	4.88	4.91	4.93
	17.0	22831	23296	23772	24012	4.92	4.94	4.97	4.99
	22.0	24373	24870	25378	25634	4.81	4.83	4.86	4.88
	27.0	25915	26444	26984	27256	4.70	4.72	4.75	4.77
	32.0	27458	28018	28590	28878	4.59	4.61	4.64	4.66
	37.0	29000	29592	30196	30501	4.48	4.51	4.53	4.55
	42.0	31268	31906	32557	32886	4.62	4.65	4.67	4.69
	44.6	32175	32831	33501	33840	4.68	4.70	4.73	4.75
	52.0	35803	36534	37280	37656	4.90	4.93	4.95	4.98
	57.0	38071	38848	39641	40041	5.04	5.07	5.09	5.12
62.0	40339	41162	42002	42427	5.18	5.21	5.23	5.26	
64.4	41246	42088	42947	43381	5.24	5.26	5.29	5.32	
High	-22.0	20416	20833	21258	21473	4.21	4.23	4.25	4.28
	-10.0	24352	24849	25356	25612	4.44	4.47	4.49	4.51
	0.0	27631	28195	28771	29061	4.64	4.66	4.68	4.71
	5.0	29271	29869	30478	30786	4.73	4.76	4.78	4.81
	14.0	32223	32881	33552	33891	4.91	4.93	4.96	4.98
	17.0	33207	33885	34576	34925	4.97	4.99	5.02	5.04
	22.0	35450	36174	36912	37285	4.86	4.88	4.91	4.93
	27.0	37693	38463	39248	39644	4.75	4.77	4.79	4.82
	32.0	39937	40752	41583	42003	4.64	4.66	4.68	4.71
	37.0	42180	43041	43919	44363	4.53	4.55	4.57	4.60
	42.0	45479	46407	47354	47832	4.67	4.69	4.72	4.74
	44.6	46798	47753	48728	49220	4.73	4.75	4.77	4.80
	52.0	52076	53138	54223	54771	4.95	4.98	5.00	5.03
	57.0	55374	56504	57658	58240	5.09	5.12	5.14	5.17
62.0	58673	59870	61092	61709	5.23	5.26	5.29	5.31	
64.4	59992	61217	62466	63097	5.29	5.32	5.34	5.37	
Turbo	-22.0	21680	22122	22574	22802	4.25	4.28	4.30	4.32
	-10.0	25859	26387	26925	27197	4.49	4.51	4.53	4.56
	0.0	29342	29940	30551	30860	4.68	4.71	4.73	4.75
	5.0	31083	31717	32365	32692	4.78	4.81	4.83	4.85
	14.0	34217	34916	35628	35988	4.96	4.98	5.01	5.03
	17.0	35262	35982	36716	37087	5.02	5.04	5.07	5.09
	22.0	37644	38413	39196	39592	4.90	4.93	4.95	4.98
	27.0	40026	40843	41677	42098	4.79	4.82	4.84	4.87
	32.0	42409	43274	44157	44603	4.68	4.71	4.73	4.75
	37.0	44791	45705	46638	47109	4.57	4.60	4.62	4.64
	42.0	48293	49279	50285	50793	4.72	4.74	4.76	4.79
	44.6	49694	50709	51744	52266	4.77	4.80	4.82	4.84
	52.0	55299	56427	57579	58161	5.00	5.03	5.05	5.08
	57.0	58802	60002	61226	61845	5.14	5.17	5.19	5.22
62.0	62304	63576	64873	65529	5.29	5.31	5.34	5.37	
64.4	63705	65005	66332	67002	5.34	5.37	5.40	5.42	

HEATING PERFORMANCE NON-DUCTED (CONT)

HEATING PERFORMANCE 48K HH

AIRFLOW (CFM)	OUTDOOR DB (°F)	TC:TOTAL CAPACITY IN BTU/HR				PI:TOTAL POWER IN KILOWATTS			
		INDOOR CONDITIONS (DB °F)				INDOOR CONDITIONS (DB °F)			
		60.8	68.0	71.6	75.2	60.8	68.00	71.6	75.2
Low	-22.0	16427	16762	17105	17277	5.98	6.01	6.04	6.07
	-10.0	17817	18180	18551	18739	5.96	5.99	6.02	6.05
	0.0	18974	19362	19757	19956	5.95	5.98	6.01	6.04
	5.0	19553	19952	20359	20565	5.94	5.97	6.00	6.03
	14.0	20595	21015	21444	21661	5.93	5.96	5.99	6.02
	17.0	20942	21370	21806	22026	5.93	5.96	5.99	6.02
	22.0	21867	22313	22769	22999	5.86	5.89	5.91	5.94
	27.0	22792	23257	23732	23971	5.78	5.81	5.84	5.87
	32.0	23717	24201	24695	24944	5.71	5.74	5.77	5.80
	37.0	24641	25144	25657	25917	5.64	5.67	5.70	5.73
	42.0	25551	26072	26604	26873	5.57	5.59	5.62	5.65
	44.6	25914	26443	26983	27255	5.53	5.56	5.59	5.62
	52.0	27369	27928	28498	28785	5.41	5.44	5.47	5.49
	57.0	28278	28855	29444	29742	5.34	5.36	5.39	5.42
62.0	29187	29783	30391	30698	5.26	5.29	5.31	5.34	
64.4	29551	30154	30770	31080	5.23	5.26	5.28	5.31	
Med	-22.0	23893	24381	24878	25130	6.04	6.07	6.10	6.13
	-10.0	25914	26443	26982	27255	6.02	6.05	6.08	6.11
	0.0	27598	28161	28736	29026	6.01	6.04	6.07	6.10
	5.0	28440	29020	29613	29912	6.00	6.03	6.06	6.09
	14.0	29955	30567	31191	31506	5.99	6.02	6.05	6.08
	17.0	30461	31082	31717	32037	5.99	6.02	6.05	6.08
	22.0	31806	32455	33117	33452	5.91	5.94	5.97	6.00
	27.0	33151	33827	34518	34866	5.84	5.87	5.90	5.93
	32.0	34496	35200	35918	36281	5.77	5.80	5.83	5.86
	37.0	35841	36572	37319	37695	5.70	5.73	5.76	5.78
	42.0	37163	37922	38696	39086	5.62	5.65	5.68	5.71
	44.6	37692	38461	39246	39643	5.59	5.62	5.65	5.68
	52.0	39808	40620	41449	41868	5.47	5.49	5.52	5.55
	57.0	41131	41970	42826	43259	5.39	5.42	5.44	5.47
62.0	42453	43319	44203	44650	5.31	5.34	5.37	5.39	
64.4	42982	43859	44754	45206	5.28	5.31	5.33	5.36	
High	-22.0	34753	35462	36185	36551	6.10	6.13	6.16	6.19
	-10.0	37692	38461	39246	39642	6.08	6.11	6.14	6.18
	0.0	40141	40960	41796	42218	6.07	6.10	6.13	6.16
	5.0	41366	42210	43071	43506	6.06	6.09	6.12	6.16
	14.0	43570	44459	45367	45825	6.05	6.08	6.11	6.14
	17.0	44305	45209	46132	46598	6.05	6.08	6.11	6.14
	22.0	46261	47205	48169	48655	5.97	6.00	6.03	6.07
	27.0	48217	49201	50206	50713	5.90	5.93	5.96	5.99
	32.0	50174	51198	52243	52770	5.83	5.86	5.89	5.92
	37.0	52130	53194	54280	54828	5.76	5.79	5.81	5.84
	42.0	54054	55157	56282	56851	5.68	5.71	5.74	5.76
	44.6	54823	55942	57083	57660	5.65	5.68	5.70	5.73
	52.0	57901	59082	60288	60897	5.52	5.55	5.58	5.61
	57.0	59824	61045	62291	62920	5.44	5.47	5.50	5.53
62.0	61748	63008	64294	64943	5.37	5.39	5.42	5.45	
64.4	62517	63793	65095	65752	5.34	5.36	5.39	5.42	
Turbo	-22.0	36903	37657	38425	38813	6.16	6.19	6.22	6.25
	-10.0	40025	40841	41675	42096	6.14	6.18	6.21	6.24
	0.0	42625	43495	44383	44831	6.13	6.16	6.19	6.22
	5.0	43926	44822	45737	46199	6.12	6.16	6.19	6.22
	14.0	46267	47211	48174	48661	6.11	6.14	6.17	6.20
	17.0	47047	48007	48987	49482	6.11	6.14	6.17	6.20
	22.0	49124	50127	51150	51667	6.03	6.06	6.10	6.13
	27.0	51202	52247	53313	53851	5.96	5.99	6.02	6.05
	32.0	53279	54366	55476	56036	5.89	5.92	5.95	5.98
	37.0	55357	56486	57639	58221	5.81	5.84	5.87	5.90
	42.0	57399	58571	59766	60370	5.73	5.76	5.79	5.82
	44.6	58216	59404	60617	61229	5.70	5.73	5.76	5.79
	52.0	61484	62739	64019	64666	5.58	5.61	5.63	5.66
	57.0	63527	64823	66146	66814	5.50	5.53	5.55	5.58
62.0	65569	66907	68273	68963	5.42	5.45	5.47	5.50	
64.4	66386	67741	69124	69822	5.39	5.42	5.44	5.47	

COOLING PERFORMANCE DUCTED PLUS NON-DUCTED

COOLING PERFORMANCE 18K

PERFORMANCE DUCTED PLUS NON-DUCTED 18K (Sheet 1 of 4)

AIRFLOW (CFM)	OUTDOOR DB °F	ID WB (°F)	60.8				64.4				66.2				71.6			
		ID DB (°F)	73.4	77.0	80.6	84.2	73.4	77.0	80.6	84.2	73.4	77.0	80.6	84.20	73.4	77.0	80.6	84.2
Low	-22	TC	9710	9724	9734	9748	10294	10306	10318	10331	10909	10923	10938	11536	11551	11563	11577	11591
		S/T	0.21	0.24	0.28	0.32	0.22	0.25	0.30	0.34	0.24	0.27	0.32	0.36	0.41	0.47	0.53	0.61
		PI	0.76	0.76	0.77	0.77	0.81	0.81	0.81	0.81	0.86	0.86	0.86	0.91	0.91	0.91	0.91	0.91
	-10	TC	9660	9673	9684	9697	10240	10252	10265	10277	10852	10866	10880	11479	11494	11506	11520	11534
		S/T	0.21	0.24	0.28	0.32	0.23	0.26	0.30	0.34	0.24	0.27	0.32	0.36	0.41	0.47	0.54	0.61
		PI	0.74	0.74	0.74	0.74	0.78	0.78	0.78	0.78	0.83	0.83	0.83	0.88	0.88	0.88	0.88	0.88
	0	TC	9617	9630	9641	9654	10196	10208	10220	10232	10805	10819	10833	11431	11446	11458	11472	11486
		S/T	0.21	0.24	0.28	0.32	0.23	0.26	0.30	0.34	0.24	0.27	0.32	0.36	0.42	0.47	0.54	0.62
		PI	0.71	0.71	0.71	0.72	0.76	0.76	0.76	0.76	0.80	0.80	0.80	0.85	0.85	0.85	0.85	0.85
	5	TC	9596	9609	9620	9633	10173	10185	10197	10209	10781	10795	10809	11408	11422	11434	11448	11463
		S/T	0.21	0.24	0.29	0.33	0.23	0.26	0.30	0.35	0.24	0.27	0.32	0.37	0.42	0.48	0.54	0.62
		PI	0.70	0.70	0.70	0.70	0.74	0.74	0.75	0.75	0.79	0.79	0.79	0.83	0.84	0.84	0.84	0.84
	14	TC	9558	9571	9582	9595	10133	10145	10157	10169	10738	10752	10766	11365	11379	11392	11406	11420
		S/T	0.22	0.25	0.29	0.33	0.23	0.26	0.30	0.35	0.24	0.28	0.32	0.37	0.42	0.48	0.54	0.62
		PI	0.68	0.68	0.68	0.68	0.72	0.72	0.72	0.72	0.76	0.77	0.77	0.81	0.81	0.81	0.81	0.81
	23	TC	9587	9600	9610	9623	10163	10175	10187	10199	10770	10784	10798	11397	11411	11424	11438	11452
		S/T	0.22	0.25	0.29	0.33	0.23	0.26	0.31	0.35	0.24	0.28	0.32	0.37	0.42	0.48	0.55	0.62
		PI	0.67	0.68	0.68	0.68	0.72	0.72	0.72	0.72	0.76	0.76	0.76	0.80	0.80	0.80	0.81	0.81
	32	TC	9648	9661	9672	9685	10228	10240	10253	10265	10839	10854	10868	11466	11481	11493	11507	11521
		S/T	0.22	0.25	0.29	0.33	0.23	0.26	0.31	0.35	0.24	0.28	0.33	0.37	0.42	0.48	0.55	0.63
		PI	0.68	0.68	0.68	0.68	0.72	0.72	0.72	0.72	0.76	0.76	0.76	0.80	0.81	0.81	0.81	0.81
	41	TC	9483	9496	9506	9519	10053	10065	10077	10089	10654	10668	10681	11280	11295	11307	11321	11335
		S/T	0.22	0.25	0.29	0.33	0.23	0.26	0.31	0.35	0.25	0.28	0.33	0.37	0.43	0.48	0.55	0.63
		PI	0.70	0.70	0.70	0.70	0.74	0.74	0.75	0.75	0.79	0.79	0.79	0.83	0.84	0.84	0.84	0.84
	50	TC	9340	9353	9363	9376	9902	9913	9925	9937	10493	10507	10521	11119	11134	11146	11160	11174
		S/T	0.22	0.25	0.29	0.33	0.23	0.27	0.31	0.35	0.25	0.28	0.33	0.38	0.43	0.49	0.56	0.63
		PI	0.72	0.72	0.73	0.73	0.77	0.77	0.77	0.77	0.81	0.81	0.82	0.86	0.86	0.86	0.86	0.87
	59	TC	9469	9482	9493	9505	10038	10050	10062	10074	10638	10652	10666	11264	11279	11291	11305	11319
		S/T	0.22	0.25	0.29	0.34	0.23	0.27	0.31	0.36	0.25	0.28	0.33	0.38	0.43	0.49	0.56	0.64
		PI	0.72	0.72	0.72	0.72	0.76	0.76	0.76	0.76	0.81	0.81	0.81	0.85	0.86	0.86	0.86	0.86
	68	TC	9598	9611	9622	9635	10175	10187	10199	10212	10783	10797	10811	11410	11425	11437	11451	11465
		S/T	0.22	0.25	0.30	0.34	0.24	0.27	0.31	0.36	0.25	0.28	0.33	0.38	0.43	0.49	0.56	0.64
		PI	0.71	0.71	0.71	0.72	0.76	0.76	0.76	0.76	0.80	0.80	0.80	0.85	0.85	0.85	0.85	0.85
	77	TC	9728	9741	9752	9765	10312	10324	10337	10349	10928	10943	10957	11555	11570	11582	11596	11610
		S/T	0.23	0.26	0.30	0.35	0.24	0.28	0.32	0.37	0.26	0.29	0.34	0.39	0.44	0.51	0.58	0.66
		PI	0.71	0.71	0.71	0.71	0.75	0.75	0.75	0.75	0.79	0.80	0.80	0.84	0.84	0.84	0.84	0.85
	86	TC	9430	9443	9453	9466	9997	10009	10021	10032	10594	10608	10622	11220	11235	11247	11261	11275
		S/T	0.23	0.26	0.31	0.35	0.24	0.28	0.33	0.37	0.26	0.30	0.35	0.39	0.45	0.51	0.58	0.67
		PI	0.79	0.80	0.80	0.80	0.84	0.84	0.84	0.85	0.89	0.89	0.90	0.95	0.95	0.95	0.95	0.95
	95	TC	9461	9473	9484	9497	10029	10041	10053	10065	10629	10642	10656	11255	11269	11282	11296	11310
		S/T	0.24	0.27	0.32	0.36	0.25	0.29	0.33	0.38	0.27	0.30	0.35	0.40	0.46	0.53	0.60	0.68
		PI	0.81	0.81	0.81	0.81	0.86	0.86	0.86	0.86	0.91	0.91	0.91	0.96	0.97	0.97	0.97	0.97
	104	TC	7216	7226	7234	7244	7650	7659	7668	7677	8107	8118	8128	8727	8742	8754	8768	8782
		S/T	0.25	0.28	0.33	0.38	0.26	0.30	0.35	0.40	0.28	0.32	0.37	0.42	0.48	0.55	0.63	0.72
		PI	0.68	0.68	0.68	0.68	0.72	0.72	0.72	0.72	0.76	0.76	0.77	0.82	0.82	0.82	0.82	0.82
	115	TC	5507	5514	5520	5528	5838	5845	5852	5859	6187	6195	6203	6801	6816	6828	6842	6856
		S/T	0.25	0.29	0.34	0.38	0.27	0.30	0.36	0.41	0.28	0.32	0.38	0.43	0.49	0.56	0.64	0.73
		PI	0.57	0.57	0.57	0.57	0.61	0.61	0.61	0.61	0.64	0.64	0.64	0.67	0.67	0.67	0.67	0.67
122	TC	4204	4209	4214	4220	4456	4462	4467	4472	4723	4729	4735	5633	5655	5673	5694	5715	
	S/T	0.26	0.30	0.35	0.40	0.28	0.31	0.37	0.42	0.29	0.33	0.39	0.44	0.51	0.58	0.66	0.75	
	PI	0.48	0.48	0.48	0.48	0.51	0.51	0.51	0.51	0.54	0.54	0.54	0.57	0.57	0.57	0.57	0.57	

PERFORMANCE DUCTED PLUS NON-DUCTED 18K (Sheet 2 of 4)

AIRFLOW (CFM)	OUTDOOR DB °F	ID WB (°F)		60.8				64.4				66.2				71.6			
		ID DB (°F)	73.4	77.0	80.6	84.2	73.4	77.0	80.6	84.2	73.4	77.0	80.6	84.20	73.4	77.0	80.6	84.2	
		TC	S/T	PI	TC	S/T	PI	TC	S/T	PI	TC	S/T	PI	TC	S/T	PI	TC	S/T	PI
Med	-22	TC	13951	13970	13986	14005	14791	14808	14825	14842	15649	15669	15688	16545	16566	16584	16604	16624	
		S/T	0.32	0.36	0.42	0.48	0.34	0.38	0.45	0.51	0.36	0.41	0.47	0.54	0.62	0.70	0.80	0.91	
		PI	1.14	1.14	1.14	1.15	1.21	1.21	1.21	1.21	1.28	1.28	1.29	1.36	1.36	1.36	1.36	1.36	
	-10	TC	13906	13925	13940	13959	14743	14760	14777	14794	15601	15621	15640	16497	16518	16536	16556	16576	
		S/T	0.32	0.36	0.43	0.48	0.34	0.39	0.45	0.51	0.36	0.41	0.48	0.54	0.62	0.71	0.81	0.92	
		PI	1.10	1.10	1.10	1.10	1.17	1.17	1.17	1.17	1.24	1.24	1.24	1.31	1.31	1.31	1.31	1.32	
	0	TC	13869	13887	13903	13922	14703	14720	14737	14754	15561	15581	15600	16457	16478	16496	16516	16536	
		S/T	0.32	0.37	0.43	0.49	0.34	0.39	0.45	0.52	0.36	0.41	0.48	0.55	0.62	0.71	0.81	0.93	
		PI	1.07	1.07	1.07	1.07	1.13	1.13	1.13	1.13	1.20	1.20	1.20	1.27	1.27	1.27	1.27	1.27	
	5	TC	13850	13868	13884	13903	14683	14700	14717	14734	15541	15561	15580	16437	16458	16476	16496	16516	
		S/T	0.32	0.37	0.43	0.49	0.34	0.39	0.45	0.52	0.36	0.41	0.48	0.55	0.63	0.71	0.81	0.93	
		PI	1.05	1.05	1.05	1.05	1.11	1.11	1.11	1.12	1.18	1.18	1.18	1.25	1.25	1.25	1.25	1.25	
	14	TC	13816	13834	13850	13869	14647	14664	14681	14698	15505	15525	15544	16401	16422	16440	16460	16480	
		S/T	0.32	0.37	0.43	0.49	0.34	0.39	0.46	0.52	0.36	0.41	0.48	0.55	0.63	0.72	0.82	0.93	
		PI	1.02	1.02	1.02	1.02	1.08	1.08	1.08	1.08	1.14	1.15	1.15	1.21	1.21	1.21	1.22	1.22	
	23	TC	13865	13884	13899	13918	14699	14716	14733	14750	15557	15577	15597	16453	16474	16492	16512	16532	
		S/T	0.32	0.37	0.43	0.49	0.34	0.39	0.46	0.52	0.37	0.42	0.49	0.55	0.63	0.72	0.82	0.94	
		PI	1.01	1.01	1.01	1.01	1.07	1.07	1.07	1.07	1.13	1.14	1.14	1.20	1.20	1.20	1.21	1.21	
	32	TC	13956	13974	13990	14009	14795	14812	14829	14847	15653	15673	15693	16550	16571	16588	16608	16628	
		S/T	0.33	0.37	0.44	0.50	0.35	0.39	0.46	0.53	0.37	0.42	0.49	0.56	0.64	0.72	0.83	0.94	
		PI	1.01	1.01	1.01	1.02	1.07	1.07	1.07	1.08	1.14	1.14	1.14	1.20	1.20	1.21	1.21	1.21	
	41	TC	13677	13696	13711	13729	14500	14517	14534	14551	15357	15377	15397	16254	16275	16292	16312	16332	
		S/T	0.33	0.37	0.44	0.50	0.35	0.40	0.46	0.53	0.37	0.42	0.49	0.56	0.64	0.73	0.83	0.95	
		PI	1.05	1.05	1.05	1.05	1.11	1.11	1.11	1.12	1.18	1.18	1.18	1.25	1.25	1.25	1.25	1.25	
	50	TC	13429	13447	13462	13481	14236	14253	14270	14287	15094	15114	15134	15990	16011	16029	16049	16069	
		S/T	0.33	0.38	0.44	0.50	0.35	0.40	0.47	0.53	0.37	0.42	0.49	0.56	0.64	0.73	0.83	0.95	
		PI	1.08	1.08	1.09	1.09	1.15	1.15	1.15	1.15	1.22	1.22	1.22	1.29	1.29	1.29	1.29	1.30	
	59	TC	13612	13630	13645	13664	14430	14447	14464	14481	15288	15308	15328	16184	16205	16223	16243	16263	
		S/T	0.33	0.38	0.44	0.50	0.35	0.40	0.47	0.53	0.37	0.42	0.50	0.57	0.65	0.74	0.84	0.96	
		PI	1.07	1.08	1.08	1.08	1.14	1.14	1.14	1.14	1.21	1.21	1.21	1.28	1.28	1.28	1.28	1.28	
	68	TC	13794	13813	13828	13847	14624	14641	14658	14675	15482	15502	15521	16378	16399	16417	16437	16457	
		S/T	0.33	0.38	0.44	0.51	0.35	0.40	0.47	0.54	0.37	0.43	0.50	0.57	0.65	0.74	0.84	0.96	
		PI	1.07	1.07	1.07	1.07	1.13	1.13	1.13	1.13	1.20	1.20	1.20	1.27	1.27	1.27	1.27	1.27	
	77	TC	13977	13995	14011	14030	14818	14835	14852	14869	15676	15695	15715	16572	16593	16610	16631	16651	
		S/T	0.34	0.39	0.46	0.52	0.36	0.41	0.48	0.55	0.38	0.44	0.51	0.58	0.67	0.76	0.87	0.99	
		PI	1.06	1.06	1.06	1.06	1.12	1.12	1.12	1.13	1.19	1.19	1.19	1.26	1.26	1.26	1.26	1.26	
	86	TC	13510	13529	13544	13562	14322	14339	14356	14374	15180	15200	15220	16077	16098	16115	16135	16155	
		S/T	0.35	0.40	0.46	0.53	0.37	0.42	0.49	0.56	0.39	0.44	0.52	0.59	0.67	0.77	0.88	0.99	
		PI	1.19	1.19	1.19	1.19	1.26	1.26	1.26	1.26	1.33	1.34	1.34	1.41	1.42	1.42	1.42	1.42	
	95	TC	13543	13561	13577	13595	14357	14374	14391	14408	15215	15235	15255	16111	16132	16150	16170	16190	
		S/T	0.36	0.41	0.47	0.54	0.38	0.43	0.50	0.57	0.40	0.46	0.53	0.61	0.69	0.79	0.90	1.00	
		PI	1.21	1.21	1.21	1.22	1.28	1.29	1.29	1.29	1.36	1.36	1.36	1.44	1.44	1.45	1.45	1.45	
	104	TC	10163	10176	10188	10202	10765	10782	10799	10816	11623	11643	11663	12519	12540	12558	12578	12598	
		S/T	0.37	0.43	0.50	0.57	0.40	0.45	0.53	0.60	0.42	0.48	0.56	0.64	0.73	0.83	0.94	1.00	
		PI	1.02	1.02	1.02	1.02	1.08	1.08	1.08	1.08	1.14	1.14	1.14	1.22	1.22	1.22	1.23	1.23	
	115	TC	7582	7592	7600	7611	8022	8039	8056	8073	8880	8900	8920	9776	9797	9815	9835	9855	
		S/T	0.38	0.43	0.50	0.57	0.40	0.46	0.53	0.61	0.42	0.48	0.57	0.64	0.74	0.84	0.96	1.00	
		PI	0.85	0.85	0.85	0.86	0.90	0.90	0.91	0.91	0.96	0.96	0.96	1.00	1.00	1.00	1.00	1.01	
122	TC	5202	5209	5215	5222	5477	5502	5528	5553	6765	6795	6825	8112	8143	8169	8199	8230		
	S/T	0.39	0.45	0.52	0.59	0.41	0.47	0.55	0.63	0.44	0.50	0.59	0.67	0.76	0.87	0.99	1.00		
		PI	0.72	0.72	0.72	0.72	0.76	0.76	0.76	0.81	0.81	0.81	0.85	0.85	0.86	0.86	0.86		

PERFORMANCE DUCTED PLUS NON-DUCTED 18K (Sheet 3 of 4)

AIRFLOW (CFM)	OUTDOOR DB °F	ID WB (°F)		60.8				64.4				66.2				71.6			
		ID DB (°F)	73.4	77.0	80.6	84.2	73.4	77.0	80.6	84.2	73.4	77.0	80.6	84.20	73.4	77.0	80.6	84.2	
		TC	S/T	PI	TC	S/T	PI	TC	S/T	PI	TC	S/T	PI	TC	S/T	PI	TC	S/T	PI
High	-22	TC	20960	20988	21012	21040	22222	22247	22273	22298	23510	23540	23570	24856	24888	24914	24944	24975	
		S/T	0.48	0.54	0.63	0.72	0.50	0.58	0.67	0.77	0.53	0.61	0.71	0.81	0.93	1.00	1.00	1.00	
		PI	1.71	1.72	1.72	1.72	1.82	1.82	1.82	1.82	1.93	1.93	1.93	2.04	2.04	2.04	2.05	2.05	
	-10	TC	20898	20926	20949	20977	22155	22181	22206	22232	23444	23473	23503	24790	24821	24848	24878	24908	
		S/T	0.48	0.55	0.64	0.73	0.51	0.58	0.68	0.77	0.54	0.61	0.72	0.82	0.93	1.00	1.00	1.00	
		PI	1.65	1.66	1.66	1.66	1.75	1.75	1.76	1.76	1.86	1.86	1.86	1.97	1.97	1.97	1.97	1.97	
	0	TC	20845	20873	20897	20925	22100	22125	22151	22176	23388	23418	23448	24734	24766	24792	24822	24853	
		S/T	0.48	0.55	0.64	0.73	0.51	0.58	0.68	0.78	0.54	0.62	0.72	0.82	0.94	1.00	1.00	1.00	
		PI	1.60	1.60	1.61	1.61	1.70	1.70	1.70	1.70	1.80	1.80	1.80	1.91	1.91	1.91	1.91	1.91	
	5	TC	20819	20847	20871	20899	22072	22097	22123	22149	23361	23390	23420	24707	24738	24765	24795	24825	
		S/T	0.48	0.55	0.64	0.73	0.51	0.58	0.68	0.78	0.54	0.62	0.72	0.83	0.94	1.00	1.00	1.00	
		PI	1.58	1.58	1.58	1.58	1.67	1.67	1.68	1.68	1.77	1.77	1.78	1.88	1.88	1.88	1.88	1.88	
	14	TC	20772	20800	20824	20852	22022	22047	22073	22099	23311	23340	23370	24657	24688	24715	24745	24775	
		S/T	0.49	0.55	0.65	0.74	0.51	0.59	0.69	0.78	0.55	0.62	0.73	0.83	0.95	1.00	1.00	1.00	
		PI	1.53	1.53	1.53	1.54	1.62	1.62	1.63	1.63	1.72	1.72	1.72	1.82	1.82	1.83	1.83	1.83	
	23	TC	20847	20875	20899	20927	22101	22127	22153	22178	23390	23420	23450	24736	24768	24794	24824	24855	
		S/T	0.49	0.56	0.65	0.74	0.52	0.59	0.69	0.79	0.55	0.63	0.73	0.83	0.95	1.00	1.00	1.00	
		PI	1.52	1.52	1.52	1.52	1.61	1.61	1.61	1.61	1.71	1.71	1.71	1.81	1.81	1.81	1.81	1.81	
	32	TC	20983	21011	21035	21063	22246	22271	22297	22322	23534	23564	23594	24880	24912	24938	24968	24999	
		S/T	0.49	0.56	0.65	0.75	0.52	0.59	0.69	0.79	0.55	0.63	0.74	0.84	0.96	1.00	1.00	1.00	
		PI	1.52	1.52	1.52	1.53	1.61	1.61	1.62	1.62	1.71	1.71	1.71	1.81	1.81	1.81	1.82	1.82	
	41	TC	20560	20588	20611	20639	21796	21822	21847	21873	23085	23115	23144	24431	24463	24489	24519	24549	
		S/T	0.49	0.56	0.66	0.75	0.52	0.60	0.70	0.79	0.55	0.63	0.74	0.84	0.96	1.00	1.00	1.00	
		PI	1.58	1.58	1.58	1.58	1.67	1.68	1.68	1.68	1.77	1.78	1.78	1.88	1.88	1.88	1.88	1.89	
	50	TC	20183	20210	20233	20260	21395	21421	21446	21472	22684	22714	22743	24030	24062	24088	24118	24148	
		S/T	0.50	0.57	0.66	0.75	0.53	0.60	0.70	0.80	0.56	0.63	0.74	0.85	0.96	1.00	1.00	1.00	
		PI	1.63	1.63	1.63	1.64	1.73	1.73	1.73	1.73	1.83	1.83	1.84	1.94	1.94	1.94	1.95	1.95	
	59	TC	20455	20482	20505	20533	21684	21710	21735	21761	22973	23003	23032	24319	24351	24377	24407	24437	
		S/T	0.50	0.57	0.66	0.76	0.53	0.60	0.70	0.80	0.56	0.64	0.75	0.85	0.97	1.00	1.00	1.00	
		PI	1.62	1.62	1.62	1.62	1.71	1.72	1.72	1.72	1.82	1.82	1.82	1.92	1.93	1.93	1.93	1.93	
	68	TC	20726	20754	20778	20806	21973	21999	22024	22050	23262	23291	23321	24608	24639	24666	24696	24726	
		S/T	0.50	0.57	0.67	0.76	0.53	0.60	0.71	0.81	0.56	0.64	0.75	0.86	0.97	1.00	1.00	1.00	
		PI	1.60	1.61	1.61	1.61	1.70	1.70	1.70	1.71	1.80	1.80	1.81	1.91	1.91	1.91	1.91	1.92	
	77	TC	20998	21026	21050	21078	22262	22287	22313	22339	23551	23580	23610	24897	24928	24955	24985	25015	
		S/T	0.51	0.59	0.69	0.78	0.54	0.62	0.73	0.83	0.58	0.66	0.77	0.88	1.00	1.00	1.00	1.00	
		PI	1.59	1.59	1.59	1.60	1.68	1.69	1.69	1.69	1.79	1.79	1.79	1.89	1.89	1.90	1.90	1.90	
	86	TC	20296	20323	20346	20373	21515	21541	21566	21592	22804	22834	22863	24150	24182	24208	24238	24268	
		S/T	0.52	0.59	0.69	0.79	0.55	0.63	0.74	0.84	0.59	0.67	0.78	0.89	1.00	1.00	1.00	1.00	
		PI	1.79	1.79	1.79	1.79	1.89	1.90	1.90	1.90	2.01	2.01	2.01	2.12	2.13	2.13	2.13	2.13	
	95	TC	20343	20370	20393	20420	21565	21591	21616	21642	22854	22884	22913	24200	24232	24258	24288	24318	
		S/T	0.53	0.61	0.71	0.81	0.57	0.65	0.75	0.86	0.60	0.68	0.80	0.91	0.64	0.74	0.85	0.97	
		PI	1.82	1.82	1.83	1.83	1.93	1.93	1.93	1.94	2.05	2.05	2.05	2.17	2.17	2.17	2.17	2.18	
	104	TC	15269	15289	15307	15327	16174	16199	16225	16251	17463	17492	17522	18809	18840	18867	18897	18927	
		S/T	0.56	0.64	0.75	0.85	0.59	0.68	0.79	0.90	0.63	0.72	0.84	0.96	1.00	1.00	1.00	1.00	
		PI	1.53	1.53	1.53	1.53	1.62	1.62	1.62	1.62	1.71	1.72	1.72	1.83	1.84	1.84	1.84	1.84	
	115	TC	11394	11409	11422	11438	12056	12082	12108	12133	13345	13375	13404	14691	14723	14749	14779	14810	
		S/T	0.57	0.65	0.76	0.86	0.60	0.69	0.80	0.91	0.64	0.73	0.85	0.97	1.00	1.00	1.00	1.00	
		PI	1.28	1.28	1.28	1.28	1.36	1.36	1.36	1.36	1.44	1.44	1.44	1.50	1.50	1.51	1.51	1.51	
122	TC	8434	8445	8454	8466	8910	8936	8962	8987	10199	10229	10259	11545	11577	11603	11633	11664		
	PI	1.08	1.08	1.08	1.08	1.14	1.14	1.14	1.14	1.21	1.21	1.21	1.28	1.28	1.28	1.28	1.29		

PERFORMANCE DUCTED PLUS NON-DUCTED 18K (Sheet 4 of 4)

AIRFLOW (CFM)	OUTDOOR DB °F	ID WB (°F)		60.8				64.4				66.2				71.6			
		ID DB (°F)	73.4	77.0	80.6	84.2	73.4	77.0	80.6	84.2	73.4	77.0	80.6	84.20	73.4	77.0	80.6	84.2	
		TC	S/T	PI	TC	S/T	PI	TC	S/T	PI	TC	S/T	PI	TC	S/T	PI	TC	S/T	PI
Turbo	-22	TC	21857	21887	21911	21941	23171	23198	23226	23253	24555	24587	24619	26002	26036	26064	26096	26129	
		S/T	0.50	0.57	0.66	0.76	0.53	0.60	0.70	0.80	0.56	0.64	0.74	0.85	0.97	1.00	1.00	1.00	
		PI	1.79	1.79	1.80	1.80	1.90	1.90	1.90	1.91	2.01	2.02	2.02	2.13	2.14	2.14	2.14	2.14	
	-10	TC	21780	21809	21834	21863	23089	23117	23144	23171	24469	24501	24533	25910	25944	25972	26005	26037	
		S/T	0.50	0.57	0.67	0.76	0.53	0.60	0.71	0.81	0.56	0.64	0.75	0.85	0.97	1.00	1.00	1.00	
		PI	1.73	1.73	1.73	1.73	1.83	1.83	1.83	1.84	1.94	1.94	1.94	2.05	2.06	2.06	2.06	2.06	
	0	TC	21716	21745	21770	21799	23021	23049	23076	23103	24397	24429	24460	25834	25868	25896	25928	25960	
		S/T	0.50	0.57	0.67	0.77	0.53	0.61	0.71	0.81	0.57	0.64	0.75	0.86	0.97	1.00	1.00	1.00	
		PI	1.67	1.67	1.68	1.68	1.77	1.77	1.78	1.78	1.88	1.88	1.88	1.99	1.99	1.99	2.00	2.00	
	5	TC	21684	21713	21738	21767	22987	23015	23042	23069	24361	24393	24424	25796	25830	25858	25890	25922	
		S/T	0.50	0.58	0.67	0.77	0.54	0.61	0.71	0.81	0.57	0.65	0.76	0.86	0.97	1.00	1.00	1.00	
		PI	1.64	1.65	1.65	1.65	1.74	1.75	1.75	1.75	1.85	1.85	1.85	1.96	1.96	1.96	1.96	1.97	
	14	TC	21626	21655	21680	21709	22926	22953	22981	23008	24296	24328	24359	25727	25761	25789	25821	25853	
		S/T	0.51	0.58	0.68	0.77	0.54	0.61	0.72	0.82	0.57	0.65	0.76	0.87	0.98	1.00	1.00	1.00	
		PI	1.60	1.60	1.60	1.60	1.69	1.69	1.70	1.70	1.79	1.79	1.80	1.90	1.90	1.90	1.90	1.91	
	23	TC	21697	21726	21751	21780	23001	23029	23056	23083	24376	24407	24439	25812	25845	25873	25906	25938	
		S/T	0.51	0.58	0.68	0.78	0.54	0.62	0.72	0.82	0.57	0.65	0.76	0.87	0.98	1.00	1.00	1.00	
		PI	1.58	1.58	1.59	1.59	1.68	1.68	1.68	1.68	1.78	1.78	1.78	1.88	1.88	1.89	1.89	1.89	
	32	TC	21832	21862	21886	21916	23145	23172	23199	23227	24528	24559	24591	25972	26006	26034	26067	26099	
		S/T	0.51	0.58	0.68	0.78	0.54	0.62	0.72	0.83	0.58	0.66	0.77	0.88	0.98	1.00	1.00	1.00	
		PI	1.58	1.59	1.59	1.59	1.68	1.68	1.68	1.69	1.78	1.78	1.78	1.89	1.89	1.89	1.89	1.89	
	41	TC	21429	21457	21482	21511	22717	22743	22770	22797	24074	24105	24137	25492	25525	25553	25585	25617	
		S/T	0.52	0.59	0.69	0.78	0.55	0.62	0.73	0.83	0.58	0.66	0.77	0.88	0.98	1.00	1.00	1.00	
		PI	1.64	1.64	1.65	1.65	1.74	1.74	1.75	1.75	1.85	1.85	1.85	1.95	1.96	1.96	1.96	1.96	
	50	TC	21071	21100	21123	21152	22338	22364	22391	22417	23673	23703	23734	25067	25100	25127	25158	25190	
		S/T	0.52	0.59	0.69	0.79	0.55	0.63	0.73	0.83	0.58	0.66	0.78	0.88	0.99	1.00	1.00	1.00	
		PI	1.70	1.70	1.70	1.70	1.80	1.80	1.80	1.80	1.90	1.91	1.91	2.02	2.02	2.02	2.02	2.03	
	59	TC	21346	21375	21399	21427	22629	22656	22683	22709	23981	24012	24043	25394	25427	25454	25486	25518	
		S/T	0.52	0.59	0.69	0.79	0.55	0.63	0.74	0.84	0.58	0.67	0.78	0.89	0.99	1.00	1.00	1.00	
		PI	1.68	1.69	1.69	1.69	1.78	1.79	1.79	1.79	1.89	1.89	1.90	2.00	2.01	2.01	2.01	2.01	
	68	TC	21620	21649	21674	21703	22920	22947	22974	23001	24289	24321	24353	25720	25754	25782	25814	25846	
		S/T	0.52	0.60	0.70	0.79	0.55	0.63	0.74	0.84	0.59	0.67	0.78	0.89	0.99	1.00	1.00	1.00	
		PI	1.67	1.67	1.68	1.68	1.77	1.77	1.78	1.78	1.88	1.88	1.88	1.99	1.99	1.99	2.00	2.00	
	77	TC	21895	21924	21949	21979	23211	23238	23266	23293	24598	24630	24662	26047	26081	26109	26142	26174	
		S/T	0.54	0.61	0.72	0.82	0.57	0.65	0.76	0.86	0.60	0.69	0.80	0.92	1.00	1.00	1.00	1.00	
		PI	1.66	1.66	1.66	1.67	1.76	1.76	1.76	1.77	1.86	1.87	1.87	1.97	1.98	1.98	1.98	1.98	
	86	TC	21209	21238	21261	21290	22484	22510	22537	22564	23827	23858	23889	25231	25264	25291	25323	25354	
		S/T	0.54	0.62	0.72	0.83	0.58	0.66	0.77	0.88	0.61	0.70	0.81	0.93	1.00	1.00	1.00	1.00	
		PI	1.86	1.87	1.87	1.87	1.98	1.98	1.98	1.98	2.09	2.10	2.10	2.22	2.22	2.22	2.22	2.23	
	95	TC	21262	21291	21314	21343	22540	22567	22593	22620	23887	23918	23949	25294	25327	25354	25386	25417	
		S/T	0.56	0.64	0.74	0.85	0.59	0.67	0.79	0.90	0.63	0.71	0.84	0.95	1.00	1.00	1.00	1.00	
		PI	1.90	1.90	1.91	1.91	2.02	2.02	2.02	2.02	2.14	2.14	2.14	2.26	2.26	2.27	2.27	2.27	
	104	TC	16247	16269	16287	16309	17224	17244	17265	17285	18253	18277	18301	19328	19353	19374	19399	19423	
		S/T	0.59	0.67	0.78	0.89	0.62	0.71	0.83	0.94	0.66	0.74	0.88	0.98	1.00	1.00	1.00	1.00	
		PI	1.59	1.60	1.60	1.60	1.69	1.69	1.69	1.69	1.70	1.79	1.79	1.80	1.90	1.90	1.90	1.91	
	115	TC	12420	12437	12451	12468	13167	13182	13198	13214	13954	13972	13990	14775	14795	14811	14829	14848	
		S/T	0.59	0.68	0.79	0.90	0.63	0.72	0.84	0.95	0.67	0.74	0.89	0.99	1.00	1.00	1.00	1.00	
		PI	1.34	1.34	1.34	1.35	1.42	1.42	1.42	1.43	1.51	1.51	1.51	1.59	1.60	1.60	1.60	1.60	
122	TC	9498	9511	9522	9535	10069	10081	10093	10105	10671	10685	10699	11300	11314	11327	11341	11355		
	S/T	0.61	0.70	0.82	0.93	0.65	0.73	0.87	0.98	0.69	0.75	0.92	1.00	1.00	1.00	1.00	1.00		
	PI	1.13	1.13	1.13	1.13	1.20	1.20	1.20	1.20	1.27	1.27	1.27	1.34	1.34	1.35	1.35	1.35		

NOTE: Data highlighted in gray is extrapolated data and not actual test data. At 77°F outdoor conditions sweat protection activates causing a decrease in total capacity.

LEGEND

- TC - Total Net Capacity (Btu/hour)
- S/T: Sensible Cooling Capacity Ratio
- PI: Power Input (kW)
- Extrapolated Data

COOLING PERFORMANCE DUCTED PLUS NON-DUCTED

COOLING PERFORMANCE 24K

PERFORMANCE DUCTED PLUS NON-DUCTED 24K (Sheet 1 of 4)

AIRFLOW (CFM)	OUTDOOR DB °F	ID WB (°F)	60.8				64.4				66.2				71.6			
		ID DB (°F)	73.4	77.0	80.6	84.2	73.4	77.0	80.6	84.2	73.4	77.0	80.6	84.2	73.4	77.0	80.6	84.2
Low	-22	TC	12977	12994	13009	13026	13757	13773	13789	13806	14579	14598	14617	15437	15457	15474	15493	15512
		S/T	0.21	0.24	0.28	0.32	0.22	0.25	0.30	0.34	0.24	0.27	0.32	0.36	0.41	0.47	0.53	0.61
		PI	1.12	1.12	1.13	1.13	1.19	1.19	1.19	1.19	1.26	1.26	1.26	1.34	1.34	1.34	1.34	1.34
	-10	TC	13085	13102	13117	13135	13871	13888	13904	13921	14700	14719	14738	15559	15579	15596	15615	15634
		S/T	0.21	0.24	0.28	0.32	0.22	0.26	0.30	0.34	0.24	0.27	0.32	0.36	0.41	0.47	0.54	0.61
		PI	1.06	1.06	1.07	1.07	1.13	1.13	1.13	1.13	1.19	1.20	1.20	1.26	1.27	1.27	1.27	1.27
	0	TC	13175	13193	13207	13225	13967	13983	14000	14017	14801	14821	14840	15660	15680	15697	15716	15736
		S/T	0.21	0.24	0.28	0.32	0.23	0.26	0.30	0.34	0.24	0.27	0.32	0.36	0.42	0.47	0.54	0.62
		PI	1.01	1.01	1.01	1.02	1.07	1.07	1.08	1.08	1.14	1.14	1.14	1.20	1.21	1.21	1.21	1.21
	5	TC	13220	13238	13253	13271	14015	14031	14048	14065	14852	14871	14891	15711	15731	15748	15767	15787
		S/T	0.21	0.24	0.29	0.33	0.23	0.26	0.30	0.34	0.24	0.27	0.32	0.37	0.42	0.47	0.54	0.62
		PI	0.99	0.99	0.99	0.99	1.05	1.05	1.05	1.05	1.11	1.11	1.11	1.17	1.18	1.18	1.18	1.18
	14	TC	13301	13319	13334	13352	14101	14117	14134	14151	14943	14963	14982	15803	15823	15839	15859	15878
		S/T	0.22	0.25	0.29	0.33	0.23	0.26	0.30	0.35	0.24	0.28	0.32	0.37	0.42	0.48	0.54	0.62
		PI	0.94	0.94	0.94	0.95	1.00	1.00	1.00	1.00	1.06	1.06	1.06	1.12	1.12	1.12	1.12	1.13
	23	TC	13790	13809	13824	13843	14619	14637	14654	14671	15493	15513	15533	16354	16374	16390	16410	16429
		S/T	0.22	0.25	0.29	0.33	0.23	0.26	0.31	0.35	0.24	0.28	0.32	0.37	0.42	0.48	0.55	0.62
		PI	0.93	0.93	0.93	0.93	0.98	0.98	0.99	0.99	1.04	1.04	1.04	1.10	1.10	1.11	1.11	1.11
	32	TC	14484	14503	14519	14539	15354	15372	15390	15409	16272	16293	16314	17134	17154	17171	17190	17210
		S/T	0.22	0.25	0.29	0.33	0.23	0.26	0.31	0.35	0.24	0.28	0.33	0.37	0.42	0.48	0.55	0.63
		PI	0.93	0.93	0.93	0.93	0.98	0.98	0.98	0.99	1.04	1.04	1.04	1.10	1.10	1.11	1.11	1.11
	41	TC	14733	14753	14769	14789	15619	15637	15656	15674	16552	16573	16595	17415	17435	17452	17472	17491
		S/T	0.22	0.25	0.29	0.33	0.23	0.26	0.31	0.35	0.25	0.28	0.33	0.37	0.43	0.48	0.55	0.63
		PI	1.01	1.01	1.01	1.01	1.07	1.07	1.07	1.07	1.13	1.13	1.13	1.20	1.20	1.20	1.20	1.20
	50	TC	14812	14832	14849	14869	15702	15721	15740	15758	16641	16662	16684	17504	17524	17541	17560	17580
		S/T	0.22	0.25	0.29	0.33	0.23	0.27	0.31	0.35	0.25	0.28	0.33	0.37	0.43	0.49	0.56	0.63
		PI	1.09	1.09	1.09	1.09	1.16	1.16	1.16	1.16	1.23	1.23	1.23	1.30	1.30	1.30	1.30	1.30
	59	TC	14994	15014	15031	15051	15895	15914	15933	15951	16845	16867	16888	17709	17729	17746	17765	17784
		S/T	0.22	0.25	0.29	0.34	0.23	0.27	0.31	0.35	0.25	0.28	0.33	0.38	0.43	0.49	0.56	0.64
		PI	1.11	1.11	1.11	1.11	1.17	1.17	1.18	1.18	1.24	1.25	1.25	1.32	1.32	1.32	1.32	1.32
	68	TC	15175	15196	15213	15233	16087	16106	16125	16145	17049	17071	17093	17913	17933	17950	17969	17989
		S/T	0.22	0.25	0.30	0.34	0.23	0.27	0.31	0.36	0.25	0.28	0.33	0.38	0.43	0.49	0.56	0.64
		PI	1.12	1.12	1.13	1.13	1.19	1.19	1.19	1.19	1.26	1.26	1.26	1.34	1.34	1.34	1.34	1.34
	77	TC	15357	15377	15395	15415	16280	16299	16318	16338	17253	17275	17297	18118	18138	18155	18174	18193
		S/T	0.23	0.26	0.30	0.35	0.24	0.27	0.32	0.37	0.26	0.29	0.34	0.39	0.44	0.51	0.58	0.66
		PI	1.14	1.14	1.14	1.14	1.21	1.21	1.21	1.21	1.28	1.28	1.28	1.36	1.36	1.36	1.36	1.36
	86	TC	13304	13322	13337	13355	14103	14120	14137	14154	14946	14966	14985	15805	15826	15842	15862	15881
		S/T	0.23	0.26	0.31	0.35	0.24	0.28	0.33	0.37	0.26	0.30	0.35	0.39	0.45	0.51	0.58	0.66
		PI	1.26	1.26	1.26	1.26	1.33	1.33	1.34	1.34	1.41	1.41	1.42	1.50	1.50	1.50	1.50	1.50
	95	TC	12970	12987	13002	13019	13749	13765	13782	13798	14571	14590	14609	15429	15449	15466	15485	15505
		S/T	0.24	0.27	0.32	0.36	0.25	0.29	0.33	0.38	0.27	0.30	0.35	0.40	0.46	0.52	0.60	0.68
		PI	1.30	1.30	1.30	1.30	1.38	1.38	1.38	1.38	1.46	1.46	1.46	1.54	1.55	1.55	1.55	1.55
	104	TC	11254	11269	11282	11297	11931	11945	11959	11973	12644	12660	12677	13497	13517	13534	13553	13572
		S/T	0.25	0.28	0.33	0.38	0.26	0.30	0.35	0.40	0.28	0.32	0.37	0.42	0.48	0.55	0.63	0.72
		PI	1.13	1.13	1.13	1.13	1.19	1.19	1.20	1.20	1.26	1.27	1.27	1.35	1.35	1.35	1.36	1.36
	115	TC	9797	9810	9821	9835	10386	10398	10411	10423	11007	11021	11035	11856	11876	11892	11912	11931
		S/T	0.25	0.29	0.33	0.38	0.27	0.30	0.36	0.40	0.28	0.32	0.38	0.43	0.49	0.56	0.64	0.72
		PI	0.98	0.98	0.98	0.98	1.04	1.04	1.04	1.04	1.10	1.10	1.10	1.16	1.16	1.16	1.16	1.16
122	TC	8555	8567	8576	8588	9069	9080	9091	9102	9611	9624	9636	10867	10897	10923	10951	10980	
	S/T	0.26	0.30	0.35	0.40	0.28	0.31	0.37	0.42	0.29	0.33	0.39	0.44	0.51	0.58	0.66	0.75	
	PI	0.85	0.85	0.85	0.85	0.90	0.90	0.90	0.90	0.95	0.95	0.95	1.01	1.01	1.01	1.01	1.01	

PERFORMANCE DUCTED PLUS NON-DUCTED 24K (Sheet 2 of 4)

AIRFLOW (CFM)	OUTDOOR DB °F	ID WB (°F) ID DB (°F)	60.8				64.4				66.2				71.6			
			73.4	77.0	80.6	84.2	73.4	77.0	80.6	84.2	73.4	77.0	80.6	84.20	73.4	77.0	80.6	84.2
			TC	S/T	PI	TC	S/T	PI	TC	S/T	PI	TC	S/T	PI	TC	S/T	PI	TC
Med	-22	TC	18690	18715	18736	18762	19814	19837	19861	19884	20989	21017	21044	22218	22246	22270	22298	22325
		S/T	0.32	0.36	0.42	0.48	0.34	0.38	0.45	0.51	0.36	0.41	0.47	0.54	0.62	0.70	0.80	0.91
		PI	1.68	1.68	1.69	1.69	1.78	1.78	1.79	1.79	1.89	1.89	1.89	2.00	2.00	2.00	2.01	2.01
	-10	TC	18805	18831	18852	18877	19936	19960	19983	20006	21112	21139	21166	22340	22369	22393	22420	22448
		S/T	0.32	0.36	0.43	0.48	0.34	0.39	0.45	0.51	0.36	0.41	0.48	0.54	0.62	0.71	0.81	0.92
		PI	1.59	1.59	1.59	1.60	1.69	1.69	1.69	1.69	1.79	1.79	1.79	1.89	1.89	1.90	1.90	1.90
	0	TC	18901	18927	18948	18974	20038	20062	20085	20108	21214	21241	21268	22442	22471	22495	22522	22550
		S/T	0.32	0.37	0.43	0.49	0.34	0.39	0.45	0.52	0.36	0.41	0.48	0.55	0.62	0.71	0.81	0.93
		PI	1.51	1.52	1.52	1.52	1.61	1.61	1.61	1.61	1.70	1.70	1.71	1.80	1.80	1.81	1.81	1.81
	5	TC	18949	18975	18996	19022	20089	20113	20136	20159	21265	21292	21319	22493	22522	22546	22573	22601
		S/T	0.32	0.37	0.43	0.49	0.34	0.39	0.45	0.52	0.36	0.41	0.48	0.55	0.63	0.71	0.81	0.93
		PI	1.48	1.48	1.48	1.48	1.57	1.57	1.57	1.57	1.66	1.66	1.66	1.76	1.76	1.76	1.76	1.77
	14	TC	19036	19061	19083	19109	20181	20204	20228	20251	21357	21384	21411	22585	22613	22637	22665	22693
		S/T	0.32	0.37	0.43	0.49	0.34	0.39	0.46	0.52	0.36	0.41	0.48	0.55	0.63	0.72	0.82	0.93
		PI	1.41	1.41	1.41	1.41	1.49	1.50	1.50	1.50	1.58	1.59	1.59	1.68	1.68	1.68	1.68	1.68
	23	TC	19653	19680	19702	19728	20837	20861	20884	20907	22013	22040	22067	23241	23270	23294	23321	23349
		S/T	0.32	0.37	0.43	0.49	0.34	0.39	0.46	0.52	0.36	0.42	0.49	0.55	0.63	0.72	0.82	0.94
		PI	1.39	1.39	1.39	1.39	1.47	1.47	1.47	1.47	1.56	1.56	1.56	1.65	1.65	1.65	1.65	1.66
	32	TC	20536	20564	20587	20615	21776	21799	21822	21846	22951	22978	23005	24179	24208	24232	24260	24287
		S/T	0.33	0.37	0.44	0.50	0.35	0.39	0.46	0.53	0.37	0.42	0.49	0.56	0.64	0.72	0.83	0.94
		PI	1.38	1.39	1.39	1.39	1.47	1.47	1.47	1.47	1.56	1.56	1.56	1.65	1.65	1.65	1.65	1.66
	41	TC	20933	20961	20985	21013	22197	22220	22244	22267	23373	23400	23427	24601	24629	24653	24681	24709
		S/T	0.33	0.37	0.44	0.50	0.35	0.40	0.46	0.53	0.37	0.42	0.49	0.56	0.64	0.73	0.83	0.95
		PI	1.50	1.51	1.51	1.51	1.59	1.60	1.60	1.60	1.69	1.69	1.69	1.79	1.79	1.79	1.80	1.80
	50	TC	21149	21177	21201	21230	22427	22450	22473	22497	23602	23629	23656	24830	24859	24883	24910	24938
		S/T	0.33	0.38	0.44	0.50	0.35	0.40	0.47	0.53	0.37	0.42	0.49	0.56	0.64	0.73	0.83	0.95
		PI	1.63	1.63	1.64	1.64	1.73	1.73	1.73	1.74	1.83	1.84	1.84	1.94	1.94	1.95	1.95	1.95
	59	TC	21490	21519	21543	21572	22789	22812	22835	22859	23964	23991	24018	25192	25221	25245	25272	25300
		S/T	0.33	0.38	0.44	0.50	0.35	0.40	0.47	0.53	0.37	0.42	0.50	0.57	0.65	0.74	0.84	0.96
		PI	1.66	1.66	1.66	1.66	1.76	1.76	1.76	1.76	1.86	1.86	1.87	1.97	1.97	1.97	1.98	1.98
	68	TC	21830	21860	21884	21914	23151	23174	23197	23221	24326	24353	24380	25554	25583	25607	25634	25662
		S/T	0.33	0.38	0.44	0.51	0.35	0.40	0.47	0.54	0.37	0.43	0.50	0.57	0.65	0.74	0.84	0.96
		PI	1.68	1.68	1.68	1.69	1.78	1.78	1.79	1.79	1.89	1.89	1.89	2.00	2.00	2.00	2.01	2.01
	77	TC	22171	22201	22226	22256	23513	23536	23559	23583	24688	24715	24742	25916	25945	25969	25997	26024
		S/T	0.34	0.39	0.46	0.52	0.36	0.41	0.48	0.55	0.38	0.44	0.51	0.58	0.67	0.76	0.87	0.99
		PI	1.70	1.71	1.71	1.71	1.81	1.81	1.81	1.81	1.91	1.92	1.92	2.03	2.03	2.03	2.03	2.04
	86	TC	19021	19047	19068	19094	20166	20189	20212	20236	21341	21368	21395	22569	22598	22622	22650	22677
		S/T	0.35	0.39	0.46	0.53	0.37	0.42	0.49	0.56	0.39	0.44	0.52	0.59	0.67	0.77	0.88	0.99
		PI	1.88	1.88	1.89	1.89	1.99	2.00	2.00	2.00	2.11	2.12	2.12	2.24	2.24	2.24	2.25	2.25
	95	TC	18557	18582	18602	18627	19672	19695	19719	19742	20847	20874	20902	22075	22104	22128	22156	22183
		S/T	0.36	0.41	0.47	0.54	0.38	0.43	0.50	0.57	0.40	0.46	0.53	0.61	0.69	0.79	0.90	1.00
		PI	1.94	1.94	1.95	1.95	2.06	2.06	2.06	2.06	2.18	2.18	2.19	2.31	2.31	2.31	2.32	2.32
	104	TC	15843	15864	15882	15904	16789	16812	16835	16859	17964	17991	18018	19192	19221	19245	19272	19300
		S/T	0.37	0.43	0.50	0.57	0.40	0.45	0.53	0.60	0.42	0.48	0.56	0.64	0.73	0.83	0.94	1.00
		PI	1.68	1.69	1.69	1.69	1.78	1.79	1.79	1.79	1.89	1.89	1.90	2.02	2.02	2.02	2.03	2.03
	115	TC	13552	13571	13586	13604	14354	14378	14401	14424	15530	15557	15584	16758	16787	16811	16838	16866
		S/T	0.38	0.43	0.50	0.57	0.40	0.46	0.53	0.61	0.42	0.48	0.57	0.64	0.73	0.84	0.96	1.00
		PI	1.46	1.46	1.46	1.47	1.55	1.55	1.55	1.55	1.64	1.64	1.64	1.73	1.73	1.73	1.74	1.74
122	TC	11053	11068	11080	11095	11675	11710	11745	11780	13441	13482	13523	15287	15330	15366	15407	15449	
	S/T	0.39	0.45	0.52	0.59	0.41	0.47	0.55	0.63	0.44	0.50	0.59	0.67	0.76	0.87	0.99	1.00	
	PI	1.27	1.27	1.27	1.27	1.34	1.34	1.35	1.35	1.42	1.42	1.43	1.51	1.51	1.51	1.51	1.51	

PERFORMANCE DUCTED PLUS NON-DUCTED 24K (Sheet 3 of 4)

AIRFLOW (CFM)	OUTDOOR DB °F	ID WB (°F) ID DB (°F)	60.8				64.4				66.2				71.6			
			73.4	77.0	80.6	84.2	73.4	77.0	80.6	84.2	73.4	77.0	80.6	84.20	73.4	77.0	80.6	84.2
			TC	28104	28142	28173	28211	29794	29829	29864	29899	31560	31601	31642	33405	33449	33485	33526
S/T	0.48	0.54	0.63	0.72	0.50	0.58	0.67	0.77	0.53	0.61	0.71	0.81	0.93	1.00	1.00	1.00		
PI	2.53	2.53	2.54	2.54	2.68	2.68	2.69	2.69	2.84	2.85	2.85	3.01	3.01	3.02	3.02	3.02		
TC	28269	28307	28339	28377	29969	30004	30040	30075	31736	31777	31817	33581	33624	33660	33702	33743		
S/T	0.48	0.55	0.64	0.73	0.51	0.58	0.68	0.77	0.54	0.61	0.72	0.82	0.93	1.00	1.00	1.00		
PI	2.39	2.40	2.40	2.40	2.54	2.54	2.54	2.55	2.69	2.69	2.69	2.85	2.85	2.85	2.86	2.86		
TC	28407	28445	28477	28516	30116	30151	30186	30221	31882	31923	31964	33728	33771	33807	33848	33890		
S/T	0.48	0.55	0.64	0.73	0.51	0.58	0.68	0.78	0.54	0.62	0.72	0.82	0.94	1.00	1.00	1.00		
PI	2.28	2.28	2.28	2.29	2.41	2.42	2.42	2.42	2.56	2.56	2.57	2.71	2.71	2.72	2.72	2.72		
TC	28476	28514	28546	28585	30189	30224	30259	30294	31955	31996	32037	33801	33844	33880	33921	33963		
S/T	0.48	0.55	0.64	0.73	0.51	0.58	0.68	0.78	0.54	0.62	0.72	0.83	0.94	1.00	1.00	1.00		
PI	2.22	2.22	2.23	2.23	2.35	2.36	2.36	2.36	2.50	2.50	2.50	2.64	2.65	2.65	2.65	2.65		
TC	28600	28639	28671	28709	30321	30356	30391	30426	32087	32128	32169	33933	33976	34012	34053	34095		
S/T	0.49	0.55	0.65	0.74	0.51	0.59	0.69	0.78	0.55	0.62	0.73	0.83	0.95	1.00	1.00	1.00		
PI	2.12	2.12	2.12	2.13	2.25	2.25	2.25	2.25	2.38	2.38	2.39	2.52	2.52	2.53	2.53	2.53		
TC	29508	29548	29581	29621	31286	31321	31356	31391	33052	33093	33134	34898	34941	34977	35018	35060		
S/T	0.49	0.56	0.65	0.74	0.52	0.59	0.69	0.79	0.55	0.63	0.73	0.83	0.95	1.00	1.00	1.00		
PI	2.08	2.08	2.09	2.09	2.21	2.21	2.21	2.22	2.34	2.34	2.35	2.48	2.48	2.48	2.49	2.49		
TC	30809	30850	30885	30927	32668	32703	32738	32773	34434	34475	34516	36280	36323	36359	36400	36442		
S/T	0.49	0.56	0.65	0.75	0.52	0.59	0.69	0.79	0.55	0.63	0.74	0.84	0.96	1.00	1.00	1.00		
PI	2.08	2.08	2.08	2.09	2.20	2.21	2.21	2.21	2.34	2.34	2.34	2.47	2.48	2.48	2.48	2.49		
TC	31408	31450	31485	31528	33304	33339	33374	33410	35071	35111	35152	36916	36959	36995	37037	37078		
S/T	0.49	0.56	0.66	0.75	0.52	0.60	0.70	0.79	0.55	0.63	0.74	0.84	0.96	1.00	1.00	1.00		
PI	2.26	2.26	2.27	2.27	2.40	2.40	2.40	2.41	2.54	2.54	2.55	2.69	2.69	2.70	2.70	2.70		
TC	31747	31790	31826	31868	33665	33700	33735	33770	35431	35472	35513	37277	37320	37356	37397	37439		
S/T	0.50	0.57	0.66	0.75	0.53	0.60	0.70	0.80	0.56	0.63	0.74	0.85	0.96	1.00	1.00	1.00		
PI	2.45	2.46	2.46	2.46	2.60	2.61	2.61	2.61	2.76	2.76	2.76	2.92	2.92	2.93	2.93	2.93		
TC	32269	32313	32349	32393	34220	34255	34290	34325	35986	36027	36068	37832	37875	37911	37952	37994		
S/T	0.50	0.57	0.66	0.76	0.53	0.60	0.70	0.80	0.56	0.64	0.75	0.85	0.97	1.00	1.00	1.00		
PI	2.49	2.49	2.50	2.50	2.64	2.64	2.65	2.65	2.80	2.80	2.80	2.96	2.97	2.97	2.97	2.98		
TC	32792	32836	32873	32917	34775	34810	34845	34880	36541	36582	36623	38387	38430	38466	38507	38549		
S/T	0.50	0.57	0.67	0.76	0.53	0.60	0.71	0.81	0.56	0.64	0.75	0.86	0.97	1.00	1.00	1.00		
PI	2.53	2.53	2.53	2.54	2.68	2.68	2.68	2.69	2.84	2.84	2.84	3.00	3.01	3.01	3.02	3.02		
TC	33314	33359	33396	33441	35330	35365	35400	35435	37096	37137	37178	38942	38985	39021	39062	39104		
S/T	0.51	0.59	0.69	0.78	0.54	0.62	0.73	0.83	0.58	0.66	0.77	0.88	1.00	1.00	1.00	1.00		
PI	2.56	2.56	2.57	2.57	2.72	2.72	2.72	2.72	2.88	2.88	2.88	3.05	3.05	3.05	3.06	3.06		
TC	28575	28614	28646	28685	30295	30330	30365	30400	32061	32102	32143	33906	33950	33986	34027	34068		
S/T	0.52	0.59	0.69	0.79	0.55	0.63	0.74	0.84	0.59	0.67	0.78	0.89	1.00	1.00	1.00	1.00		
PI	2.83	2.83	2.83	2.84	3.00	3.00	3.01	3.01	3.18	3.18	3.19	3.36	3.37	3.37	3.38	3.38		
TC	27884	27921	27953	27990	29560	29595	29630	29665	31326	31367	31407	33171	33214	33251	33292	33333		
S/T	0.53	0.61	0.71	0.81	0.57	0.65	0.75	0.86	0.60	0.68	0.80	0.91	0.64	0.74	0.85	0.97		
PI	2.92	2.92	2.92	2.93	3.09	3.10	3.10	3.10	3.28	3.28	3.29	3.47	3.47	3.48	3.48	3.49		
TC	23789	23821	23848	23880	25208	25243	25278	25314	26975	27015	27056	28820	28863	28899	28941	28982		
S/T	0.56	0.64	0.75	0.85	0.59	0.68	0.79	0.90	0.63	0.72	0.84	0.96	1.00	1.00	1.00	1.00		
PI	2.53	2.53	2.54	2.54	2.68	2.68	2.69	2.69	2.84	2.85	2.85	3.03	3.04	3.04	3.05	3.05		
TC	20334	20361	20384	20412	21537	21572	21607	21642	23303	23344	23385	25149	25192	25228	25269	25311		
S/T	0.57	0.65	0.76	0.86	0.60	0.69	0.80	0.91	0.64	0.73	0.85	0.97	1.00	1.00	1.00	1.00		
PI	2.19	2.20	2.20	2.20	2.33	2.33	2.33	2.33	2.46	2.47	2.47	2.60	2.60	2.61	2.61	2.61		
TC	17410	17433	17453	17476	18430	18465	18500	18535	20196	20237	20278	22042	22085	22121	22162	22204		
S/T	0.59	0.67	0.78	0.89	0.62	0.71	0.83	0.95	0.66	0.75	0.88	1.00	1.00	1.00	1.00	1.00		
PI	1.90	1.91	1.91	1.91	2.02	2.02	2.02	2.02	2.14	2.14	2.14	2.26	2.27	2.27	2.27	2.27		

High

PERFORMANCE DUCTED PLUS NON-DUCTED 24K (Sheet 4 of 4)

AIRFLOW (CFM)	OUTDOOR DB °F	ID WB (°F) ID DB (°F)	60.8				64.4				66.2				71.6			
			73.4	77.0	80.6	84.2	73.4	77.0	80.6	84.2	73.4	77.0	80.6	84.20	73.4	77.0	80.6	84.2
			Turbo	-22	TC	29304	29343	29376	29416	31065	31102	31139	31176	32921	32964	33007	34861	34906
		S/T	0.50	0.57	0.66	0.76	0.53	0.60	0.70	0.80	0.56	0.64	0.74	0.85	0.97	1.00	1.00	1.00
		PI	2.63	2.64	2.64	2.64	2.79	2.79	2.80	2.80	2.96	2.96	2.97	3.13	3.14	3.14	3.14	3.15
	-10	TC	29490	29530	29563	29603	31263	31300	31337	31374	33131	33174	33217	35082	35128	35166	35210	35254
		S/T	0.50	0.57	0.67	0.76	0.53	0.60	0.71	0.81	0.56	0.64	0.75	0.85	0.97	1.00	1.00	1.00
		PI	2.49	2.50	2.50	2.50	2.64	2.65	2.65	2.65	2.80	2.80	2.81	2.97	2.97	2.97	2.98	2.98
	0	TC	29645	29685	29719	29759	31427	31464	31502	31539	33305	33348	33392	35267	35313	35351	35395	35439
		S/T	0.50	0.57	0.67	0.77	0.53	0.61	0.71	0.81	0.57	0.64	0.75	0.86	0.97	1.00	1.00	1.00
		PI	2.38	2.38	2.38	2.38	2.52	2.52	2.52	2.53	2.67	2.67	2.68	2.83	2.83	2.83	2.84	2.84
	5	TC	29723	29763	29796	29837	31509	31547	31584	31622	33392	33436	33479	35359	35405	35444	35488	35532
		S/T	0.50	0.58	0.67	0.77	0.54	0.61	0.71	0.81	0.57	0.65	0.76	0.86	0.97	1.00	1.00	1.00
		PI	2.32	2.32	2.32	2.33	2.46	2.46	2.46	2.46	2.60	2.61	2.61	2.76	2.76	2.76	2.77	2.77
	14	TC	29863	29903	29936	29977	31658	31695	31733	31770	33549	33593	33637	35526	35572	35611	35655	35699
		S/T	0.51	0.58	0.68	0.77	0.54	0.61	0.72	0.82	0.57	0.65	0.76	0.87	0.98	1.00	1.00	1.00
		PI	2.21	2.21	2.22	2.22	2.34	2.35	2.35	2.35	2.48	2.49	2.49	2.63	2.63	2.64	2.64	2.64
	23	TC	30818	30859	30894	30935	32670	32709	32747	32786	34622	34667	34712	36662	36709	36749	36795	36841
		S/T	0.51	0.58	0.68	0.78	0.54	0.62	0.72	0.82	0.57	0.65	0.76	0.87	0.98	1.00	1.00	1.00
		PI	2.18	2.18	2.18	2.19	2.31	2.31	2.32	2.32	2.45	2.45	2.45	2.59	2.59	2.60	2.60	2.60
	32	TC	32180	32223	32260	32303	34114	34155	34195	34236	36153	36200	36247	38282	38332	38374	38422	38469
		S/T	0.51	0.58	0.68	0.78	0.54	0.62	0.72	0.83	0.58	0.66	0.77	0.88	0.98	1.00	1.00	1.00
		PI	2.18	2.18	2.18	2.19	2.31	2.31	2.32	2.32	2.45	2.45	2.45	2.59	2.59	2.60	2.60	2.60
	41	TC	32762	32806	32843	32887	34731	34772	34813	34855	36806	36854	36902	38975	39025	39068	39116	39165
		S/T	0.52	0.59	0.69	0.78	0.55	0.62	0.73	0.83	0.58	0.66	0.77	0.88	0.98	1.00	1.00	1.00
		PI	2.36	2.37	2.37	2.37	2.50	2.51	2.51	2.51	2.65	2.66	2.66	2.81	2.81	2.82	2.82	2.82
	50	TC	33051	33095	33133	33177	35079	35079	35120	35162	37131	37179	37228	39318	39370	39412	39461	39511
		S/T	0.52	0.59	0.69	0.79	0.55	0.63	0.73	0.83	0.58	0.66	0.78	0.88	0.99	1.00	1.00	1.00
		PI	2.56	2.56	2.57	2.57	2.71	2.72	2.72	2.72	2.87	2.88	2.88	3.04	3.05	3.05	3.06	3.06
	59	TC	33535	33580	33618	33663	35550	35592	35635	35677	37675	37724	37773	39894	39946	39989	40039	40089
		S/T	0.52	0.59	0.69	0.79	0.55	0.63	0.74	0.84	0.58	0.67	0.78	0.89	0.99	1.00	1.00	1.00
		PI	2.60	2.60	2.60	2.61	2.75	2.76	2.76	2.76	2.92	2.92	2.93	3.09	3.09	3.10	3.10	3.10
	68	TC	34019	34064	34103	34149	36063	36106	36149	36192	38218	38268	38318	40470	40522	40566	40617	40667
		S/T	0.52	0.60	0.70	0.79	0.55	0.63	0.74	0.84	0.59	0.67	0.78	0.89	0.99	1.00	1.00	1.00
		PI	2.64	2.64	2.64	2.65	2.79	2.80	2.80	2.80	2.96	2.96	2.97	3.13	3.14	3.14	3.15	3.15
	77	TC	34503	34549	34588	34634	36576	36620	36663	36707	38762	38812	38863	41045	41099	41143	41195	41246
		S/T	0.54	0.61	0.72	0.82	0.57	0.65	0.76	0.86	0.60	0.69	0.80	0.92	1.00	1.00	1.00	1.00
		PI	2.67	2.68	2.68	2.68	2.83	2.84	2.84	2.84	3.00	3.01	3.01	3.18	3.18	3.19	3.19	3.20
	86	TC	29847	29887	29921	29961	31641	31679	31716	31754	33532	33575	33619	35507	35553	35592	35636	35681
		S/T	0.54	0.62	0.72	0.83	0.58	0.66	0.77	0.88	0.61	0.70	0.81	0.93	1.00	1.00	1.00	1.00
		PI	2.95	2.96	2.96	2.96	3.13	3.13	3.14	3.14	3.32	3.32	3.33	3.51	3.52	3.52	3.52	3.53
	95	TC	29145	29184	29217	29256	30897	30933	30970	31007	32743	32786	32828	34672	34717	34755	34798	34841
		S/T	0.56	0.64	0.74	0.85	0.59	0.67	0.79	0.90	0.63	0.71	0.84	0.95	1.00	1.00	1.00	1.00
		PI	3.05	3.05	3.05	3.06	3.23	3.23	3.24	3.24	3.42	3.43	3.43	3.62	3.63	3.63	3.64	3.64
	104	TC	25161	25194	25223	25257	26673	26704	26736	26768	28267	28303	28340	29932	29971	30003	30041	30078
		S/T	0.59	0.67	0.78	0.89	0.62	0.71	0.83	0.94	0.66	0.74	0.88	0.98	1.00	1.00	1.00	1.00
		PI	2.64	2.65	2.65	2.65	2.80	2.80	2.81	2.81	2.97	2.97	2.98	3.14	3.15	3.15	3.15	3.16
	115	TC	21792	21821	21846	21875	23102	23129	23157	23184	24482	24514	24546	25925	25958	25987	26019	26051
		S/T	0.59	0.68	0.79	0.90	0.63	0.72	0.84	0.95	0.67	0.74	0.89	0.99	1.00	1.00	1.00	1.00
		PI	2.29	2.30	2.30	2.30	2.43	2.43	2.44	2.44	2.58	2.58	2.58	2.73	2.73	2.74	2.74	
	122	TC	18936	18961	18982	19008	20074	20098	20121	20145	21273	21301	21329	22527	22556	22580	22608	22637
		S/T	0.61	0.70	0.82	0.93	0.65	0.73	0.87	0.98	0.69	0.75	0.92	1.00	1.00	1.00	1.00	1.00
		PI	1.99	1.99	1.99	2.00	2.11	2.11	2.11	2.12	2.23	2.24	2.24	2.37	2.37	2.37	2.38	2.38

NOTE: Data highlighted in gray is extrapolated data and not actual test data. At 77°F outdoor conditions sweat protection activates causing a decrease in total capacity.

LEGEND

- TC - Total Net Capacity (Btu/hour)
- S/T: Sensible Cooling Capacity Ratio
- PI: Power Input (kW)
- Extrapolated Data

COOLING PERFORMANCE DUCTED PLUS NON-DUCTED

COOLING PERFORMANCE 30K

PERFORMANCE DUCTED PLUS NON-DUCTED 30K (Sheet 1 of 4)

AIRFLOW (CFM)	OUTDOOR DB°F)	ID WB (°F)	60.8				64.4				66.2				71.6			
		ID WB (°F)	73.4	77.0	80.6	84.2	73.4	77.0	80.6	84.2	73.4	77.0	80.6	84.20	73.4	77.0	80.6	84.2
Low	-22	TC	17623	17647	17666	17690	18682	18704	18726	18749	19799	19824	19850	20889	20914	20935	20960	20984
		S/T	0.21	0.24	0.28	0.32	0.22	0.25	0.30	0.34	0.24	0.27	0.32	0.36	0.41	0.47	0.53	0.61
		PI	1.35	1.36	1.36	1.36	1.44	1.44	1.44	1.44	1.52	1.52	1.53	1.61	1.61	1.62	1.62	1.62
	-10	TC	17586	17610	17630	17653	18643	18665	18687	18709	19757	19783	19809	20847	20873	20894	20918	20943
		S/T	0.21	0.24	0.28	0.32	0.23	0.26	0.30	0.34	0.24	0.27	0.32	0.36	0.41	0.47	0.54	0.61
		PI	1.38	1.38	1.38	1.38	1.46	1.46	1.46	1.46	1.55	1.55	1.55	1.64	1.64	1.64	1.64	1.64
	0	TC	17555	17579	17599	17622	18611	18633	18655	18677	19723	19748	19774	20813	20838	20859	20884	20908
		S/T	0.21	0.24	0.28	0.32	0.23	0.26	0.30	0.34	0.24	0.27	0.32	0.36	0.42	0.47	0.54	0.62
		PI	1.39	1.39	1.40	1.40	1.48	1.48	1.48	1.48	1.56	1.57	1.57	1.66	1.66	1.66	1.66	1.66
	5	TC	17540	17564	17583	17607	18594	18616	18638	18660	19705	19731	19757	20795	20821	20842	20866	20891
		S/T	0.21	0.24	0.29	0.33	0.23	0.26	0.30	0.35	0.24	0.27	0.32	0.37	0.42	0.48	0.54	0.62
		PI	1.40	1.40	1.40	1.41	1.49	1.49	1.49	1.49	1.57	1.58	1.58	1.67	1.67	1.67	1.67	1.67
	14	TC	17512	17536	17556	17579	18565	18587	18609	18631	19674	19700	19726	20764	20790	20811	20835	20860
		S/T	0.22	0.25	0.29	0.33	0.23	0.26	0.30	0.35	0.24	0.28	0.32	0.37	0.42	0.48	0.54	0.62
		PI	1.42	1.42	1.42	1.42	1.50	1.50	1.51	1.51	1.59	1.59	1.60	1.69	1.69	1.69	1.69	1.69
	23	TC	18015	18039	18059	18084	19097	19120	19143	19165	20239	20265	20291	21330	21355	21377	21401	21425
		S/T	0.22	0.25	0.29	0.33	0.23	0.26	0.31	0.35	0.24	0.28	0.32	0.37	0.42	0.48	0.55	0.62
		PI	1.37	1.38	1.38	1.38	1.46	1.46	1.46	1.46	1.54	1.55	1.55	1.64	1.64	1.64	1.64	1.64
	32	TC	18782	18807	18828	18854	19911	19934	19958	19982	21101	21128	21155	22194	22220	22241	22265	22290
		S/T	0.22	0.25	0.29	0.33	0.23	0.26	0.31	0.35	0.24	0.28	0.33	0.37	0.42	0.48	0.55	0.63
		PI	1.30	1.31	1.31	1.31	1.38	1.38	1.39	1.39	1.47	1.47	1.47	1.55	1.55	1.56	1.56	1.56
	41	TC	18240	18264	18285	18309	19336	19359	19382	19405	20491	20518	20545	21583	21609	21630	21654	21679
		S/T	0.22	0.25	0.29	0.33	0.23	0.26	0.31	0.35	0.25	0.28	0.33	0.37	0.43	0.48	0.55	0.63
		PI	1.27	1.27	1.27	1.27	1.35	1.35	1.35	1.35	1.43	1.43	1.43	1.51	1.51	1.51	1.52	1.52
	50	TC	17587	17611	17631	17654	18644	18666	18688	18711	19758	19784	19810	20848	20874	20895	20919	20944
		S/T	0.22	0.25	0.29	0.33	0.23	0.27	0.31	0.35	0.25	0.28	0.33	0.38	0.43	0.49	0.56	0.63
		PI	1.27	1.28	1.28	1.28	1.35	1.35	1.35	1.36	1.43	1.43	1.44	1.52	1.52	1.52	1.52	1.52
	59	TC	18024	18048	18068	18093	19107	19130	19153	19175	20249	20275	20302	21340	21366	21387	21411	21436
		S/T	0.22	0.25	0.29	0.34	0.23	0.27	0.31	0.36	0.25	0.28	0.33	0.38	0.43	0.49	0.56	0.64
		PI	1.33	1.33	1.33	1.33	1.41	1.41	1.41	1.41	1.49	1.49	1.50	1.58	1.58	1.58	1.59	1.59
	68	TC	18461	18486	18506	18531	19570	19594	19617	19640	20740	20767	20794	21833	21858	21879	21904	21928
		S/T	0.22	0.25	0.30	0.34	0.24	0.27	0.31	0.36	0.25	0.28	0.33	0.38	0.43	0.49	0.56	0.64
		PI	1.38	1.38	1.38	1.39	1.46	1.47	1.47	1.47	1.55	1.55	1.56	1.64	1.65	1.65	1.65	1.65
	77	TC	18898	18923	18944	18970	20034	20057	20081	20105	21231	21258	21286	22325	22350	22371	22396	22420
		S/T	0.23	0.26	0.30	0.35	0.24	0.28	0.32	0.37	0.26	0.29	0.34	0.39	0.44	0.51	0.58	0.66
		PI	1.43	1.44	1.44	1.44	1.52	1.52	1.52	1.53	1.61	1.61	1.62	1.71	1.71	1.71	1.71	1.71
	86	TC	16612	16634	16653	16675	17610	17631	17652	17673	18663	18687	18711	19750	19775	19797	19821	19846
		S/T	0.23	0.26	0.31	0.35	0.24	0.28	0.33	0.37	0.26	0.30	0.35	0.39	0.45	0.51	0.58	0.67
		PI	1.57	1.57	1.57	1.57	1.66	1.66	1.66	1.67	1.76	1.76	1.76	1.86	1.87	1.87	1.87	1.87
	95	TC	16421	16443	16461	16483	17408	17428	17449	17470	18448	18472	18496	19534	19560	19581	19605	19630
		S/T	0.24	0.27	0.32	0.36	0.25	0.29	0.33	0.38	0.27	0.30	0.35	0.40	0.46	0.53	0.60	0.68
		PI	1.64	1.64	1.64	1.64	1.74	1.74	1.74	1.74	1.84	1.84	1.84	1.95	1.95	1.95	1.95	1.96
	104	TC	13784	13803	13818	13837	14613	14630	14647	14665	15486	15506	15526	16565	16590	16612	16636	16660
		S/T	0.25	0.28	0.33	0.38	0.26	0.30	0.35	0.40	0.28	0.32	0.37	0.42	0.48	0.55	0.63	0.72
		PI	1.45	1.45	1.45	1.45	1.53	1.53	1.54	1.54	1.62	1.63	1.63	1.73	1.73	1.74	1.74	1.74
	115	TC	11581	11597	11610	11626	12277	12292	12306	12321	13011	13028	13045	14084	14109	14130	14155	14179
		S/T	0.25	0.29	0.34	0.38	0.27	0.30	0.36	0.41	0.28	0.32	0.38	0.43	0.49	0.56	0.64	0.73
		PI	1.28	1.28	1.28	1.28	1.35	1.36	1.36	1.36	1.44	1.44	1.44	1.52	1.52	1.52	1.52	1.53
122	TC	9739	9752	9763	9776	10324	10336	10349	10361	10941	10955	10970	12527	12566	12597	12634	12671	
	S/T	0.26	0.30	0.35	0.40	0.28	0.31	0.37	0.42	0.29	0.33	0.39	0.44	0.51	0.58	0.66	0.75	
	PI	1.13	1.13	1.13	1.14	1.20	1.20	1.20	1.20	1.27	1.27	1.27	1.35	1.35	1.35	1.35	1.35	

PERFORMANCE DUCTED PLUS NON-DUCTED 30K (Sheet 2 of 4)

AIRFLOW (CFM)	OUTDOOR DB°F)	ID WB (°F)	60.8				64.4				66.2				71.6			
		ID WB (°F)	73.4	77.0	80.6	84.2	73.4	77.0	80.6	84.2	73.4	77.0	80.6	84.20	73.4	77.0	80.6	84.2
		TC	S/T	PI	TC	S/T	PI	TC	S/T	PI	TC	S/T	PI	TC	S/T	PI	TC	S/T
Med	-22	TC	25524	25558	25587	25621	27063	27092	27122	27152	28551	28585	28619	30105	30142	30172	30207	30242
		S/T	0.32	0.36	0.42	0.48	0.34	0.38	0.45	0.51	0.36	0.41	0.47	0.54	0.62	0.70	0.80	0.91
		PI	2.02	2.02	2.03	2.03	2.14	2.15	2.15	2.15	2.27	2.27	2.28	2.41	2.41	2.41	2.41	2.42
	-10	TC	25339	25373	25402	25436	26867	26896	26926	26955	28354	28389	28423	29909	29945	29976	30010	30045
		S/T	0.32	0.36	0.43	0.48	0.34	0.39	0.45	0.51	0.36	0.41	0.48	0.54	0.62	0.71	0.81	0.92
		PI	2.05	2.06	2.06	2.06	2.18	2.18	2.18	2.19	2.31	2.31	2.31	2.44	2.45	2.45	2.45	2.46
	0	TC	25185	25219	25247	25281	26703	26732	26762	26792	28191	28225	28259	29745	29782	29812	29847	29882
		S/T	0.32	0.37	0.43	0.49	0.34	0.39	0.45	0.52	0.36	0.41	0.48	0.55	0.62	0.71	0.81	0.93
		PI	2.08	2.08	2.09	2.09	2.21	2.21	2.21	2.21	2.34	2.34	2.34	2.48	2.48	2.48	2.48	2.49
	5	TC	25108	25142	25170	25204	26621	26651	26680	26710	28109	28143	28178	29663	29700	29730	29765	29800
		S/T	0.32	0.37	0.43	0.49	0.34	0.39	0.45	0.52	0.36	0.41	0.48	0.55	0.63	0.71	0.81	0.93
		PI	2.09	2.10	2.10	2.10	2.22	2.22	2.23	2.23	2.35	2.36	2.36	2.49	2.50	2.50	2.50	2.50
	14	TC	24969	25003	25031	25065	26474	26503	26533	26563	27962	27996	28030	29516	29552	29583	29618	29653
		S/T	0.32	0.37	0.43	0.49	0.34	0.39	0.46	0.52	0.36	0.41	0.48	0.55	0.63	0.72	0.82	0.93
		PI	2.12	2.12	2.12	2.13	2.25	2.25	2.25	2.25	2.38	2.38	2.39	2.52	2.52	2.53	2.53	2.53
	23	TC	25757	25791	25820	25855	27311	27340	27370	27399	28798	28833	28867	30353	30389	30419	30454	30489
		S/T	0.32	0.37	0.43	0.49	0.34	0.39	0.46	0.52	0.37	0.42	0.49	0.55	0.63	0.72	0.82	0.94
		PI	2.06	2.06	2.06	2.06	2.18	2.18	2.18	2.19	2.31	2.31	2.32	2.45	2.45	2.45	2.45	2.46
	32	TC	27007	27043	27074	27110	28639	28669	28698	28728	30127	30161	30196	31681	31718	31748	31783	31818
		S/T	0.33	0.37	0.44	0.50	0.35	0.39	0.46	0.53	0.37	0.42	0.49	0.56	0.64	0.72	0.83	0.94
		PI	1.95	1.95	1.95	1.96	2.07	2.07	2.07	2.07	2.19	2.19	2.19	2.32	2.32	2.32	2.33	2.33
	41	TC	26191	26226	26255	26291	27772	27801	27831	27860	29259	29294	29328	30814	30850	30880	30915	30950
		S/T	0.33	0.37	0.44	0.50	0.35	0.40	0.46	0.53	0.37	0.42	0.49	0.56	0.64	0.73	0.83	0.95
		PI	1.89	1.90	1.90	1.90	2.01	2.01	2.01	2.02	2.13	2.13	2.13	2.25	2.26	2.26	2.26	2.26
	50	TC	25164	25198	25226	25260	26681	26710	26740	26770	28169	28203	28237	29723	29759	29790	29825	29860
		S/T	0.33	0.38	0.44	0.50	0.35	0.40	0.47	0.53	0.37	0.42	0.49	0.56	0.64	0.73	0.83	0.95
		PI	1.90	1.91	1.91	1.91	2.02	2.02	2.02	2.02	2.14	2.14	2.14	2.26	2.27	2.27	2.27	2.28
	59	TC	25785	25820	25849	25883	27340	27370	27399	27429	28828	28863	28897	30383	30419	30449	30484	30519
		S/T	0.33	0.38	0.44	0.50	0.35	0.40	0.47	0.53	0.37	0.42	0.50	0.57	0.65	0.74	0.84	0.96
		PI	1.98	1.99	1.99	1.99	2.10	2.11	2.11	2.11	2.23	2.23	2.23	2.36	2.36	2.37	2.37	2.37
	68	TC	26405	26441	26471	26506	28000	28029	28059	28089	29488	29522	29556	31042	31078	31109	31144	31179
		S/T	0.33	0.38	0.44	0.51	0.35	0.40	0.47	0.54	0.37	0.43	0.50	0.57	0.65	0.74	0.84	0.96
		PI	2.06	2.07	2.07	2.07	2.19	2.19	2.19	2.20	2.32	2.32	2.32	2.46	2.46	2.46	2.46	2.47
	77	TC	27026	27062	27093	27129	28659	28689	28718	28748	30147	30181	30216	31702	31738	31768	31803	31838
		S/T	0.34	0.39	0.46	0.52	0.36	0.41	0.48	0.55	0.38	0.44	0.51	0.58	0.67	0.76	0.87	0.99
		PI	2.14	2.15	2.15	2.15	2.27	2.28	2.28	2.28	2.41	2.41	2.42	2.55	2.55	2.56	2.56	2.56
	86	TC	23762	23794	23821	23853	25191	25221	25250	25280	26679	26713	26748	28234	28270	28300	28335	28370
		S/T	0.35	0.40	0.46	0.53	0.37	0.42	0.49	0.56	0.39	0.44	0.52	0.59	0.67	0.77	0.88	0.99
		PI	2.34	2.34	2.35	2.35	2.48	2.48	2.49	2.49	2.63	2.63	2.64	2.78	2.79	2.79	2.79	2.80
	95	TC	23487	23518	23545	23576	24898	24928	24957	24987	26386	26420	26455	27941	27977	28007	28042	28077
		S/T	0.36	0.41	0.47	0.54	0.38	0.43	0.50	0.57	0.40	0.46	0.53	0.61	0.69	0.79	0.90	1.00
		PI	2.45	2.45	2.45	2.46	2.59	2.60	2.60	2.60	2.75	2.75	2.76	2.91	2.92	2.92	2.92	2.93
	104	TC	19418	19444	19466	19492	20575	20604	20634	20663	22063	22097	22131	23617	23653	23684	23719	23754
		S/T	0.37	0.43	0.50	0.57	0.40	0.45	0.53	0.60	0.42	0.48	0.56	0.64	0.73	0.83	0.94	1.00
		PI	2.16	2.16	2.17	2.17	2.29	2.29	2.30	2.30	2.43	2.43	2.43	2.59	2.59	2.60	2.60	2.60
	115	TC	16030	16051	16070	16091	16975	17004	17034	17063	18462	18497	18531	20017	20053	20084	20118	20153
		S/T	0.38	0.43	0.50	0.57	0.40	0.46	0.53	0.61	0.42	0.48	0.57	0.64	0.74	0.84	0.96	1.00
		PI	1.91	1.91	1.91	1.92	2.02	2.03	2.03	2.03	2.14	2.15	2.15	2.26	2.27	2.27	2.28	2.28
122	TC	12499	12516	12530	12547	13193	13237	13282	13326	15428	15479	15531	17762	17817	17862	17915	17967	
	S/T	0.39	0.45	0.52	0.59	0.41	0.47	0.55	0.63	0.44	0.50	0.59	0.67	0.76	0.87	0.99	1.00	
	PI	1.69	1.69	1.69	1.70	1.79	1.79	1.80	1.80	1.90	1.90	1.90	2.01	2.01	2.01	2.02	2.02	

PERFORMANCE DUCTED PLUS NON-DUCTED 30K (Sheet 3 of 4)

AIRFLOW (CFM)	OUTDOOR DB°F	ID WB (°F)	60.8				64.4				66.2				71.6				
		ID WB (°F)	73.4	77.0	80.6	84.2	73.4	77.0	80.6	84.2	73.4	77.0	80.6	84.20	73.4	77.0	80.6	84.2	
		High																	
-22	TC	38369	38421	38464	38516	40683	40728	40772	40817	42918	42969	43021	45252	45307	45353	45405	45457		
	S/T	0.48	0.54	0.63	0.72	0.50	0.58	0.67	0.77	0.53	0.61	0.71	0.81	0.93	1.00	1.00	1.00		
	PI	3.03	3.04	3.04	3.04	3.22	3.22	3.22	3.23	3.41	3.41	3.42	3.61	3.61	3.62	3.62	3.63		
-10	TC	38071	38122	38165	38216	40366	40410	40455	40499	42601	42652	42704	44935	44990	45035	45088	45140		
	S/T	0.48	0.55	0.64	0.73	0.51	0.58	0.68	0.77	0.54	0.61	0.72	0.82	0.93	1.00	1.00	1.00		
	PI	3.08	3.09	3.09	3.10	3.27	3.27	3.28	3.28	3.46	3.47	3.47	3.67	3.67	3.68	3.68	3.69		
0	TC	37822	37873	37915	37966	40102	40146	40190	40235	42336	42388	42439	44671	44725	44771	44823	44876		
	S/T	0.48	0.55	0.64	0.73	0.51	0.58	0.68	0.78	0.54	0.62	0.72	0.82	0.94	1.00	1.00	1.00		
	PI	3.13	3.13	3.13	3.14	3.31	3.32	3.32	3.33	3.51	3.52	3.52	3.72	3.72	3.73	3.73	3.74		
5	TC	37698	37748	37791	37842	39969	40014	40058	40103	42204	42255	42307	44538	44593	44639	44691	44744		
	S/T	0.48	0.55	0.64	0.73	0.51	0.58	0.68	0.78	0.54	0.62	0.72	0.83	0.94	1.00	1.00	1.00		
	PI	3.15	3.15	3.16	3.16	3.34	3.34	3.34	3.35	3.54	3.54	3.55	3.74	3.75	3.75	3.76	3.76		
14	TC	37474	37524	37566	37617	39731	39776	39820	39865	41966	42017	42069	44300	44355	44401	44453	44506		
	S/T	0.49	0.55	0.65	0.74	0.51	0.59	0.69	0.78	0.55	0.62	0.73	0.83	0.95	1.00	1.00	1.00		
	PI	3.19	3.19	3.19	3.20	3.38	3.38	3.38	3.39	3.58	3.58	3.59	3.79	3.79	3.80	3.80	3.81		
23	TC	38660	38712	38756	38808	40992	41037	41081	41126	43227	43279	43330	45562	45616	45662	45714	45767		
	S/T	0.49	0.56	0.65	0.74	0.52	0.59	0.69	0.79	0.55	0.63	0.73	0.83	0.95	1.00	1.00	1.00		
	PI	3.09	3.09	3.10	3.10	3.27	3.28	3.28	3.29	3.47	3.47	3.48	3.67	3.68	3.68	3.69	3.69		
32	TC	40552	40607	40652	40707	43003	43047	43092	43136	45238	45289	45341	47572	47627	47672	47725	47777		
	S/T	0.49	0.56	0.65	0.75	0.52	0.59	0.69	0.79	0.55	0.63	0.74	0.84	0.96	1.00	1.00	1.00		
	PI	2.92	2.93	2.93	2.94	3.10	3.10	3.11	3.11	3.29	3.29	3.29	3.48	3.48	3.49	3.49	3.50		
41	TC	39327	39380	39424	39477	41701	41745	41790	41834	43936	43987	44039	46270	46325	46370	46423	46475		
	S/T	0.49	0.56	0.66	0.75	0.52	0.60	0.70	0.79	0.55	0.63	0.74	0.84	0.96	1.00	1.00	1.00		
	PI	2.84	2.85	2.85	2.85	3.01	3.02	3.02	3.02	3.19	3.20	3.20	3.38	3.39	3.39	3.39	3.40		
50	TC	37780	37830	37873	37924	40057	40101	40145	40190	42291	42343	42394	44626	44680	44726	44778	44831		
	S/T	0.50	0.57	0.66	0.75	0.53	0.60	0.70	0.80	0.56	0.63	0.74	0.85	0.96	1.00	1.00	1.00		
	PI	2.86	2.86	2.86	2.87	3.03	3.03	3.03	3.04	3.21	3.21	3.22	3.40	3.40	3.41	3.41	3.41		
59	TC	38705	38757	38800	38853	41040	41084	41128	41173	43274	43326	43377	45609	45663	45709	45761	45814		
	S/T	0.50	0.57	0.66	0.76	0.53	0.60	0.70	0.80	0.56	0.64	0.75	0.85	0.97	1.00	1.00	1.00		
	PI	2.98	2.98	2.99	2.99	3.16	3.16	3.16	3.17	3.35	3.35	3.35	3.54	3.55	3.55	3.56	3.56		
68	TC	39630	39683	39728	39782	42023	42067	42112	42156	44258	44309	44361	46592	46647	46692	46745	46797		
	S/T	0.50	0.57	0.67	0.76	0.53	0.60	0.71	0.81	0.56	0.64	0.75	0.86	0.97	1.00	1.00	1.00		
	PI	3.10	3.10	3.11	3.11	3.29	3.29	3.29	3.30	3.48	3.49	3.49	3.69	3.69	3.70	3.70	3.71		
77	TC	40555	40610	40656	40710	43006	43050	43095	43139	45241	45292	45344	47575	47630	47676	47728	47780		
	S/T	0.51	0.59	0.69	0.78	0.54	0.62	0.73	0.83	0.58	0.66	0.77	0.88	1.00	1.00	1.00	1.00		
	PI	3.22	3.23	3.23	3.23	3.42	3.42	3.42	3.43	3.62	3.62	3.63	3.83	3.84	3.84	3.85	3.85		
86	TC	35687	35735	35775	35823	37833	37877	37921	37966	40067	40119	40170	42402	42456	42502	42554	42607		
	S/T	0.52	0.59	0.69	0.79	0.55	0.63	0.74	0.84	0.59	0.67	0.78	0.89	1.00	1.00	1.00	1.00		
	PI	3.52	3.52	3.53	3.53	3.73	3.73	3.74	3.74	3.95	3.96	3.96	4.18	4.19	4.19	4.20	4.20		
95	TC	35275	35322	35362	35410	37395	37439	37484	37528	39630	39681	39733	41964	42019	42064	42117	42169		
	S/T	0.53	0.61	0.71	0.81	0.57	0.65	0.75	0.86	0.60	0.68	0.80	0.91	0.64	0.74	0.85	0.97		
	PI	3.68	3.68	3.69	3.69	3.90	3.90	3.91	3.91	4.13	4.14	4.14	4.38	4.38	4.39	4.39	4.40		
104	TC	29152	29192	29224	29264	30889	30933	30978	31022	33124	33175	33227	35458	35513	35558	35611	35663		
	S/T	0.56	0.64	0.75	0.85	0.59	0.68	0.79	0.90	0.63	0.72	0.84	0.96	1.00	1.00	1.00	1.00		
	PI	3.25	3.25	3.25	3.26	3.44	3.44	3.45	3.45	3.65	3.65	3.66	3.89	3.89	3.90	3.90	3.91		
115	TC	24056	24088	24115	24148	25474	25518	25562	25607	27708	27760	27811	30043	30097	30143	30195	30248		
	S/T	0.57	0.65	0.76	0.86	0.60	0.69	0.80	0.91	0.64	0.73	0.85	0.97	1.00	1.00	1.00	1.00		
	PI	2.87	2.87	2.87	2.88	3.04	3.04	3.05	3.05	3.22	3.22	3.23	3.40	3.41	3.41	3.42	3.42		
122	TC	19810	19837	19859	19886	20962	21006	21050	21095	23196	23248	23299	25531	25585	25631	25683	25736		
	S/T	0.59	0.67	0.78	0.89	0.62	0.71	0.83	0.95	0.66	0.75	0.88	1.00	1.00	1.00	1.00	1.00		
	PI	2.54	2.54	2.54	2.54	2.69	2.69	2.69	2.70	2.85	2.85	2.86	3.02	3.02	3.02	3.03	3.03		

PERFORMANCE DUCTED PLUS NON-DUCTED 30K (Sheet 4 of 4)

AIRFLOW (CFM)	OUTDOOR DB°F)	ID WB (°F)	60.8				64.4				66.2				71.6			
		ID WB (°F)	73.4	77.0	80.6	84.2	73.4	77.0	80.6	84.2	73.4	77.0	80.6	84.20	73.4	77.0	80.6	84.2
		Turbo	-22	TC	39829	39883	39927	39981	42223	42273	42323	42373	44746	44804	44862	47382	47443	47495
		S/T	0.50	0.57	0.66	0.76	0.53	0.60	0.70	0.80	0.56	0.64	0.74	0.85	0.97	1.00	1.00	1.00
		PI	3.18	3.19	3.19	3.19	3.37	3.38	3.38	3.39	3.57	3.58	3.58	3.79	3.79	3.79	3.80	3.80
	-10	TC	39596	39649	39694	39747	41976	42026	42075	42125	44484	44542	44600	47105	47166	47217	47276	47335
		S/T	0.50	0.57	0.67	0.76	0.53	0.60	0.71	0.81	0.56	0.64	0.75	0.85	0.97	1.00	1.00	1.00
		PI	3.23	3.23	3.24	3.24	3.42	3.43	3.43	3.43	3.63	3.63	3.64	3.84	3.85	3.85	3.85	3.86
	0	TC	39402	39455	39499	39553	41770	41820	41869	41919	44266	44324	44381	46874	46935	46986	47044	47103
		S/T	0.50	0.57	0.67	0.77	0.53	0.61	0.71	0.81	0.57	0.64	0.75	0.86	0.97	1.00	1.00	1.00
		PI	3.27	3.27	3.28	3.28	3.46	3.47	3.47	3.48	3.67	3.68	3.68	3.89	3.89	3.90	3.90	3.91
	5	TC	39305	39358	39402	39455	41667	41717	41766	41816	44157	44215	44272	46758	46819	46870	46928	46987
		S/T	0.50	0.58	0.67	0.77	0.54	0.61	0.71	0.81	0.57	0.65	0.76	0.86	0.97	1.00	1.00	1.00
		PI	3.29	3.29	3.29	3.30	3.48	3.49	3.49	3.50	3.69	3.70	3.70	3.91	3.91	3.92	3.92	3.93
	14	TC	39130	39183	39227	39280	41482	41531	41581	41630	43961	44018	44075	46551	46611	46662	46720	46778
		S/T	0.51	0.58	0.68	0.77	0.54	0.61	0.72	0.82	0.57	0.65	0.76	0.87	0.98	1.00	1.00	1.00
		PI	3.32	3.33	3.33	3.33	3.52	3.53	3.53	3.53	3.73	3.74	3.74	3.95	3.96	3.96	3.97	3.97
	23	TC	40288	40343	40388	40442	42710	42760	42811	42862	45262	45321	45380	47928	47991	48043	48103	48163
		S/T	0.51	0.58	0.68	0.78	0.54	0.62	0.72	0.82	0.57	0.65	0.76	0.87	0.98	1.00	1.00	1.00
		PI	3.22	3.23	3.23	3.24	3.42	3.42	3.43	3.43	3.62	3.63	3.63	3.84	3.84	3.84	3.85	3.85
	32	TC	42113	42170	42217	42274	44644	44697	44750	44803	47312	47373	47435	50099	50164	50219	50281	50344
		S/T	0.51	0.58	0.68	0.78	0.54	0.62	0.72	0.83	0.58	0.66	0.77	0.88	0.98	1.00	1.00	1.00
		PI	3.06	3.07	3.07	3.07	3.25	3.25	3.25	3.26	3.44	3.44	3.45	3.64	3.65	3.65	3.65	3.66
	41	TC	40902	40957	41003	41058	43360	43411	43463	43514	45951	46011	46071	48658	48721	48774	48835	48896
		S/T	0.52	0.59	0.69	0.78	0.55	0.62	0.73	0.83	0.58	0.66	0.77	0.88	0.98	1.00	1.00	1.00
		PI	2.98	2.98	2.99	2.99	3.16	3.16	3.17	3.17	3.35	3.35	3.36	3.55	3.55	3.55	3.56	3.56
	50	TC	39393	39446	39490	39544	41761	41810	41860	41909	44256	44314	44371	46863	46924	46975	47034	47092
		S/T	0.52	0.59	0.69	0.79	0.55	0.63	0.73	0.83	0.58	0.66	0.78	0.88	0.99	1.00	1.00	1.00
		PI	2.99	3.00	3.00	3.01	3.17	3.18	3.18	3.19	3.36	3.37	3.37	3.56	3.57	3.57	3.58	3.58
	59	TC	40326	40380	40425	40480	42749	42800	42851	42902	45304	45363	45422	47973	48035	48087	48147	48207
		S/T	0.52	0.59	0.69	0.79	0.55	0.63	0.74	0.84	0.58	0.67	0.78	0.89	0.99	1.00	1.00	1.00
		PI	3.12	3.12	3.13	3.13	3.31	3.31	3.31	3.32	3.50	3.51	3.51	3.71	3.71	3.72	3.72	3.73
	68	TC	41258	41314	41360	41416	43738	43790	43842	43894	46352	46412	46472	49082	49146	49199	49260	49322
		S/T	0.52	0.60	0.70	0.79	0.55	0.63	0.74	0.84	0.59	0.67	0.78	0.89	0.99	1.00	1.00	1.00
		PI	3.24	3.25	3.25	3.25	3.44	3.44	3.44	3.45	3.64	3.65	3.65	3.86	3.86	3.87	3.87	3.87
	77	TC	42191	42247	42295	42352	44727	44779	44833	44886	47399	47461	47523	50191	50257	50311	50374	50437
		S/T	0.54	0.61	0.72	0.82	0.57	0.65	0.76	0.86	0.60	0.69	0.80	0.92	1.00	1.00	1.00	1.00
		PI	3.36	3.37	3.37	3.38	3.57	3.57	3.58	3.58	3.78	3.78	3.79	4.00	4.01	4.01	4.02	4.02
	86	TC	37292	37342	37384	37435	39534	39580	39627	39674	41896	41950	42005	44364	44422	44475	44525	44581
		S/T	0.54	0.62	0.72	0.83	0.58	0.66	0.77	0.88	0.61	0.70	0.81	0.93	1.00	1.00	1.00	1.00
		PI	3.67	3.68	3.68	3.69	3.89	3.90	3.90	3.91	4.13	4.13	4.14	4.37	4.38	4.38	4.39	4.39
	95	TC	36879	36929	36970	37020	39096	39142	39188	39235	41432	41486	41540	43873	43930	43977	44032	44087
		S/T	0.56	0.64	0.74	0.85	0.59	0.67	0.79	0.90	0.63	0.71	0.84	0.95	1.00	1.00	1.00	1.00
		PI	3.84	3.84	3.85	3.85	4.07	4.08	4.08	4.08	4.31	4.32	4.32	4.57	4.57	4.58	4.58	4.59
	104	TC	30875	30916	30951	30993	32730	32769	32808	32847	34686	34731	34776	36730	36777	36817	36863	36909
		S/T	0.59	0.67	0.78	0.89	0.62	0.71	0.83	0.94	0.66	0.74	0.88	0.98	1.00	1.00	1.00	1.00
		PI	3.39	3.40	3.40	3.40	3.60	3.60	3.60	3.61	3.81	3.82	3.82	4.04	4.04	4.04	4.05	4.05
	115	TC	25871	25906	25935	25970	27426	27459	27491	27524	29065	29103	29141	30777	30817	30851	30889	30927
		S/T	0.59	0.68	0.79	0.90	0.63	0.72	0.84	0.95	0.67	0.74	0.89	0.99	1.00	1.00	1.00	1.00
		PI	3.00	3.00	3.01	3.01	3.18	3.18	3.19	3.19	3.37	3.37	3.38	3.57	3.57	3.58	3.59	
	122	TC	21698	21727	21751	21781	23002	23029	23057	23084	24377	24408	24440	25812	25846	25874	25906	25939
		S/T	0.61	0.70	0.82	0.93	0.65	0.73	0.87	0.98	0.69	0.75	0.92	1.00	1.00	1.00	1.00	1.00
		PI	2.66	2.66	2.66	2.67	2.82	2.82	2.82	2.83	2.98	2.99	2.99	3.16	3.16	3.17	3.17	3.18

NOTE: Data highlighted in gray is extrapolated data and not actual test data. At 77°F outdoor conditions sweat protection activates causing a decrease in total capacity.

LEGEND

- TC - Total Net Capacity (Btu/hour)
- S/T: Sensible Cooling Capacity Ratio
- PI: Power Input (kW)
- Extrapolated Data

COOLING PERFORMANCE DUCTED PLUS NON-DUCTED

COOLING PERFORMANCE 36K

PERFORMANCE DUCTED PLUS NON-DUCTED 36K (Sheet 1 of 4)

AIRFLOW (CFM)	OUTDOOR DB(°F)	ID WB (°F)	60.8				64.4				66.2				71.6			
		ID WB (°F)	73.4	77.0	80.6	84.2	73.4	77.0	80.6	84.2	73.4	77.0	80.6	84.20	73.4	77.0	80.6	84.2
Low	-22	TC	16876	16898	16917	16940	17890	17911	17932	17954	18959	18983	19008	20066	20092	20114	20139	20163
		S/T	0.21	0.24	0.28	0.32	0.22	0.25	0.30	0.34	0.24	0.27	0.32	0.36	0.41	0.47	0.53	0.61
		PI	1.62	1.63	1.63	1.63	1.72	1.72	1.73	1.73	1.83	1.83	1.83	1.93	1.94	1.94	1.94	1.94
	-10	TC	17351	17375	17394	17418	18394	18416	18438	18460	19493	19519	19544	20602	20628	20650	20674	20699
		S/T	0.21	0.24	0.28	0.32	0.23	0.26	0.30	0.34	0.24	0.27	0.32	0.36	0.41	0.47	0.54	0.61
		PI	1.54	1.55	1.55	1.55	1.64	1.64	1.64	1.64	1.73	1.74	1.74	1.84	1.84	1.84	1.84	1.85
	0	TC	17748	17772	17792	17816	18814	18837	18859	18881	19939	19965	19991	21049	21075	21096	21121	21146
		S/T	0.21	0.24	0.28	0.32	0.23	0.26	0.30	0.34	0.24	0.27	0.32	0.36	0.42	0.47	0.54	0.62
		PI	1.48	1.48	1.48	1.48	1.57	1.57	1.57	1.57	1.66	1.66	1.66	1.76	1.76	1.76	1.76	1.77
	5	TC	17946	17970	17990	18014	19025	19047	19070	19092	20161	20188	20214	21272	21298	21319	21344	21369
		S/T	0.21	0.24	0.29	0.33	0.23	0.26	0.30	0.35	0.24	0.27	0.32	0.37	0.42	0.48	0.54	0.62
		PI	1.44	1.45	1.45	1.45	1.53	1.53	1.53	1.54	1.62	1.62	1.63	1.72	1.72	1.72	1.72	1.73
	14	TC	18303	18327	18348	18373	19403	19426	19449	19472	20562	20589	20616	21674	21700	21721	21746	21771
		S/T	0.22	0.25	0.29	0.33	0.23	0.26	0.30	0.35	0.24	0.28	0.32	0.37	0.42	0.48	0.54	0.62
		PI	1.38	1.39	1.39	1.39	1.47	1.47	1.47	1.47	1.55	1.56	1.56	1.65	1.65	1.65	1.65	1.65
	23	TC	18449	18473	18494	18519	19557	19581	19604	19627	20726	20753	20780	21838	21864	21886	21910	21935
		S/T	0.22	0.25	0.29	0.33	0.23	0.26	0.31	0.35	0.24	0.28	0.32	0.37	0.42	0.48	0.55	0.62
		PI	1.34	1.34	1.34	1.34	1.42	1.42	1.42	1.42	1.50	1.51	1.51	1.59	1.59	1.60	1.60	1.60
	32	TC	18489	18514	18535	18560	19600	19623	19647	19670	20771	20798	20826	21884	21909	21931	21956	21981
		S/T	0.22	0.25	0.29	0.33	0.23	0.26	0.31	0.35	0.24	0.28	0.33	0.37	0.42	0.48	0.55	0.63
		PI	1.30	1.30	1.31	1.31	1.38	1.38	1.38	1.39	1.46	1.47	1.47	1.55	1.55	1.55	1.56	1.56
	41	TC	18328	18353	18373	18398	19430	19453	19476	19499	20591	20618	20644	21702	21728	21750	21775	21800
		S/T	0.22	0.25	0.29	0.33	0.23	0.26	0.31	0.35	0.25	0.28	0.33	0.37	0.43	0.48	0.55	0.63
		PI	1.30	1.30	1.30	1.31	1.38	1.38	1.38	1.38	1.46	1.46	1.46	1.55	1.55	1.55	1.55	1.55
	50	TC	18312	18337	18357	18382	19413	19436	19459	19482	20573	20599	20626	21684	21710	21732	21757	21781
		S/T	0.22	0.25	0.29	0.33	0.23	0.27	0.31	0.35	0.25	0.28	0.33	0.38	0.43	0.49	0.56	0.63
		PI	1.32	1.33	1.33	1.33	1.40	1.40	1.41	1.41	1.49	1.49	1.49	1.57	1.58	1.58	1.58	1.58
	59	TC	18786	18812	18833	18858	19916	19939	19963	19987	21106	21133	21161	22219	22245	22266	22291	22316
		S/T	0.22	0.25	0.29	0.34	0.23	0.27	0.31	0.36	0.25	0.28	0.33	0.38	0.43	0.49	0.56	0.64
		PI	1.36	1.36	1.37	1.37	1.44	1.45	1.45	1.45	1.53	1.53	1.53	1.62	1.62	1.62	1.63	1.63
	68	TC	19261	19287	19308	19334	20419	20443	20467	20491	21639	21667	21695	22753	22779	22801	22825	22850
		S/T	0.22	0.25	0.30	0.34	0.24	0.27	0.31	0.36	0.25	0.28	0.33	0.38	0.43	0.49	0.56	0.64
		PI	1.40	1.40	1.40	1.41	1.49	1.49	1.49	1.49	1.57	1.58	1.58	1.67	1.67	1.67	1.67	1.68
	77	TC	19735	19762	19784	19811	20922	20946	20971	20996	22172	22201	22229	23287	23313	23335	23360	23385
		S/T	0.23	0.26	0.30	0.35	0.24	0.28	0.32	0.37	0.26	0.29	0.34	0.39	0.44	0.51	0.58	0.66
		PI	1.44	1.44	1.44	1.45	1.53	1.53	1.53	1.53	1.62	1.62	1.62	1.71	1.72	1.72	1.72	1.72
	86	TC	16994	17017	17036	17059	18016	18037	18058	18080	19092	19117	19142	20200	20226	20247	20272	20297
		S/T	0.23	0.26	0.31	0.35	0.24	0.28	0.33	0.37	0.26	0.30	0.35	0.39	0.45	0.51	0.58	0.67
		PI	1.58	1.58	1.59	1.59	1.68	1.68	1.68	1.68	1.78	1.78	1.78	1.88	1.88	1.89	1.89	1.89
	95	TC	16727	16749	16768	16790	17732	17753	17774	17795	18791	18816	18840	19898	19924	19946	19971	19996
		S/T	0.24	0.27	0.32	0.36	0.25	0.29	0.33	0.38	0.27	0.30	0.35	0.40	0.46	0.53	0.60	0.68
		PI	1.64	1.65	1.65	1.65	1.74	1.75	1.75	1.75	1.85	1.85	1.85	1.96	1.96	1.96	1.96	1.97
	104	TC	14424	14443	14459	14479	15291	15309	15327	15345	16204	16226	16247	17305	17331	17352	17377	17402
		S/T	0.25	0.28	0.33	0.38	0.26	0.30	0.35	0.40	0.28	0.32	0.37	0.42	0.48	0.55	0.63	0.72
		PI	1.47	1.47	1.47	1.47	1.56	1.56	1.56	1.56	1.65	1.65	1.65	1.76	1.76	1.76	1.76	1.77
	115	TC	12438	12455	12469	12486	13186	13201	13217	13233	13974	13992	14010	15068	15094	15116	15140	15165
		S/T	0.25	0.29	0.34	0.38	0.27	0.30	0.36	0.41	0.28	0.32	0.38	0.43	0.49	0.56	0.64	0.73
		PI	1.31	1.31	1.31	1.31	1.39	1.39	1.39	1.39	1.47	1.47	1.48	1.56	1.56	1.56	1.56	1.57
122	TC	10726	10740	10752	10767	11371	11384	11398	11411	12050	12066	12081	13669	13708	13740	13777	13815	
	S/T	0.26	0.30	0.35	0.40	0.28	0.31	0.37	0.42	0.29	0.33	0.39	0.44	0.51	0.58	0.66	0.75	
	PI	1.17	1.17	1.17	1.17	1.24	1.24	1.24	1.24	1.31	1.32	1.32	1.39	1.39	1.39	1.40	1.40	

PERFORMANCE DUCTED PLUS NON-DUCTED 36K (Sheet 2 of 4)

AIRFLOW (CFM)	OUTDOOR DB(°F)	ID WB (°F) ID WB (°F)	60.8				64.4				66.2				71.6			
			73.4	77.0	80.6	84.2	73.4	77.0	80.6	84.2	73.4	77.0	80.6	84.20	73.4	77.0	80.6	84.2
Med	-22	TC	24208	24240	24267	24300	25663	25693	25723	25754	27182	27217	27253	28770	28807	28838	28873	28909
		S/T	0.32	0.36	0.42	0.48	0.34	0.38	0.45	0.51	0.36	0.41	0.47	0.54	0.62	0.70	0.80	0.91
		PI	2.43	2.43	2.44	2.44	2.58	2.58	2.58	2.59	2.73	2.73	2.74	2.89	2.90	2.90	2.90	2.91
	-10	TC	24905	24939	24967	25000	26404	26434	26465	26495	27924	27959	27994	29511	29548	29579	29615	29650
		S/T	0.32	0.36	0.43	0.48	0.34	0.39	0.45	0.51	0.36	0.41	0.48	0.54	0.62	0.71	0.81	0.92
		PI	2.31	2.31	2.32	2.32	2.45	2.45	2.45	2.46	2.60	2.60	2.60	2.75	2.75	2.75	2.76	2.76
	0	TC	25486	25521	25549	25584	27022	27052	27082	27112	28541	28576	28611	30128	30165	30196	30232	30268
		S/T	0.32	0.37	0.43	0.49	0.34	0.39	0.45	0.52	0.36	0.41	0.48	0.55	0.62	0.71	0.81	0.93
		PI	2.21	2.21	2.21	2.22	2.34	2.34	2.35	2.35	2.48	2.49	2.49	2.63	2.63	2.63	2.64	2.64
	5	TC	25777	25811	25840	25875	27331	27361	27391	27421	28850	28885	28920	30437	30474	30505	30541	30577
		S/T	0.32	0.37	0.43	0.49	0.34	0.39	0.45	0.52	0.36	0.41	0.48	0.55	0.63	0.71	0.81	0.93
		PI	2.16	2.16	2.16	2.17	2.29	2.29	2.29	2.30	2.43	2.43	2.43	2.57	2.57	2.57	2.58	2.58
	14	TC	26300	26335	26365	26400	27886	27917	27947	27977	29406	29441	29476	30993	31030	31061	31097	31132
		S/T	0.32	0.37	0.43	0.49	0.34	0.39	0.46	0.52	0.36	0.41	0.48	0.55	0.63	0.72	0.82	0.93
		PI	2.07	2.07	2.07	2.08	2.19	2.19	2.20	2.20	2.32	2.33	2.33	2.46	2.46	2.47	2.47	2.47
	23	TC	26474	26509	26539	26575	28071	28101	28131	28162	29590	29625	29661	31178	31215	31246	31281	31317
		S/T	0.32	0.37	0.43	0.49	0.34	0.39	0.46	0.52	0.37	0.42	0.49	0.55	0.63	0.72	0.82	0.94
		PI	2.00	2.00	2.01	2.01	2.12	2.12	2.13	2.13	2.25	2.25	2.25	2.38	2.38	2.39	2.39	2.39
	32	TC	26473	26509	26538	26574	28070	28100	28131	28161	29590	29625	29660	31177	31214	31245	31281	31316
		S/T	0.33	0.37	0.44	0.50	0.35	0.39	0.46	0.53	0.37	0.42	0.49	0.56	0.64	0.72	0.83	0.94
		PI	1.95	1.95	1.95	1.95	2.06	2.06	2.07	2.07	2.19	2.19	2.19	2.31	2.32	2.32	2.32	2.33
	41	TC	26313	26349	26378	26414	27901	27931	27961	27991	29420	29455	29490	31007	31044	31075	31111	31147
		S/T	0.33	0.37	0.44	0.50	0.35	0.40	0.46	0.53	0.37	0.42	0.49	0.56	0.64	0.73	0.83	0.95
		PI	1.94	1.94	1.95	1.95	2.06	2.06	2.06	2.07	2.18	2.18	2.19	2.31	2.31	2.32	2.32	2.32
	50	TC	26382	26418	26447	26483	27974	28004	28034	28064	29493	29528	29563	31080	31118	31149	31184	31220
		S/T	0.33	0.38	0.44	0.50	0.35	0.40	0.47	0.53	0.37	0.42	0.49	0.56	0.64	0.73	0.83	0.95
		PI	1.98	1.98	1.98	1.98	2.10	2.10	2.10	2.10	2.22	2.22	2.23	2.35	2.35	2.36	2.36	2.36
	59	TC	27068	27104	27134	27171	28702	28732	28762	28793	30221	30256	30292	31809	31846	31877	31912	31948
		S/T	0.33	0.38	0.44	0.50	0.35	0.40	0.47	0.53	0.37	0.42	0.50	0.57	0.65	0.74	0.84	0.96
		PI	2.04	2.04	2.04	2.04	2.16	2.16	2.17	2.17	2.29	2.29	2.29	2.42	2.42	2.43	2.43	2.43
	68	TC	27753	27790	27821	27859	29430	29460	29491	29521	30950	30985	31020	32537	32574	32605	32641	32676
		S/T	0.33	0.38	0.44	0.51	0.35	0.40	0.47	0.54	0.37	0.43	0.50	0.57	0.65	0.74	0.84	0.96
		PI	2.09	2.10	2.10	2.10	2.22	2.22	2.23	2.23	2.35	2.36	2.36	2.49	2.49	2.50	2.50	2.50
	77	TC	28438	28476	28508	28547	30158	30188	30219	30249	31678	31713	31748	33265	33302	33333	33369	33404
		S/T	0.34	0.39	0.46	0.52	0.36	0.41	0.48	0.55	0.38	0.44	0.51	0.58	0.67	0.76	0.87	0.99
		PI	2.15	2.16	2.16	2.16	2.28	2.29	2.29	2.29	2.42	2.42	2.43	2.56	2.57	2.57	2.57	2.57
	86	TC	24390	24423	24451	24484	25857	25888	25918	25948	27377	27412	27447	28964	29001	29032	29068	29103
		S/T	0.35	0.40	0.46	0.53	0.37	0.42	0.49	0.56	0.39	0.44	0.52	0.59	0.67	0.77	0.88	0.99
		PI	2.36	2.37	2.37	2.37	2.51	2.51	2.51	2.52	2.66	2.66	2.66	2.81	2.82	2.82	2.82	2.83
	95	TC	23984	24016	24043	24075	25425	25455	25485	25516	26944	26979	27014	28532	28569	28600	28635	28671
		S/T	0.36	0.41	0.47	0.54	0.38	0.43	0.50	0.57	0.40	0.46	0.53	0.61	0.69	0.79	0.90	1.00
		PI	2.46	2.46	2.47	2.47	2.61	2.61	2.61	2.62	2.76	2.77	2.77	2.93	2.93	2.93	2.94	2.94
	104	TC	20489	20517	20540	20567	21712	21742	21772	21802	23231	23266	23301	24818	24855	24886	24922	24958
		S/T	0.37	0.43	0.50	0.57	0.40	0.45	0.53	0.60	0.42	0.48	0.56	0.64	0.73	0.83	0.94	1.00
		PI	2.19	2.20	2.20	2.20	2.32	2.33	2.33	2.33	2.46	2.47	2.47	2.63	2.63	2.63	2.64	2.64
	115	TC	17475	17498	17518	17542	18509	18539	18569	18599	20028	20063	20098	21615	21653	21684	21719	21755
		S/T	0.38	0.43	0.50	0.57	0.40	0.46	0.53	0.61	0.42	0.48	0.57	0.64	0.74	0.84	0.96	1.00
		PI	1.96	1.96	1.96	1.96	2.07	2.08	2.08	2.08	2.20	2.20	2.20	2.33	2.33	2.33	2.34	2.34
122	TC	14152	14171	14187	14206	14948	14993	15039	15084	17231	17283	17336	19615	19671	19717	19771	19824	
	S/T	0.39	0.45	0.52	0.59	0.41	0.47	0.55	0.63	0.44	0.50	0.59	0.67	0.76	0.87	0.99	1.00	
	PI	1.75	1.75	1.75	1.75	1.85	1.85	1.85	1.86	1.96	1.97	1.97	2.08	2.08	2.08	2.09	2.09	

PERFORMANCE DUCTED PLUS NON-DUCTED 36K (Sheet 3 of 4)

AIRFLOW (CFM)	OUTDOOR DB(°F)	ID WB (°F)	60.8				64.4				66.2				71.6			
		ID WB (°F)	73.4	77.0	80.6	84.2	73.4	77.0	80.6	84.2	73.4	77.0	80.6	84.20	73.4	77.0	80.6	84.2
High	-22	TC	36367	36416	36457	36506	38554	38599	38644	38690	40836	40889	40941	43221	43276	43323	43376	43430
		S/T	0.48	0.54	0.63	0.72	0.50	0.58	0.67	0.77	0.53	0.61	0.71	0.81	0.93	1.00	1.00	1.00
		PI	3.66	3.66	3.66	3.67	3.88	3.88	3.88	3.89	4.11	4.11	4.12	4.35	4.35	4.36	4.36	4.36
	-10	TC	37411	37461	37503	37554	39663	39708	39753	39799	41945	41998	42050	44330	44385	44432	44485	44539
		S/T	0.48	0.55	0.64	0.73	0.51	0.58	0.68	0.77	0.54	0.61	0.72	0.82	0.93	1.00	1.00	1.00
		PI	3.47	3.48	3.48	3.49	3.68	3.69	3.69	3.69	3.90	3.91	3.91	4.13	4.14	4.14	4.15	4.15
	0	TC	38280	38332	38375	38426	40587	40632	40677	40723	42869	42922	42974	45254	45309	45356	45409	45463
		S/T	0.48	0.55	0.64	0.73	0.51	0.58	0.68	0.78	0.54	0.62	0.72	0.82	0.94	1.00	1.00	1.00
		PI	3.32	3.33	3.33	3.33	3.52	3.52	3.53	3.53	3.73	3.74	3.74	3.95	3.96	3.96	3.97	3.97
	5	TC	38715	38767	38811	38863	41049	41094	41139	41185	43331	43384	43436	45716	45771	45818	45872	45925
		S/T	0.48	0.55	0.64	0.73	0.51	0.58	0.68	0.78	0.54	0.62	0.72	0.83	0.94	1.00	1.00	1.00
		PI	3.24	3.25	3.25	3.26	3.44	3.44	3.45	3.45	3.65	3.65	3.66	3.86	3.87	3.87	3.87	3.88
	14	TC	39498	39551	39595	39649	41880	41926	41971	42016	44163	44215	44268	46547	46603	46650	46703	46757
		S/T	0.49	0.55	0.65	0.74	0.51	0.59	0.69	0.78	0.55	0.62	0.73	0.83	0.95	1.00	1.00	1.00
		PI	3.11	3.11	3.12	3.12	3.29	3.30	3.30	3.31	3.49	3.50	3.50	3.70	3.70	3.71	3.71	3.72
	23	TC	39751	39805	39849	39903	42150	42195	42240	42286	44432	44485	44537	46817	46872	46919	46972	47026
		S/T	0.49	0.56	0.65	0.74	0.52	0.59	0.69	0.79	0.55	0.63	0.73	0.83	0.95	1.00	1.00	1.00
		PI	3.01	3.01	3.01	3.02	3.19	3.19	3.19	3.20	3.38	3.38	3.39	3.58	3.58	3.58	3.59	3.59
	32	TC	39740	39793	39838	39892	42138	42183	42228	42274	44420	44473	44525	46805	46860	46907	46961	47014
		S/T	0.49	0.56	0.65	0.75	0.52	0.59	0.69	0.79	0.55	0.63	0.74	0.84	0.96	1.00	1.00	1.00
		PI	2.92	2.92	2.93	2.93	3.10	3.10	3.10	3.11	3.28	3.29	3.29	3.47	3.48	3.48	3.49	3.49
	41	TC	39514	39567	39611	39665	41897	41943	41988	42033	44180	44232	44285	46564	46620	46667	46720	46774
		S/T	0.49	0.56	0.66	0.75	0.52	0.60	0.70	0.79	0.55	0.63	0.74	0.84	0.96	1.00	1.00	1.00
		PI	2.91	2.92	2.92	2.93	3.09	3.09	3.10	3.10	3.27	3.28	3.28	3.47	3.47	3.48	3.48	3.48
	50	TC	39633	39686	39730	39784	42024	42069	42114	42160	44306	44359	44411	46691	46746	46793	46847	46900
		S/T	0.50	0.57	0.66	0.75	0.53	0.60	0.70	0.80	0.56	0.63	0.74	0.85	0.96	1.00	1.00	1.00
		PI	2.97	2.97	2.97	2.98	3.15	3.15	3.15	3.16	3.33	3.34	3.34	3.53	3.53	3.54	3.54	3.55
	59	TC	40656	40711	40757	40812	43111	43157	43202	43247	45394	45446	45499	47778	47834	47881	47934	47988
		S/T	0.50	0.57	0.66	0.76	0.53	0.60	0.70	0.80	0.56	0.64	0.75	0.85	0.97	1.00	1.00	1.00
		PI	3.06	3.06	3.06	3.07	3.24	3.24	3.25	3.25	3.43	3.44	3.44	3.64	3.64	3.65	3.65	3.65
	68	TC	41680	41736	41783	41839	44199	44244	44290	44335	46482	46534	46587	48866	48922	48968	49022	49075
		S/T	0.50	0.57	0.67	0.76	0.53	0.60	0.71	0.81	0.56	0.64	0.75	0.86	0.97	1.00	1.00	1.00
		PI	3.15	3.15	3.15	3.16	3.34	3.34	3.34	3.35	3.53	3.54	3.54	3.74	3.75	3.75	3.76	3.76
	77	TC	42703	42761	42809	42867	45287	45332	45377	45423	47569	47622	47675	49954	50009	50056	50110	50163
		S/T	0.51	0.59	0.69	0.78	0.54	0.62	0.73	0.83	0.58	0.66	0.77	0.88	1.00	1.00	1.00	1.00
		PI	3.24	3.24	3.24	3.25	3.43	3.43	3.44	3.44	3.64	3.64	3.64	3.85	3.85	3.86	3.86	3.87
	86	TC	36642	36691	36733	36782	38846	38891	38936	38982	41128	41181	41234	43513	43569	43615	43669	43722
		S/T	0.52	0.59	0.69	0.79	0.55	0.63	0.74	0.84	0.59	0.67	0.78	0.89	1.00	1.00	1.00	1.00
		PI	3.55	3.56	3.56	3.57	3.77	3.77	3.78	3.78	3.99	4.00	4.00	4.23	4.23	4.24	4.24	4.25
	95	TC	36031	36079	36120	36168	38196	38241	38287	38332	40479	40531	40584	42863	42919	42966	43019	43073
		S/T	0.53	0.61	0.71	0.81	0.57	0.65	0.75	0.86	0.60	0.68	0.80	0.91	1.00	1.00	1.00	1.00
		PI	3.70	3.70	3.70	3.71	3.92	3.92	3.93	3.93	4.15	4.16	4.16	4.40	4.40	4.41	4.41	4.42
	104	TC	30782	30823	30858	30899	32619	32664	32709	32755	34901	34954	35006	37286	37341	37388	37441	37495
		S/T	0.56	0.64	0.75	0.85	0.59	0.68	0.79	0.90	0.63	0.72	0.84	0.96	1.00	1.00	1.00	1.00
		PI	3.29	3.30	3.30	3.31	3.49	3.50	3.50	3.51	3.70	3.71	3.71	3.94	3.95	3.96	3.96	3.97
	115	TC	26254	26290	26319	26355	27808	27853	27898	27944	30090	30143	30196	32475	32530	32577	32631	32684
		S/T	0.57	0.65	0.76	0.86	0.60	0.69	0.80	0.91	0.64	0.73	0.85	0.97	1.00	1.00	1.00	1.00
		PI	2.94	2.94	2.95	2.95	3.12	3.12	3.12	3.13	3.30	3.31	3.31	3.49	3.50	3.50	3.51	3.51
122	TC	22349	22379	22404	22435	23658	23703	23749	23794	25941	25993	26046	28325	28381	28427	28481	28535	
	S/T	0.59	0.67	0.78	0.89	0.62	0.71	0.83	0.95	0.66	0.75	0.88	1.00	1.00	1.00	1.00	1.00	
	PI	2.62	2.63	2.63	2.63	2.78	2.78	2.79	2.79	2.95	2.95	2.95	3.12	3.12	3.13	3.13	3.14	

PERFORMANCE DUCTED PLUS NON-DUCTED 36K (Sheet 4 of 4)

AIRFLOW (CFM)	OUTDOOR DB(°F)	ID WB (°F)	60.8				64.4				66.2				71.6			
		ID WB (°F)	73.4	77.0	80.6	84.2	73.4	77.0	80.6	84.2	73.4	77.0	80.6	84.20	73.4	77.0	80.6	84.2
Turbo	-22	TC	37972	38023	38066	38117	40254	40302	40350	40398	42660	42715	42771	45173	45231	45281	45337	45393
		S/T	0.50	0.57	0.66	0.76	0.53	0.60	0.70	0.80	0.56	0.64	0.74	0.85	0.97	1.00	1.00	1.00
		PI	3.81	3.81	3.82	3.82	4.04	4.04	4.05	4.05	4.28	4.28	4.29	4.53	4.54	4.54	4.55	4.55
	-10	TC	39013	39065	39109	39162	41357	41406	41455	41505	43829	43886	43943	46411	46471	46522	46579	46637
		S/T	0.50	0.57	0.67	0.76	0.53	0.60	0.71	0.81	0.56	0.64	0.75	0.85	0.97	1.00	1.00	1.00
		PI	3.62	3.62	3.63	3.63	3.84	3.84	3.85	3.85	4.07	4.07	4.08	4.31	4.31	4.32	4.32	4.33
	0	TC	39880	39934	39978	40032	42277	42327	42377	42427	44803	44861	44920	47442	47504	47556	47615	47674
		S/T	0.50	0.57	0.67	0.77	0.53	0.61	0.71	0.81	0.57	0.64	0.75	0.86	0.97	1.00	1.00	1.00
		PI	3.46	3.47	3.47	3.48	3.67	3.68	3.68	3.68	3.89	3.90	3.90	4.12	4.13	4.13	4.13	4.14
	5	TC	40313	40368	40413	40467	42736	42787	42838	42889	45290	45349	45408	47958	48021	48073	48133	48192
		S/T	0.50	0.58	0.67	0.77	0.54	0.61	0.71	0.81	0.57	0.65	0.76	0.86	0.97	1.00	1.00	1.00
		PI	3.38	3.39	3.39	3.40	3.59	3.59	3.60	3.60	3.80	3.81	3.81	4.03	4.03	4.04	4.04	4.05
	14	TC	41094	41149	41195	41251	43564	43615	43667	43719	46167	46227	46287	48887	48950	49003	49064	49126
		S/T	0.51	0.58	0.68	0.77	0.54	0.61	0.72	0.82	0.57	0.65	0.76	0.87	0.98	1.00	1.00	1.00
		PI	3.24	3.25	3.25	3.26	3.44	3.44	3.45	3.45	3.64	3.65	3.65	3.86	3.86	3.87	3.87	3.88
	23	TC	41366	41422	41469	41525	43853	43905	43957	44009	46473	46534	46594	49211	49275	49328	49390	49451
		S/T	0.51	0.58	0.68	0.78	0.54	0.62	0.72	0.82	0.57	0.65	0.76	0.87	0.98	1.00	1.00	1.00
		PI	3.14	3.15	3.15	3.15	3.33	3.33	3.34	3.34	3.53	3.53	3.54	3.74	3.74	3.75	3.75	3.75
	32	TC	41385	41441	41487	41543	43872	43924	43976	44029	46494	46554	46615	49233	49297	49351	49412	49473
		S/T	0.51	0.58	0.68	0.78	0.54	0.62	0.72	0.83	0.58	0.66	0.77	0.88	0.98	1.00	1.00	1.00
		PI	3.06	3.06	3.06	3.07	3.24	3.24	3.25	3.25	3.43	3.44	3.44	3.64	3.64	3.65	3.65	3.65
	41	TC	41122	41177	41223	41279	43593	43645	43697	43749	46198	46258	46319	48920	48983	49037	49098	49159
		S/T	0.52	0.59	0.69	0.78	0.55	0.62	0.73	0.83	0.58	0.66	0.77	0.88	0.98	1.00	1.00	1.00
		PI	3.05	3.06	3.06	3.06	3.24	3.24	3.24	3.25	3.43	3.43	3.44	3.63	3.64	3.64	3.64	3.65
	50	TC	41194	41250	41296	41352	43670	43722	43774	43826	46280	46340	46400	49006	49070	49123	49184	49246
		S/T	0.52	0.59	0.69	0.79	0.55	0.63	0.73	0.83	0.58	0.66	0.78	0.88	0.99	1.00	1.00	1.00
		PI	3.11	3.11	3.11	3.12	3.29	3.30	3.30	3.30	3.49	3.49	3.50	3.70	3.70	3.70	3.71	3.71
	59	TC	42220	42277	42324	42382	44758	44811	44864	44917	47432	47494	47556	50227	50292	50347	50409	50472
		S/T	0.52	0.59	0.69	0.79	0.55	0.63	0.74	0.84	0.58	0.67	0.78	0.89	0.99	1.00	1.00	1.00
		PI	3.20	3.20	3.20	3.21	3.39	3.39	3.40	3.40	3.59	3.60	3.60	3.80	3.81	3.81	3.82	3.82
	68	TC	43246	43304	43353	43411	45845	45904	45954	46009	48585	48648	48711	51447	51514	51570	51634	51698
		S/T	0.52	0.60	0.70	0.79	0.55	0.63	0.74	0.84	0.59	0.67	0.78	0.89	0.99	1.00	1.00	1.00
		PI	3.29	3.29	3.30	3.30	3.49	3.49	3.49	3.50	3.69	3.70	3.70	3.91	3.92	3.92	3.93	3.93
	77	TC	44272	44332	44381	44441	46933	46988	47044	47100	49737	49802	49867	52667	52736	52793	52859	52925
		S/T	0.54	0.61	0.72	0.82	0.57	0.65	0.76	0.86	0.60	0.69	0.80	0.92	1.00	1.00	1.00	1.00
		PI	3.38	3.38	3.39	3.39	3.58	3.59	3.59	3.59	3.80	3.80	3.81	4.02	4.02	4.03	4.03	4.04
	86	TC	38242	38293	38336	38388	40540	40588	40636	40685	42963	43019	43075	45494	45553	45602	45659	45716
		S/T	0.54	0.62	0.72	0.83	0.58	0.66	0.77	0.88	0.61	0.70	0.81	0.93	1.00	1.00	1.00	1.00
		PI	3.71	3.72	3.72	3.72	3.93	3.94	3.94	3.95	4.17	4.17	4.18	4.41	4.42	4.42	4.43	4.44
	95	TC	37639	37690	37732	37783	39902	39949	39996	40044	42286	42341	42396	44777	44835	44884	44940	44996
		S/T	0.56	0.64	0.74	0.85	0.59	0.67	0.79	0.90	0.63	0.71	0.84	0.95	1.00	1.00	1.00	1.00
		PI	3.86	3.86	3.87	3.87	4.09	4.09	4.10	4.10	4.33	4.34	4.34	4.59	4.59	4.60	4.61	4.61
	104	TC	32464	32508	32544	32588	34415	34456	34497	34538	36472	36519	36567	38620	38670	38712	38761	38809
		S/T	0.59	0.67	0.78	0.89	0.62	0.71	0.83	0.94	0.66	0.74	0.88	0.98	1.00	1.00	1.00	1.00
		PI	3.44	3.45	3.45	3.45	3.65	3.65	3.66	3.66	3.87	3.87	3.88	4.09	4.10	4.10	4.11	4.11
	115	TC	28000	28038	28069	28107	29683	29718	29753	29789	31457	31498	31539	33310	33353	33389	33431	33473
		S/T	0.59	0.68	0.79	0.90	0.63	0.72	0.84	0.95	0.67	0.74	0.89	0.99	1.00	1.00	1.00	1.00
		PI	3.07	3.08	3.08	3.08	3.26	3.26	3.27	3.27	3.45	3.46	3.46	3.66	3.66	3.66	3.67	3.67
122	TC	24150	24183	24210	24243	25602	25632	25663	25693	27132	27167	27202	28730	28767	28799	28834	28870	
	S/T	0.61	0.70	0.82	0.93	0.65	0.73	0.87	0.98	0.69	0.75	0.92	1.00	1.00	1.00	1.00	1.00	
	PI	2.75	2.75	2.75	2.76	2.91	2.91	2.92	2.92	3.08	3.09	3.09	3.27	3.27	3.27	3.28	3.28	

NOTE: Data highlighted in gray is extrapolated data and not actual test data. At 77°F outdoor conditions sweat protection activates causing a decrease in total capacity.

LEGEND

- TC - Total Net Capacity (Btu/hour)
- S/T: Sensible Cooling Capacity Ratio
- PI: Power Input (kW)
- Extrapolated Data

COOLING PERFORMANCE DUCTED PLUS NON-DUCTED

COOLING PERFORMANCE 36K HH

PERFORMANCE DUCTED PLUS NON-DUCTED 36K HH (Sheet 1 of 4)

AIRFLOW (CFM)	OUTDOOR DB(°F)	ID WB (°F)	60.8				64.4				66.2				71.6			
		ID WB (°F)	73.4	77.0	80.6	84.2	73.4	77.0	80.6	84.2	73.4	77.0	80.6	84.20	73.4	77.0	80.6	84.2
Low	-22	TC	17158	17181	17201	17224	18189	18211	18233	18254	19276	19301	19327	20539	20569	20594	20622	20651
		S/T	0.21	0.24	0.28	0.32	0.22	0.25	0.30	0.34	0.24	0.27	0.32	0.36	0.41	0.47	0.53	0.61
		PI	1.20	1.20	1.21	1.21	1.27	1.28	1.28	1.28	1.35	1.35	1.35	1.43	1.43	1.43	1.44	1.44
	-10	TC	17565	17589	17608	17632	18621	18643	18665	18687	19733	19759	19785	20997	21027	21052	21080	21109
		S/T	0.21	0.24	0.28	0.32	0.23	0.26	0.30	0.34	0.24	0.27	0.32	0.36	0.41	0.47	0.54	0.61
		PI	1.24	1.24	1.24	1.24	1.31	1.31	1.31	1.32	1.39	1.39	1.39	1.47	1.47	1.47	1.48	1.48
	0	TC	17904	17928	17948	17972	18980	19002	19025	19047	20114	20140	20166	21379	21409	21434	21462	21491
		S/T	0.21	0.24	0.28	0.32	0.23	0.26	0.30	0.34	0.24	0.27	0.32	0.36	0.42	0.47	0.54	0.62
		PI	1.27	1.27	1.27	1.27	1.34	1.34	1.34	1.35	1.42	1.42	1.42	1.51	1.51	1.51	1.51	1.51
	5	TC	18073	18098	18118	18142	19160	19182	19205	19228	20304	20331	20357	21570	21600	21625	21653	21681
		S/T	0.21	0.24	0.29	0.33	0.23	0.26	0.30	0.35	0.24	0.27	0.32	0.37	0.42	0.48	0.54	0.62
		PI	1.28	1.28	1.28	1.28	1.36	1.36	1.36	1.36	1.44	1.44	1.44	1.52	1.52	1.53	1.53	1.53
	14	TC	18378	18403	18424	18448	19483	19506	19529	19552	20647	20674	20701	21914	21943	21968	21997	22025
		S/T	0.22	0.25	0.29	0.33	0.23	0.26	0.30	0.35	0.24	0.28	0.32	0.37	0.42	0.48	0.54	0.62
		PI	1.31	1.31	1.31	1.31	1.38	1.39	1.39	1.39	1.47	1.47	1.47	1.55	1.55	1.56	1.56	1.56
	23	TC	18784	18809	18830	18855	19913	19936	19960	19984	21103	21130	21157	22370	22400	22425	22453	22482
		S/T	0.22	0.25	0.29	0.33	0.23	0.26	0.31	0.35	0.24	0.28	0.32	0.37	0.42	0.48	0.55	0.62
		PI	1.34	1.34	1.35	1.35	1.42	1.43	1.43	1.43	1.51	1.51	1.51	1.60	1.60	1.60	1.60	1.61
	32	TC	19239	19265	19287	19313	20396	20420	20444	20468	21614	21642	21671	22883	22913	22938	22966	22995
		S/T	0.22	0.25	0.29	0.33	0.23	0.26	0.31	0.35	0.24	0.28	0.33	0.37	0.42	0.48	0.55	0.63
		PI	1.39	1.39	1.39	1.39	1.47	1.47	1.47	1.48	1.56	1.56	1.56	1.65	1.65	1.65	1.66	1.66
	41	TC	19140	19166	19188	19214	20291	20315	20339	20363	21503	21531	21559	22772	22802	22827	22855	22884
		S/T	0.22	0.25	0.29	0.33	0.23	0.26	0.31	0.35	0.25	0.28	0.33	0.37	0.43	0.48	0.55	0.63
		PI	1.41	1.41	1.41	1.42	1.49	1.50	1.50	1.50	1.58	1.59	1.59	1.68	1.68	1.68	1.68	1.69
	50	TC	19097	19122	19144	19169	20244	20268	20292	20316	21454	21482	21510	22723	22752	22777	22806	22834
		S/T	0.22	0.25	0.29	0.33	0.23	0.27	0.31	0.35	0.25	0.28	0.33	0.38	0.43	0.49	0.56	0.63
		PI	1.45	1.45	1.45	1.45	1.53	1.53	1.54	1.54	1.62	1.63	1.63	1.72	1.72	1.72	1.73	1.73
	59	TC	19717	19743	19765	19792	20902	20927	20951	20976	22151	22180	22208	23421	23451	23476	23504	23533
		S/T	0.22	0.25	0.29	0.34	0.23	0.27	0.31	0.36	0.25	0.28	0.33	0.38	0.43	0.49	0.56	0.64
		PI	1.52	1.53	1.53	1.53	1.62	1.62	1.62	1.62	1.71	1.71	1.71	1.81	1.82	1.82	1.82	1.82
	68	TC	20337	20364	20387	20415	21559	21585	21610	21636	22848	22877	22907	24120	24150	24174	24203	24231
		S/T	0.22	0.25	0.30	0.34	0.24	0.27	0.31	0.36	0.25	0.28	0.33	0.38	0.43	0.49	0.56	0.64
		PI	1.60	1.60	1.61	1.61	1.70	1.70	1.70	1.70	1.80	1.80	1.81	1.91	1.91	1.91	1.91	1.92
	77	TC	20957	20985	21009	21037	22217	22243	22270	22296	23544	23575	23606	24818	24848	24873	24901	24930
		S/T	0.23	0.26	0.30	0.35	0.24	0.28	0.32	0.37	0.26	0.29	0.34	0.39	0.44	0.51	0.58	0.66
		PI	1.68	1.68	1.69	1.69	1.78	1.78	1.79	1.79	1.89	1.89	1.89	2.00	2.00	2.00	2.01	2.01
	86	TC	19119	19145	19166	19192	20268	20292	20316	20340	21479	21507	21535	22748	22778	22803	22831	22860
		S/T	0.23	0.26	0.31	0.35	0.24	0.28	0.33	0.37	0.26	0.30	0.35	0.39	0.45	0.51	0.58	0.67
		PI	1.71	1.72	1.72	1.72	1.82	1.82	1.82	1.82	1.92	1.93	1.93	2.04	2.04	2.04	2.05	2.05
	95	TC	19172	19198	19219	19245	20324	20348	20373	20397	21539	21567	21595	22808	22837	22862	22891	22919
		S/T	0.24	0.27	0.32	0.36	0.25	0.29	0.33	0.38	0.27	0.30	0.35	0.40	0.46	0.53	0.60	0.68
		PI	1.78	1.78	1.79	1.79	1.89	1.89	1.89	1.89	2.00	2.00	2.01	2.12	2.12	2.12	2.13	2.13
	104	TC	16062	16084	16102	16123	17027	17048	17068	17088	18045	18068	18092	19305	19334	19359	19387	19416
		S/T	0.25	0.28	0.33	0.38	0.26	0.30	0.35	0.40	0.28	0.32	0.37	0.42	0.48	0.55	0.63	0.72
		PI	1.64	1.64	1.64	1.65	1.74	1.74	1.74	1.75	1.84	1.85	1.85	1.96	1.96	1.97	1.97	1.97
	115	TC	13458	13476	13491	13509	14267	14284	14301	14317	15119	15139	15159	16371	16401	16426	16454	16483
		S/T	0.25	0.29	0.34	0.38	0.27	0.30	0.36	0.41	0.28	0.32	0.38	0.43	0.49	0.56	0.64	0.73
		PI	1.51	1.52	1.52	1.52	1.60	1.61	1.61	1.61	1.70	1.70	1.70	1.80	1.80	1.81	1.81	1.81
122	TC	11277	11292	11305	11320	11955	11969	11983	11997	12669	12686	12702	14521	14565	14602	14645	14688	
	S/T	0.26	0.30	0.35	0.40	0.28	0.31	0.37	0.42	0.29	0.33	0.39	0.44	0.51	0.58	0.66	0.75	
	PI	1.40	1.40	1.40	1.40	1.48	1.49	1.49	1.49	1.57	1.57	1.58	1.66	1.67	1.67	1.67	1.67	

PERFORMANCE DUCTED PLUS NON-DUCTED 36K HH (Sheet 2 of 4)

AIRFLOW (CFM)	OUTDOOR DB(°F)	ID WB (°F)	60.8				64.4				66.2				71.6			
		ID WB (°F)	73.4	77.0	80.6	84.2	73.4	77.0	80.6	84.2	73.4	77.0	80.6	84.20	73.4	77.0	80.6	84.2
Med	-22	TC	24693	24726	24754	24787	26170	26205	26239	26274	27905	27945	27985	29716	29759	29794	29835	29876
		S/T	0.32	0.36	0.42	0.48	0.34	0.38	0.45	0.51	0.36	0.41	0.47	0.54	0.62	0.70	0.80	0.91
		PI	1.80	1.80	1.80	1.80	1.91	1.91	1.91	1.91	2.02	2.02	2.02	2.14	2.14	2.14	2.15	2.15
	-10	TC	25149	25182	25211	25245	26655	26689	26723	26758	28389	28429	28469	30201	30243	30279	30319	30360
		S/T	0.32	0.36	0.43	0.48	0.34	0.39	0.45	0.51	0.36	0.41	0.48	0.54	0.62	0.71	0.81	0.92
		PI	1.85	1.85	1.85	1.86	1.96	1.96	1.96	1.97	2.08	2.08	2.08	2.20	2.20	2.20	2.21	2.21
	0	TC	25528	25563	25591	25626	27058	27093	27127	27162	28793	28832	28873	30604	30647	30682	30723	30764
		S/T	0.32	0.37	0.43	0.49	0.34	0.39	0.45	0.52	0.36	0.41	0.48	0.55	0.62	0.71	0.81	0.93
		PI	1.89	1.89	1.89	1.90	2.00	2.01	2.01	2.01	2.12	2.13	2.13	2.25	2.25	2.25	2.26	2.26
	5	TC	25718	25753	25782	25817	27260	27294	27329	27363	28994	29034	29074	30806	30849	30884	30925	30965
		S/T	0.32	0.37	0.43	0.49	0.34	0.39	0.45	0.52	0.36	0.41	0.48	0.55	0.63	0.71	0.81	0.93
		PI	1.91	1.91	1.92	1.92	2.03	2.03	2.03	2.03	2.15	2.15	2.15	2.27	2.28	2.28	2.28	2.28
	14	TC	26060	26095	26125	26160	27623	27658	27692	27727	29358	29397	29438	31169	31212	31247	31288	31329
		S/T	0.32	0.37	0.43	0.49	0.34	0.39	0.46	0.52	0.36	0.41	0.48	0.55	0.63	0.72	0.82	0.93
		PI	1.95	1.95	1.95	1.96	2.07	2.07	2.07	2.07	2.19	2.19	2.20	2.32	2.32	2.32	2.33	2.33
	23	TC	26622	26658	26688	26724	28220	28255	28289	28324	29955	29994	30035	31766	31809	31844	31885	31926
		S/T	0.32	0.37	0.43	0.49	0.34	0.39	0.46	0.52	0.37	0.42	0.49	0.55	0.63	0.72	0.82	0.94
		PI	2.00	2.01	2.01	2.01	2.13	2.13	2.13	2.13	2.25	2.26	2.26	2.38	2.39	2.39	2.39	2.40
	32	TC	27294	27330	27361	27398	28934	28968	29003	29037	30668	30708	30748	32480	32523	32558	32599	32639
		S/T	0.33	0.37	0.44	0.50	0.35	0.39	0.46	0.53	0.37	0.42	0.49	0.56	0.64	0.72	0.83	0.94
		PI	2.07	2.07	2.07	2.08	2.19	2.20	2.20	2.20	2.32	2.33	2.33	2.46	2.46	2.47	2.47	2.47
	41	TC	27156	27193	27223	27260	28788	28822	28857	28891	30522	30562	30602	32334	32377	32412	32453	32493
		S/T	0.33	0.37	0.44	0.50	0.35	0.40	0.46	0.53	0.37	0.42	0.49	0.56	0.64	0.73	0.83	0.95
		PI	2.10	2.11	2.11	2.11	2.23	2.23	2.24	2.24	2.36	2.37	2.37	2.50	2.51	2.51	2.51	2.52
	50	TC	27100	27137	27167	27204	28728	28763	28797	28832	30463	30503	30543	32275	32317	32352	32393	32434
		S/T	0.33	0.38	0.44	0.50	0.35	0.40	0.47	0.53	0.37	0.42	0.49	0.56	0.64	0.73	0.83	0.95
		PI	2.16	2.16	2.16	2.17	2.29	2.29	2.29	2.30	2.42	2.43	2.43	2.57	2.57	2.57	2.58	2.58
	59	TC	28016	28053	28085	28123	29701	29735	29770	29804	31435	31475	31515	33247	33290	33325	33366	33406
		S/T	0.33	0.38	0.44	0.50	0.35	0.40	0.47	0.53	0.37	0.42	0.50	0.57	0.65	0.74	0.84	0.96
		PI	2.28	2.28	2.28	2.28	2.41	2.42	2.42	2.42	2.56	2.56	2.56	2.71	2.71	2.71	2.72	2.72
	68	TC	28931	28970	29002	29041	30674	30708	30743	30777	32408	32448	32488	34220	34262	34298	34338	34379
		S/T	0.33	0.38	0.44	0.51	0.35	0.40	0.47	0.54	0.37	0.43	0.50	0.57	0.65	0.74	0.84	0.96
		PI	2.39	2.40	2.40	2.40	2.54	2.54	2.54	2.55	2.69	2.69	2.70	2.85	2.85	2.85	2.86	2.86
	77	TC	29846	29886	29920	29960	31646	31681	31715	31750	33381	33421	33461	35193	35235	35270	35311	35352
		S/T	0.34	0.39	0.46	0.52	0.36	0.41	0.48	0.55	0.38	0.44	0.51	0.58	0.67	0.76	0.87	0.99
		PI	2.51	2.52	2.52	2.52	2.66	2.67	2.67	2.67	2.82	2.83	2.83	2.99	2.99	3.00	3.00	3.00
	86	TC	27269	27305	27336	27373	28907	28942	28976	29011	30642	30682	30722	32454	32496	32531	32572	32613
		S/T	0.35	0.40	0.46	0.53	0.37	0.42	0.49	0.56	0.39	0.44	0.52	0.59	0.67	0.77	0.88	0.99
		PI	2.56	2.56	2.56	2.57	2.71	2.71	2.72	2.72	2.87	2.88	2.88	3.04	3.05	3.05	3.05	3.06
	95	TC	27378	27415	27446	27483	29024	29058	29092	29127	30758	30798	30838	32570	32612	32648	32688	32729
		S/T	0.36	0.41	0.47	0.54	0.38	0.43	0.50	0.57	0.40	0.46	0.53	0.61	0.69	0.79	0.90	1.00
		PI	2.66	2.66	2.67	2.67	2.82	2.82	2.83	2.83	2.99	2.99	2.99	3.16	3.17	3.17	3.17	3.18
	104	TC	22641	22672	22697	22728	23990	24025	24059	24094	25725	25765	25805	27536	27579	27614	27655	27696
		S/T	0.37	0.43	0.50	0.57	0.40	0.45	0.53	0.60	0.42	0.48	0.56	0.64	0.73	0.83	0.94	1.00
		PI	2.45	2.45	2.46	2.46	2.60	2.60	2.60	2.61	2.75	2.76	2.76	2.93	2.93	2.94	2.94	2.94
	115	TC	18680	18705	18726	18751	19781	19815	19850	19884	21515	21555	21595	23327	23369	23405	23445	23486
		S/T	0.38	0.43	0.50	0.57	0.40	0.46	0.53	0.61	0.42	0.48	0.57	0.64	0.74	0.84	0.96	1.00
		PI	2.26	2.27	2.27	2.27	2.40	2.40	2.40	2.41	2.54	2.54	2.55	2.69	2.70	2.70	2.70	2.71
122	TC	14543	14562	14578	14598	15350	15401	15453	15505	17954	18014	18074	20675	20739	20792	20853	20914	
	S/T	0.39	0.45	0.52	0.59	0.41	0.47	0.55	0.63	0.44	0.50	0.59	0.67	0.76	0.87	0.99	1.00	
	PI	2.09	2.10	2.10	2.10	2.22	2.22	2.22	2.23	2.35	2.35	2.36	2.49	2.49	2.50	2.50	2.50	

PERFORMANCE DUCTED PLUS NON-DUCTED 36K HH (Sheet 3 of 4)

AIRFLOW (CFM)	OUTDOOR DB(°F)	ID WB (°F)	60.8				64.4				66.2				71.6			
		ID WB (°F)	73.4	77.0	80.6	84.2	73.4	77.0	80.6	84.2	73.4	77.0	80.6	84.20	73.4	77.0	80.6	84.2
High	-22	TC	37139	37189	37231	37281	39362	39413	39465	39517	41966	42026	42086	44687	44750	44804	44865	44926
		S/T	0.48	0.54	0.63	0.72	0.50	0.58	0.67	0.77	0.53	0.61	0.71	0.81	0.93	1.00	1.00	1.00
		PI	2.70	2.71	2.71	2.71	2.86	2.87	2.87	2.87	3.04	3.04	3.04	3.21	3.22	3.22	3.23	3.23
	-10	TC	37798	37849	37891	37942	40061	40113	40164	40216	42665	42725	42786	45386	45450	45503	45564	45625
		S/T	0.48	0.55	0.64	0.73	0.51	0.58	0.68	0.77	0.54	0.61	0.72	0.82	0.93	1.00	1.00	1.00
		PI	2.78	2.78	2.78	2.79	2.94	2.95	2.95	2.95	3.12	3.12	3.13	3.30	3.31	3.31	3.31	3.31
	0	TC	38346	38398	38441	38493	40644	40696	40747	40799	43248	43308	43369	45969	46033	46086	46147	46208
		S/T	0.48	0.55	0.64	0.73	0.51	0.58	0.68	0.78	0.54	0.62	0.72	0.82	0.94	1.00	1.00	1.00
		PI	2.84	2.84	2.85	2.85	3.01	3.01	3.02	3.02	3.19	3.19	3.20	3.38	3.38	3.38	3.39	3.39
	5	TC	38620	38672	38716	38768	40935	40987	41039	41091	43540	43600	43660	46261	46324	46377	46438	46500
		S/T	0.48	0.55	0.64	0.73	0.51	0.58	0.68	0.78	0.54	0.62	0.72	0.83	0.94	1.00	1.00	1.00
		PI	2.87	2.87	2.88	2.88	3.04	3.05	3.05	3.05	3.22	3.23	3.23	3.41	3.42	3.42	3.43	3.43
	14	TC	39114	39167	39211	39264	41460	41512	41563	41615	44064	44124	44185	46785	46849	46902	46963	47024
		S/T	0.49	0.55	0.65	0.74	0.51	0.59	0.69	0.78	0.55	0.62	0.73	0.83	0.95	1.00	1.00	1.00
		PI	2.93	2.93	2.93	2.94	3.10	3.11	3.11	3.11	3.29	3.29	3.30	3.48	3.49	3.49	3.49	3.50
	23	TC	39949	40003	40048	40102	42347	42399	42451	42503	44952	45012	45072	47673	47736	47789	47850	47912
		S/T	0.49	0.56	0.65	0.74	0.52	0.59	0.69	0.79	0.55	0.63	0.73	0.83	0.95	1.00	1.00	1.00
		PI	3.01	3.01	3.02	3.02	3.19	3.19	3.20	3.20	3.38	3.38	3.39	3.58	3.58	3.59	3.59	3.60
	32	TC	40955	41010	41056	41112	43416	43468	43520	43571	46021	46081	46141	48741	48805	48858	48919	48980
		S/T	0.49	0.56	0.65	0.75	0.52	0.59	0.69	0.79	0.55	0.63	0.74	0.84	0.96	1.00	1.00	1.00
		PI	3.10	3.11	3.11	3.12	3.29	3.29	3.30	3.30	3.49	3.49	3.50	3.69	3.70	3.70	3.71	3.71
	41	TC	40751	40806	40852	40907	43199	43251	43303	43354	45804	45864	45924	48524	48588	48641	48702	48763
		S/T	0.49	0.56	0.66	0.75	0.52	0.60	0.70	0.79	0.55	0.63	0.74	0.84	0.96	1.00	1.00	1.00
		PI	3.16	3.16	3.16	3.17	3.35	3.35	3.35	3.36	3.55	3.55	3.56	3.75	3.76	3.76	3.77	3.77
	50	TC	40668	40723	40769	40824	43112	43163	43215	43267	45716	45776	45836	48437	48500	48554	48615	48676
		S/T	0.50	0.57	0.66	0.75	0.53	0.60	0.70	0.80	0.56	0.63	0.74	0.85	0.96	1.00	1.00	1.00
		PI	3.24	3.24	3.24	3.25	3.43	3.43	3.44	3.44	3.64	3.64	3.64	3.85	3.85	3.86	3.86	3.87
	59	TC	42039	42096	42143	42200	44568	44620	44671	44723	47172	47232	47293	49893	49957	50010	50071	50132
		S/T	0.50	0.57	0.66	0.76	0.53	0.60	0.70	0.80	0.56	0.64	0.75	0.85	0.97	1.00	1.00	1.00
		PI	3.42	3.42	3.42	3.43	3.62	3.62	3.63	3.63	3.84	3.84	3.85	4.06	4.07	4.07	4.08	4.08
	68	TC	43410	43468	43517	43575	46024	46076	46128	46180	48629	48689	48749	51350	51413	51466	51527	51589
		S/T	0.50	0.57	0.67	0.76	0.53	0.60	0.71	0.81	0.56	0.64	0.75	0.86	0.97	1.00	1.00	1.00
		PI	3.59	3.60	3.60	3.61	3.81	3.82	3.82	3.82	4.04	4.04	4.05	4.28	4.28	4.29	4.29	4.30
	77	TC	44780	44840	44891	44951	47481	47533	47584	47636	50085	50145	50205	52806	52870	52923	52984	53045
		S/T	0.51	0.59	0.69	0.78	0.54	0.62	0.73	0.83	0.58	0.66	0.77	0.88	1.00	1.00	1.00	1.00
		PI	3.77	3.78	3.78	3.79	4.00	4.01	4.01	4.02	4.24	4.25	4.25	4.49	4.50	4.50	4.51	4.51
	86	TC	40943	40998	41044	41100	43404	43455	43507	43559	46008	46068	46128	48729	48792	48846	48907	48968
		S/T	0.52	0.59	0.69	0.79	0.55	0.63	0.74	0.84	0.59	0.67	0.78	0.89	1.00	1.00	1.00	1.00
		PI	3.84	3.84	3.85	3.85	4.07	4.07	4.08	4.08	4.31	4.32	4.32	4.56	4.57	4.58	4.58	4.59
	95	TC	41112	41167	41214	41269	43583	43635	43686	43738	46188	46248	46308	48908	48972	49025	49086	49147
		S/T	0.53	0.61	0.71	0.81	0.57	0.65	0.75	0.86	0.60	0.68	0.80	0.91	0.64	0.74	0.85	0.97
		PI	3.99	4.00	4.00	4.01	4.23	4.23	4.24	4.24	4.48	4.49	4.49	4.75	4.75	4.76	4.76	4.77
	104	TC	33994	34040	34078	34124	36020	36071	36123	36175	38624	38684	38744	41345	41409	41462	41523	41584
		S/T	0.56	0.64	0.75	0.85	0.59	0.68	0.79	0.90	0.63	0.72	0.84	0.96	1.00	1.00	1.00	1.00
		PI	3.68	3.68	3.69	3.69	3.90	3.90	3.91	3.91	4.13	4.14	4.14	4.40	4.40	4.41	4.41	4.42
	115	TC	28043	28080	28112	28150	29695	29747	29799	29850	32300	32360	32420	35020	35084	35137	35198	35259
		S/T	0.57	0.65	0.76	0.86	0.60	0.69	0.80	0.91	0.64	0.73	0.85	0.97	1.00	1.00	1.00	1.00
		PI	3.40	3.40	3.41	3.41	3.60	3.61	3.61	3.62	3.82	3.82	3.83	4.05	4.05	4.06	4.06	4.07
122	TC	23065	23096	23122	23153	24406	24458	24509	24561	27011	27071	27131	29731	29795	29848	29909	29970	
	S/T	0.59	0.67	0.78	0.89	0.62	0.71	0.83	0.95	0.66	0.75	0.88	1.00	1.00	1.00	1.00	1.00	
	PI	3.15	3.15	3.15	3.16	3.33	3.34	3.34	3.35	3.53	3.54	3.54	3.74	3.75	3.75	3.76	3.76	

PERFORMANCE DUCTED PLUS NON-DUCTED 36K HH (Sheet 4 of 4)

AIRFLOW (CFM)	OUTDOOR DB(°F)	ID WB (°F)	60.8				64.4				66.2				71.6			
			ID WB (°F)	73.4	77.0	80.6	84.2	73.4	77.0	80.6	84.2	73.4	77.0	80.6	84.20	73.4	77.0	80.6
Turbo	-22	TC	38910	38962	39006	39059	41249	41298	41346	41396	43714	43770	43827	46289	46349	46399	46457	46515
		S/T	0.50	0.57	0.66	0.76	0.53	0.60	0.70	0.80	0.56	0.64	0.74	0.85	0.97	1.00	1.00	1.00
		PI	2.82	2.82	2.83	2.83	2.99	2.99	2.99	3.00	3.17	3.17	3.17	3.35	3.36	3.36	3.37	3.37
	-10	TC	39636	39689	39734	39788	42018	42068	42118	42168	44529	44587	44645	47152	47214	47265	47324	47383
		S/T	0.50	0.57	0.67	0.76	0.53	0.60	0.71	0.81	0.56	0.64	0.75	0.85	0.97	1.00	1.00	1.00
		PI	2.90	2.90	2.91	2.91	3.07	3.08	3.08	3.09	3.26	3.26	3.27	3.45	3.45	3.46	3.46	3.47
	0	TC	40241	40295	40341	40395	42660	42710	42761	42812	45209	45268	45327	47872	47934	47987	48046	48106
		S/T	0.50	0.57	0.67	0.77	0.53	0.61	0.71	0.81	0.57	0.64	0.75	0.86	0.97	1.00	1.00	1.00
		PI	2.97	2.97	2.98	2.98	3.15	3.15	3.15	3.16	3.34	3.34	3.34	3.53	3.54	3.54	3.54	3.55
	5	TC	40544	40598	40644	40699	42981	43031	43082	43134	45549	45608	45667	48232	48295	48347	48407	48468
		S/T	0.50	0.58	0.67	0.77	0.54	0.61	0.71	0.81	0.57	0.65	0.76	0.86	0.97	1.00	1.00	1.00
		PI	3.00	3.01	3.01	3.01	3.18	3.19	3.19	3.19	3.37	3.38	3.38	3.57	3.58	3.58	3.59	3.59
	14	TC	41088	41144	41190	41245	43558	43609	43661	43713	46161	46221	46281	48880	48943	48997	49058	49119
		S/T	0.51	0.58	0.68	0.77	0.54	0.61	0.72	0.82	0.57	0.65	0.76	0.87	0.98	1.00	1.00	1.00
		PI	3.06	3.07	3.07	3.08	3.25	3.25	3.26	3.26	3.44	3.45	3.45	3.65	3.65	3.65	3.66	3.66
	23	TC	41937	41994	42041	42097	44458	44510	44563	44616	47114	47176	47237	49890	49955	50009	50071	50134
		S/T	0.51	0.58	0.68	0.78	0.54	0.62	0.72	0.82	0.57	0.65	0.76	0.87	0.98	1.00	1.00	1.00
		PI	3.15	3.16	3.16	3.17	3.34	3.35	3.35	3.36	3.54	3.55	3.55	3.75	3.76	3.76	3.77	3.77
	32	TC	42938	42996	43044	43102	45519	45573	45627	45681	48239	48302	48365	51081	51147	51203	51267	51330
		S/T	0.51	0.58	0.68	0.78	0.54	0.62	0.72	0.83	0.58	0.66	0.77	0.88	0.98	1.00	1.00	1.00
		PI	3.26	3.26	3.26	3.27	3.45	3.46	3.46	3.46	3.66	3.66	3.67	3.87	3.88	3.88	3.89	3.89
	41	TC	42731	42789	42837	42894	45299	45353	45407	45461	48006	48069	48131	50834	50900	50956	51019	51083
		S/T	0.52	0.59	0.69	0.78	0.55	0.62	0.73	0.83	0.58	0.66	0.77	0.88	0.98	1.00	1.00	1.00
		PI	3.31	3.32	3.32	3.33	3.51	3.52	3.52	3.52	3.72	3.73	3.73	3.94	3.95	3.95	3.96	3.96
	50	TC	42645	42702	42750	42807	45208	45261	45315	45369	47909	47971	48034	50731	50797	50852	50916	50979
		S/T	0.52	0.59	0.69	0.79	0.55	0.63	0.73	0.83	0.58	0.66	0.78	0.88	0.99	1.00	1.00	1.00
		PI	3.40	3.40	3.40	3.41	3.60	3.60	3.61	3.61	3.82	3.82	3.82	4.04	4.05	4.05	4.05	4.06
	59	TC	44008	44068	44117	44177	46653	46709	46764	46820	49441	49506	49570	52354	52422	52479	52544	52610
		S/T	0.52	0.59	0.69	0.79	0.55	0.63	0.74	0.84	0.58	0.67	0.78	0.89	0.99	1.00	1.00	1.00
		PI	3.58	3.58	3.59	3.59	3.79	3.80	3.80	3.81	4.02	4.03	4.03	4.26	4.26	4.27	4.27	4.28
	68	TC	45372	45433	45484	45546	48099	48156	48213	48271	50973	51040	51106	53976	54046	54105	54172	54240
		S/T	0.52	0.60	0.70	0.79	0.55	0.63	0.74	0.84	0.59	0.67	0.78	0.89	0.99	1.00	1.00	1.00
		PI	3.76	3.77	3.77	3.78	3.99	3.99	4.00	4.00	4.23	4.23	4.24	4.47	4.48	4.49	4.49	4.50
	77	TC	46736	46799	46851	46915	49545	49604	49663	49721	52506	52574	52642	55599	55671	55731	55801	55870
		S/T	0.54	0.61	0.72	0.82	0.57	0.65	0.76	0.86	0.60	0.69	0.80	0.92	1.00	1.00	1.00	1.00
		PI	3.94	3.95	3.95	3.96	4.18	4.19	4.19	4.20	4.43	4.44	4.44	4.69	4.70	4.70	4.71	4.71
	86	TC	42852	42909	42957	43015	45427	45481	45535	45589	48142	48204	48267	50978	51044	51099	51163	51227
		S/T	0.54	0.62	0.72	0.83	0.58	0.66	0.77	0.88	0.61	0.70	0.81	0.93	1.00	1.00	1.00	1.00
		PI	4.02	4.03	4.03	4.04	4.27	4.27	4.28	4.28	4.52	4.53	4.53	4.79	4.79	4.80	4.80	4.81
	95	TC	43004	43062	43110	43169	45589	45643	45697	45751	48313	48376	48439	51159	51226	51281	51345	51409
		S/T	0.56	0.64	0.74	0.85	0.59	0.67	0.79	0.90	0.63	0.71	0.84	0.95	1.00	1.00	1.00	1.00
		PI	4.18	4.19	4.19	4.20	4.43	4.44	4.44	4.45	4.70	4.71	4.71	4.98	4.98	4.99	4.99	5.00
	104	TC	35994	36043	36083	36132	38158	38203	38248	38294	40438	40490	40543	42820	42876	42922	42976	43029
		S/T	0.59	0.67	0.78	0.89	0.62	0.71	0.83	0.94	0.66	0.74	0.88	0.98	1.00	1.00	1.00	1.00
		PI	3.85	3.86	3.86	3.86	4.08	4.09	4.09	4.10	4.33	4.33	4.34	4.58	4.59	4.59	4.60	4.60
	115	TC	30130	30171	30205	30245	31941	31979	32017	32055	33850	33894	33938	35844	35891	35930	35974	36019
		S/T	0.59	0.68	0.79	0.90	0.63	0.72	0.84	0.95	0.67	0.74	0.89	0.99	1.00	1.00	1.00	1.00
		PI	3.55	3.56	3.56	3.56	3.76	3.77	3.77	3.78	3.99	3.99	4.00	4.22	4.23	4.23	4.24	4.24
122	TC	25224	25258	25287	25321	26740	26772	26804	26836	28338	28375	28412	30008	30047	30079	30117	30154	
	S/T	0.61	0.70	0.82	0.93	0.65	0.73	0.87	0.98	0.69	0.75	0.92	1.00	1.00	1.00	1.00	1.00	
	PI	3.28	3.29	3.29	3.29	3.48	3.48	3.49	3.49	3.69	3.69	3.70	3.90	3.91	3.91	3.92	3.92	

NOTE: Data highlighted in gray is extrapolated data and not actual test data. At 77°F outdoor conditions sweat protection activates causing a decrease in total capacity.

LEGEND

- TC - Total Net Capacity (Btu/hour)
- S/T: Sensible Cooling Capacity Ratio
- PI: Power Input (kW)
- Extrapolated Data

COOLING PERFORMANCE DUCTED PLUS NON-DUCTED

COOLING PERFORMANCE 48K

PERFORMANCE DUCTED PLUS NON-DUCTED 48K (Sheet 1 of 4)

AIRFLOW (CFM)	OUTDOOR DB(°F)	ID WB (°F)	60.8				64.4				66.2				71.6			
		ID WB (°F)	73.4	77.0	80.6	84.2	73.4	77.0	80.6	84.2	73.4	77.0	80.6	84.20	73.4	77.0	80.6	84.2
Low	-22	TC	20789	20817	20841	20869	22039	22065	22091	22117	23356	23386	23417	24745	24777	24804	24836	24867
		S/T	0.21	0.24	0.28	0.32	0.22	0.25	0.30	0.34	0.24	0.27	0.32	0.36	0.41	0.47	0.53	0.61
		PI	1.57	1.58	1.58	1.58	1.67	1.67	1.67	1.67	1.77	1.77	1.77	1.87	1.87	1.88	1.88	1.88
	-10	TC	21280	21309	21333	21362	22559	22586	22613	22640	23907	23938	23969	25298	25330	25357	25389	25420
		S/T	0.21	0.24	0.28	0.32	0.23	0.26	0.30	0.34	0.24	0.27	0.32	0.36	0.41	0.47	0.54	0.61
		PI	1.60	1.60	1.60	1.60	1.69	1.70	1.70	1.70	1.80	1.80	1.80	1.90	1.90	1.91	1.91	1.91
	0	TC	21689	21718	21743	21772	22993	23020	23047	23075	24367	24398	24430	25758	25791	25818	25849	25880
		S/T	0.21	0.24	0.28	0.32	0.23	0.26	0.30	0.34	0.24	0.27	0.32	0.36	0.42	0.47	0.54	0.62
		PI	1.62	1.62	1.62	1.63	1.72	1.72	1.72	1.72	1.82	1.82	1.82	1.93	1.93	1.93	1.93	1.94
	5	TC	21894	21923	21948	21977	23210	23237	23265	23292	24597	24629	24661	25989	26021	26048	26080	26111
		S/T	0.21	0.24	0.29	0.33	0.23	0.26	0.30	0.35	0.24	0.27	0.32	0.37	0.42	0.48	0.54	0.62
		PI	1.63	1.63	1.63	1.64	1.73	1.73	1.73	1.73	1.83	1.83	1.84	1.94	1.94	1.94	1.95	1.95
	14	TC	22262	22292	22317	22347	23600	23628	23656	23684	25010	25043	25075	26403	26436	26463	26494	26526
		S/T	0.22	0.25	0.29	0.33	0.23	0.26	0.30	0.35	0.24	0.28	0.32	0.37	0.42	0.48	0.54	0.62
		PI	1.65	1.65	1.65	1.66	1.75	1.75	1.75	1.75	1.85	1.86	1.86	1.96	1.96	1.97	1.97	1.97
	23	TC	22159	22189	22214	22244	23491	23519	23546	23574	24894	24927	24959	26287	26320	26347	26378	26409
		S/T	0.22	0.25	0.29	0.33	0.23	0.26	0.31	0.35	0.24	0.28	0.32	0.37	0.42	0.48	0.55	0.62
		PI	1.65	1.65	1.65	1.66	1.75	1.75	1.75	1.76	1.85	1.86	1.86	1.96	1.97	1.97	1.97	1.97
	32	TC	21820	21850	21874	21904	23132	23159	23187	23214	24514	24546	24578	25906	25938	25966	25997	26028
		S/T	0.22	0.25	0.29	0.33	0.23	0.26	0.31	0.35	0.24	0.28	0.33	0.37	0.42	0.48	0.55	0.63
		PI	1.64	1.64	1.65	1.65	1.74	1.74	1.74	1.75	1.84	1.85	1.85	1.95	1.96	1.96	1.96	1.96
	41	TC	22185	22215	22240	22270	23519	23547	23574	23602	24924	24956	24989	26317	26350	26377	26408	26439
		S/T	0.22	0.25	0.29	0.33	0.23	0.26	0.31	0.35	0.25	0.28	0.33	0.37	0.43	0.49	0.55	0.63
		PI	1.66	1.66	1.66	1.66	1.76	1.76	1.76	1.76	1.86	1.86	1.87	1.97	1.97	1.98	1.98	1.98
	50	TC	22699	22729	22755	22786	24063	24092	24120	24149	25501	25534	25567	26896	26928	26955	26986	27018
		S/T	0.22	0.25	0.29	0.33	0.23	0.27	0.31	0.35	0.25	0.28	0.33	0.38	0.43	0.49	0.56	0.63
		PI	1.68	1.69	1.69	1.69	1.78	1.79	1.79	1.79	1.89	1.89	1.90	2.00	2.01	2.01	2.01	2.01
	59	TC	22806	22837	22862	22893	24177	24205	24234	24263	25621	25655	25688	27016	27049	27076	27107	27138
		S/T	0.22	0.25	0.29	0.34	0.23	0.27	0.31	0.36	0.25	0.28	0.33	0.38	0.43	0.49	0.56	0.64
		PI	1.70	1.71	1.71	1.71	1.81	1.81	1.81	1.81	1.91	1.92	1.92	2.03	2.03	2.03	2.03	2.04
	68	TC	22913	22944	22969	23000	24290	24319	24348	24376	25741	25775	25808	27137	27169	27196	27227	27259
		S/T	0.22	0.25	0.30	0.34	0.24	0.27	0.31	0.36	0.25	0.28	0.33	0.38	0.43	0.49	0.56	0.64
		PI	1.73	1.73	1.73	1.73	1.83	1.83	1.83	1.84	1.94	1.94	1.94	2.05	2.05	2.06	2.06	2.06
	77	TC	23020	23051	23077	23108	24403	24432	24461	24490	25862	25895	25929	27257	27290	27317	27348	27379
		S/T	0.23	0.26	0.30	0.35	0.24	0.28	0.32	0.37	0.26	0.29	0.34	0.39	0.44	0.51	0.58	0.66
		PI	1.75	1.75	1.75	1.75	1.85	1.85	1.86	1.86	1.96	1.96	1.97	2.08	2.08	2.08	2.08	2.09
	86	TC	21310	21338	21362	21391	22590	22617	22644	22671	23940	23971	24002	25331	25363	25390	25422	25453
		S/T	0.23	0.26	0.31	0.35	0.24	0.28	0.33	0.37	0.26	0.30	0.35	0.39	0.45	0.51	0.58	0.67
		PI	1.96	1.96	1.96	1.96	2.07	2.08	2.08	2.08	2.20	2.20	2.20	2.33	2.33	2.33	2.33	2.34
	95	TC	20997	21025	21049	21077	22259	22285	22312	22338	23589	23620	23651	24979	25011	25038	25070	25101
		S/T	0.24	0.27	0.32	0.36	0.25	0.29	0.33	0.38	0.27	0.30	0.35	0.40	0.46	0.53	0.60	0.68
		PI	2.02	2.02	2.02	2.03	2.14	2.14	2.15	2.15	2.27	2.27	2.27	2.40	2.41	2.41	2.41	2.41
	104	TC	18330	18355	18375	18400	19432	19455	19478	19501	20593	20620	20647	21975	22007	22034	22066	22097
		S/T	0.25	0.28	0.33	0.38	0.26	0.30	0.35	0.40	0.28	0.32	0.37	0.42	0.48	0.55	0.63	0.72
		PI	1.49	1.50	1.50	1.50	1.58	1.59	1.59	1.59	1.68	1.68	1.68	1.81	1.81	1.82	1.82	1.82
	115	TC	16004	16026	16044	16066	16966	16986	17007	17027	17980	18004	18027	19355	19388	19415	19446	19477
		S/T	0.25	0.29	0.34	0.38	0.27	0.30	0.36	0.41	0.28	0.32	0.38	0.43	0.49	0.56	0.64	0.73
		PI	1.12	1.13	1.13	1.13	1.19	1.19	1.19	1.20	1.26	1.26	1.27	1.22	1.22	1.23	1.23	1.23
122	TC	13976	13995	14010	14029	14816	14833	14851	14869	15701	15722	15742	17734	17783	17824	17871	17917	
	S/T	0.26	0.30	0.35	0.40	0.28	0.31	0.37	0.42	0.29	0.33	0.39	0.44	0.51	0.58	0.66	0.75	
	PI	0.86	0.86	0.86	0.86	0.91	0.91	0.91	0.91	0.96	0.96	0.97	1.02	1.02	1.02	1.02	1.03	

PERFORMANCE DUCTED PLUS NON-DUCTED 48K (Sheet 2 of 4)

AIRFLOW (CFM)	OUTDOOR DB(°F)	ID WB (°F)	60.8				64.4				66.2				71.6			
		ID WB (°F)	73.4	77.0	80.6	84.2	73.4	77.0	80.6	84.2	73.4	77.0	80.6	84.2	73.4	77.0	80.6	84.2
		TC	S/T	PI	TC	S/T	PI	TC	S/T	PI	TC	S/T	PI	TC	S/T	PI	TC	S/T
Med	-22	TC	29806	29846	29880	29920	31597	31635	31673	31711	33506	33550	33595	35502	35548	35587	35632	35677
		S/T	0.32	0.36	0.42	0.48	0.34	0.38	0.45	0.51	0.36	0.41	0.47	0.54	0.62	0.70	0.80	0.91
		PI	2.35	2.36	2.36	2.36	2.50	2.50	2.50	2.50	2.64	2.65	2.65	2.80	2.80	2.81	2.81	2.81
	-10	TC	30552	30593	30628	30669	32390	32427	32465	32503	34299	34343	34387	36294	36341	36380	36425	36470
		S/T	0.32	0.36	0.43	0.49	0.34	0.39	0.45	0.51	0.36	0.41	0.48	0.54	0.62	0.71	0.81	0.92
		PI	2.39	2.39	2.40	2.40	2.53	2.54	2.54	2.54	2.69	2.69	2.69	2.84	2.85	2.85	2.85	2.85
	0	TC	31174	31216	31251	31293	33050	33088	33126	33164	34960	35004	35048	36955	37002	37041	37085	37130
		S/T	0.32	0.37	0.43	0.49	0.34	0.39	0.45	0.52	0.36	0.41	0.48	0.55	0.62	0.71	0.81	0.93
		PI	2.42	2.43	2.43	2.43	2.57	2.57	2.57	2.58	2.72	2.72	2.73	2.88	2.89	2.89	2.89	2.90
	5	TC	31485	31527	31563	31605	33381	33418	33456	33494	35290	35334	35378	37285	37332	37371	37416	37461
		S/T	0.32	0.37	0.43	0.49	0.34	0.39	0.45	0.52	0.36	0.41	0.48	0.55	0.63	0.71	0.81	0.93
		PI	2.44	2.44	2.44	2.45	2.58	2.59	2.59	2.59	2.74	2.74	2.75	2.90	2.90	2.91	2.91	2.91
	14	TC	32045	32088	32124	32167	33975	34013	34051	34089	35885	35929	35973	37880	37927	37966	38010	38055
		S/T	0.32	0.37	0.43	0.49	0.34	0.39	0.46	0.52	0.36	0.41	0.48	0.55	0.63	0.72	0.82	0.93
		PI	2.47	2.47	2.47	2.48	2.61	2.62	2.62	2.62	2.77	2.77	2.78	2.93	2.94	2.94	2.94	2.95
	23	TC	31889	31932	31968	32011	33810	33848	33886	33924	35720	35764	35808	37715	37762	37801	37845	37890
		S/T	0.33	0.37	0.43	0.49	0.34	0.39	0.46	0.52	0.37	0.42	0.49	0.56	0.63	0.72	0.82	0.94
		PI	2.47	2.47	2.47	2.48	2.61	2.62	2.62	2.62	2.77	2.77	2.78	2.93	2.94	2.94	2.94	2.95
	32	TC	31376	31419	31454	31496	33265	33303	33341	33379	35175	35219	35263	37170	37217	37256	37300	37345
		S/T	0.33	0.37	0.44	0.50	0.35	0.39	0.46	0.53	0.37	0.42	0.49	0.56	0.64	0.73	0.83	0.94
		PI	2.45	2.46	2.46	2.46	2.60	2.60	2.61	2.61	2.76	2.76	2.76	2.92	2.92	2.93	2.93	2.93
	41	TC	31930	31973	32009	32052	33854	33891	33929	33967	35763	35807	35851	37758	37805	37844	37889	37933
		S/T	0.33	0.37	0.44	0.50	0.35	0.40	0.46	0.53	0.37	0.42	0.49	0.56	0.64	0.73	0.83	0.95
		PI	2.48	2.48	2.48	2.49	2.63	2.63	2.63	2.64	2.78	2.79	2.79	2.95	2.95	2.95	2.96	2.96
	50	TC	32709	32753	32790	32834	34682	34720	34758	34796	36592	36636	36680	38587	38633	38672	38717	38762
		S/T	0.33	0.38	0.44	0.50	0.35	0.40	0.47	0.53	0.37	0.42	0.49	0.56	0.64	0.73	0.83	0.95
		PI	2.52	2.52	2.52	2.53	2.67	2.67	2.67	2.68	2.83	2.83	2.83	2.99	3.00	3.00	3.00	3.01
	59	TC	32875	32919	32956	33000	34857	34895	34933	34971	36767	36811	36855	38762	38809	38848	38893	38937
		S/T	0.33	0.38	0.44	0.50	0.35	0.40	0.47	0.53	0.37	0.42	0.50	0.57	0.65	0.74	0.84	0.96
		PI	2.55	2.55	2.55	2.56	2.70	2.70	2.71	2.71	2.86	2.87	2.87	3.03	3.04	3.04	3.04	3.05
	68	TC	33040	33084	33122	33166	35033	35071	35109	35147	36943	36987	37031	38938	38985	39024	39068	39113
		S/T	0.33	0.38	0.44	0.51	0.35	0.40	0.47	0.54	0.37	0.43	0.50	0.57	0.65	0.74	0.84	0.96
		PI	2.58	2.58	2.59	2.59	2.73	2.74	2.74	2.74	2.90	2.90	2.91	3.07	3.07	3.08	3.08	3.08
	77	TC	33205	33250	33287	33332	35209	35247	35285	35323	37118	37162	37207	39114	39160	39199	39244	39289
		S/T	0.34	0.39	0.46	0.52	0.36	0.41	0.48	0.55	0.38	0.44	0.51	0.58	0.67	0.76	0.87	0.99
		PI	2.61	2.61	2.62	2.62	2.77	2.77	2.77	2.78	2.93	2.94	2.94	3.11	3.11	3.11	3.12	3.12
	86	TC	30616	30658	30692	30733	32458	32496	32534	32572	34367	34411	34456	36362	36409	36448	36493	36538
		S/T	0.35	0.40	0.46	0.53	0.37	0.42	0.49	0.56	0.39	0.44	0.52	0.59	0.67	0.77	0.88	0.99
		PI	2.92	2.93	2.93	2.93	3.10	3.10	3.11	3.11	3.28	3.29	3.29	3.48	3.48	3.49	3.49	3.49
	95	TC	30146	30187	30221	30261	31958	31996	32034	32072	33868	33912	33956	35863	35909	35948	35993	36038
		S/T	0.36	0.41	0.47	0.54	0.38	0.43	0.50	0.57	0.40	0.46	0.53	0.61	0.69	0.79	0.90	1.00
		PI	3.02	3.02	3.03	3.03	3.20	3.20	3.21	3.21	3.39	3.40	3.40	3.59	3.60	3.60	3.60	3.61
	104	TC	26047	26082	26111	26147	27602	27640	27678	27716	29512	29556	29600	31507	31554	31593	31637	31682
		S/T	0.37	0.43	0.50	0.57	0.40	0.45	0.53	0.60	0.42	0.48	0.56	0.64	0.73	0.83	0.94	1.00
		PI	2.23	2.23	2.24	2.24	2.37	2.37	2.37	2.37	2.51	2.51	2.51	2.70	2.71	2.71	2.72	2.72
	115	TC	22478	22508	22533	22563	23809	23847	23885	23923	25719	25763	25807	27714	27761	27800	27844	27889
		S/T	0.38	0.43	0.50	0.57	0.40	0.46	0.53	0.61	0.42	0.48	0.57	0.65	0.74	0.84	0.96	1.00
		PI	1.67	1.68	1.68	1.68	1.78	1.78	1.78	1.78	1.88	1.88	1.89	1.82	1.82	1.82	1.83	1.83
122	TC	18461	18486	18506	18531	19503	19560	19617	19674	22371	22438	22504	25368	25438	25497	25564	25632	
	S/T	0.39	0.45	0.52	0.59	0.41	0.47	0.55	0.63	0.44	0.50	0.59	0.67	0.76	0.87	0.99	1.00	
	PI	1.28	1.28	1.28	1.28	1.35	1.35	1.35	1.36	1.43	1.44	1.44	1.52	1.52	1.52	1.52	1.53	

PERFORMANCE DUCTED PLUS NON-DUCTED 48K (Sheet 3 of 4)

AIRFLOW (CFM)	OUTDOOR DB(°F)	ID WB (°F)		60.8				64.4				66.2				71.6			
		ID WB (°F)		73.4	77.0	80.6	84.2	73.4	77.0	80.6	84.2	73.4	77.0	80.6	84.2	73.4	77.0	80.6	84.2
		TC	S/T	PI	TC	S/T	PI	TC	S/T	PI	TC	S/T	PI	TC	S/T	PI	TC	S/T	PI
High	-22	TC	44769	44829	44879	44940	47458	47515	47572	47629	50327	50393	50459	53324	53394	53452	53520	53587	
		S/T	0.48	0.54	0.63	0.72	0.50	0.58	0.67	0.77	0.53	0.61	0.71	0.81	0.93	1.00	1.00	1.00	
		PI	3.54	3.55	3.55	3.55	3.75	3.76	3.76	3.77	3.98	3.98	3.99	4.21	4.22	4.22	4.23	4.23	
	-10	TC	45889	45951	46003	46065	48649	48706	48763	48820	51518	51584	51650	54514	54585	54643	54710	54778	
		S/T	0.48	0.55	0.64	0.73	0.51	0.58	0.68	0.77	0.54	0.61	0.72	0.82	0.93	1.00	1.00	1.00	
		PI	3.60	3.60	3.60	3.61	3.81	3.82	3.82	3.83	4.04	4.04	4.05	4.28	4.28	4.29	4.29	4.30	
	0	TC	46823	46886	46939	47002	49641	49698	49755	49812	52510	52576	52642	55507	55577	55636	55703	55770	
		S/T	0.48	0.55	0.64	0.73	0.51	0.58	0.68	0.78	0.54	0.62	0.72	0.82	0.94	1.00	1.00	1.00	
		PI	3.64	3.65	3.65	3.65	3.86	3.86	3.87	3.87	4.09	4.10	4.10	4.33	4.34	4.34	4.35	4.35	
	5	TC	47290	47354	47407	47471	50138	50194	50251	50308	53006	53072	53138	56003	56073	56132	56199	56266	
		S/T	0.48	0.55	0.64	0.73	0.51	0.58	0.68	0.78	0.54	0.62	0.72	0.83	0.94	1.00	1.00	1.00	
		PI	3.66	3.67	3.67	3.68	3.88	3.89	3.89	3.90	4.12	4.12	4.13	4.36	4.36	4.37	4.37	4.38	
	14	TC	48131	48195	48249	48315	51031	51087	51144	51202	53899	53965	54032	56896	56966	57025	57092	57159	
		S/T	0.49	0.55	0.65	0.74	0.51	0.59	0.69	0.78	0.55	0.62	0.73	0.83	0.95	1.00	1.00	1.00	
		PI	3.70	3.71	3.71	3.72	3.93	3.93	3.94	3.94	4.16	4.17	4.17	4.41	4.41	4.42	4.42	4.43	
	23	TC	47898	47962	48016	48081	50783	50840	50897	50954	53652	53718	53784	56648	56718	56777	56844	56912	
		S/T	0.49	0.56	0.65	0.74	0.52	0.59	0.69	0.79	0.55	0.63	0.73	0.83	0.95	1.00	1.00	1.00	
		PI	3.71	3.71	3.71	3.72	3.93	3.93	3.94	3.94	4.16	4.17	4.17	4.41	4.41	4.42	4.42	4.43	
	32	TC	47128	47191	47244	47308	49965	50022	50079	50136	52834	52900	52966	55830	55900	55959	56026	56094	
		S/T	0.49	0.56	0.65	0.75	0.52	0.59	0.69	0.79	0.55	0.63	0.74	0.84	0.96	1.00	1.00	1.00	
		PI	3.69	3.69	3.70	3.70	3.91	3.91	3.92	3.92	4.14	4.15	4.15	4.39	4.39	4.40	4.40	4.41	
	41	TC	47959	48023	48077	48142	50848	50905	50962	51019	53717	53783	53849	56714	56784	56842	56909	56977	
		S/T	0.49	0.56	0.66	0.75	0.52	0.60	0.70	0.79	0.55	0.63	0.74	0.84	0.96	1.00	1.00	1.00	
		PI	3.72	3.73	3.73	3.74	3.95	3.95	3.96	3.96	4.18	4.19	4.19	4.43	4.44	4.44	4.45	4.45	
	50	TC	49129	49196	49251	49317	52092	52149	52206	52263	54961	55027	55093	57957	58027	58086	58153	58221	
		S/T	0.50	0.57	0.66	0.75	0.53	0.60	0.70	0.80	0.56	0.63	0.74	0.85	0.96	1.00	1.00	1.00	
		PI	3.78	3.79	3.79	3.80	4.01	4.01	4.02	4.02	4.25	4.25	4.26	4.50	4.51	4.51	4.52	4.52	
	59	TC	49378	49445	49500	49567	52356	52413	52470	52527	55225	55291	55357	58222	58292	58350	58418	58485	
		S/T	0.50	0.57	0.66	0.76	0.53	0.60	0.70	0.80	0.56	0.64	0.75	0.85	0.97	1.00	1.00	1.00	
		PI	3.83	3.83	3.84	3.84	4.06	4.06	4.07	4.07	4.30	4.31	4.31	4.55	4.56	4.57	4.57	4.58	
	68	TC	49627	49694	49749	49816	52621	52677	52734	52791	55489	55555	55621	58486	58556	58615	58682	58749	
		S/T	0.50	0.57	0.67	0.76	0.53	0.60	0.71	0.81	0.56	0.64	0.75	0.86	0.97	1.00	1.00	1.00	
		PI	3.88	3.88	3.88	3.89	4.11	4.11	4.12	4.12	4.35	4.36	4.37	4.61	4.62	4.62	4.63	4.63	
	77	TC	49876	49943	49999	50066	52885	52942	52999	53056	55753	55819	55886	58750	58820	58879	58946	59013	
		S/T	0.51	0.59	0.69	0.78	0.54	0.62	0.73	0.83	0.58	0.66	0.77	0.88	1.00	1.00	1.00	1.00	
		PI	3.92	3.93	3.93	3.94	4.16	4.16	4.17	4.17	4.41	4.41	4.42	4.67	4.67	4.68	4.68	4.69	
	86	TC	45989	46051	46102	46165	48755	48812	48869	48926	51623	51690	51756	54620	54690	54749	54816	54883	
		S/T	0.52	0.59	0.69	0.79	0.55	0.63	0.74	0.84	0.59	0.67	0.78	0.89	1.00	1.00	1.00	1.00	
		PI	4.39	4.40	4.40	4.41	4.66	4.66	4.67	4.67	4.93	4.94	4.95	5.23	5.23	5.24	5.24	5.25	
	95	TC	45283	45344	45395	45456	48005	48062	48119	48176	50874	50940	51006	53870	53941	53999	54066	54134	
		S/T	0.53	0.61	0.71	0.81	0.57	0.65	0.75	0.86	0.60	0.68	0.80	0.91	0.64	0.74	0.85	0.97	
		PI	4.54	4.54	4.55	4.55	4.81	4.81	4.82	4.83	5.10	5.10	5.11	5.40	5.40	5.41	5.42	5.42	
	104	TC	39119	39172	39216	39269	41455	41512	41569	41626	44324	44390	44456	47320	47391	47449	47516	47584	
		S/T	0.56	0.64	0.75	0.85	0.59	0.68	0.79	0.90	0.63	0.72	0.84	0.96	1.00	1.00	1.00	1.00	
		PI	3.35	3.35	3.36	3.36	3.55	3.55	3.56	3.56	3.76	3.76	3.77	4.06	4.06	4.07	4.08	4.08	
	115	TC	33753	33798	33836	33882	35752	35809	35866	35923	38621	38687	38753	41618	41688	41746	41814	41881	
		S/T	0.57	0.65	0.76	0.86	0.60	0.69	0.80	0.91	0.64	0.73	0.85	0.97	1.00	1.00	1.00	1.00	
		PI	2.51	2.51	2.51	2.52	2.66	2.66	2.67	2.67	2.82	2.82	2.83	2.72	2.72	2.73	2.74	2.74	
122	TC	29079	29119	29151	29191	30787	30843	30900	30957	33655	33721	33787	36652	36722	36781	36848	36915		
	S/T	0.59	0.67	0.78	0.89	0.62	0.71	0.83	0.95	0.66	0.75	0.88	1.00	1.00	1.00	1.00	1.00		
	PI	1.91	1.91	1.91	1.92	2.02	2.03	2.03	2.03	2.14	2.15	2.15	2.27	2.27	2.28	2.28	2.28		

PERFORMANCE DUCTED PLUS NON-DUCTED 48K (Sheet 4 of 4)

AIRFLOW (CFM)	OUTDOOR DB(°F)	ID WB (°F)	60.8				64.4				66.2				71.6			
		ID WB (°F)	73.4	77.0	80.6	84.2	73.4	77.0	80.6	84.2	73.4	77.0	80.6	84.2	73.4	77.0	80.6	84.2
Turbo	-22	TC	46793	46856	46909	46972	49606	49665	49723	49782	52570	52638	52707	55667	55739	55800	55869	55939
		S/T	0.50	0.57	0.66	0.76	0.53	0.60	0.70	0.80	0.56	0.64	0.74	0.85	0.97	1.00	1.00	1.00
		PI	3.68	3.69	3.69	3.70	3.90	3.91	3.91	3.92	4.14	4.14	4.15	4.38	4.39	4.39	4.40	4.40
	-10	TC	47898	47962	48016	48081	50777	50837	50897	50957	53811	53881	53951	56981	57055	57117	57188	57259
		S/T	0.50	0.57	0.67	0.76	0.53	0.60	0.71	0.81	0.56	0.64	0.75	0.85	0.97	1.00	1.00	1.00
		PI	3.74	3.75	3.75	3.76	3.97	3.97	3.98	3.98	4.21	4.21	4.22	4.45	4.46	4.46	4.47	4.48
	0	TC	48818	48884	48939	49005	51752	51814	51875	51937	54845	54916	54988	58076	58151	58214	58287	58359
		S/T	0.50	0.57	0.67	0.77	0.53	0.61	0.71	0.81	0.57	0.64	0.75	0.86	0.97	1.00	1.00	1.00
		PI	3.79	3.80	3.80	3.81	4.02	4.03	4.03	4.04	4.26	4.27	4.27	4.51	4.52	4.52	4.53	4.54
	5	TC	49278	49345	49400	49467	52240	52302	52364	52426	55362	55434	55506	58623	58699	58763	58836	58909
		S/T	0.50	0.58	0.67	0.77	0.54	0.61	0.71	0.81	0.57	0.65	0.76	0.86	0.97	1.00	1.00	1.00
		PI	3.82	3.82	3.83	3.83	4.05	4.05	4.06	4.06	4.29	4.30	4.30	4.54	4.55	4.55	4.56	4.57
	14	TC	50107	50174	50230	50298	53118	53181	53244	53307	56292	56366	56439	59608	59686	59751	59825	59900
		S/T	0.51	0.58	0.68	0.77	0.54	0.61	0.72	0.82	0.57	0.65	0.76	0.87	0.98	1.00	1.00	1.00
		PI	3.87	3.87	3.87	3.88	4.10	4.10	4.11	4.11	4.34	4.35	4.35	4.60	4.60	4.61	4.62	4.62
	23	TC	49876	49943	49999	50067	52874	52937	52999	53062	56034	56106	56179	59334	59412	59476	59550	59624
		S/T	0.51	0.58	0.68	0.78	0.54	0.62	0.72	0.82	0.57	0.65	0.76	0.87	0.98	1.00	1.00	1.00
		PI	3.87	3.87	3.88	3.88	4.10	4.10	4.11	4.11	4.34	4.35	4.36	4.60	4.61	4.61	4.62	4.62
	32	TC	49117	49183	49238	49304	52069	52130	52192	52254	55180	55252	55324	58431	58507	58570	58643	58716
		S/T	0.51	0.58	0.68	0.78	0.54	0.62	0.72	0.83	0.58	0.66	0.77	0.88	0.98	1.00	1.00	1.00
		PI	3.85	3.85	3.86	3.86	4.08	4.08	4.09	4.09	4.32	4.33	4.33	4.58	4.58	4.59	4.59	4.60
	41	TC	49936	50004	50060	50127	52938	53000	53063	53126	56101	56174	56247	59406	59483	59548	59622	59696
		S/T	0.52	0.59	0.69	0.78	0.55	0.62	0.73	0.83	0.58	0.66	0.77	0.88	0.98	1.00	1.00	1.00
		PI	3.88	3.89	3.89	3.90	4.12	4.12	4.13	4.13	4.36	4.37	4.38	4.62	4.63	4.63	4.64	4.64
	50	TC	51091	51159	51217	51286	54161	54226	54290	54354	57398	57472	57547	60779	60858	60924	61000	61076
		S/T	0.52	0.59	0.69	0.79	0.55	0.63	0.73	0.83	0.58	0.66	0.78	0.88	0.99	1.00	1.00	1.00
		PI	3.95	3.95	3.95	3.96	4.18	4.19	4.19	4.20	4.43	4.44	4.44	4.69	4.70	4.70	4.71	4.72
	59	TC	51335	51404	51461	51531	54420	54484	54549	54614	57672	57747	57822	61069	61149	61215	61291	61368
		S/T	0.52	0.59	0.69	0.79	0.55	0.63	0.74	0.84	0.58	0.67	0.78	0.89	0.99	1.00	1.00	1.00
		PI	3.99	4.00	4.00	4.01	4.23	4.24	4.25	4.25	4.49	4.49	4.50	4.75	4.76	4.76	4.77	4.77
	68	TC	51578	51648	51706	51775	54678	54743	54808	54873	57946	58021	58097	61359	61439	61506	61582	61659
		S/T	0.52	0.60	0.70	0.79	0.55	0.63	0.74	0.84	0.59	0.67	0.78	0.89	0.99	1.00	1.00	1.00
		PI	4.04	4.05	4.05	4.06	4.29	4.29	4.30	4.30	4.54	4.55	4.55	4.81	4.82	4.82	4.83	4.83
	77	TC	51822	51892	51950	52020	54937	55002	55067	55132	58220	58295	58371	61649	61729	61797	61873	61950
		S/T	0.54	0.61	0.72	0.82	0.57	0.65	0.76	0.86	0.60	0.69	0.80	0.92	1.00	1.00	1.00	1.00
		PI	4.09	4.10	4.10	4.11	4.34	4.34	4.35	4.35	4.60	4.60	4.61	4.87	4.87	4.88	4.89	4.89
	86	TC	47987	48051	48105	48170	50871	50931	50991	51052	53911	53981	54051	57086	57161	57223	57294	57365
		S/T	0.54	0.62	0.72	0.83	0.58	0.66	0.77	0.88	0.61	0.70	0.81	0.93	1.00	1.00	1.00	1.00
		PI	4.58	4.59	4.59	4.60	4.86	4.86	4.87	4.88	5.15	5.16	5.16	5.45	5.46	5.46	5.47	5.48
	95	TC	47289	47353	47406	47470	50131	50191	50250	50310	53127	53196	53265	56256	56330	56391	56461	56531
		S/T	0.56	0.64	0.74	0.85	0.59	0.67	0.79	0.90	0.63	0.71	0.84	0.95	1.00	1.00	1.00	1.00
		PI	4.73	4.74	4.75	4.75	5.02	5.02	5.03	5.04	5.32	5.33	5.33	5.63	5.64	5.64	5.65	5.66
	104	TC	41235	41291	41337	41393	43714	43766	43818	43870	46326	46386	46447	49055	49119	49172	49233	49295
		S/T	0.59	0.67	0.78	0.89	0.62	0.71	0.83	0.94	0.66	0.74	0.88	0.98	1.00	1.00	1.00	1.00
		PI	3.51	3.51	3.52	3.52	3.72	3.72	3.73	3.73	3.94	3.95	3.95	4.17	4.18	4.18	4.19	4.19
	115	TC	35963	36011	36051	36100	38124	38169	38214	38260	40402	40455	40507	42782	42838	42884	42938	42991
		S/T	0.59	0.68	0.79	0.90	0.63	0.72	0.84	0.95	0.67	0.74	0.89	0.99	1.00	1.00	1.00	1.00
		PI	2.64	2.64	2.65	2.65	2.80	2.80	2.81	2.81	2.97	2.97	2.98	3.14	3.15	3.15	3.15	3.16
122	TC	31369	31411	31446	31489	33254	33294	33333	33373	35242	35287	35333	37318	37366	37407	37453	37500	
	S/T	0.61	0.70	0.82	0.93	0.65	0.73	0.87	0.98	0.69	0.75	0.92	1.00	1.00	1.00	1.00	1.00	
	PI	2.02	2.02	2.02	2.03	2.14	2.14	2.14	2.15	2.27	2.27	2.27	2.40	2.40	2.41	2.41	2.41	

NOTE: Data highlighted in gray is extrapolated data and not actual test data. At 77°F outdoor conditions sweat protection activates causing a decrease in total capacity.

LEGEND

- TC - Total Net Capacity (Btu/hour)
- S/T: Sensible Cooling Capacity Ratio
- PI: Power Input (kW)
- Extrapolated Data

COOLING PERFORMANCE DUCTED PLUS NON-DUCTED

COOLING PERFORMANCE 48K (HYPER)

PERFORMANCE DUCTED PLUS NON-DUCTED 48K HYPER (Sheet 1 of 4)

AIRFLOW (CFM)	OUTDOOR DB(°F)	ID WB (°F) ID WB (°F)	60.8				64.4				66.2				71.6			
			73.4	77.0	80.6	84.2	73.4	77.0	80.6	84.2	73.4	77.0	80.6	84.20	73.4	77.0	80.6	84.2
Low	-22	TC	21336	21365	21389	21417	22618	22645	22672	22699	23970	24001	24032	25323	25355	25381	25411	25442
		S/T	0.21	0.24	0.28	0.32	0.22	0.25	0.30	0.34	0.24	0.27	0.32	0.36	0.41	0.47	0.53	0.61
		PI	0.86	0.86	0.86	0.86	0.91	0.91	0.91	0.91	0.96	0.97	0.97	1.02	1.02	1.02	1.03	1.03
	-10	TC	21633	21662	21686	21715	22933	22960	22987	23015	24303	24335	24367	25658	25689	25716	25746	25776
		S/T	0.21	0.24	0.28	0.32	0.23	0.26	0.30	0.34	0.24	0.27	0.32	0.36	0.41	0.47	0.54	0.61
		PI	0.96	0.96	0.96	0.96	1.02	1.02	1.02	1.02	1.08	1.08	1.08	1.14	1.14	1.14	1.15	1.15
	0	TC	21880	21910	21934	21964	23195	23223	23250	23278	24582	24613	24645	25937	25968	25995	26025	26055
		S/T	0.21	0.24	0.28	0.32	0.23	0.26	0.30	0.34	0.24	0.27	0.32	0.36	0.42	0.47	0.54	0.62
		PI	1.04	1.04	1.05	1.05	1.11	1.11	1.11	1.11	1.17	1.17	1.17	1.24	1.24	1.24	1.25	1.25
	5	TC	22004	22034	22058	22088	23327	23354	23382	23410	24721	24753	24785	26076	26107	26134	26164	26195
		S/T	0.21	0.24	0.29	0.33	0.23	0.26	0.30	0.35	0.24	0.27	0.32	0.37	0.42	0.48	0.54	0.62
		PI	1.08	1.09	1.09	1.09	1.15	1.15	1.15	1.15	1.22	1.22	1.22	1.29	1.29	1.29	1.30	1.30
	14	TC	22227	22257	22282	22312	23563	23591	23619	23647	24971	25003	25036	26327	26358	26385	26415	26445
		S/T	0.22	0.25	0.29	0.33	0.23	0.26	0.30	0.35	0.24	0.28	0.32	0.37	0.42	0.48	0.54	0.62
		PI	1.16	1.16	1.16	1.16	1.23	1.23	1.23	1.23	1.30	1.31	1.31	1.38	1.38	1.38	1.39	1.39
	23	TC	22450	22480	22505	22536	23799	23827	23856	23884	25221	25254	25287	26578	26609	26636	26666	26697
		S/T	0.22	0.25	0.29	0.33	0.23	0.26	0.31	0.35	0.24	0.28	0.32	0.37	0.42	0.48	0.55	0.62
		PI	1.19	1.19	1.19	1.19	1.26	1.26	1.26	1.26	1.33	1.33	1.34	1.41	1.41	1.41	1.42	1.42
	32	TC	22673	22703	22729	22759	24036	24064	24093	24121	25472	25505	25538	26829	26861	26887	26917	26948
		S/T	0.22	0.25	0.29	0.33	0.23	0.26	0.31	0.35	0.24	0.28	0.33	0.37	0.42	0.48	0.55	0.63
		PI	1.19	1.19	1.19	1.19	1.26	1.26	1.26	1.26	1.33	1.34	1.34	1.41	1.41	1.42	1.42	1.42
	41	TC	23141	23172	23198	23230	24532	24561	24590	24619	25998	26032	26066	27357	27388	27415	27445	27475
		S/T	0.22	0.25	0.29	0.33	0.23	0.26	0.31	0.35	0.25	0.28	0.33	0.37	0.43	0.49	0.55	0.63
		PI	1.27	1.27	1.28	1.28	1.35	1.35	1.35	1.35	1.43	1.43	1.43	1.51	1.52	1.52	1.52	1.52
	50	TC	23360	23391	23417	23449	24764	24793	24822	24852	26243	26278	26312	27603	27634	27661	27691	27721
		S/T	0.22	0.25	0.29	0.33	0.23	0.27	0.31	0.35	0.25	0.28	0.33	0.38	0.43	0.49	0.56	0.63
		PI	1.38	1.38	1.38	1.38	1.46	1.46	1.46	1.47	1.55	1.55	1.55	1.64	1.64	1.64	1.64	1.65
	59	TC	22833	22863	22889	22920	24205	24234	24263	24291	25652	25685	25718	27009	27041	27067	27098	27128
		S/T	0.22	0.25	0.29	0.34	0.23	0.27	0.31	0.36	0.25	0.28	0.33	0.38	0.43	0.49	0.56	0.64
		PI	1.44	1.44	1.44	1.44	1.53	1.53	1.53	1.53	1.62	1.62	1.62	1.71	1.71	1.72	1.72	1.72
	68	TC	22306	22336	22361	22391	23647	23675	23703	23731	25060	25092	25125	26416	26447	26474	26504	26534
		S/T	0.22	0.25	0.30	0.34	0.24	0.27	0.31	0.36	0.25	0.28	0.33	0.38	0.43	0.49	0.56	0.64
		PI	1.50	1.50	1.50	1.51	1.59	1.59	1.59	1.60	1.69	1.69	1.69	1.78	1.79	1.79	1.79	1.79
	77	TC	21779	21808	21833	21862	23088	23115	23143	23170	24468	24499	24531	25822	25854	25880	25911	25941
		S/T	0.23	0.26	0.30	0.35	0.24	0.28	0.32	0.37	0.26	0.29	0.34	0.39	0.44	0.51	0.58	0.66
		PI	1.56	1.56	1.57	1.57	1.66	1.66	1.66	1.66	1.75	1.76	1.76	1.86	1.86	1.86	1.86	1.87
	86	TC	20996	21024	21047	21076	22258	22284	22310	22337	23588	23618	23649	24940	24972	24998	25028	25059
		S/T	0.23	0.26	0.31	0.35	0.24	0.28	0.33	0.37	0.26	0.30	0.35	0.39	0.45	0.51	0.58	0.67
		PI	1.79	1.79	1.79	1.80	1.90	1.90	1.90	1.90	2.01	2.01	2.02	2.13	2.13	2.14	2.14	2.14
	95	TC	20410	20437	20460	20487	21636	21662	21687	21713	22929	22959	22989	24280	24311	24338	24368	24398
		S/T	0.24	0.27	0.32	0.36	0.25	0.29	0.33	0.38	0.27	0.30	0.35	0.40	0.46	0.53	0.60	0.68
		PI	1.89	1.89	1.90	1.90	2.00	2.01	2.01	2.01	2.12	2.13	2.13	2.25	2.25	2.25	2.26	2.26
	104	TC	17877	17901	17921	17945	18952	18974	18996	19019	20084	20110	20136	21427	21459	21485	21516	21546
		S/T	0.25	0.28	0.33	0.38	0.26	0.30	0.35	0.40	0.28	0.32	0.37	0.42	0.48	0.55	0.63	0.72
		PI	1.75	1.76	1.76	1.76	1.86	1.86	1.86	1.87	1.97	1.97	1.97	2.09	2.10	2.10	2.10	2.11
	115	TC	15663	15684	15701	15722	16604	16624	16643	16663	17596	17619	17642	18933	18965	18991	19021	19052
		S/T	0.25	0.29	0.34	0.38	0.27	0.30	0.36	0.41	0.28	0.32	0.38	0.43	0.49	0.56	0.64	0.73
		PI	1.64	1.64	1.64	1.65	1.74	1.74	1.74	1.74	1.84	1.84	1.85	1.94	1.94	1.95	1.95	1.95
122	TC	13726	13744	13760	13778	14551	14568	14585	14602	15420	15440	15460	17397	17445	17485	17530	17575	
	S/T	0.26	0.30	0.35	0.40	0.28	0.31	0.37	0.42	0.29	0.33	0.39	0.44	0.51	0.58	0.66	0.75	
	PI	1.54	1.55	1.55	1.55	1.64	1.64	1.64	1.64	1.73	1.74	1.74	1.84	1.84	1.84	1.84	1.85	

PERFORMANCE DUCTED PLUS NON-DUCTED 48K HYPER (Sheet 2 of 4)

AIRFLOW (CFM)	OUTDOOR DB(°F)	ID WB (°F) ID WB (°F)	60.8				64.4				66.2				71.6			
			73.4	77.0	80.6	84.2	73.4	77.0	80.6	84.2	73.4	77.0	80.6	84.20	73.4	77.0	80.6	84.2
Med	-22	TC	30691	30733	30767	30809	32539	32576	32613	32650	34402	34445	34488	36347	36393	36431	36475	36518
		S/T	0.32	0.36	0.42	0.48	0.34	0.38	0.45	0.51	0.36	0.41	0.47	0.54	0.62	0.70	0.80	0.91
		PI	1.29	1.29	1.29	1.29	1.37	1.37	1.37	1.37	1.45	1.45	1.45	1.53	1.54	1.54	1.54	1.54
	-10	TC	31091	31133	31168	31210	32964	33001	33038	33075	34827	34870	34913	36773	36818	36856	36900	36943
		S/T	0.32	0.36	0.43	0.49	0.34	0.39	0.45	0.51	0.36	0.41	0.48	0.54	0.62	0.71	0.81	0.92
		PI	1.44	1.44	1.44	1.44	1.52	1.53	1.53	1.53	1.62	1.62	1.62	1.71	1.71	1.72	1.72	1.72
	0	TC	31425	31467	31503	31545	33319	33356	33393	33430	35181	35224	35267	37127	37172	37210	37254	37298
		S/T	0.32	0.37	0.43	0.49	0.34	0.39	0.45	0.52	0.36	0.41	0.48	0.55	0.62	0.71	0.81	0.93
		PI	1.56	1.56	1.57	1.57	1.66	1.66	1.66	1.66	1.76	1.76	1.76	1.86	1.86	1.86	1.87	1.87
	5	TC	31592	31634	31670	31712	33496	33533	33570	33607	35358	35401	35444	37304	37350	37388	37431	37475
		S/T	0.32	0.37	0.43	0.49	0.34	0.39	0.45	0.52	0.36	0.41	0.48	0.55	0.63	0.71	0.81	0.93
		PI	1.62	1.63	1.63	1.63	1.72	1.72	1.73	1.73	1.82	1.83	1.83	1.93	1.93	1.94	1.94	1.94
	14	TC	31892	31935	31970	32014	33815	33852	33889	33926	35677	35720	35763	37623	37668	37706	37750	37794
		S/T	0.32	0.37	0.43	0.49	0.34	0.39	0.46	0.52	0.36	0.41	0.48	0.55	0.63	0.72	0.82	0.93
		PI	1.74	1.74	1.74	1.74	1.84	1.84	1.84	1.84	1.95	1.95	1.95	2.07	2.07	2.07	2.07	2.08
	23	TC	32341	32385	32421	32465	34292	34329	34366	34403	36155	36198	36241	38101	38146	38184	38228	38271
		S/T	0.33	0.37	0.43	0.49	0.34	0.39	0.46	0.52	0.37	0.42	0.49	0.56	0.63	0.72	0.82	0.94
		PI	1.77	1.78	1.78	1.78	1.88	1.88	1.88	1.89	1.99	1.99	2.00	2.11	2.11	2.11	2.12	2.12
	32	TC	32865	32910	32946	32991	34849	34886	34923	34960	36712	36755	36798	38657	38703	38741	38785	38828
		S/T	0.33	0.37	0.44	0.50	0.35	0.39	0.46	0.53	0.37	0.42	0.49	0.56	0.64	0.73	0.83	0.94
		PI	1.77	1.78	1.78	1.78	1.88	1.88	1.88	1.89	1.99	1.99	2.00	2.11	2.11	2.11	2.12	2.12
	41	TC	33760	33806	33844	33889	35800	35837	35874	35911	37663	37706	37749	39609	39654	39692	39736	39779
		S/T	0.33	0.37	0.44	0.50	0.35	0.40	0.46	0.53	0.37	0.42	0.49	0.56	0.64	0.73	0.83	0.95
		PI	1.90	1.90	1.91	1.91	2.01	2.02	2.02	2.02	2.14	2.14	2.14	2.26	2.26	2.27	2.27	2.27
	50	TC	34181	34227	34266	34312	36248	36285	36322	36359	38110	38153	38196	40056	40101	40139	40183	40227
		S/T	0.33	0.38	0.44	0.50	0.35	0.40	0.47	0.53	0.37	0.42	0.49	0.56	0.64	0.73	0.83	0.95
		PI	2.06	2.06	2.06	2.07	2.18	2.18	2.19	2.19	2.31	2.31	2.32	2.45	2.45	2.45	2.46	2.46
	59	TC	33283	33328	33365	33410	35293	35330	35367	35404	37156	37199	37242	39101	39147	39185	39229	39272
		S/T	0.33	0.38	0.44	0.50	0.35	0.40	0.47	0.53	0.37	0.42	0.50	0.57	0.65	0.74	0.84	0.96
		PI	2.15	2.15	2.16	2.16	2.28	2.28	2.29	2.29	2.42	2.42	2.42	2.56	2.56	2.56	2.57	2.57
	68	TC	32385	32428	32465	32508	34339	34376	34413	34450	36201	36244	36287	38147	38192	38230	38274	38318
		S/T	0.33	0.38	0.44	0.51	0.35	0.40	0.47	0.54	0.37	0.43	0.50	0.57	0.65	0.74	0.84	0.96
		PI	2.24	2.25	2.25	2.25	2.38	2.38	2.38	2.39	2.52	2.52	2.53	2.67	2.67	2.67	2.68	2.68
	77	TC	31486	31529	31564	31607	33384	33421	33458	33495	35247	35289	35333	37192	37238	37276	37319	37363
		S/T	0.34	0.39	0.46	0.52	0.36	0.41	0.48	0.55	0.38	0.44	0.51	0.58	0.67	0.76	0.87	0.99
		PI	2.33	2.34	2.34	2.34	2.48	2.48	2.48	2.48	2.62	2.63	2.63	2.78	2.78	2.78	2.79	2.79
	86	TC	30353	30394	30428	30469	32180	32216	32253	32291	34042	34085	34128	35988	36033	36071	36115	36159
		S/T	0.35	0.40	0.46	0.53	0.37	0.42	0.49	0.56	0.39	0.44	0.52	0.59	0.67	0.77	0.88	0.99
		PI	2.68	2.68	2.68	2.69	2.84	2.84	2.84	2.85	3.01	3.01	3.01	3.18	3.19	3.19	3.20	3.20
	95	TC	29400	29440	29473	29513	31167	31204	31241	31278	33030	33073	33116	34975	35021	35059	35103	35146
		S/T	0.36	0.41	0.47	0.54	0.38	0.43	0.50	0.57	0.40	0.46	0.53	0.61	0.69	0.79	0.90	1.00
		PI	2.83	2.83	2.83	2.84	3.00	3.00	3.00	3.01	3.17	3.18	3.18	3.36	3.37	3.37	3.37	3.38
	104	TC	25484	25519	25547	25582	27006	27043	27080	27117	28869	28912	28955	30814	30860	30898	30942	30985
		S/T	0.37	0.43	0.50	0.57	0.40	0.45	0.53	0.60	0.42	0.48	0.56	0.64	0.73	0.83	0.94	1.00
		PI	2.62	2.63	2.63	2.63	2.78	2.78	2.79	2.79	2.95	2.95	2.96	3.13	3.14	3.14	3.15	3.15
	115	TC	22066	22096	22121	22151	23374	23411	23448	23485	25237	25280	25323	27182	27228	27266	27309	27353
		S/T	0.38	0.43	0.50	0.57	0.40	0.46	0.53	0.61	0.42	0.48	0.57	0.65	0.74	0.84	0.96	1.00
		PI	2.46	2.46	2.46	2.46	2.60	2.61	2.61	2.61	2.76	2.76	2.77	2.91	2.91	2.91	2.92	2.92
122	TC	18195	18220	18240	18265	19224	19279	19335	19390	22022	22087	22152	24946	25015	25072	25137	25203	
	S/T	0.39	0.45	0.52	0.59	0.41	0.47	0.55	0.63	0.44	0.50	0.59	0.67	0.76	0.87	0.99	1.00	
	PI	2.32	2.32	2.32	2.32	2.46	2.46	2.46	2.46	2.60	2.60	2.61	2.76	2.76	2.76	2.77	2.77	

PERFORMANCE DUCTED PLUS NON-DUCTED 48K HYPER (Sheet 3 of 4)

AIRFLOW (CFM)	OUTDOOR DB(°F)	ID WB (°F) ID WB (°F)	60.8				64.4				66.2				71.6			
			73.4	77.0	80.6	84.2	73.4	77.0	80.6	84.2	73.4	77.0	80.6	84.20	73.4	77.0	80.6	84.2
High	-22	TC	46099	46161	46213	46275	48874	48930	48986	49041	51673	51738	51802	54597	54665	54722	54788	54854
		S/T	0.48	0.54	0.63	0.72	0.50	0.58	0.67	0.77	0.53	0.61	0.71	0.81	0.93	1.00	1.00	1.00
		PI	1.95	1.95	1.95	1.95	2.06	2.07	2.07	2.07	2.19	2.19	2.19	2.32	2.32	2.32	2.32	2.32
	-10	TC	46691	46754	46807	46870	49504	49559	49615	49671	52303	52367	52432	55226	55295	55352	55418	55483
		S/T	0.48	0.55	0.64	0.73	0.51	0.58	0.68	0.77	0.54	0.61	0.72	0.82	0.93	1.00	1.00	1.00
		PI	2.17	2.17	2.17	2.18	2.30	2.30	2.30	2.31	2.44	2.44	2.44	2.58	2.58	2.58	2.59	2.59
	0	TC	47185	47249	47302	47365	50029	50084	50140	50195	52827	52892	52956	55751	55819	55877	55942	56008
		S/T	0.48	0.55	0.64	0.73	0.51	0.58	0.68	0.78	0.54	0.62	0.72	0.82	0.94	1.00	1.00	1.00
		PI	2.35	2.36	2.36	2.36	2.49	2.50	2.50	2.50	2.64	2.65	2.65	2.80	2.80	2.80	2.81	2.81
	5	TC	47432	47496	47549	47613	50291	50346	50402	50458	53090	53154	53219	56013	56082	56139	56204	56270
		S/T	0.48	0.55	0.64	0.73	0.51	0.58	0.68	0.78	0.54	0.62	0.72	0.83	0.94	1.00	1.00	1.00
		PI	2.44	2.45	2.45	2.45	2.59	2.59	2.60	2.60	2.75	2.75	2.75	2.91	2.91	2.91	2.92	2.92
	14	TC	47876	47941	47994	48059	50763	50818	50874	50930	53562	53626	53691	56485	56554	56611	56677	56742
		S/T	0.49	0.55	0.65	0.74	0.51	0.59	0.69	0.78	0.55	0.62	0.73	0.83	0.95	1.00	1.00	1.00
		PI	2.61	2.61	2.62	2.62	2.77	2.77	2.77	2.78	2.93	2.94	2.94	3.11	3.11	3.11	3.12	3.12
	23	TC	48570	48635	48690	48755	51500	51555	51611	51667	54299	54363	54428	57222	57291	57348	57413	57479
		S/T	0.49	0.56	0.65	0.74	0.52	0.59	0.69	0.79	0.55	0.63	0.73	0.83	0.95	1.00	1.00	1.00
		PI	2.66	2.67	2.67	2.67	2.82	2.83	2.83	2.83	2.99	2.99	3.00	3.17	3.17	3.18	3.18	3.18
	32	TC	49388	49454	49510	49576	52369	52425	52480	52536	55168	55232	55297	58091	58160	58217	58283	58348
		S/T	0.49	0.56	0.65	0.75	0.52	0.59	0.69	0.79	0.55	0.63	0.74	0.84	0.96	1.00	1.00	1.00
		PI	2.66	2.67	2.67	2.67	2.82	2.83	2.83	2.83	2.99	2.99	3.00	3.17	3.17	3.17	3.18	3.18
	41	TC	50762	50831	50888	50956	53830	53885	53941	53997	56629	56693	56758	59552	59621	59678	59744	59809
		S/T	0.49	0.56	0.66	0.75	0.52	0.60	0.70	0.79	0.55	0.63	0.74	0.84	0.96	1.00	1.00	1.00
		PI	2.85	2.86	2.86	2.86	3.02	3.03	3.03	3.04	3.21	3.21	3.21	3.39	3.40	3.40	3.41	3.41
	50	TC	51409	51479	51536	51606	54518	54573	54629	54684	57316	57381	57445	60240	60308	60366	60431	60497
		S/T	0.50	0.57	0.66	0.75	0.53	0.60	0.70	0.80	0.56	0.63	0.74	0.85	0.96	1.00	1.00	1.00
		PI	3.09	3.10	3.10	3.10	3.28	3.28	3.29	3.29	3.47	3.48	3.48	3.68	3.68	3.69	3.69	3.70
	59	TC	50044	50111	50168	50235	53067	53122	53178	53233	55865	55930	55994	58789	58857	58915	58980	59046
		S/T	0.50	0.57	0.66	0.76	0.53	0.60	0.70	0.80	0.56	0.64	0.75	0.85	0.97	1.00	1.00	1.00
		PI	3.23	3.23	3.24	3.24	3.42	3.43	3.43	3.44	3.63	3.63	3.64	3.84	3.85	3.85	3.86	3.86
	68	TC	48679	48744	48799	48865	51616	51671	51727	51783	54414	54479	54544	57338	57407	57464	57529	57595
		S/T	0.50	0.57	0.67	0.76	0.53	0.60	0.71	0.81	0.56	0.64	0.75	0.86	0.97	1.00	1.00	1.00
		PI	3.37	3.37	3.38	3.38	3.57	3.58	3.58	3.58	3.79	3.79	3.80	4.01	4.01	4.02	4.02	4.03
	77	TC	47313	47377	47430	47494	50165	50220	50276	50332	52964	53028	53093	55887	55956	56013	56078	56144
		S/T	0.51	0.59	0.69	0.78	0.54	0.62	0.73	0.83	0.58	0.66	0.77	0.88	1.00	1.00	1.00	1.00
		PI	3.51	3.51	3.52	3.52	3.72	3.72	3.73	3.73	3.94	3.95	3.95	4.17	4.18	4.18	4.19	4.19
	86	TC	45620	45682	45733	45795	48366	48421	48477	48533	51164	51229	51294	54088	54157	54214	54279	54345
		S/T	0.52	0.59	0.69	0.79	0.55	0.63	0.74	0.84	0.59	0.67	0.78	0.89	1.00	1.00	1.00	1.00
		PI	4.02	4.03	4.03	4.04	4.26	4.27	4.27	4.28	4.52	4.52	4.53	4.78	4.79	4.79	4.80	4.81
	95	TC	44179	44239	44288	44348	46835	46890	46946	47001	49633	49698	49762	52557	52625	52683	52748	52814
		S/T	0.53	0.61	0.71	0.81	0.57	0.65	0.75	0.86	0.60	0.68	0.80	0.91	0.64	0.74	0.85	0.97
		PI	4.25	4.25	4.26	4.26	4.50	4.51	4.51	4.52	4.77	4.78	4.78	5.05	5.06	5.06	5.07	5.07
	104	TC	38287	38338	38381	38433	40573	40629	40684	40740	43372	43436	43501	46296	46364	46421	46487	46552
		S/T	0.56	0.64	0.75	0.85	0.59	0.68	0.79	0.90	0.63	0.72	0.84	0.96	1.00	1.00	1.00	1.00
		PI	3.95	3.95	3.96	3.96	4.18	4.19	4.19	4.20	4.43	4.44	4.44	4.71	4.72	4.73	4.73	4.74
	115	TC	33145	33189	33226	33271	35109	35164	35220	35276	37908	37972	38037	40831	40900	40957	41022	41088
		S/T	0.57	0.65	0.76	0.86	0.60	0.69	0.80	0.91	0.64	0.73	0.85	0.97	1.00	1.00	1.00	1.00
		PI	3.70	3.70	3.71	3.71	3.92	3.92	3.93	3.93	4.15	4.16	4.16	4.38	4.38	4.39	4.39	4.40
122	TC	28656	28694	28727	28765	30339	30395	30450	30506	33138	33202	33267	36062	36130	36187	36253	36318	
	S/T	0.59	0.67	0.78	0.89	0.62	0.71	0.83	0.95	0.66	0.75	0.88	1.00	1.00	1.00	1.00	1.00	
	PI	3.49	3.50	3.50	3.50	3.70	3.71	3.71	3.71	3.92	3.93	3.93	4.15	4.16	4.16	4.17	4.17	

PERFORMANCE DUCTED PLUS NON-DUCTED 48K HYPER (Sheet 4 of 4)

AIRFLOW (CFM)	OUTDOOR DB(°F)	ID WB (°F) ID WB (°F)	60.8				64.4				66.2				71.6			
			73.4	77.0	80.6	84.2	73.4	77.0	80.6	84.2	73.4	77.0	80.6	84.20	73.4	77.0	80.6	84.2
Turbo	-22	TC	48034	48099	48153	48218	50921	50982	51042	51103	53964	54034	54105	57143	57217	57280	57351	57422
		S/T	0.50	0.57	0.66	0.76	0.53	0.60	0.70	0.80	0.56	0.64	0.74	0.85	0.97	1.00	1.00	1.00
		PI	2.00	2.01	2.01	2.01	2.12	2.13	2.13	2.13	2.25	2.25	2.26	2.38	2.39	2.39	2.39	2.40
	-10	TC	48643	48708	48763	48829	51566	51627	51689	51750	54648	54719	54790	57867	57942	58005	58077	58150
		S/T	0.50	0.57	0.67	0.76	0.53	0.60	0.71	0.81	0.56	0.64	0.75	0.85	0.97	1.00	1.00	1.00
		PI	2.24	2.25	2.25	2.25	2.38	2.38	2.38	2.39	2.52	2.52	2.53	2.67	2.67	2.67	2.68	2.68
	0	TC	49150	49216	49271	49337	52104	52165	52227	52289	55217	55289	55361	58470	58546	58610	58683	58756
		S/T	0.50	0.57	0.67	0.77	0.53	0.61	0.71	0.81	0.57	0.64	0.75	0.86	0.97	1.00	1.00	1.00
		PI	2.44	2.44	2.45	2.45	2.59	2.59	2.59	2.60	2.74	2.75	2.75	2.90	2.91	2.91	2.91	2.92
	5	TC	49403	49470	49525	49592	52373	52435	52497	52559	55502	55574	55646	58772	58848	58912	58985	59059
		S/T	0.50	0.58	0.67	0.77	0.54	0.61	0.71	0.81	0.57	0.65	0.76	0.86	0.97	1.00	1.00	1.00
		PI	2.54	2.54	2.55	2.55	2.69	2.70	2.70	2.70	2.85	2.86	2.86	3.02	3.02	3.03	3.03	3.04
	14	TC	49860	49927	49983	50050	52856	52919	52982	53044	56015	56087	56160	59314	59392	59456	59530	59604
		S/T	0.51	0.58	0.68	0.77	0.54	0.61	0.72	0.82	0.57	0.65	0.76	0.87	0.98	1.00	1.00	1.00
		PI	2.72	2.72	2.72	2.73	2.88	2.88	2.89	2.89	3.05	3.06	3.06	3.23	3.24	3.24	3.24	3.25
	23	TC	50490	50558	50615	50683	53525	53588	53652	53715	56723	56797	56871	60065	60143	60208	60283	60358
		S/T	0.51	0.58	0.68	0.78	0.54	0.62	0.72	0.82	0.57	0.65	0.76	0.87	0.98	1.00	1.00	1.00
		PI	2.78	2.78	2.79	2.79	2.95	2.95	2.95	2.96	3.12	3.13	3.13	3.31	3.31	3.32	3.32	3.32
	32	TC	51208	51277	51334	51404	54286	54350	54414	54479	57530	57604	57679	60918	60998	61064	61140	61216
		S/T	0.51	0.58	0.68	0.78	0.54	0.62	0.72	0.83	0.58	0.66	0.77	0.88	0.98	1.00	1.00	1.00
		PI	2.78	2.79	2.79	2.80	2.95	2.96	2.96	2.96	3.13	3.13	3.14	3.31	3.32	3.32	3.32	3.33
	41	TC	52475	52546	52605	52676	55629	55695	55761	55827	58954	59030	59107	62426	62508	62576	62653	62731
		S/T	0.52	0.59	0.69	0.78	0.55	0.62	0.73	0.83	0.58	0.66	0.77	0.88	0.98	1.00	1.00	1.00
		PI	2.98	2.99	2.99	3.00	3.16	3.17	3.17	3.18	3.35	3.36	3.36	3.55	3.55	3.56	3.56	3.57
	50	TC	53071	53142	53202	53273	56260	56327	56394	56461	59622	59700	59777	63135	63217	63285	63364	63443
		S/T	0.52	0.59	0.69	0.79	0.55	0.63	0.73	0.83	0.58	0.66	0.78	0.88	0.99	1.00	1.00	1.00
		PI	3.23	3.23	3.24	3.24	3.42	3.43	3.43	3.44	3.63	3.63	3.64	3.84	3.85	3.85	3.86	3.86
	59	TC	51772	51841	51899	51969	54883	54948	55013	55079	58163	58238	58314	61589	61669	61736	61813	61890
		S/T	0.52	0.59	0.69	0.79	0.55	0.63	0.74	0.84	0.58	0.67	0.78	0.89	0.99	1.00	1.00	1.00
		PI	3.37	3.38	3.38	3.39	3.58	3.58	3.59	3.59	3.79	3.80	3.80	4.01	4.02	4.02	4.03	4.03
	68	TC	50472	50540	50597	50665	53506	53569	53633	53696	56703	56777	56851	60043	60122	60187	60262	60337
		S/T	0.52	0.60	0.70	0.79	0.55	0.63	0.74	0.84	0.59	0.67	0.78	0.89	0.99	1.00	1.00	1.00
		PI	3.52	3.52	3.53	3.53	3.73	3.73	3.74	3.74	3.95	3.96	3.96	4.18	4.19	4.19	4.20	4.20
	77	TC	49173	49239	49295	49361	52129	52190	52252	52314	55244	55315	55387	58498	58574	58638	58711	58784
		S/T	0.54	0.61	0.72	0.82	0.57	0.65	0.76	0.86	0.60	0.69	0.80	0.92	1.00	1.00	1.00	1.00
		PI	3.66	3.67	3.67	3.67	3.88	3.89	3.89	3.89	4.11	4.12	4.12	4.35	4.36	4.36	4.37	4.38
	86	TC	47477	47541	47594	47659	50331	50390	50450	50510	53338	53408	53477	56480	56554	56615	56686	56756
		S/T	0.54	0.62	0.72	0.83	0.58	0.66	0.77	0.88	0.61	0.70	0.81	0.93	1.00	1.00	1.00	1.00
		PI	4.20	4.20	4.21	4.21	4.45	4.45	4.46	4.47	4.72	4.72	4.73	4.99	5.00	5.01	5.01	5.02
	95	TC	46087	46148	46200	46263	48856	48914	48972	49030	51776	51843	51911	54826	54897	54957	55025	55094
		S/T	0.56	0.64	0.74	0.85	0.59	0.67	0.79	0.90	0.63	0.71	0.84	0.95	1.00	1.00	1.00	1.00
		PI	4.43	4.44	4.44	4.45	4.70	4.70	4.71	4.71	4.98	4.98	4.99	5.27	5.28	5.28	5.29	5.30
	104	TC	40311	40365	40410	40465	42734	42784	42835	42886	45287	45346	45405	47955	48017	48070	48129	48189
		S/T	0.59	0.67	0.78	0.89	0.62	0.71	0.83	0.94	0.66	0.74	0.88	0.98	1.00	1.00	1.00	1.00
		PI	4.11	4.11	4.12	4.12	4.35	4.36	4.36	4.37	4.61	4.62	4.62	4.88	4.89	4.90	4.90	4.91
	115	TC	35268	35315	35355	35402	37387	37432	37476	37521	39622	39673	39725	41956	42010	42056	42108	42161
		S/T	0.59	0.68	0.79	0.90	0.63	0.72	0.84	0.95	0.67	0.74	0.89	0.99	1.00	1.00	1.00	1.00
		PI	3.83	3.84	3.84	3.85	4.06	4.07	4.07	4.08	4.31	4.31	4.32	4.56	4.57	4.57	4.58	4.58
122	TC	30863	30904	30939	30981	32718	32757	32795	32834	34673	34718	34763	36715	36763	36803	36849	36895	
	PI	3.61	3.61	3.62	3.62	3.83	3.83	3.83	3.83	4.05	4.06	4.06	4.29	4.30	4.30	4.31	4.31	

NOTE: Data highlighted in gray is extrapolated data and not actual test data. At 77°F outdoor conditions sweat protection activates causing a decrease in total capacity.

LEGEND

- TC - Total Net Capacity (Btu/hour)
- S/T: Sensible Cooling Capacity Ratio
- PI: Power Input (kW)
- Extrapolated Data

HEATING PERFORMANCE DUCTED PLUS NON-DUCTED

HEATING PERFORMANCE 18K

AIRFLOW (CFM)	OUTDOOR DB (°F)	TC:TOTAL CAPACITY IN BTU/HR				PI:TOTAL POWER IN KILOWATTS			
		INDOOR CONDITIONS (DB °F)				INDOOR CONDITIONS (DB °F)			
		60.8	68.0	71.6	75.2	60.8	68.0	71.6	75.2
Low	-22.0	2557	2609	2662	2689	1.58	1.59	1.60	1.61
	-10.0	3878	3958	4038	4079	1.65	1.66	1.66	1.67
	0.0	4980	5081	5185	5237	1.70	1.71	1.72	1.73
	5.0	5530	5643	5758	5817	1.73	1.74	1.75	1.76
	14.0	6521	6655	6790	6859	1.78	1.79	1.80	1.80
	17.0	6852	6992	7134	7206	1.79	1.80	1.81	1.82
	22.0	7373	7524	7678	7755	1.78	1.79	1.80	1.81
	27.0	7895	8056	8221	8304	1.78	1.78	1.79	1.80
	32.0	8417	8588	8764	8852	1.77	1.78	1.78	1.79
	37.0	8938	9121	9307	9401	1.76	1.77	1.78	1.78
	42.0	9737	9936	10138	10241	1.85	1.86	1.87	1.88
	44.6	10056	10262	10471	10577	1.89	1.90	1.91	1.92
	52.0	11334	11566	11802	11921	2.04	2.05	2.06	2.07
	57.0	12133	12381	12633	12761	2.14	2.15	2.16	2.17
62.0	12932	13196	13465	13601	2.23	2.24	2.26	2.27	
64.4	13251	13522	13798	13937	2.27	2.28	2.29	2.30	
Med	-22.0	3743	3819	3897	3937	1.60	1.61	1.62	1.62
	-10.0	5697	5814	5932	5992	1.66	1.67	1.68	1.69
	0.0	7326	7476	7628	7705	1.72	1.73	1.74	1.75
	5.0	8140	8307	8476	8562	1.75	1.76	1.76	1.77
	14.0	9606	9802	10002	10103	1.80	1.80	1.81	1.82
	17.0	10095	10301	10511	10617	1.81	1.82	1.83	1.84
	22.0	10864	11085	11312	11426	1.80	1.81	1.82	1.83
	27.0	11633	11870	12112	12235	1.79	1.80	1.81	1.82
	32.0	12402	12655	12913	13044	1.78	1.79	1.80	1.81
	37.0	13171	13440	13714	13853	1.78	1.78	1.79	1.80
	42.0	14348	14641	14940	15090	1.87	1.88	1.89	1.90
	44.6	14819	15121	15430	15586	1.91	1.92	1.93	1.94
	52.0	16702	17043	17391	17566	2.06	2.07	2.08	2.09
	57.0	17879	18244	18616	18804	2.16	2.17	2.18	2.19
62.0	19056	19445	19842	20042	2.26	2.27	2.28	2.29	
64.4	19527	19925	20332	20537	2.29	2.30	2.32	2.33	
High	-22.0	5480	5592	5706	5764	1.62	1.62	1.63	1.64
	-10.0	8371	8542	8716	8804	1.68	1.69	1.70	1.71
	0.0	10780	11000	11224	11337	1.74	1.75	1.75	1.76
	5.0	11984	12229	12478	12604	1.76	1.77	1.78	1.79
	14.0	14152	14441	14736	14884	1.81	1.82	1.83	1.84
	17.0	14875	15178	15488	15644	1.83	1.84	1.85	1.86
	22.0	16009	16335	16669	16837	1.82	1.83	1.84	1.85
	27.0	17143	17493	17850	18030	1.81	1.82	1.83	1.84
	32.0	18277	18650	19030	19223	1.80	1.81	1.82	1.83
	37.0	19411	19807	20211	20415	1.79	1.80	1.81	1.82
	42.0	21146	21577	22017	22240	1.89	1.90	1.91	1.92
	44.6	21839	22285	22740	22970	1.93	1.94	1.95	1.96
	52.0	24615	25117	25630	25889	2.08	2.09	2.11	2.12
	57.0	26350	26888	27436	27713	2.18	2.19	2.20	2.21
62.0	28085	28658	29243	29538	2.28	2.29	2.30	2.31	
64.4	28779	29366	29965	30268	2.32	2.33	2.34	2.35	
Turbo	-22.0	5717	5834	5953	6013	1.63	1.64	1.65	1.66
	-10.0	8643	8819	8999	9090	1.70	1.71	1.72	1.72
	0.0	11081	11307	11538	11654	1.75	1.76	1.77	1.78
	5.0	12300	12551	12807	12937	1.78	1.79	1.80	1.81
	14.0	14494	14790	15092	15244	1.83	1.84	1.85	1.86
	17.0	15226	15536	15854	16014	1.85	1.86	1.87	1.88
	22.0	16384	16718	17060	17232	1.84	1.85	1.86	1.87
	27.0	17542	17900	18266	18450	1.83	1.84	1.85	1.86
	32.0	18701	19082	19472	19668	1.82	1.83	1.84	1.85
	37.0	19859	20264	20678	20887	1.81	1.82	1.83	1.84
	42.0	21633	22075	22525	22753	1.91	1.92	1.93	1.94
	44.6	22343	22799	23264	23499	1.95	1.96	1.97	1.98
	52.0	25182	25696	26220	26485	2.10	2.12	2.13	2.14
	57.0	26956	27506	28068	28351	2.20	2.21	2.22	2.24
62.0	28731	29317	29915	30217	2.30	2.31	2.32	2.34	
64.4	29440	30041	30654	30964	2.34	2.35	2.36	2.38	

HEATING PERFORMANCE DUCTED PLUS NON-DUCTED

HEATING PERFORMANCE 24K

AIRFLOW (CFM)	OUTDOOR DB (°F)	TC:TOTAL CAPACITY IN BTU/HR				PI:TOTAL POWER IN KILOWATTS			
		INDOOR CONDITIONS (DB °F)				INDOOR CONDITIONS (DB °F)			
		60.8	68.0	71.6	75.2	60.8	68.00	71.6	75.2
Low	-22.0	5230	5337	5446	5501	2.53	2.54	2.55	2.56
	-10.0	7006	7149	7295	7369	2.58	2.59	2.61	2.62
	0.0	8486	8659	8836	8925	2.62	2.64	2.65	2.66
	5.0	9226	9414	9607	9704	2.65	2.66	2.67	2.69
	14.0	10558	10774	10993	11104	2.68	2.70	2.71	2.73
	17.0	11002	11227	11456	11571	2.70	2.71	2.73	2.74
	22.0	11598	11835	12077	12199	2.68	2.69	2.70	2.72
	27.0	12195	12444	12698	12826	2.65	2.67	2.68	2.69
	32.0	12791	13052	13319	13453	2.63	2.65	2.66	2.67
	37.0	13388	13661	13940	14081	2.61	2.62	2.64	2.65
	42.0	14264	14555	14852	15002	2.68	2.70	2.71	2.72
	44.6	14615	14913	15218	15371	2.71	2.73	2.74	2.75
	52.0	16018	16344	16678	16846	2.83	2.84	2.86	2.87
	57.0	16894	17239	17591	17768	2.90	2.92	2.93	2.95
62.0	17771	18133	18503	18690	2.97	2.99	3.00	3.02	
64.4	18121	18491	18869	19059	3.00	3.02	3.03	3.05	
Med	-22.0	7696	7853	8013	8094	2.55	2.56	2.58	2.59
	-10.0	10324	10535	10750	10859	2.61	2.62	2.63	2.64
	0.0	12515	12770	13031	13162	2.65	2.66	2.68	2.69
	5.0	13610	13888	14171	14314	2.67	2.69	2.70	2.71
	14.0	15581	15899	16224	16387	2.71	2.73	2.74	2.75
	17.0	16238	16570	16908	17078	2.73	2.74	2.75	2.77
	22.0	17114	17463	17820	18000	2.70	2.72	2.73	2.74
	27.0	17990	18357	18732	18921	2.68	2.69	2.71	2.72
	32.0	18866	19251	19644	19843	2.66	2.67	2.69	2.70
	37.0	19742	20145	20556	20764	2.64	2.65	2.66	2.68
	42.0	21034	21463	21901	22122	2.71	2.72	2.74	2.75
	44.6	21550	21990	22439	22666	2.74	2.75	2.77	2.78
	52.0	23617	24099	24591	24839	2.86	2.87	2.89	2.90
	57.0	24908	25417	25936	26198	2.93	2.95	2.96	2.98
62.0	26200	26735	27280	27556	3.00	3.02	3.03	3.05	
64.4	26717	27262	27818	28099	3.03	3.05	3.06	3.08	
High	-22.0	11326	11557	11793	11912	2.58	2.59	2.60	2.62
	-10.0	15216	15527	15844	16004	2.63	2.64	2.66	2.67
	0.0	18458	18835	19219	19413	2.68	2.69	2.70	2.72
	5.0	20079	20489	20907	21118	2.70	2.71	2.73	2.74
	14.0	22997	23466	23945	24187	2.74	2.75	2.77	2.78
	17.0	23970	24459	24958	25210	2.75	2.77	2.78	2.79
	22.0	25257	25772	26298	26564	2.73	2.74	2.76	2.77
	27.0	26544	27085	27638	27917	2.71	2.72	2.74	2.75
	32.0	27830	28398	28978	29271	2.69	2.70	2.71	2.73
	37.0	29117	29712	30318	30624	2.66	2.68	2.69	2.70
	42.0	31021	31654	32300	32626	2.74	2.75	2.77	2.78
	44.6	31782	32430	33092	33427	2.77	2.78	2.80	2.81
	52.0	34827	35538	36263	36629	2.89	2.90	2.92	2.93
	57.0	36730	37480	38245	38631	2.96	2.98	2.99	3.01
62.0	38633	39422	40226	40633	3.03	3.05	3.07	3.08	
64.4	39395	40199	41019	41433	3.06	3.08	3.10	3.11	
Turbo	-22.0	11653	11890	12133	12256	2.60	2.62	2.63	2.64
	-10.0	15584	15902	16227	16391	2.66	2.67	2.68	2.70
	0.0	18861	19246	19639	19837	2.70	2.72	2.73	2.74
	5.0	20499	20917	21344	21560	2.73	2.74	2.75	2.77
	14.0	23448	23926	24415	24661	2.77	2.78	2.79	2.81
	17.0	24431	24930	25438	25695	2.78	2.79	2.81	2.82
	22.0	25762	26288	26824	27095	2.76	2.77	2.79	2.80
	27.0	27093	27646	28211	28496	2.74	2.75	2.76	2.78
	32.0	28425	29005	29597	29896	2.71	2.73	2.74	2.75
	37.0	29756	30363	30983	31296	2.69	2.70	2.72	2.73
	42.0	31706	32353	33013	33347	2.77	2.78	2.79	2.81
	44.6	32486	33149	33826	34167	2.80	2.81	2.82	2.84
	52.0	35606	36333	37075	37449	2.92	2.93	2.94	2.96
	57.0	37557	38323	39105	39500	2.99	3.01	3.02	3.04
62.0	39507	40313	41136	41551	3.06	3.08	3.10	3.11	
64.4	40287	41109	41948	42372	3.09	3.11	3.13	3.14	

HEATING PERFORMANCE DUCTED PLUS NON-DUCTED

HEATING PERFORMANCE 30K

AIRFLOW (CFM)	OUTDOOR DB (°F)	TC:TOTAL CAPACITY IN BTU/HR				PI:TOTAL POWER IN KILOWATTS			
		INDOOR CONDITIONS (DB °F)				INDOOR CONDITIONS (DB °F)			
		60.8	68.0	71.6	75.2	60.8	68.00	71.6	75.2
Low	-22.0	8211	8379	8550	8636	4.61	4.63	4.65	4.68
	-10.0	9360	9551	9746	9844	4.32	4.34	4.36	4.38
	0.0	10318	10528	10743	10852	4.08	4.10	4.12	4.14
	5.0	10796	11017	11242	11355	3.96	3.98	4.00	4.02
	14.0	11658	11896	12139	12262	3.74	3.76	3.78	3.80
	17.0	11946	12189	12438	12564	3.67	3.69	3.70	3.72
	22.0	12858	13121	13389	13524	3.67	3.69	3.71	3.73
	27.0	13771	14052	14339	14484	3.67	3.69	3.71	3.73
	32.0	14684	14984	15289	15444	3.68	3.69	3.71	3.73
	37.0	15597	15915	16240	16404	3.68	3.70	3.72	3.73
	42.0	16601	16940	17286	17460	3.77	3.78	3.80	3.82
	44.6	17003	17350	17704	17883	3.80	3.82	3.84	3.86
	52.0	18610	18989	19377	19573	3.94	3.96	3.98	4.00
	57.0	19614	20014	20423	20629	4.03	4.05	4.07	4.09
62.0	20618	21039	21468	21685	4.11	4.14	4.16	4.18	
64.4	21020	21449	21887	22108	4.15	4.17	4.19	4.21	
Med	-22.0	12092	12339	12590	12717	4.65	4.68	4.70	4.72
	-10.0	13789	14070	14357	14502	4.36	4.38	4.41	4.43
	0.0	15203	15513	15829	15989	4.12	4.14	4.16	4.18
	5.0	15910	16234	16566	16733	4.00	4.02	4.04	4.06
	14.0	17182	17533	17891	18071	3.78	3.80	3.82	3.83
	17.0	17607	17966	18332	18518	3.70	3.72	3.74	3.76
	22.0	18949	19336	19730	19929	3.71	3.73	3.74	3.76
	27.0	20291	20705	21128	21341	3.71	3.73	3.75	3.77
	32.0	21634	22075	22526	22753	3.71	3.73	3.75	3.77
	37.0	22976	23445	23923	24165	3.72	3.73	3.75	3.77
	42.0	24461	24960	25469	25726	3.80	3.82	3.84	3.86
	44.6	25054	25566	26087	26351	3.84	3.86	3.88	3.90
	52.0	27430	27989	28561	28849	3.98	4.00	4.02	4.04
	57.0	28914	29504	30106	30411	4.07	4.09	4.11	4.13
62.0	30399	31019	31652	31972	4.16	4.18	4.20	4.22	
64.4	30993	31625	32271	32596	4.19	4.21	4.23	4.25	
High	-22.0	17809	18173	18544	18731	4.70	4.72	4.75	4.77
	-10.0	20315	20730	21153	21367	4.41	4.43	4.45	4.47
	0.0	22404	22861	23328	23563	4.16	4.18	4.20	4.22
	5.0	23448	23927	24415	24662	4.04	4.06	4.08	4.10
	14.0	25328	25845	26372	26638	3.82	3.83	3.85	3.87
	17.0	25954	26484	27024	27297	3.74	3.76	3.78	3.80
	22.0	27929	28499	29080	29374	3.74	3.76	3.78	3.80
	27.0	29903	30513	31136	31450	3.75	3.77	3.79	3.80
	32.0	31877	32528	33192	33527	3.75	3.77	3.79	3.81
	37.0	33852	34542	35247	35603	3.75	3.77	3.79	3.81
	42.0	36046	36782	37533	37912	3.84	3.86	3.88	3.90
	44.6	36924	37678	38447	38835	3.88	3.90	3.92	3.94
	52.0	40436	41261	42103	42529	4.02	4.04	4.06	4.08
	57.0	42631	43501	44389	44837	4.11	4.13	4.15	4.17
62.0	44826	45741	46674	47145	4.20	4.22	4.24	4.26	
64.4	45704	46636	47588	48069	4.23	4.25	4.28	4.30	
Turbo	-22.0	18254	18626	19007	19199	4.75	4.77	4.80	4.82
	-10.0	20802	21226	21659	21878	4.45	4.47	4.49	4.52
	0.0	22925	23392	23870	24111	4.20	4.22	4.24	4.27
	5.0	23986	24476	24975	25227	4.08	4.10	4.12	4.14
	14.0	25897	26425	26965	27237	3.85	3.87	3.89	3.91
	17.0	26534	27075	27628	27907	3.78	3.80	3.82	3.84
	22.0	28566	29149	29744	30044	3.78	3.80	3.82	3.84
	27.0	30598	31222	31859	32181	3.79	3.80	3.82	3.84
	32.0	32630	33296	33975	34318	3.79	3.81	3.83	3.85
	37.0	34662	35369	36091	36456	3.79	3.81	3.83	3.85
	42.0	36886	37639	38407	38795	3.88	3.90	3.92	3.94
	44.6	37776	38547	39334	39731	3.92	3.94	3.96	3.98
	52.0	41335	42179	43040	43474	4.06	4.08	4.10	4.12
	57.0	43560	44449	45356	45814	4.15	4.17	4.19	4.21
62.0	45784	46718	47672	48153	4.24	4.26	4.28	4.30	
64.4	46674	47626	48598	49089	4.28	4.30	4.32	4.34	

HEATING PERFORMANCE DUCTED PLUS NON-DUCTED

HEATING PERFORMANCE 36K

AIRFLOW (CFM)	OUTDOOR DB (°F)	TC:TOTAL CAPACITY IN BTU/HR				PI:TOTAL POWER IN KILOWATTS			
		INDOOR CONDITIONS (DB °F)				INDOOR CONDITIONS (DB °F)			
		60.8	68.0	71.6	75.2	60.8	68.00	71.6	75.2
Low	-22.0	6945	7087	7231	7304	4.44	4.46	4.49	4.51
	-10.0	8861	9042	9226	9320	4.21	4.23	4.26	4.28
	0.0	10458	10671	10889	10999	4.02	4.04	4.06	4.08
	5.0	11256	11486	11720	11839	3.93	3.95	3.97	3.99
	14.0	12693	12952	13217	13350	3.75	3.77	3.79	3.81
	17.0	13172	13441	13715	13854	3.70	3.71	3.73	3.75
	22.0	13903	14187	14477	14623	3.67	3.69	3.71	3.73
	27.0	14634	14933	15238	15392	3.65	3.67	3.68	3.70
	32.0	15366	15679	15999	16161	3.62	3.64	3.66	3.68
	37.0	16097	16425	16760	16930	3.60	3.62	3.64	3.65
	42.0	16929	17275	17627	17805	3.69	3.71	3.73	3.75
	44.6	17262	17614	17974	18155	3.73	3.75	3.77	3.79
	52.0	18594	18973	19361	19556	3.88	3.90	3.92	3.94
	57.0	19426	19823	20227	20432	3.97	3.99	4.01	4.03
62.0	20259	20672	21094	21307	4.07	4.09	4.11	4.13	
64.4	20592	21012	21441	21657	4.11	4.13	4.15	4.17	
Med	-22.0	10203	10411	10624	10731	4.49	4.51	4.53	4.56
	-10.0	13044	13310	13582	13719	4.26	4.28	4.30	4.32
	0.0	15412	15726	16047	16209	4.06	4.08	4.10	4.12
	5.0	16596	16934	17280	17454	3.97	3.99	4.01	4.03
	14.0	18726	19108	19498	19695	3.79	3.81	3.83	3.85
	17.0	19437	19833	20238	20442	3.73	3.75	3.77	3.79
	22.0	20508	20926	21353	21569	3.71	3.73	3.75	3.77
	27.0	21579	22020	22469	22696	3.68	3.70	3.72	3.74
	32.0	22650	23113	23584	23823	3.66	3.68	3.70	3.72
	37.0	23722	24206	24700	24949	3.64	3.65	3.67	3.69
	42.0	24950	25459	25979	26241	3.73	3.75	3.77	3.79
	44.6	25441	25960	26490	26758	3.77	3.79	3.81	3.82
	52.0	27406	27965	28536	28824	3.92	3.94	3.96	3.98
	57.0	28634	29219	29815	30116	4.01	4.03	4.05	4.07
62.0	29862	30472	31094	31408	4.11	4.13	4.15	4.17	
64.4	30354	30973	31605	31924	4.15	4.17	4.19	4.21	
High	-22.0	14992	15298	15610	15768	4.53	4.56	4.58	4.60
	-10.0	19205	19597	19997	20199	4.30	4.32	4.34	4.36
	0.0	22716	23179	23652	23891	4.10	4.12	4.14	4.17
	5.0	24471	24971	25480	25738	4.01	4.03	4.05	4.07
	14.0	27631	28195	28770	29061	3.83	3.85	3.87	3.89
	17.0	28684	29270	29867	30169	3.77	3.79	3.81	3.83
	22.0	30254	30872	31502	31820	3.75	3.77	3.78	3.80
	27.0	31824	32474	33136	33471	3.72	3.74	3.76	3.78
	32.0	33394	34076	34771	35122	3.70	3.72	3.73	3.75
	37.0	34964	35678	36406	36774	3.67	3.69	3.71	3.73
	42.0	36776	37527	38293	38680	3.77	3.79	3.81	3.82
	44.6	37501	38267	39048	39442	3.81	3.83	3.84	3.86
	52.0	40401	41225	42067	42492	3.96	3.98	4.00	4.02
	57.0	42213	43075	43954	44398	4.05	4.08	4.10	4.12
62.0	44026	44924	45841	46304	4.15	4.17	4.19	4.21	
64.4	44750	45664	46596	47066	4.19	4.21	4.23	4.25	
Turbo	-22.0	15475	15791	16113	16276	4.58	4.60	4.62	4.65
	-10.0	19706	20108	20519	20726	4.34	4.36	4.39	4.41
	0.0	23232	23706	24190	24435	4.14	4.17	4.19	4.21
	5.0	24995	25505	26026	26289	4.05	4.07	4.09	4.11
	14.0	28169	28744	29330	29626	3.87	3.89	3.91	3.93
	17.0	29226	29823	30432	30739	3.81	3.83	3.85	3.87
	22.0	30860	31489	32132	32457	3.78	3.80	3.82	3.84
	27.0	32493	33156	33833	34174	3.76	3.78	3.80	3.82
	32.0	34126	34822	35533	35892	3.73	3.75	3.77	3.79
	37.0	35759	36489	37234	37610	3.71	3.73	3.75	3.76
	42.0	37606	38374	39157	39552	3.81	3.82	3.84	3.86
	44.6	38345	39128	39926	40330	3.84	3.86	3.88	3.90
	52.0	41301	42143	43003	43438	4.00	4.02	4.04	4.06
	57.0	43148	44028	44927	45381	4.10	4.12	4.14	4.16
62.0	44995	45913	46850	47323	4.19	4.21	4.23	4.26	
64.4	45734	46667	47619	48100	4.23	4.25	4.27	4.29	

HEATING PERFORMANCE DUCTED PLUS NON-DUCTED

HEATING PERFORMANCE 36K HH

AIRFLOW (CFM)	OUTDOOR DB (°F)	TC: TOTAL CAPACITY IN BTU/HR				PI: TOTAL POWER IN KILOWATTS			
		INDOOR CONDITIONS (DB °F)				INDOOR CONDITIONS (DB °F)			
		60.8	68.0	71.6	75.2	60.8	68.00	71.6	75.2
Low	-22.0	12496	12751	13011	13142	3.75	3.77	3.79	3.81
	-10.0	13508	13783	14065	14207	4.11	4.13	4.15	4.17
	0.0	14351	14644	14943	15094	4.41	4.43	4.45	4.48
	5.0	14773	15074	15382	15537	4.56	4.58	4.60	4.63
	14.0	15532	15849	16172	16336	4.83	4.85	4.88	4.90
	17.0	15785	16107	16436	16602	4.92	4.94	4.97	4.99
	22.0	16572	16911	17256	17430	4.80	4.82	4.85	4.87
	27.0	17360	17715	18076	18259	4.68	4.70	4.73	4.75
	32.0	18148	18518	18896	19087	4.56	4.58	4.61	4.63
	37.0	18936	19322	19717	19916	4.44	4.47	4.49	4.51
	42.0	20411	20827	21252	21467	4.52	4.54	4.56	4.59
	44.6	21000	21429	21866	22087	4.55	4.57	4.59	4.62
	52.0	23360	23837	24323	24569	4.67	4.69	4.71	4.74
	57.0	24835	25342	25859	26120	4.74	4.77	4.79	4.81
62.0	26310	26847	27394	27671	4.82	4.84	4.86	4.89	
64.4	26899	27448	28009	28292	4.85	4.87	4.90	4.92	
Med	-22.0	18417	18793	19177	19371	3.79	3.81	3.83	3.85
	-10.0	19907	20314	20728	20937	4.15	4.17	4.19	4.21
	0.0	21149	21580	22021	22243	4.45	4.48	4.50	4.52
	5.0	21769	22214	22667	22896	4.60	4.63	4.65	4.67
	14.0	22887	23354	23831	24071	4.88	4.90	4.93	4.95
	17.0	23259	23734	24218	24463	4.97	4.99	5.02	5.04
	22.0	24418	24916	25425	25682	4.85	4.87	4.90	4.92
	27.0	25577	26098	26631	26900	4.73	4.75	4.77	4.80
	32.0	26735	27281	27838	28119	4.61	4.63	4.65	4.68
	37.0	27894	28463	29044	29337	4.49	4.51	4.53	4.56
	42.0	30069	30683	31309	31625	4.56	4.59	4.61	4.63
	44.6	30939	31571	32215	32540	4.59	4.62	4.64	4.66
	52.0	34420	35122	35839	36201	4.71	4.74	4.76	4.79
	57.0	36595	37342	38104	38489	4.79	4.81	4.84	4.86
62.0	38770	39561	40369	40777	4.86	4.89	4.91	4.94	
64.4	39640	40449	41275	41692	4.90	4.92	4.94	4.97	
High	-22.0	27150	27704	28269	28555	3.83	3.85	3.86	3.88
	-10.0	29343	29942	30553	30862	4.19	4.21	4.23	4.26
	0.0	31171	31807	32456	32784	4.50	4.52	4.54	4.57
	5.0	32085	32740	33408	33745	4.65	4.67	4.70	4.72
	14.0	33730	34419	35121	35476	4.93	4.95	4.98	5.00
	17.0	34279	34978	35692	36052	5.02	5.04	5.07	5.09
	22.0	35983	36717	37467	37845	4.90	4.92	4.95	4.97
	27.0	37687	38456	39241	39638	4.77	4.80	4.82	4.85
	32.0	39392	40195	41016	41430	4.65	4.68	4.70	4.72
	37.0	41096	41935	42790	43223	4.53	4.56	4.58	4.60
	42.0	44305	45209	46132	46598	4.61	4.63	4.66	4.68
	44.6	45589	46519	47468	47948	4.64	4.66	4.69	4.71
	52.0	50723	51758	52815	53348	4.76	4.79	4.81	4.83
	57.0	53932	55033	56156	56723	4.84	4.86	4.89	4.91
62.0	57141	58307	59497	60098	4.91	4.94	4.96	4.99	
64.4	58425	59617	60834	61448	4.94	4.97	4.99	5.02	
Turbo	-22.0	27756	28322	28900	29192	3.86	3.88	3.90	3.92
	-10.0	30006	30619	31244	31559	4.23	4.26	4.28	4.30
	0.0	31882	32533	33196	33532	4.54	4.57	4.59	4.61
	5.0	32820	33489	34173	34518	4.70	4.72	4.74	4.77
	14.0	34507	35212	35930	36293	4.97	5.00	5.02	5.05
	17.0	35070	35786	36516	36885	5.07	5.09	5.12	5.14
	22.0	36823	37575	38342	38729	4.94	4.97	4.99	5.02
	27.0	38577	39364	40168	40573	4.82	4.85	4.87	4.90
	32.0	40330	41153	41993	42417	4.70	4.72	4.75	4.77
	37.0	42084	42942	43819	44261	4.58	4.60	4.62	4.65
	42.0	45357	46283	47227	47704	4.66	4.68	4.70	4.73
	44.6	46666	47619	48591	49081	4.69	4.71	4.73	4.76
	52.0	51904	52963	54044	54590	4.81	4.83	4.86	4.88
	57.0	55177	56303	57452	58033	4.89	4.91	4.94	4.96
62.0	58450	59643	60861	61475	4.96	4.99	5.01	5.04	
64.4	59760	60979	62224	62852	4.99	5.02	5.04	5.07	

HEATING PERFORMANCE DUCTED PLUS NON-DUCTED

HEATING PERFORMANCE 48K

AIRFLOW (CFM)	OUTDOOR DB (°F)	TC:TOTAL CAPACITY IN BTU/HR				PI:TOTAL POWER IN KILOWATTS			
		INDOOR CONDITIONS (DB °F)				INDOOR CONDITIONS (DB °F)			
		60.8	68.0	71.6	75.2	60.8	68.00	71.6	75.2
Low	-22.0	9511	9705	9903	10003	4.60	4.62	4.65	4.67
	-10.0	11561	11797	12038	12159	4.68	4.70	4.73	4.75
	0.0	13270	13540	13817	13956	4.75	4.77	4.80	4.82
	5.0	14124	14412	14706	14855	4.78	4.80	4.83	4.85
	14.0	15661	15981	16307	16472	4.84	4.86	4.89	4.91
	17.0	16174	16504	16841	17011	4.86	4.89	4.91	4.93
	22.0	17144	17494	17851	18031	4.76	4.79	4.81	4.83
	27.0	18114	18483	18860	19051	4.66	4.69	4.71	4.74
	32.0	19083	19473	19870	20071	4.57	4.59	4.61	4.64
	37.0	20053	20462	20880	21091	4.47	4.49	4.51	4.54
	42.0	21814	22259	22714	22943	4.60	4.62	4.64	4.67
	44.6	22519	22978	23447	23684	4.65	4.67	4.69	4.72
	52.0	25336	25853	26381	26647	4.85	4.88	4.90	4.92
	57.0	27097	27650	28215	28500	4.98	5.00	5.03	5.05
62.0	28858	29447	30048	30352	5.11	5.13	5.16	5.18	
64.4	29563	30166	30782	31093	5.16	5.18	5.21	5.24	
Med	-22.0	14008	14294	14586	14733	4.65	4.67	4.69	4.72
	-10.0	17032	17380	17734	17914	4.73	4.75	4.78	4.80
	0.0	19552	19951	20358	20564	4.80	4.82	4.84	4.87
	5.0	20812	21237	21670	21889	4.83	4.85	4.88	4.90
	14.0	23080	23551	24032	24274	4.89	4.91	4.94	4.96
	17.0	23836	24322	24819	25069	4.91	4.93	4.96	4.98
	22.0	25263	25778	26304	26570	4.81	4.83	4.86	4.88
	27.0	26690	27234	27790	28071	4.71	4.74	4.76	4.78
	32.0	28117	28690	29276	29572	4.61	4.64	4.66	4.68
	37.0	29543	30146	30762	31072	4.51	4.54	4.56	4.58
	42.0	32142	32798	33467	33805	4.64	4.67	4.69	4.71
	44.6	33181	33858	34549	34898	4.69	4.72	4.74	4.77
	52.0	37338	38100	38877	39270	4.90	4.93	4.95	4.97
	57.0	39936	40751	41583	42003	5.03	5.05	5.08	5.11
62.0	42534	43402	44288	44735	5.16	5.18	5.21	5.24	
64.4	43573	44463	45370	45828	5.21	5.24	5.26	5.29	
High	-22.0	20636	21057	21487	21704	4.69	4.72	4.74	4.77
	-10.0	25097	25609	26131	26395	4.78	4.80	4.82	4.85
	0.0	28814	29402	30002	30305	4.84	4.87	4.89	4.92
	5.0	30672	31298	31937	32260	4.88	4.90	4.93	4.95
	14.0	34018	34712	35420	35778	4.94	4.96	4.99	5.01
	17.0	35133	35850	36582	36951	4.96	4.98	5.01	5.03
	22.0	37233	37993	38768	39160	4.86	4.88	4.91	4.93
	27.0	39333	40135	40954	41368	4.76	4.78	4.81	4.83
	32.0	41433	42278	43141	43577	4.66	4.68	4.71	4.73
	37.0	43532	44421	45327	45785	4.56	4.58	4.60	4.63
	42.0	47366	48333	49319	49817	4.69	4.71	4.74	4.76
	44.6	48900	49897	50916	51430	4.74	4.77	4.79	4.81
	52.0	55033	56156	57302	57881	4.95	4.97	5.00	5.02
	57.0	58867	60068	61294	61913	5.08	5.11	5.13	5.16
62.0	62700	63980	65286	65945	5.21	5.24	5.26	5.29	
64.4	64234	65545	66882	67558	5.26	5.29	5.32	5.34	
Turbo	-22.0	21125	21556	21996	22218	4.74	4.77	4.79	4.81
	-10.0	25673	26197	26732	27002	4.82	4.85	4.87	4.90
	0.0	29463	30064	30678	30988	4.89	4.92	4.94	4.97
	5.0	31358	31998	32651	32981	4.93	4.95	4.98	5.00
	14.0	34769	35479	36203	36569	4.99	5.01	5.04	5.06
	17.0	35906	36639	37387	37765	5.01	5.03	5.06	5.08
	22.0	38062	38839	39632	40032	4.91	4.93	4.96	4.98
	27.0	40218	41039	41877	42300	4.81	4.83	4.86	4.88
	32.0	42374	43239	44121	44567	4.71	4.73	4.75	4.78
	37.0	44530	45439	46366	46834	4.60	4.63	4.65	4.67
	42.0	48436	49424	50433	50942	4.74	4.76	4.78	4.81
	44.6	49998	51018	52060	52585	4.79	4.81	4.84	4.86
	52.0	56247	57395	58566	59158	5.00	5.02	5.05	5.08
	57.0	60153	61380	62633	63266	5.13	5.16	5.18	5.21
62.0	64059	65366	66700	67374	5.26	5.29	5.32	5.34	
64.4	65621	66960	68327	69017	5.32	5.34	5.37	5.40	

HEATING PERFORMANCE DUCTED PLUS NON-DUCTED

HEATING PERFORMANCE 48K HH

AIRFLOW (CFM)	OUTDOOR DB (°F)	TC:TOTAL CAPACITY IN BTU/HR				PI:TOTAL POWER IN KILOWATTS			
		INDOOR CONDITIONS (DB °F)				INDOOR CONDITIONS (DB°F)			
		60.8	68.0	71.6	75.2	60.8	68.00	71.6	75.2
Low	-22.0	18158	18528	18907	19098	7.30	7.33	7.37	7.41
	-10.0	19139	19530	19929	20130	6.93	6.96	6.99	7.03
	0.0	19957	20365	20780	20990	6.62	6.65	6.68	6.72
	5.0	20367	20782	21206	21420	6.46	6.49	6.53	6.56
	14.0	21103	21533	21973	22195	6.18	6.21	6.25	6.28
	17.0	21348	21784	22228	22453	6.09	6.12	6.15	6.18
	22.0	21920	22367	22823	23054	5.99	6.02	6.05	6.08
	27.0	22491	22950	23418	23655	5.88	5.91	5.94	5.97
	32.0	23063	23533	24013	24256	5.77	5.80	5.83	5.86
	37.0	23634	24116	24609	24857	5.67	5.70	5.73	5.75
	42.0	24658	25161	25675	25934	5.72	5.75	5.78	5.81
	44.6	25067	25579	26101	26365	5.74	5.77	5.80	5.83
	52.0	26705	27250	27807	28087	5.82	5.85	5.88	5.91
	57.0	27729	28295	28873	29164	5.87	5.90	5.93	5.96
62.0	28753	29340	29939	30241	5.92	5.95	5.98	6.01	
64.4	29162	29758	30365	30672	5.94	5.97	6.00	6.03	
Med	-22.0	26782	27328	27886	28168	7.37	7.41	7.44	7.48
	-10.0	28220	28796	29384	29681	6.99	7.03	7.07	7.10
	0.0	29419	30019	30632	30941	6.68	6.72	6.75	6.78
	5.0	30018	30631	31256	31572	6.53	6.56	6.59	6.63
	14.0	31097	31732	32379	32706	6.25	6.28	6.31	6.34
	17.0	31457	32099	32754	33085	6.15	6.18	6.21	6.25
	22.0	32292	32951	33624	33963	6.05	6.08	6.11	6.14
	27.0	33127	33803	34493	34842	5.94	5.97	6.00	6.03
	32.0	33963	34656	35363	35720	5.83	5.86	5.89	5.92
	37.0	34798	35508	36233	36599	5.73	5.75	5.78	5.81
	42.0	36308	37049	37805	38187	5.78	5.81	5.83	5.86
	44.6	36912	37666	38434	38823	5.80	5.83	5.86	5.88
	52.0	39329	40132	40951	41364	5.88	5.91	5.94	5.97
	57.0	40839	41673	42523	42953	5.93	5.96	5.99	6.02
62.0	42350	43214	44096	44541	5.98	6.01	6.04	6.07	
64.4	42954	43830	44725	45177	6.00	6.03	6.06	6.09	
High	-22.0	39508	40314	41137	41552	7.44	7.48	7.52	7.56
	-10.0	41616	42465	43332	43770	7.07	7.10	7.14	7.17
	0.0	43373	44258	45161	45617	6.75	6.78	6.82	6.85
	5.0	44251	45154	46076	46541	6.59	6.63	6.66	6.69
	14.0	45833	46768	47722	48204	6.31	6.34	6.37	6.40
	17.0	46360	47306	48271	48759	6.21	6.25	6.28	6.31
	22.0	47581	48552	49542	50043	6.11	6.14	6.17	6.20
	27.0	48802	49797	50814	51327	6.00	6.03	6.06	6.09
	32.0	50022	51043	52085	52611	5.89	5.92	5.95	5.98
	37.0	51243	52289	53356	53895	5.78	5.81	5.84	5.87
	42.0	53472	54563	55677	56239	5.83	5.86	5.89	5.92
	44.6	54363	55473	56605	57177	5.86	5.88	5.91	5.94
	52.0	57929	59111	60318	60927	5.94	5.97	6.00	6.03
	57.0	60157	61385	62638	63271	5.99	6.02	6.05	6.08
62.0	62386	63659	64958	65614	6.04	6.07	6.10	6.13	
64.4	63277	64569	65886	66552	6.06	6.09	6.12	6.15	
Turbo	-22.0	40280	41102	41941	42364	7.52	7.56	7.59	7.63
	-10.0	42470	43337	44221	44668	7.14	7.17	7.21	7.24
	0.0	44296	45199	46122	46588	6.82	6.85	6.89	6.92
	5.0	45208	46131	47072	47548	6.66	6.69	6.73	6.76
	14.0	46851	47807	48783	49276	6.37	6.40	6.44	6.47
	17.0	47399	48366	49353	49852	6.28	6.31	6.34	6.37
	22.0	48677	49670	50684	51196	6.17	6.20	6.23	6.26
	27.0	49955	50974	52015	52540	6.06	6.09	6.12	6.15
	32.0	51233	52279	53346	53885	5.95	5.98	6.01	6.04
	37.0	52511	53583	54677	55229	5.84	5.87	5.90	5.93
	42.0	54782	55900	57041	57617	5.89	5.92	5.95	5.98
	44.6	55690	56827	57987	58572	5.91	5.94	5.97	6.00
	52.0	59323	60534	61769	62393	6.00	6.03	6.06	6.09
	57.0	61594	62851	64134	64782	6.05	6.08	6.11	6.14
62.0	63865	65168	66498	67170	6.10	6.13	6.16	6.19	
64.4	64773	66095	67444	68125	6.12	6.15	6.18	6.21	

COOLING PERFORMANCE DUCTED

COOLING PERFORMANCE 18K

PERFORMANCE DUCTED 18K (Sheet 1 of 4)

AIRFLOW (CFM)	OUTDOOR DB °F	ID WB (°F)	60.8				64.4				66.2				71.6			
		ID DB °F	73.4	77.0	80.6	84.2	73.4	77.0	80.6	84.2	73.4	77.0	80.6	84.20	73.4	77.0	80.6	84.2
Low	-22	TC	8434	8446	8455	8466	8941	8952	8962	8973	9475	9488	9500	10010	10022	10033	10045	10057
		S/T	0.21	0.23	0.27	0.31	0.22	0.25	0.29	0.33	0.23	0.26	0.31	0.35	0.40	0.46	0.52	0.59
		PI	0.72	0.72	0.73	0.73	0.77	0.77	0.77	0.77	0.81	0.81	0.82	0.86	0.86	0.86	0.86	0.87
	-10	TC	8570	8582	8592	8603	9085	9096	9107	9118	9628	9641	9653	10163	10176	10186	10198	10210
		S/T	0.21	0.24	0.28	0.31	0.22	0.25	0.29	0.33	0.23	0.27	0.31	0.35	0.40	0.46	0.52	0.60
		PI	0.72	0.72	0.72	0.72	0.76	0.76	0.76	0.76	0.81	0.81	0.81	0.85	0.85	0.85	0.86	0.86
	0	TC	8684	8695	8705	8717	9206	9217	9228	9238	9756	9768	9781	10291	10303	10314	10326	10338
		S/T	0.21	0.24	0.28	0.32	0.22	0.25	0.29	0.34	0.23	0.27	0.31	0.36	0.41	0.46	0.53	0.60
		PI	0.71	0.71	0.71	0.71	0.75	0.75	0.76	0.76	0.80	0.80	0.80	0.85	0.85	0.85	0.85	0.85
	5	TC	8741	8752	8762	8774	9266	9277	9288	9299	9820	9832	9845	10355	10367	10378	10390	10402
		S/T	0.21	0.24	0.28	0.32	0.22	0.25	0.30	0.34	0.23	0.27	0.31	0.36	0.41	0.46	0.53	0.60
		PI	0.71	0.71	0.71	0.71	0.75	0.75	0.75	0.75	0.80	0.80	0.80	0.84	0.84	0.84	0.85	0.85
	14	TC	8843	8854	8864	8876	9374	9385	9396	9407	9934	9947	9960	10470	10482	10493	10505	10517
		S/T	0.21	0.24	0.28	0.32	0.22	0.25	0.30	0.34	0.24	0.27	0.31	0.36	0.41	0.47	0.53	0.61
		PI	0.70	0.70	0.70	0.71	0.75	0.75	0.75	0.75	0.79	0.79	0.79	0.84	0.84	0.84	0.84	0.84
	23	TC	8901	8913	8923	8935	9436	9447	9458	9469	10000	10013	10026	10535	10548	10558	10570	10582
		S/T	0.21	0.24	0.28	0.32	0.22	0.25	0.30	0.34	0.24	0.27	0.32	0.36	0.41	0.47	0.53	0.61
		PI	0.70	0.70	0.70	0.71	0.74	0.75	0.75	0.75	0.79	0.79	0.79	0.84	0.84	0.84	0.84	0.84
	32	TC	8937	8949	8959	8971	9474	9485	9497	9508	10040	10053	10066	10576	10588	10599	10611	10623
		S/T	0.21	0.24	0.28	0.32	0.22	0.26	0.30	0.34	0.24	0.27	0.32	0.36	0.41	0.47	0.54	0.61
		PI	0.70	0.71	0.71	0.71	0.75	0.75	0.75	0.75	0.79	0.79	0.79	0.84	0.84	0.84	0.84	0.84
	41	TC	8641	8652	8662	8674	9160	9171	9182	9193	9707	9720	9733	10242	10255	10265	10277	10289
		S/T	0.21	0.24	0.28	0.32	0.23	0.26	0.30	0.34	0.24	0.27	0.32	0.36	0.41	0.47	0.54	0.61
		PI	0.75	0.75	0.75	0.75	0.80	0.80	0.80	0.80	0.84	0.84	0.84	0.89	0.89	0.89	0.90	0.90
	50	TC	8344	8355	8364	8375	8845	8855	8866	8876	9374	9386	9398	9908	9920	9931	9942	9954
		S/T	0.21	0.24	0.29	0.33	0.23	0.26	0.30	0.35	0.24	0.27	0.32	0.37	0.42	0.48	0.54	0.62
		PI	0.78	0.79	0.79	0.79	0.83	0.83	0.83	0.83	0.88	0.88	0.88	0.93	0.93	0.94	0.94	0.94
	59	TC	8378	8389	8398	8410	8881	8892	8902	8913	9412	9424	9436	9946	9958	9969	9981	9993
		S/T	0.22	0.25	0.29	0.33	0.23	0.26	0.30	0.35	0.24	0.28	0.32	0.37	0.42	0.48	0.54	0.62
		PI	0.75	0.76	0.76	0.76	0.80	0.80	0.80	0.80	0.85	0.85	0.85	0.90	0.90	0.90	0.90	0.90
	68	TC	8412	8423	8432	8444	8917	8928	8938	8949	9450	9462	9475	9984	9997	10007	10019	10031
		S/T	0.22	0.25	0.29	0.33	0.23	0.26	0.31	0.35	0.24	0.28	0.32	0.37	0.42	0.48	0.55	0.62
		PI	0.72	0.72	0.73	0.73	0.77	0.77	0.77	0.77	0.81	0.81	0.81	0.86	0.86	0.86	0.86	0.86
	77	TC	8446	8457	8467	8478	8953	8964	8975	8985	9488	9501	9513	10023	10035	10046	10058	10070
		S/T	0.22	0.25	0.30	0.34	0.24	0.27	0.31	0.36	0.25	0.28	0.33	0.38	0.43	0.49	0.56	0.64
		PI	0.69	0.69	0.69	0.70	0.73	0.74	0.74	0.74	0.78	0.78	0.78	0.82	0.83	0.83	0.83	0.83
	86	TC	8109	8120	8129	8140	8596	8607	8617	8627	9110	9122	9134	9643	9656	9666	9678	9690
		S/T	0.22	0.26	0.30	0.34	0.24	0.27	0.32	0.36	0.25	0.29	0.34	0.38	0.44	0.50	0.57	0.65
		PI	0.80	0.80	0.80	0.80	0.85	0.85	0.85	0.85	0.90	0.90	0.90	0.95	0.95	0.95	0.95	0.95
	95	TC	8057	8068	8077	8088	8542	8552	8562	8572	9052	9064	9076	9585	9598	9608	9620	9632
		S/T	0.23	0.26	0.31	0.35	0.24	0.28	0.33	0.37	0.26	0.30	0.35	0.39	0.45	0.51	0.58	0.67
		PI	0.80	0.80	0.80	0.80	0.85	0.85	0.85	0.85	0.90	0.90	0.90	0.95	0.95	0.95	0.95	0.96
	104	TC	6287	6295	6302	6311	6664	6672	6680	6688	7063	7072	7081	7591	7603	7614	7626	7638
		S/T	0.24	0.28	0.32	0.37	0.26	0.29	0.34	0.39	0.27	0.31	0.36	0.41	0.47	0.54	0.61	0.70
		PI	0.64	0.64	0.64	0.64	0.68	0.68	0.68	0.68	0.72	0.72	0.72	0.77	0.77	0.78	0.78	0.78
	115	TC	4905	4911	4917	4924	5200	5206	5212	5218	5510	5518	5525	6034	6047	6057	6069	6081
		S/T	0.25	0.28	0.33	0.37	0.26	0.30	0.35	0.39	0.28	0.31	0.37	0.42	0.48	0.54	0.62	0.71
		PI	0.52	0.52	0.52	0.52	0.55	0.55	0.55	0.55	0.58	0.58	0.58	0.60	0.60	0.60	0.60	0.60
122	TC	3827	3832	3836	3842	4057	4062	4067	4071	4299	4305	4310	5086	5105	5121	5139	5157	
	S/T	0.25	0.29	0.34	0.39	0.27	0.31	0.36	0.41	0.29	0.33	0.38	0.43	0.49	0.56	0.64	0.73	
	PI	0.41	0.41	0.41	0.42	0.44	0.44	0.44	0.44	0.46	0.47	0.47	0.49	0.49	0.49	0.49	0.49	

PERFORMANCE DUCTED 18K (Sheet 2 of 4)

AIRFLOW (CFM)	OUTDOOR DB °F	ID WB (°F)	60.8				64.4				66.2				71.6			
		ID DB °F	73.4	77.0	80.6	84.2	73.4	77.0	80.6	84.2	73.4	77.0	80.6	84.20	73.4	77.0	80.6	84.2
Med	-22	TC	13732	13750	13766	13784	14559	14575	14592	14608	15388	15407	15426	16254	16274	16291	16310	16330
		S/T	0.31	0.36	0.42	0.48	0.33	0.38	0.44	0.50	0.35	0.40	0.47	0.53	0.61	0.69	0.79	0.90
		PI	1.10	1.10	1.10	1.10	1.16	1.16	1.16	1.17	1.23	1.23	1.23	1.30	1.31	1.31	1.31	1.31
	-10	TC	13966	13985	14001	14020	14808	14824	14841	14857	15637	15656	15675	16502	16523	16540	16559	16579
		S/T	0.32	0.36	0.42	0.48	0.33	0.38	0.45	0.51	0.35	0.40	0.47	0.54	0.61	0.70	0.80	0.91
		PI	1.09	1.09	1.09	1.09	1.15	1.15	1.15	1.15	1.22	1.22	1.22	1.29	1.29	1.29	1.30	1.30
	0	TC	14161	14180	14196	14216	15015	15032	15048	15065	15844	15863	15882	16710	16730	16747	16767	16786
		S/T	0.32	0.36	0.42	0.48	0.34	0.38	0.45	0.51	0.36	0.41	0.47	0.54	0.62	0.70	0.80	0.91
		PI	1.08	1.08	1.08	1.08	1.14	1.14	1.14	1.15	1.21	1.21	1.21	1.28	1.28	1.28	1.29	1.29
	5	TC	14259	14278	14294	14314	15119	15135	15152	15168	15948	15967	15986	16814	16834	16851	16870	16890
		S/T	0.32	0.36	0.42	0.48	0.34	0.38	0.45	0.51	0.36	0.41	0.48	0.54	0.62	0.71	0.80	0.92
		PI	1.07	1.07	1.07	1.08	1.14	1.14	1.14	1.14	1.20	1.21	1.21	1.28	1.28	1.28	1.28	1.28
	14	TC	14435	14454	14470	14490	15306	15322	15339	15355	16135	16154	16173	17000	17021	17038	17057	17076
		S/T	0.32	0.36	0.43	0.49	0.34	0.39	0.45	0.51	0.36	0.41	0.48	0.55	0.62	0.71	0.81	0.92
		PI	1.06	1.07	1.07	1.07	1.13	1.13	1.13	1.13	1.20	1.20	1.20	1.27	1.27	1.27	1.27	1.27
	23	TC	14535	14554	14571	14590	15412	15428	15445	15461	16241	16260	16279	17107	17127	17144	17163	17183
		S/T	0.32	0.37	0.43	0.49	0.34	0.39	0.45	0.52	0.36	0.41	0.48	0.55	0.62	0.71	0.81	0.93
		PI	1.06	1.06	1.07	1.07	1.13	1.13	1.13	1.13	1.19	1.19	1.19	1.20	1.20	1.20	1.27	1.27
	32	TC	14597	14617	14633	14653	15478	15495	15511	15528	16307	16326	16345	17173	17193	17210	17229	17249
		S/T	0.32	0.37	0.43	0.49	0.34	0.39	0.46	0.52	0.36	0.41	0.48	0.55	0.63	0.72	0.82	0.93
		PI	1.07	1.07	1.07	1.07	1.13	1.13	1.13	1.13	1.20	1.20	1.20	1.27	1.27	1.27	1.27	1.27
	41	TC	14087	14106	14122	14141	14936	14953	14969	14986	15765	15784	15803	16631	16651	16668	16687	16707
		S/T	0.32	0.37	0.43	0.49	0.34	0.39	0.46	0.52	0.36	0.42	0.49	0.55	0.63	0.72	0.82	0.94
		PI	1.14	1.14	1.14	1.14	1.20	1.20	1.21	1.21	1.28	1.28	1.28	1.35	1.35	1.35	1.36	1.36
	50	TC	13576	13594	13609	13628	14393	14409	14426	14442	15222	15241	15260	16088	16108	16125	16144	16164
		S/T	0.33	0.37	0.43	0.50	0.35	0.39	0.46	0.52	0.37	0.42	0.49	0.56	0.63	0.72	0.82	0.94
		PI	1.19	1.19	1.19	1.19	1.26	1.26	1.26	1.26	1.33	1.34	1.34	1.41	1.41	1.42	1.42	1.42
	59	TC	13634	13653	13668	13686	14455	14472	14488	14505	15284	15303	15322	16150	16170	16187	16206	16226
		S/T	0.33	0.37	0.44	0.50	0.35	0.40	0.46	0.53	0.37	0.42	0.49	0.56	0.64	0.73	0.83	0.94
		PI	1.14	1.14	1.14	1.15	1.21	1.21	1.21	1.21	1.28	1.28	1.29	1.36	1.36	1.36	1.36	1.36
	68	TC	13693	13711	13727	13745	14517	14534	14550	14567	15346	15365	15385	16212	16232	16249	16269	16288
		S/T	0.33	0.38	0.44	0.50	0.35	0.40	0.47	0.53	0.37	0.42	0.49	0.56	0.64	0.73	0.83	0.95
		PI	1.10	1.10	1.10	1.10	1.16	1.16	1.16	1.17	1.23	1.23	1.23	1.30	1.30	1.31	1.31	1.31
	77	TC	13752	13770	13786	13804	14580	14596	14613	14629	15409	15428	15447	16274	16295	16312	16331	16350
		S/T	0.34	0.39	0.45	0.51	0.36	0.41	0.48	0.54	0.38	0.43	0.51	0.58	0.66	0.75	0.85	0.97
		PI	1.05	1.05	1.05	1.05	1.11	1.11	1.11	1.12	1.18	1.18	1.18	1.25	1.25	1.25	1.25	1.25
	86	TC	13172	13190	13205	13222	13964	13980	13997	14013	14793	14812	14831	15659	15679	15696	15715	15735
		S/T	0.34	0.39	0.46	0.52	0.36	0.41	0.48	0.55	0.38	0.44	0.51	0.58	0.67	0.76	0.87	0.99
		PI	1.21	1.21	1.21	1.21	1.28	1.28	1.28	1.29	1.36	1.36	1.36	1.44	1.44	1.44	1.44	1.45
	95	TC	13083	13101	13116	13133	13870	13886	13903	13919	14699	14718	14737	15564	15585	15602	15621	15641
		S/T	0.35	0.40	0.47	0.53	0.37	0.42	0.50	0.57	0.39	0.45	0.53	0.60	0.68	0.78	0.89	1.00
		PI	1.21	1.21	1.21	1.21	1.28	1.28	1.29	1.29	1.36	1.36	1.36	1.44	1.44	1.44	1.45	1.45
	104	TC	10035	10049	10060	10074	10631	10647	10664	10680	11460	11479	11498	12326	12346	12363	12382	12402
		S/T	0.37	0.42	0.49	0.56	0.39	0.45	0.52	0.59	0.41	0.47	0.55	0.63	0.72	0.82	0.93	1.00
		PI	0.97	0.97	0.97	0.98	1.03	1.03	1.03	1.03	1.09	1.09	1.09	1.17	1.17	1.17	1.18	1.18
	115	TC	7657	7668	7676	7686	8104	8120	8137	8153	8933	8952	8971	9798	9819	9836	9855	9875
		S/T	0.37	0.43	0.50	0.57	0.40	0.45	0.53	0.60	0.42	0.48	0.56	0.64	0.73	0.83	0.94	1.00
		PI	0.78	0.78	0.78	0.78	0.83	0.83	0.83	0.83	0.88	0.88	0.88	0.90	0.90	0.91	0.91	0.91
122	TC	5392	5400	5406	5413	5680	5705	5730	5755	6941	6970	6999	8258	8289	8315	8344	8374	
	S/T	0.39	0.44	0.51	0.59	0.41	0.47	0.55	0.62	0.43	0.49	0.58	0.66	0.75	0.86	0.98	1.00	
		PI	0.63	0.63	0.63	0.63	0.66	0.66	0.67	0.67	0.70	0.70	0.71	0.74	0.75	0.75	0.75	

PERFORMANCE DUCTED 18K (Sheet 3 of 4)

AIRFLOW (CFM)	OUTDOOR DB °F	ID WB (°F)	60.8				64.4				66.2				71.6			
		ID DB °F	73.4	77.0	80.6	84.2	73.4	77.0	80.6	84.2	73.4	77.0	80.6	84.20	73.4	77.0	80.6	84.2
		TC	S/T	PI	TC	S/T	PI	TC	S/T	PI	TC	S/T	PI	TC	S/T	PI	TC	S/T
High	-22	TC	20891	20919	20943	20971	22149	22174	22200	22225	23410	23439	23469	24728	24759	24784	24814	24843
		S/T	0.48	0.54	0.63	0.72	0.50	0.58	0.67	0.77	0.53	0.61	0.71	0.81	0.93	1.00	1.00	1.00
		PI	1.67	1.67	1.67	1.67	1.77	1.77	1.77	1.77	1.87	1.88	1.88	1.98	1.99	1.99	1.99	1.99
	-10	TC	21248	21276	21300	21329	22528	22553	22578	22603	23789	23818	23847	25106	25137	25163	25193	25222
		S/T	0.48	0.55	0.64	0.73	0.51	0.58	0.68	0.77	0.54	0.61	0.72	0.82	0.93	1.00	1.00	1.00
		PI	1.65	1.65	1.65	1.66	1.75	1.75	1.75	1.76	1.85	1.86	1.86	1.96	1.97	1.97	1.97	1.97
	0	TC	21545	21574	21598	21627	22844	22869	22894	22919	24105	24134	24163	25422	25453	25479	25508	25538
		S/T	0.48	0.55	0.64	0.73	0.51	0.58	0.68	0.78	0.54	0.62	0.72	0.82	0.94	1.00	1.00	1.00
		PI	1.64	1.64	1.64	1.64	1.74	1.74	1.74	1.74	1.84	1.84	1.84	1.95	1.95	1.95	1.96	1.96
	5	TC	21693	21722	21747	21776	23002	23027	23052	23077	24263	24292	24321	25580	25611	25636	25666	25696
		S/T	0.48	0.55	0.64	0.73	0.51	0.58	0.68	0.78	0.54	0.62	0.72	0.83	0.94	1.00	1.00	1.00
		PI	1.63	1.63	1.63	1.64	1.73	1.73	1.73	1.74	1.83	1.83	1.84	1.94	1.94	1.94	1.95	1.95
	14	TC	21961	21990	22015	22045	23286	23311	23336	23361	24547	24576	24605	25864	25895	25920	25950	25980
		S/T	0.49	0.55	0.65	0.74	0.51	0.59	0.69	0.78	0.55	0.62	0.73	0.83	0.95	1.00	1.00	1.00
		PI	1.62	1.62	1.62	1.63	1.72	1.72	1.72	1.72	1.82	1.82	1.82	1.93	1.93	1.93	1.93	1.94
	23	TC	22113	22143	22167	22197	23447	23472	23497	23523	24708	24737	24767	26026	26056	26082	26112	26141
		S/T	0.49	0.56	0.65	0.74	0.52	0.59	0.69	0.79	0.55	0.63	0.73	0.83	0.95	1.00	1.00	1.00
		PI	1.62	1.62	1.62	1.62	1.72	1.72	1.72	1.72	1.82	1.82	1.82	1.92	1.92	1.93	1.93	1.93
	32	TC	22208	22237	22262	22292	23548	23573	23598	23623	24809	24838	24867	26126	26157	26183	26212	26242
		S/T	0.49	0.56	0.65	0.75	0.52	0.59	0.69	0.79	0.55	0.63	0.74	0.84	0.96	1.00	1.00	1.00
		PI	1.62	1.62	1.63	1.63	1.72	1.72	1.72	1.73	1.82	1.82	1.83	1.93	1.93	1.93	1.94	1.94
	41	TC	21432	21460	21485	21513	22724	22749	22774	22799	23984	24014	24043	25302	25333	25358	25388	25417
		S/T	0.49	0.56	0.66	0.75	0.52	0.60	0.70	0.79	0.55	0.63	0.74	0.84	0.96	1.00	1.00	1.00
		PI	1.73	1.73	1.73	1.73	1.83	1.83	1.84	1.84	1.94	1.94	1.95	2.05	2.06	2.06	2.06	2.06
	50	TC	20654	20682	20705	20733	21897	21922	21947	21972	23158	23187	23216	24475	24506	24532	24561	24591
		S/T	0.50	0.57	0.66	0.75	0.53	0.60	0.70	0.80	0.56	0.63	0.74	0.85	0.96	1.00	1.00	1.00
		PI	1.81	1.81	1.81	1.81	1.92	1.92	1.92	1.92	2.03	2.03	2.04	2.15	2.15	2.15	2.16	2.16
	59	TC	20743	20771	20794	20822	21992	22017	22042	22067	23253	23282	23311	24570	24601	24627	24656	24686
		S/T	0.50	0.57	0.66	0.76	0.53	0.60	0.70	0.80	0.56	0.64	0.75	0.85	0.97	1.00	1.00	1.00
		PI	1.74	1.74	1.74	1.74	1.84	1.84	1.85	1.85	1.95	1.95	1.96	2.07	2.07	2.07	2.07	2.08
	68	TC	20832	20860	20884	20912	22087	22111	22137	22162	23347	23376	23406	24665	24696	24721	24751	24780
		S/T	0.50	0.57	0.67	0.76	0.53	0.60	0.71	0.81	0.56	0.64	0.75	0.86	0.97	1.00	1.00	1.00
		PI	1.67	1.67	1.67	1.67	1.77	1.77	1.77	1.77	1.87	1.87	1.88	1.98	1.98	1.99	1.99	1.99
	77	TC	20921	20949	20973	21001	22181	22206	22231	22256	23442	23471	23500	24759	24790	24816	24846	24875
		S/T	0.51	0.59	0.69	0.78	0.54	0.62	0.73	0.83	0.58	0.66	0.77	0.88	1.00	1.00	1.00	1.00
		PI	1.60	1.60	1.60	1.60	1.69	1.69	1.70	1.70	1.79	1.79	1.80	1.90	1.90	1.90	1.90	1.91
	86	TC	20040	20067	20089	20116	21244	21269	21294	21320	22505	22534	22564	23823	23853	23879	23909	23938
		S/T	0.52	0.59	0.69	0.79	0.55	0.63	0.74	0.84	0.59	0.67	0.78	0.89	1.00	1.00	1.00	1.00
		PI	1.84	1.84	1.84	1.85	1.95	1.95	1.95	1.96	2.07	2.07	2.07	2.19	2.19	2.19	2.20	2.20
	95	TC	19905	19932	19954	19981	21101	21126	21151	21176	22362	22391	22420	23679	23710	23736	23765	23795
		S/T	0.53	0.61	0.71	0.81	0.57	0.65	0.75	0.86	0.60	0.68	0.80	0.91	0.64	0.74	0.85	0.97
		PI	1.84	1.84	1.85	1.85	1.95	1.95	1.96	1.96	2.07	2.07	2.07	2.19	2.19	2.20	2.20	2.20
	104	TC	15268	15288	15305	15326	16174	16199	16224	16249	17434	17464	17493	18752	18783	18808	18838	18867
		S/T	0.56	0.64	0.75	0.85	0.59	0.68	0.79	0.90	0.63	0.72	0.84	0.96	1.00	1.00	1.00	1.00
		PI	1.48	1.48	1.48	1.48	1.57	1.57	1.57	1.57	1.66	1.66	1.66	1.78	1.78	1.79	1.79	1.79
	115	TC	11650	11665	11678	11694	12329	12354	12379	12404	13590	13619	13648	14907	14938	14964	14993	15023
		S/T	0.57	0.65	0.76	0.86	0.60	0.69	0.80	0.91	0.64	0.73	0.85	0.97	1.00	1.00	1.00	1.00
		PI	1.19	1.19	1.19	1.19	1.26	1.26	1.26	1.26	1.33	1.33	1.34	1.37	1.37	1.38	1.38	1.38
122	TC	8827	8839	8848	8860	9329	9354	9379	9404	10590	10619	10648	11908	11938	11964	11994	12023	
	S/T	0.59	0.67	0.78	0.89	0.62	0.71	0.83	0.95	0.66	0.75	0.88	1.00	1.00	1.00	1.00	1.00	
	PI	0.95	0.95	0.95	0.96	1.01	1.01	1.01	1.01	1.07	1.07	1.07	1.13	1.13	1.14	1.14	1.14	

PERFORMANCE DUCTED 18K (Sheet 4 of 4)

AIRFLOW (CFM)	OUTDOOR DB °F	ID WB (°F)	60.8				64.4				66.2				71.6			
		ID DB °F	73.4	77.0	80.6	84.2	73.4	77.0	80.6	84.2	73.4	77.0	80.6	84.20	73.4	77.0	80.6	84.2
		TC	S/T	PI	TC	S/T	PI	TC	S/T	PI	TC	S/T	PI	TC	S/T	PI	TC	S/T
Turbo	-22	TC	20957	20985	21008	21037	22216	22243	22269	22295	23544	23574	23605	24931	24963	24990	25021	25053
		S/T	0.48	0.55	0.64	0.73	0.51	0.58	0.68	0.77	0.54	0.61	0.72	0.82	0.93	1.00	1.00	1.00
		PI	1.68	1.68	1.68	1.68	1.78	1.78	1.78	1.78	1.88	1.89	1.89	1.99	2.00	2.00	2.00	2.00
	-10	TC	21295	21324	21347	21376	22575	22601	22628	22655	23924	23955	23986	25333	25366	25394	25425	25457
		S/T	0.48	0.55	0.64	0.73	0.51	0.58	0.68	0.78	0.54	0.62	0.72	0.82	0.94	1.00	1.00	1.00
		PI	1.66	1.66	1.66	1.67	1.76	1.76	1.76	1.77	1.87	1.87	1.87	1.98	1.98	1.98	1.98	1.99
	0	TC	21577	21606	21630	21659	22874	22901	22928	22955	24240	24272	24303	25668	25702	25730	25762	25794
		S/T	0.48	0.55	0.65	0.74	0.51	0.59	0.69	0.78	0.54	0.62	0.73	0.83	0.94	1.00	1.00	1.00
		PI	1.65	1.65	1.65	1.65	1.75	1.75	1.75	1.75	1.85	1.85	1.86	1.96	1.96	1.96	1.97	1.97
	5	TC	21718	21747	21771	21801	23023	23050	23078	23105	24399	24430	24462	25836	25870	25898	25930	25962
		S/T	0.49	0.55	0.65	0.74	0.52	0.59	0.69	0.78	0.55	0.62	0.73	0.83	0.95	1.00	1.00	1.00
		PI	1.64	1.64	1.64	1.65	1.74	1.74	1.74	1.75	1.84	1.85	1.85	1.95	1.95	1.96	1.96	1.96
	14	TC	21971	22001	22026	22055	23292	23319	23347	23375	24684	24716	24748	26138	26172	26200	26233	26265
		S/T	0.49	0.56	0.65	0.74	0.52	0.59	0.69	0.79	0.55	0.63	0.73	0.83	0.95	1.00	1.00	1.00
		PI	1.63	1.63	1.63	1.63	1.73	1.73	1.73	1.73	1.83	1.83	1.83	1.94	1.94	1.94	1.94	1.95
	23	TC	22116	22145	22170	22200	23445	23473	23501	23528	24846	24878	24911	26310	26344	26372	26405	26438
		S/T	0.49	0.56	0.65	0.75	0.52	0.59	0.69	0.79	0.55	0.63	0.74	0.84	0.96	1.00	1.00	1.00
		PI	1.63	1.63	1.63	1.63	1.73	1.73	1.73	1.73	1.83	1.83	1.83	1.94	1.94	1.94	1.94	1.95
	32	TC	22206	22235	22260	22290	23540	23568	23596	23624	24947	24979	25012	26416	26451	26480	26513	26546
		S/T	0.49	0.56	0.66	0.75	0.52	0.60	0.70	0.80	0.55	0.63	0.74	0.84	0.96	1.00	1.00	1.00
		PI	1.63	1.63	1.64	1.64	1.73	1.73	1.73	1.74	1.83	1.84	1.84	1.94	1.94	1.95	1.95	1.95
	41	TC	21469	21498	21522	21551	22760	22787	22814	22841	24120	24151	24182	25541	25574	25602	25633	25665
		S/T	0.50	0.57	0.66	0.75	0.53	0.60	0.70	0.80	0.56	0.64	0.74	0.85	0.97	1.00	1.00	1.00
		PI	1.74	1.74	1.74	1.74	1.84	1.84	1.85	1.85	1.95	1.95	1.96	2.07	2.07	2.07	2.07	2.08
	50	TC	20731	20759	20782	20810	21977	22003	22029	22056	23291	23321	23351	24663	24695	24721	24752	24783
		S/T	0.50	0.57	0.66	0.76	0.53	0.60	0.70	0.80	0.56	0.64	0.75	0.85	0.97	1.00	1.00	1.00
		PI	1.82	1.82	1.82	1.82	1.93	1.93	1.93	1.93	2.04	2.04	2.05	2.16	2.17	2.17	2.17	2.17
	59	TC	20816	20844	20867	20895	22067	22093	22119	22146	23386	23416	23446	24763	24795	24822	24853	24884
		S/T	0.50	0.57	0.67	0.76	0.53	0.61	0.71	0.81	0.56	0.64	0.75	0.86	0.98	1.00	1.00	1.00
		PI	1.75	1.75	1.75	1.75	1.85	1.85	1.86	1.86	1.96	1.96	1.97	2.08	2.08	2.08	2.09	2.09
	68	TC	20900	20929	20952	20980	22157	22183	22209	22236	23481	23511	23542	24864	24896	24923	24954	24985
		S/T	0.50	0.57	0.67	0.77	0.53	0.61	0.71	0.81	0.57	0.64	0.75	0.86	0.98	1.00	1.00	1.00
		PI	1.68	1.68	1.68	1.68	1.78	1.78	1.78	1.78	1.88	1.88	1.89	1.99	2.00	2.00	2.00	2.00
	77	TC	20985	21013	21037	21065	22246	22273	22299	22326	23576	23606	23637	24964	24997	25024	25055	25086
		S/T	0.52	0.59	0.69	0.79	0.55	0.62	0.73	0.83	0.58	0.66	0.77	0.88	1.00	1.00	1.00	1.00
		PI	1.60	1.61	1.61	1.61	1.70	1.70	1.71	1.71	1.80	1.81	1.81	1.91	1.91	1.91	1.92	1.92
	86	TC	20149	20176	20198	20225	21360	21385	21410	21436	22636	22665	22695	23969	24000	24027	24056	24086
		S/T	0.52	0.60	0.70	0.80	0.56	0.63	0.74	0.84	0.59	0.67	0.78	0.89	1.00	1.00	1.00	1.00
		PI	1.85	1.85	1.85	1.86	1.96	1.96	1.97	1.97	2.08	2.08	2.08	2.20	2.20	2.21	2.21	2.21
	95	TC	20021	20047	20070	20097	21224	21249	21274	21299	22492	22521	22551	23817	23848	23874	23904	23933
		S/T	0.54	0.61	0.72	0.82	0.57	0.65	0.76	0.87	0.60	0.69	0.80	0.92	1.00	1.00	1.00	1.00
		PI	1.85	1.85	1.86	1.86	1.96	1.96	1.97	1.97	2.08	2.08	2.09	2.20	2.21	2.21	2.21	2.21
	104	TC	15620	15641	15659	15680	16559	16579	16598	16618	17549	17572	17594	18582	18607	18627	18650	18673
		S/T	0.56	0.64	0.75	0.86	0.60	0.68	0.80	0.91	0.63	0.72	0.84	0.96	1.00	1.00	1.00	1.00
		PI	1.49	1.49	1.49	1.49	1.58	1.58	1.58	1.58	1.67	1.67	1.67	1.77	1.77	1.77	1.77	1.78
	115	TC	12187	12204	12217	12234	12920	12935	12950	12966	13692	13710	13727	14498	14517	14533	14551	14569
		S/T	0.57	0.65	0.76	0.87	0.60	0.69	0.81	0.92	0.64	0.73	0.85	0.97	1.00	1.00	1.00	1.00
		PI	1.19	1.19	1.20	1.20	1.27	1.27	1.27	1.27	1.34	1.34	1.34	1.42	1.42	1.42	1.42	1.43
122	TC	9509	9521	9532	9545	10080	10092	10104	10116	10683	10696	10710	11312	11327	11339	11353	11367	
	S/T	0.59	0.67	0.79	0.90	0.63	0.71	0.84	0.95	0.66	0.75	0.89	1.00	1.00	1.00	1.00	1.00	
	PI	0.96	0.96	0.96	0.96	1.02	1.02	1.02	1.02	1.08	1.08	1.08	1.14	1.14	1.14	1.14	1.15	

NOTE: Data highlighted in gray is extrapolated data and not actual test data. At 77°F outdoor conditions sweat protection activates causing a decrease in total capacity.

LEGEND

- TC - Total Net Capacity (Btu/hour)
- S/T: Sensible Cooling Capacity Ratio
- PI: Power Input (kW)
- Extrapolated Data

COOLING PERFORMANCE DUCTED

COOLING PERFORMANCE 24K

PERFORMANCE DUCTED 24K (Sheet 1 of 4)

AIRFLOW (CFM)	OUTDOORDB °F	ID WB (°F)	60.8				64.4				66.2				71.6			
		ID DB °F	73.4	77.0	80.6	84.2	73.4	77.0	80.6	84.2	73.4	77.0	80.6	84.20	73.4	77.0	80.6	84.2
Low	-22	TC	11730	11746	11759	11775	12435	12450	12465	12480	13178	13196	13213	13911	13928	13942	13958	13975
		S/T	0.21	0.23	0.27	0.31	0.22	0.25	0.29	0.33	0.23	0.26	0.31	0.35	0.40	0.46	0.52	0.59
		PI	1.20	1.20	1.20	1.20	1.27	1.27	1.27	1.27	1.34	1.34	1.35	1.42	1.42	1.43	1.43	1.43
	-10	TC	11548	11563	11576	11592	12242	12256	12271	12285	12973	12990	13007	13705	13722	13736	13753	13769
		S/T	0.21	0.24	0.28	0.31	0.22	0.25	0.29	0.33	0.23	0.27	0.31	0.35	0.40	0.46	0.52	0.60
		PI	1.11	1.11	1.11	1.11	1.17	1.17	1.17	1.18	1.24	1.24	1.25	1.32	1.32	1.32	1.32	1.32
	0	TC	11395	11411	11424	11439	12080	12095	12109	12123	12802	12819	12835	13533	13550	13565	13581	13597
		S/T	0.21	0.24	0.28	0.32	0.22	0.25	0.29	0.34	0.23	0.27	0.31	0.36	0.41	0.46	0.53	0.60
		PI	1.03	1.03	1.03	1.03	1.09	1.09	1.10	1.10	1.16	1.16	1.16	1.23	1.23	1.23	1.23	1.23
	5	TC	11319	11334	11347	11362	12000	12014	12028	12042	12717	12733	12750	13448	13465	13479	13495	13512
		S/T	0.21	0.24	0.28	0.32	0.22	0.25	0.30	0.34	0.23	0.27	0.31	0.36	0.41	0.46	0.53	0.60
		PI	0.99	0.99	1.00	1.00	1.05	1.05	1.06	1.06	1.12	1.12	1.12	1.18	1.18	1.18	1.19	1.19
	14	TC	11182	11197	11210	11225	11854	11868	11882	11897	12563	12579	12595	13293	13310	13325	13341	13357
		S/T	0.21	0.24	0.28	0.32	0.22	0.25	0.30	0.34	0.24	0.27	0.31	0.36	0.41	0.47	0.53	0.61
		PI	0.93	0.93	0.93	0.93	0.98	0.98	0.98	0.99	1.04	1.04	1.04	1.10	1.10	1.10	1.11	1.11
	23	TC	10899	10914	10926	10941	11555	11568	11582	11596	12245	12261	12277	12975	12992	13006	13022	13039
		S/T	0.21	0.24	0.28	0.32	0.22	0.25	0.30	0.34	0.24	0.27	0.32	0.36	0.41	0.47	0.53	0.61
		PI	0.88	0.88	0.88	0.88	0.93	0.93	0.93	0.93	0.98	0.99	0.99	1.04	1.04	1.05	1.05	1.05
	32	TC	10544	10558	10570	10584	11178	11191	11204	11217	11846	11861	11876	12574	12591	12606	12622	12638
		S/T	0.21	0.24	0.28	0.32	0.22	0.26	0.30	0.34	0.24	0.27	0.32	0.36	0.41	0.47	0.54	0.61
		PI	0.84	0.84	0.84	0.84	0.89	0.89	0.89	0.89	0.94	0.94	0.94	0.99	1.00	1.00	1.00	1.00
	41	TC	10858	10873	10885	10900	11511	11524	11538	11552	12199	12214	12230	12928	12945	12960	12976	12992
		S/T	0.21	0.24	0.28	0.32	0.23	0.26	0.30	0.34	0.24	0.27	0.32	0.36	0.41	0.47	0.54	0.61
		PI	0.97	0.97	0.97	0.97	1.03	1.03	1.03	1.03	1.09	1.09	1.09	1.15	1.16	1.16	1.16	1.16
	50	TC	11465	11480	11493	11509	12154	12168	12183	12197	12880	12897	12914	13612	13629	13643	13659	13676
		S/T	0.21	0.24	0.29	0.33	0.23	0.26	0.30	0.35	0.24	0.27	0.32	0.37	0.42	0.48	0.54	0.62
		PI	1.12	1.12	1.12	1.12	1.19	1.19	1.19	1.19	1.26	1.26	1.26	1.33	1.33	1.34	1.34	1.34
	59	TC	11987	12003	12016	12033	12707	12722	12737	12752	13466	13484	13502	14199	14216	14231	14247	14264
		S/T	0.22	0.25	0.29	0.33	0.23	0.26	0.30	0.35	0.24	0.28	0.32	0.37	0.42	0.48	0.54	0.62
		PI	1.12	1.12	1.13	1.13	1.19	1.19	1.19	1.19	1.26	1.26	1.26	1.34	1.34	1.34	1.34	1.34
	68	TC	12508	12525	12539	12556	13260	13276	13292	13307	14053	14071	14089	14787	14804	14818	14835	14851
		S/T	0.22	0.25	0.29	0.33	0.23	0.26	0.31	0.35	0.24	0.28	0.32	0.37	0.42	0.48	0.55	0.62
		PI	1.13	1.13	1.13	1.13	1.19	1.19	1.20	1.20	1.26	1.27	1.27	1.34	1.34	1.34	1.34	1.35
	77	TC	13030	13048	13062	13080	13813	13830	13846	13863	14639	14658	14677	15375	15392	15406	15422	15439
		S/T	0.22	0.25	0.30	0.34	0.24	0.27	0.31	0.36	0.25	0.28	0.33	0.38	0.43	0.49	0.56	0.64
		PI	1.13	1.13	1.13	1.13	1.20	1.20	1.20	1.20	1.27	1.27	1.27	1.34	1.34	1.34	1.35	1.35
	86	TC	11081	11096	11108	11123	11747	11761	11775	11789	12449	12465	12481	13179	13196	13210	13227	13243
		S/T	0.22	0.26	0.30	0.34	0.24	0.27	0.32	0.36	0.25	0.29	0.34	0.38	0.44	0.50	0.57	0.65
		PI	1.24	1.25	1.25	1.25	1.32	1.32	1.32	1.32	1.40	1.40	1.40	1.48	1.48	1.48	1.49	1.49
	95	TC	11032	11047	11060	11074	11695	11709	11723	11737	12394	12410	12427	13124	13141	13156	13172	13188
		S/T	0.23	0.26	0.31	0.35	0.24	0.28	0.33	0.37	0.26	0.30	0.35	0.39	0.45	0.51	0.58	0.67
		PI	1.27	1.27	1.28	1.28	1.35	1.35	1.35	1.35	1.43	1.43	1.43	1.51	1.52	1.52	1.52	1.52
	104	TC	8944	8956	8966	8978	9482	9493	9504	9516	10048	10062	10075	10772	10790	10804	10820	10837
		S/T	0.24	0.28	0.32	0.37	0.26	0.29	0.34	0.39	0.27	0.31	0.36	0.41	0.47	0.54	0.61	0.70
		PI	1.09	1.09	1.09	1.10	1.16	1.16	1.16	1.16	1.23	1.23	1.23	1.31	1.31	1.31	1.32	1.32
	115	TC	7251	7261	7269	7279	7687	7696	7706	7715	8147	8157	8168	8866	8883	8897	8913	8930
		S/T	0.25	0.28	0.33	0.37	0.26	0.30	0.35	0.39	0.28	0.31	0.37	0.42	0.48	0.54	0.62	0.71
		PI	0.94	0.94	0.94	0.94	0.99	0.99	0.99	0.99	1.05	1.05	1.05	1.10	1.11	1.11	1.11	1.11
122	TC	5879	5887	5894	5901	6232	6240	6247	6255	6605	6613	6622	7684	7710	7731	7756	7781	
	S/T	0.25	0.29	0.34	0.39	0.27	0.31	0.36	0.41	0.29	0.33	0.38	0.43	0.49	0.56	0.64	0.73	
	PI	0.80	0.80	0.80	0.80	0.85	0.85	0.85	0.85	0.90	0.90	0.90	0.95	0.95	0.96	0.96	0.96	

PERFORMANCE DUCTED 24K (Sheet 2 of 4)

AIRFLOW (CFM)	OUTDOOR DB °F	ID WB (°F)	60.8				64.4				66.2				71.6			
		ID DB °F	73.4	77.0	80.6	84.2	73.4	77.0	80.6	84.2	73.4	77.0	80.6	84.20	73.4	77.0	80.6	84.2
Med	-22	TC	19115	19141	19162	19188	20267	20290	20312	20335	21402	21428	21454	22588	22615	22638	22665	22692
		S/T	0.31	0.36	0.42	0.48	0.33	0.38	0.44	0.50	0.35	0.40	0.47	0.53	0.61	0.69	0.79	0.90
		PI	1.81	1.81	1.81	1.82	1.92	1.92	1.92	1.93	2.03	2.04	2.04	2.15	2.16	2.16	2.16	2.16
	-10	TC	18801	18826	18847	18873	19933	19956	19978	20001	21068	21094	21120	22253	22281	22304	22331	22357
		S/T	0.32	0.36	0.42	0.48	0.33	0.38	0.45	0.51	0.35	0.40	0.47	0.54	0.61	0.70	0.80	0.91
		PI	1.67	1.68	1.68	1.68	1.77	1.78	1.78	1.78	1.88	1.88	1.89	1.99	1.99	2.00	2.00	2.00
	0	TC	18539	18564	18585	18610	19655	19677	19700	19722	20789	20816	20842	21975	22003	22026	22052	22079
		S/T	0.32	0.36	0.42	0.48	0.34	0.38	0.45	0.51	0.36	0.41	0.47	0.54	0.62	0.70	0.80	0.91
		PI	1.56	1.56	1.56	1.57	1.65	1.66	1.66	1.66	1.75	1.76	1.76	1.86	1.86	1.86	1.86	1.87
	5	TC	18408	18432	18453	18478	19515	19538	19560	19583	20650	20676	20702	21836	21863	21887	21913	21940
		S/T	0.32	0.36	0.42	0.48	0.34	0.38	0.45	0.51	0.36	0.41	0.48	0.54	0.62	0.71	0.80	0.92
		PI	1.50	1.51	1.51	1.51	1.59	1.60	1.60	1.60	1.69	1.69	1.69	1.79	1.79	1.79	1.80	1.80
	14	TC	18172	18196	18217	18241	19265	19287	19310	19332	20400	20426	20452	21585	21613	21636	21663	21689
		S/T	0.32	0.36	0.43	0.49	0.34	0.39	0.45	0.51	0.36	0.41	0.48	0.55	0.62	0.71	0.81	0.92
		PI	1.40	1.40	1.41	1.41	1.49	1.49	1.49	1.49	1.57	1.58	1.58	1.67	1.67	1.67	1.67	1.68
	23	TC	17685	17709	17729	17753	18748	18770	18793	18815	19882	19909	19935	21068	21096	21119	21145	21172
		S/T	0.32	0.37	0.43	0.49	0.34	0.39	0.45	0.52	0.36	0.41	0.48	0.55	0.62	0.71	0.81	0.93
		PI	1.33	1.33	1.33	1.33	1.41	1.41	1.41	1.41	1.49	1.49	1.49	1.58	1.58	1.58	1.58	1.59
	32	TC	17073	17096	17115	17138	18097	18120	18142	18165	19232	19258	19284	20418	20445	20468	20495	20522
		S/T	0.32	0.37	0.43	0.49	0.34	0.39	0.46	0.52	0.36	0.41	0.48	0.55	0.63	0.72	0.82	0.93
		PI	1.27	1.27	1.27	1.27	1.34	1.34	1.34	1.35	1.42	1.42	1.43	1.51	1.51	1.51	1.51	1.51
	41	TC	17614	17638	17658	17681	18672	18695	18717	18740	19807	19833	19859	20992	21020	21043	21070	21097
		S/T	0.32	0.37	0.43	0.49	0.34	0.39	0.46	0.52	0.36	0.42	0.49	0.55	0.63	0.72	0.82	0.94
		PI	1.47	1.47	1.47	1.48	1.56	1.56	1.56	1.56	1.65	1.65	1.66	1.75	1.75	1.75	1.75	1.76
	50	TC	18659	18684	18705	18730	19782	19804	19827	19849	20917	20943	20969	22102	22130	22153	22180	22206
		S/T	0.33	0.37	0.43	0.50	0.35	0.39	0.46	0.52	0.37	0.42	0.49	0.56	0.63	0.72	0.82	0.94
		PI	1.70	1.70	1.70	1.70	1.80	1.80	1.80	1.80	1.90	1.91	1.91	2.02	2.02	2.02	2.02	2.03
	59	TC	19557	19583	19605	19631	20736	20759	20781	20804	21871	21897	21923	23056	23084	23107	23134	23161
		S/T	0.33	0.37	0.44	0.50	0.35	0.40	0.46	0.53	0.37	0.42	0.49	0.56	0.64	0.73	0.83	0.94
		PI	1.70	1.70	1.70	1.71	1.80	1.80	1.81	1.81	1.91	1.91	1.91	2.02	2.02	2.03	2.03	2.03
	68	TC	20455	20482	20505	20533	21690	21713	21735	21758	22825	22851	22878	24011	24038	24062	24088	24115
		S/T	0.33	0.38	0.44	0.50	0.35	0.40	0.47	0.53	0.37	0.42	0.49	0.56	0.64	0.73	0.83	0.95
		PI	1.70	1.71	1.71	1.71	1.81	1.81	1.81	1.81	1.91	1.92	1.92	2.03	2.03	2.03	2.03	2.04
	77	TC	21353	21381	21405	21434	22645	22667	22690	22712	23779	23806	23832	24965	24993	25016	25042	25069
		S/T	0.34	0.39	0.45	0.51	0.36	0.41	0.48	0.54	0.38	0.43	0.51	0.58	0.66	0.75	0.85	0.97
		PI	1.71	1.71	1.71	1.71	1.81	1.81	1.81	1.82	1.92	1.92	1.92	2.03	2.03	2.04	2.04	2.04
	86	TC	17997	18022	18042	18066	19079	19102	19124	19147	20214	20240	20266	21400	21427	21451	21477	21504
		S/T	0.34	0.39	0.46	0.52	0.36	0.41	0.48	0.55	0.38	0.44	0.51	0.58	0.67	0.76	0.87	0.99
		PI	1.88	1.89	1.89	1.89	2.00	2.00	2.00	2.00	2.12	2.12	2.12	2.24	2.24	2.25	2.25	2.25
	95	TC	17914	17938	17958	17982	18991	19013	19036	19058	20125	20151	20178	21311	21339	21362	21388	21415
		S/T	0.35	0.40	0.47	0.53	0.37	0.42	0.50	0.57	0.39	0.45	0.53	0.60	0.68	0.78	0.89	1.00
		PI	1.93	1.93	1.93	1.93	2.04	2.05	2.05	2.05	2.17	2.17	2.17	2.29	2.30	2.30	2.30	2.30
	104	TC	14320	14339	14355	14375	15172	15194	15217	15239	16306	16333	16359	17492	17520	17543	17569	17596
		S/T	0.37	0.42	0.49	0.56	0.39	0.45	0.52	0.59	0.41	0.47	0.55	0.63	0.72	0.82	0.93	1.00
		PI	1.65	1.65	1.66	1.66	1.75	1.75	1.76	1.76	1.86	1.86	1.86	1.98	1.99	1.99	1.99	1.99
	115	TC	11406	11422	11434	11450	12076	12098	12121	12143	13210	13236	13263	14396	14424	14447	14473	14500
		S/T	0.37	0.43	0.50	0.57	0.40	0.45	0.53	0.60	0.42	0.48	0.56	0.64	0.73	0.83	0.94	1.00
		PI	1.42	1.42	1.42	1.42	1.50	1.50	1.50	1.51	1.59	1.59	1.59	1.67	1.68	1.68	1.68	1.68
122	TC	8484	8495	8505	8516	8946	8981	9015	9049	10673	10713	10753	12477	12519	12594	12635		
	S/T	0.39	0.44	0.51	0.59	0.41	0.47	0.55	0.62	0.43	0.49	0.58	0.66	0.75	0.86	0.98	1.00	
	PI	1.21	1.22	1.22	1.22	1.29	1.29	1.29	1.29	1.36	1.36	1.37	1.44	1.45	1.45	1.45	1.45	

PERFORMANCE DUCTED 24K (Sheet 3 of 4)

AIRFLOW (CFM)	OUTDOOR DB °F	ID WB (°F)	60.8				64.4				66.2				71.6			
		ID DB °F	73.4	77.0	80.6	84.2	73.4	77.0	80.6	84.2	73.4	77.0	80.6	84.20	73.4	77.0	80.6	84.2
High	-22	TC	29081	29121	29153	29193	30834	30868	30902	30937	32560	32600	32640	34364	34406	34441	34482	34522
		S/T	0.48	0.54	0.63	0.72	0.50	0.58	0.67	0.77	0.53	0.61	0.71	0.81	0.93	1.00	1.00	1.00
		PI	2.75	2.76	2.76	2.76	2.92	2.92	2.93	2.93	3.09	3.10	3.10	3.28	3.28	3.28	3.29	3.29
	-10	TC	28603	28641	28674	28712	30326	30360	30394	30428	32052	32092	32132	33856	33898	33933	33974	34014
		S/T	0.48	0.55	0.64	0.73	0.51	0.58	0.68	0.77	0.54	0.61	0.72	0.82	0.93	1.00	1.00	1.00
		PI	2.55	2.55	2.55	2.56	2.70	2.70	2.71	2.71	2.86	2.86	2.87	3.03	3.03	3.04	3.04	3.04
	0	TC	28204	28242	28274	28312	29902	29936	29970	30005	31628	31668	31708	33432	33474	33509	33550	33590
		S/T	0.48	0.55	0.64	0.73	0.51	0.58	0.68	0.78	0.54	0.62	0.72	0.82	0.94	1.00	1.00	1.00
		PI	2.37	2.38	2.38	2.38	2.52	2.52	2.52	2.53	2.67	2.67	2.67	2.82	2.83	2.83	2.83	2.84
	5	TC	28005	28043	28074	28112	29690	29724	29759	29793	31417	31456	31496	33220	33262	33298	33338	33379
		S/T	0.48	0.55	0.64	0.73	0.51	0.58	0.68	0.78	0.54	0.62	0.72	0.83	0.94	1.00	1.00	1.00
		PI	2.29	2.29	2.29	2.30	2.43	2.43	2.43	2.43	2.57	2.57	2.58	2.72	2.73	2.73	2.73	2.74
	14	TC	27646	27683	27714	27752	29309	29343	29377	29412	31035	31075	31115	32839	32881	32916	32957	32997
		S/T	0.49	0.55	0.65	0.74	0.51	0.59	0.69	0.78	0.55	0.62	0.73	0.83	0.95	1.00	1.00	1.00
		PI	2.13	2.14	2.14	2.14	2.26	2.26	2.27	2.27	2.40	2.40	2.40	2.54	2.54	2.54	2.55	2.55
	23	TC	26906	26942	26972	27009	28522	28556	28591	28625	30248	30288	30328	32052	32094	32130	32170	32211
		S/T	0.49	0.56	0.65	0.74	0.52	0.59	0.69	0.79	0.55	0.63	0.73	0.83	0.95	1.00	1.00	1.00
		PI	2.02	2.02	2.02	2.03	2.14	2.14	2.14	2.15	2.27	2.27	2.27	2.40	2.40	2.41	2.41	2.41
	32	TC	25975	26010	26039	26074	27533	27567	27601	27635	29259	29299	29339	31063	31105	31140	31181	31221
		S/T	0.49	0.56	0.65	0.75	0.52	0.59	0.69	0.79	0.55	0.63	0.74	0.84	0.96	1.00	1.00	1.00
		PI	1.92	1.93	1.93	1.93	2.04	2.04	2.05	2.05	2.16	2.17	2.17	2.29	2.29	2.30	2.30	2.30
	41	TC	26798	26834	26864	26900	28407	28441	28476	28510	30134	30173	30213	31937	31979	32015	32055	32096
		S/T	0.49	0.56	0.66	0.75	0.52	0.60	0.70	0.79	0.55	0.63	0.74	0.84	0.96	1.00	1.00	1.00
		PI	2.24	2.24	2.24	2.24	2.37	2.37	2.38	2.38	2.51	2.51	2.52	2.66	2.66	2.67	2.67	2.67
	50	TC	28387	28425	28457	28495	30096	30130	30164	30198	31822	31862	31902	33626	33668	33703	33743	33784
		S/T	0.50	0.57	0.66	0.75	0.53	0.60	0.70	0.80	0.56	0.63	0.74	0.85	0.96	1.00	1.00	1.00
		PI	2.58	2.58	2.59	2.59	2.73	2.74	2.74	2.74	2.90	2.90	2.91	3.07	3.07	3.08	3.08	3.08
	59	TC	29753	29793	29826	29866	31547	31582	31616	31650	33274	33314	33353	35077	35120	35155	35195	35236
		S/T	0.50	0.57	0.66	0.76	0.53	0.60	0.70	0.80	0.56	0.64	0.75	0.85	0.97	1.00	1.00	1.00
		PI	2.59	2.59	2.59	2.60	2.74	2.74	2.75	2.75	2.90	2.91	2.91	3.08	3.08	3.08	3.09	3.09
	68	TC	31119	31161	31196	31238	32999	33033	33068	33102	34726	34765	34805	36529	36571	36607	36647	36688
		S/T	0.50	0.57	0.67	0.76	0.53	0.60	0.71	0.81	0.56	0.64	0.75	0.86	0.97	1.00	1.00	1.00
		PI	2.59	2.59	2.60	2.60	2.75	2.75	2.75	2.76	2.91	2.92	2.92	3.08	3.09	3.09	3.09	3.10
	77	TC	32485	32529	32565	32609	34451	34485	34519	34554	36177	36217	36257	37981	38023	38058	38099	38139
		S/T	0.51	0.59	0.69	0.78	0.54	0.62	0.73	0.83	0.58	0.66	0.77	0.88	1.00	1.00	1.00	1.00
		PI	2.60	2.60	2.60	2.61	2.75	2.76	2.76	2.76	2.92	2.92	2.93	3.09	3.09	3.10	3.10	3.11
	86	TC	27381	27417	27448	27485	29027	29061	29095	29130	30753	30793	30833	32557	32599	32634	32675	32715
		S/T	0.52	0.59	0.69	0.79	0.55	0.63	0.74	0.84	0.59	0.67	0.78	0.89	1.00	1.00	1.00	1.00
		PI	2.87	2.87	2.87	2.88	3.04	3.04	3.05	3.05	3.22	3.22	3.23	3.41	3.41	3.42	3.42	3.43
	95	TC	27254	27290	27321	27358	28892	28926	28960	28995	30618	30658	30698	32422	32464	32499	32540	32580
		S/T	0.53	0.61	0.71	0.81	0.57	0.65	0.75	0.86	0.60	0.68	0.80	0.91	0.64	0.74	0.85	0.97
		PI	2.93	2.94	2.94	2.94	3.11	3.11	3.12	3.12	3.29	3.30	3.30	3.49	3.49	3.50	3.50	3.51
	104	TC	21786	21815	21840	21869	23082	23116	23150	23185	24808	24848	24888	26612	26654	26689	26730	26770
		S/T	0.56	0.64	0.75	0.85	0.59	0.68	0.79	0.90	0.63	0.72	0.84	0.96	1.00	1.00	1.00	1.00
		PI	2.51	2.52	2.52	2.52	2.66	2.67	2.67	2.67	2.82	2.83	2.83	3.02	3.02	3.02	3.03	3.03
	115	TC	17353	17377	17396	17420	18371	18406	18440	18474	20098	20138	20177	21901	21944	21979	22019	22060
		S/T	0.57	0.65	0.76	0.86	0.60	0.69	0.80	0.91	0.64	0.73	0.85	0.97	1.00	1.00	1.00	1.00
		PI	2.15	2.16	2.16	2.16	2.28	2.29	2.29	2.29	2.42	2.42	2.43	2.54	2.55	2.55	2.56	2.56
122	TC	13759	13778	13793	13812	14553	14587	14621	14655	16279	16319	16359	18083	18125	18160	18200	18241	
	PI	0.59	0.67	0.78	0.89	0.62	0.71	0.83	0.95	0.66	0.75	0.88	1.00	1.00	1.00	1.00	1.00	

PERFORMANCE DUCTED 24K (Sheet 4 of 4)

AIRFLOW (CFM)	OUTDOOR DB °F	ID WB (°F)	60.8				64.4				66.2				71.6			
		ID DB °F	73.4	77.0	80.6	84.2	73.4	77.0	80.6	84.2	73.4	77.0	80.6	84.20	73.4	77.0	80.6	84.2
Turbo	-22	TC	29146	29186	29218	29258	30898	30935	30972	31008	32745	32787	32830	34674	34719	34756	34800	34843
		S/T	0.48	0.55	0.64	0.73	0.51	0.58	0.68	0.77	0.54	0.61	0.72	0.82	0.93	1.00	1.00	1.00
		PI	2.77	2.77	2.78	2.78	2.94	2.94	2.94	2.95	3.11	3.12	3.12	3.29	3.30	3.30	3.31	3.31
	-10	TC	28693	28731	28763	28802	30417	30453	30489	30525	32235	32277	32318	34133	34178	34215	34258	34300
		S/T	0.48	0.55	0.64	0.73	0.51	0.58	0.68	0.78	0.54	0.62	0.72	0.82	0.94	1.00	1.00	1.00
		PI	2.56	2.56	2.57	2.57	2.72	2.72	2.72	2.72	2.88	2.88	2.88	3.05	3.05	3.05	3.06	3.06
	0	TC	28314	28352	28384	28422	30016	30052	30087	30123	31810	31851	31892	33683	33727	33764	33806	33848
		S/T	0.48	0.55	0.65	0.74	0.51	0.59	0.69	0.78	0.54	0.62	0.73	0.83	0.94	1.00	1.00	1.00
		PI	2.39	2.39	2.39	2.40	2.53	2.53	2.54	2.54	2.68	2.69	2.69	2.84	2.84	2.85	2.85	2.85
	5	TC	28125	28163	28194	28232	29815	29851	29886	29922	31597	31638	31679	33458	33502	33538	33580	33622
		S/T	0.49	0.55	0.65	0.74	0.52	0.59	0.69	0.78	0.55	0.62	0.73	0.83	0.95	1.00	1.00	1.00
		PI	2.30	2.30	2.31	2.31	2.44	2.44	2.45	2.45	2.59	2.59	2.59	2.74	2.74	2.74	2.75	2.75
	14	TC	27785	27822	27853	27891	29455	29489	29524	29559	31215	31255	31296	33053	33096	33132	33174	33215
		S/T	0.49	0.56	0.65	0.74	0.52	0.59	0.69	0.79	0.55	0.63	0.73	0.83	0.95	1.00	1.00	1.00
		PI	2.15	2.15	2.15	2.15	2.27	2.28	2.28	2.28	2.41	2.41	2.42	2.55	2.56	2.56	2.56	2.56
	23	TC	27082	27118	27149	27185	28710	28744	28778	28812	30425	30465	30504	32218	32260	32295	32335	32375
		S/T	0.49	0.56	0.65	0.75	0.52	0.59	0.69	0.79	0.55	0.63	0.74	0.84	0.96	1.00	1.00	1.00
		PI	2.03	2.03	2.04	2.04	2.15	2.15	2.16	2.16	2.28	2.28	2.29	2.42	2.42	2.42	2.42	2.43
	32	TC	26198	26234	26263	26299	27773	27806	27839	27872	29433	29471	29509	31166	31207	31241	31280	31319
		S/T	0.49	0.56	0.66	0.75	0.52	0.60	0.70	0.80	0.55	0.63	0.74	0.84	0.96	1.00	1.00	1.00
		PI	1.94	1.94	1.94	1.94	2.05	2.05	2.06	2.06	2.18	2.18	2.18	2.30	2.31	2.31	2.31	2.31
	41	TC	26979	27016	27046	27083	28601	28635	28669	28703	30310	30349	30389	32096	32137	32172	32212	32252
		S/T	0.50	0.57	0.66	0.75	0.53	0.60	0.70	0.80	0.56	0.64	0.74	0.85	0.97	1.00	1.00	1.00
		PI	2.25	2.25	2.25	2.26	2.38	2.39	2.39	2.39	2.53	2.53	2.53	2.67	2.68	2.68	2.68	2.69
	50	TC	28487	28525	28557	28596	30199	30235	30271	30307	32004	32043	32087	33889	33933	33970	34012	34055
		S/T	0.50	0.57	0.66	0.76	0.53	0.60	0.70	0.80	0.56	0.64	0.75	0.85	0.97	1.00	1.00	1.00
		PI	2.59	2.60	2.60	2.60	2.75	2.75	2.76	2.76	2.91	2.92	2.92	3.09	3.09	3.09	3.10	3.10
	59	TC	29784	29824	29857	29897	31574	31611	31648	31686	33460	33504	33547	35431	35477	35516	35560	35605
		S/T	0.50	0.57	0.67	0.76	0.53	0.61	0.71	0.81	0.56	0.64	0.75	0.86	0.98	1.00	1.00	1.00
		PI	2.60	2.60	2.61	2.61	2.76	2.76	2.76	2.77	2.92	2.93	2.93	3.09	3.10	3.10	3.10	3.11
	68	TC	31080	31122	31157	31199	32948	32987	33026	33065	34917	34962	35008	36974	37022	37062	37108	37154
		S/T	0.50	0.57	0.67	0.77	0.53	0.61	0.71	0.81	0.57	0.64	0.75	0.86	0.98	1.00	1.00	1.00
		PI	2.61	2.61	2.61	2.62	2.76	2.77	2.77	2.77	2.93	2.93	2.94	3.10	3.10	3.11	3.11	3.12
	77	TC	32376	32420	32456	32500	34322	34363	34404	34444	36373	36420	36468	38516	38566	38608	38656	38704
		S/T	0.52	0.59	0.69	0.79	0.55	0.62	0.73	0.83	0.58	0.66	0.77	0.88	1.00	1.00	1.00	1.00
		PI	2.61	2.62	2.62	2.62	2.77	2.77	2.78	2.78	2.94	2.94	2.94	3.11	3.11	3.12	3.12	3.12
	86	TC	27533	27570	27601	27638	29187	29222	29257	29291	30932	30972	31012	32754	32796	32832	32873	32914
		S/T	0.52	0.60	0.70	0.80	0.56	0.63	0.74	0.84	0.59	0.67	0.78	0.89	1.00	1.00	1.00	1.00
		PI	2.88	2.89	2.89	2.89	3.06	3.06	3.06	3.07	3.24	3.24	3.25	3.43	3.43	3.44	3.44	3.45
	95	TC	27412	27449	27480	27517	29060	29094	29129	29163	30796	30836	30876	32610	32653	32688	32729	32770
		S/T	0.54	0.61	0.72	0.82	0.57	0.65	0.76	0.87	0.60	0.69	0.80	0.92	1.00	1.00	1.00	1.00
		PI	2.95	2.95	2.96	2.96	3.13	3.13	3.13	3.14	3.31	3.32	3.32	3.51	3.51	3.52	3.52	3.53
	104	TC	22224	22254	22279	22309	23560	23588	23616	23644	24968	25000	25033	26438	26473	26502	26534	26568
		S/T	0.56	0.64	0.75	0.86	0.60	0.68	0.80	0.91	0.63	0.72	0.84	0.96	1.00	1.00	1.00	1.00
		PI	2.53	2.53	2.53	2.54	2.68	2.68	2.69	2.69	2.84	2.84	2.85	3.01	3.01	3.01	3.02	3.02
	115	TC	18018	18042	18062	18087	19101	19123	19146	19169	20242	20268	20295	21435	21462	21486	21512	21539
		S/T	0.57	0.65	0.76	0.87	0.60	0.69	0.81	0.92	0.64	0.73	0.85	0.97	1.00	1.00	1.00	1.00
		PI	2.17	2.17	2.17	2.17	2.30	2.30	2.30	2.30	2.43	2.44	2.44	2.58	2.58	2.58	2.59	2.59
122	TC	14608	14627	14644	14664	15486	15504	15522	15541	16411	16432	16454	17378	17400	17419	17441	17463	
	PI	0.59	0.67	0.79	0.90	0.63	0.71	0.84	0.95	0.66	0.75	0.89	1.00	1.00	1.00	1.00	1.00	

NOTE: Data highlighted in gray is extrapolated data and not actual test data. At 77°F outdoor conditions sweat protection activates causing a decrease in total capacity.

LEGEND

- TC - Total Net Capacity (Btu/hour)
- S/T: Sensible Cooling Capacity Ratio
- PI: Power Input (kW)
- Extrapolated Data

COOLING PERFORMANCE DUCTED

COOLING PERFORMANCE 30K

PERFORMANCE DUCTED 30K (Sheet 1 of 4)

AIRFLOW (CFM)	OUTDOOR DB°F	ID WB(°F)		60.8				64.4				66.2				71.6				
		ID DB°F		73.4	77.0	80.6	84.2	73.4	77.0	80.6	84.2	73.4	77.0	80.6	84.2	73.4	77.0	80.6	84.2	
		TC	PI	S/T	TC	PI	S/T	TC	PI	S/T	TC	PI	S/T	TC	PI	S/T	TC	PI	S/T	
Low	-22	TC	16090	16111	16130	16151	17057	17077	17097	17118	18076	18100	18123	19000	19022	19040	19060	19081		
		S/T	0.21	0.23	0.27	0.31	0.22	0.25	0.29	0.33	0.23	0.26	0.31	0.35	0.40	0.46	0.52	0.59		
		PI	1.16	1.16	1.16	1.16	1.23	1.23	1.23	1.23	1.30	1.30	1.31	1.38	1.38	1.38	1.38	1.38		
	-10	TC	15332	15353	15370	15391	16254	16273	16292	16311	17225	17247	17270	18147	18168	18186	18207	18227		
		S/T	0.21	0.24	0.28	0.31	0.22	0.25	0.29	0.33	0.23	0.27	0.31	0.35	0.40	0.46	0.52	0.60		
		PI	1.25	1.26	1.26	1.26	1.33	1.33	1.33	1.33	1.41	1.41	1.41	1.49	1.49	1.50	1.50	1.50		
	0	TC	14701	14720	14737	14757	15584	15603	15621	15640	16515	16537	16558	17436	17457	17475	17496	17516		
		S/T	0.21	0.24	0.28	0.32	0.22	0.25	0.29	0.34	0.23	0.27	0.31	0.36	0.41	0.46	0.53	0.60		
		PI	1.33	1.33	1.34	1.34	1.41	1.41	1.42	1.42	1.50	1.50	1.50	1.59	1.59	1.59	1.59	1.59		
	5	TC	14385	14404	14420	14440	15249	15267	15286	15304	16161	16182	16203	17080	17101	17119	17140	17160		
		S/T	0.21	0.24	0.28	0.32	0.22	0.25	0.30	0.34	0.23	0.27	0.31	0.36	0.41	0.46	0.53	0.60		
		PI	1.37	1.37	1.38	1.38	1.45	1.46	1.46	1.46	1.54	1.54	1.55	1.63	1.63	1.64	1.64	1.64		
	14	TC	13816	13835	13851	13869	14664	14664	14682	14699	15522	15522	15542	16440	16461	16479	16500	16520		
		S/T	0.21	0.24	0.28	0.32	0.22	0.25	0.30	0.34	0.24	0.27	0.31	0.36	0.41	0.47	0.53	0.61		
		PI	1.44	1.44	1.45	1.45	1.53	1.53	1.53	1.53	1.62	1.62	1.63	1.72	1.72	1.72	1.72	1.72		
	23	TC	14386	14405	14422	14441	15251	15269	15287	15305	16162	16183	16204	17081	17103	17121	17141	17162		
		S/T	0.21	0.24	0.28	0.32	0.22	0.25	0.30	0.34	0.24	0.27	0.32	0.36	0.41	0.47	0.53	0.61		
		PI	1.36	1.36	1.36	1.36	1.44	1.44	1.44	1.45	1.53	1.53	1.53	1.62	1.62	1.62	1.62	1.62		
	32	TC	15525	15545	15563	15584	16458	16477	16497	16516	17441	17464	17486	18364	18385	18403	18424	18444		
		S/T	0.21	0.24	0.28	0.32	0.22	0.26	0.30	0.34	0.24	0.27	0.32	0.36	0.41	0.47	0.54	0.61		
		PI	1.20	1.20	1.20	1.20	1.27	1.27	1.27	1.27	1.34	1.35	1.35	1.42	1.43	1.43	1.43	1.43		
	41	TC	15100	15120	15137	15157	16007	16026	16045	16064	16964	16986	17008	17885	17907	17925	17945	17966		
		S/T	0.21	0.24	0.28	0.32	0.23	0.26	0.30	0.34	0.24	0.27	0.32	0.36	0.41	0.47	0.54	0.61		
		PI	1.11	1.11	1.11	1.11	1.18	1.18	1.18	1.18	1.25	1.25	1.25	1.32	1.32	1.32	1.33	1.33		
	50	TC	14340	14359	14375	14395	15202	15220	15238	15256	16110	16131	16152	17029	17051	17069	17089	17110		
		S/T	0.21	0.24	0.29	0.33	0.23	0.26	0.30	0.35	0.24	0.27	0.32	0.37	0.42	0.48	0.54	0.62		
		PI	1.11	1.11	1.11	1.11	1.18	1.18	1.18	1.18	1.25	1.25	1.25	1.32	1.32	1.32	1.32	1.33		
	59	TC	14473	14493	14509	14529	15343	15361	15380	15398	16260	16281	16302	17180	17201	17219	17240	17260		
		S/T	0.22	0.25	0.29	0.33	0.23	0.26	0.30	0.35	0.24	0.28	0.32	0.37	0.42	0.48	0.54	0.62		
		PI	1.21	1.21	1.21	1.21	1.28	1.28	1.28	1.28	1.36	1.36	1.36	1.44	1.44	1.44	1.44	1.44		
	68	TC	14607	14626	14643	14663	15485	15503	15521	15540	16410	16431	16453	17330	17351	17369	17390	17411		
		S/T	0.22	0.25	0.29	0.33	0.23	0.26	0.31	0.35	0.24	0.28	0.32	0.37	0.42	0.48	0.55	0.62		
		PI	1.31	1.31	1.31	1.31	1.38	1.39	1.39	1.39	1.47	1.47	1.47	1.55	1.55	1.56	1.56	1.56		
	77	TC	14740	14760	14777	14797	15626	15645	15663	15682	16560	16582	16603	17480	17502	17520	17540	17561		
		S/T	0.22	0.25	0.30	0.34	0.24	0.27	0.31	0.36	0.25	0.28	0.33	0.38	0.43	0.49	0.56	0.64		
		PI	1.40	1.41	1.41	1.41	1.49	1.49	1.49	1.49	1.58	1.58	1.58	1.67	1.67	1.67	1.68	1.68		
	86	TC	13948	13966	13982	14001	14786	14803	14821	14839	15669	15690	15710	16587	16609	16627	16647	16668		
		S/T	0.22	0.26	0.30	0.34	0.24	0.27	0.32	0.36	0.25	0.29	0.34	0.38	0.44	0.50	0.57	0.65		
		PI	1.52	1.52	1.52	1.52	1.61	1.61	1.61	1.61	1.70	1.71	1.71	1.80	1.81	1.81	1.81	1.81		
	95	TC	13867	13886	13902	13920	14701	14718	14736	14753	15579	15600	15620	16497	16518	16536	16557	16578		
		S/T	0.23	0.26	0.31	0.35	0.24	0.28	0.33	0.37	0.26	0.30	0.35	0.39	0.45	0.51	0.58	0.67		
		PI	1.62	1.62	1.62	1.62	1.72	1.72	1.72	1.72	1.82	1.82	1.82	1.92	1.93	1.93	1.93	1.93		
	104	TC	11237	11252	11265	11280	11912	11927	11941	11955	12624	12641	12657	13534	13556	13574	13594	13615		
		S/T	0.24	0.28	0.32	0.37	0.26	0.29	0.34	0.39	0.27	0.31	0.36	0.41	0.47	0.54	0.61	0.70		
		PI	1.38	1.38	1.38	1.38	1.46	1.46	1.46	1.47	1.55	1.55	1.55	1.65	1.66	1.66	1.66	1.66		
	115	TC	9106	9118	9128	9141	9653	9664	9676	9687	10230	10243	10256	11134	11155	11173	11194	11214		
		S/T	0.25	0.28	0.33	0.37	0.26	0.30	0.35	0.39	0.28	0.31	0.37	0.42	0.48	0.54	0.62	0.71		
		PI	1.17	1.18	1.18	1.18	1.24	1.25	1.25	1.25	1.32	1.32	1.32	1.38	1.39	1.39	1.39	1.39		
122	TC	7379	7389	7397	7407	7822	7831	7841	7850	8290	8300	8311	9646	9678	9706	9737	9768			
	S/T	0.25	0.29	0.34	0.39	0.27	0.31	0.36	0.41	0.29	0.33	0.38	0.43	0.49	0.56	0.64	0.73			
	PI	1.00	1.00	1.00	1.00	1.06	1.06	1.06	1.06	1.12	1.12	1.13	1.19	1.19	1.19	1.19	1.20			

PERFORMANCE DUCTED 30K (Sheet 2 of 4)

AIRFLOW (CFM)	OUTDOOR DB°F	ID WB(°F)	60.8				64.4				66.2				71.6			
		ID DB°F	73.4	77.0	80.6	84.2	73.4	77.0	80.6	84.2	73.4	77.0	80.6	84.2	73.4	77.0	80.6	84.2
		TC	S/T	PI	TC	S/T	PI	TC	S/T	PI	TC	S/T	PI	TC	S/T	PI	TC	S/T
Med	-22	TC	26343	26378	26408	26443	27936	27964	27992	28021	29362	29395	29428	30852	30887	30916	30950	30983
		S/T	0.31	0.36	0.42	0.48	0.33	0.38	0.44	0.50	0.35	0.40	0.47	0.53	0.61	0.69	0.79	0.90
		PI	1.76	1.76	1.76	1.76	1.86	1.86	1.87	1.87	1.97	1.97	1.98	2.09	2.09	2.09	2.10	2.10
	-10	TC	25038	25072	25100	25134	26550	26578	26606	26635	27976	28009	28042	29466	29501	29530	29564	29597
		S/T	0.32	0.36	0.42	0.48	0.33	0.38	0.45	0.51	0.35	0.40	0.47	0.54	0.61	0.70	0.80	0.91
		PI	1.90	1.90	1.90	1.91	2.01	2.01	2.02	2.02	2.13	2.14	2.14	2.26	2.26	2.26	2.27	2.27
	0	TC	23951	23984	24011	24043	25395	25423	25451	25480	26821	26854	26887	28311	28346	28375	28409	28442
		S/T	0.32	0.36	0.42	0.48	0.34	0.38	0.45	0.51	0.36	0.41	0.47	0.54	0.62	0.70	0.80	0.91
		PI	2.02	2.02	2.02	2.03	2.14	2.14	2.14	2.15	2.27	2.27	2.27	2.40	2.40	2.41	2.41	2.41
	5	TC	23408	23439	23466	23497	24817	24845	24874	24902	26243	26276	26309	27734	27768	27798	27831	27865
		S/T	0.32	0.36	0.42	0.48	0.34	0.38	0.45	0.51	0.36	0.41	0.48	0.54	0.62	0.71	0.80	0.92
		PI	2.08	2.08	2.08	2.08	2.20	2.20	2.21	2.21	2.33	2.34	2.34	2.47	2.47	2.48	2.48	2.48
	14	TC	22430	22460	22485	22515	23778	23806	23834	23863	25204	25237	25270	26694	26729	26758	26792	26825
		S/T	0.32	0.36	0.43	0.49	0.34	0.39	0.45	0.51	0.36	0.41	0.48	0.55	0.62	0.71	0.81	0.92
		PI	2.18	2.19	2.19	2.19	2.32	2.32	2.32	2.32	2.45	2.46	2.46	2.60	2.60	2.60	2.61	2.61
	23	TC	23410	23442	23468	23499	24819	24848	24876	24904	26246	26279	26312	27736	27771	27800	27833	27867
		S/T	0.32	0.37	0.43	0.49	0.34	0.39	0.45	0.52	0.36	0.41	0.48	0.55	0.62	0.71	0.81	0.93
		PI	2.06	2.06	2.06	2.06	2.18	2.18	2.19	2.19	2.31	2.31	2.32	2.45	2.45	2.45	2.46	2.46
	32	TC	25370	25404	25432	25467	26902	26930	26958	26987	28328	28361	28394	29818	29853	29882	29916	29949
		S/T	0.32	0.37	0.43	0.49	0.34	0.39	0.46	0.52	0.36	0.41	0.48	0.55	0.63	0.72	0.82	0.93
		PI	1.81	1.81	1.82	1.82	1.92	1.92	1.93	1.93	2.04	2.04	2.04	2.16	2.16	2.16	2.16	2.17
	41	TC	24638	24672	24699	24732	26125	26153	26181	26210	27551	27584	27617	29041	29076	29105	29139	29172
		S/T	0.32	0.37	0.43	0.49	0.34	0.39	0.46	0.52	0.36	0.42	0.49	0.55	0.63	0.72	0.82	0.94
		PI	1.68	1.68	1.68	1.69	1.78	1.78	1.79	1.79	1.89	1.89	1.89	2.00	2.00	2.00	2.01	2.01
	50	TC	23330	23362	23388	23420	24735	24763	24791	24820	26161	26194	26227	27651	27686	27715	27749	27782
		S/T	0.33	0.37	0.43	0.50	0.35	0.39	0.46	0.52	0.37	0.42	0.49	0.56	0.63	0.72	0.82	0.94
		PI	1.68	1.68	1.68	1.69	1.78	1.78	1.78	1.79	1.89	1.89	1.89	2.00	2.00	2.00	2.00	2.01
	59	TC	23560	23592	23618	23650	24979	25007	25036	25064	26405	26438	26471	27896	27930	27960	27993	28026
		S/T	0.33	0.37	0.44	0.50	0.35	0.40	0.46	0.53	0.37	0.42	0.49	0.56	0.64	0.73	0.83	0.94
		PI	1.83	1.83	1.83	1.83	1.94	1.94	1.94	1.94	2.05	2.06	2.06	2.17	2.18	2.18	2.18	2.18
	68	TC	23790	23822	23849	23881	25223	25251	25280	25308	26650	26682	26715	28140	28175	28204	28237	28271
		S/T	0.33	0.38	0.44	0.50	0.35	0.40	0.47	0.53	0.37	0.42	0.49	0.56	0.64	0.73	0.83	0.95
		PI	1.98	1.98	1.98	1.98	2.09	2.10	2.10	2.10	2.22	2.22	2.23	2.35	2.35	2.36	2.36	2.36
	77	TC	24020	24052	24079	24112	25467	25496	25524	25552	26894	26927	26960	28384	28419	28448	28481	28515
		S/T	0.34	0.39	0.45	0.51	0.36	0.41	0.48	0.54	0.38	0.43	0.51	0.58	0.66	0.75	0.85	0.97
		PI	2.12	2.13	2.13	2.13	2.25	2.25	2.26	2.26	2.39	2.39	2.39	2.53	2.53	2.53	2.54	2.54
	86	TC	22655	22686	22711	22742	24017	24046	24074	24102	25444	25477	25510	26934	26969	26998	27031	27065
		S/T	0.34	0.39	0.46	0.52	0.36	0.41	0.48	0.55	0.38	0.44	0.51	0.58	0.67	0.76	0.87	0.99
		PI	2.30	2.30	2.30	2.30	2.43	2.44	2.44	2.44	2.58	2.58	2.59	2.73	2.73	2.74	2.74	2.74
	95	TC	22517	22548	22573	22603	23871	23899	23927	23956	25297	25330	25363	26787	26822	26851	26885	26918
		S/T	0.35	0.40	0.47	0.53	0.37	0.42	0.50	0.57	0.39	0.45	0.53	0.60	0.68	0.78	0.89	1.00
		PI	2.45	2.45	2.46	2.46	2.60	2.60	2.60	2.61	2.75	2.76	2.76	2.91	2.92	2.92	2.92	2.93
	104	TC	17990	18014	18035	18059	19060	19088	19117	19145	20486	20519	20552	21977	22011	22041	22074	22107
		S/T	0.37	0.42	0.49	0.56	0.39	0.45	0.52	0.59	0.41	0.47	0.55	0.63	0.72	0.82	0.93	1.00
		PI	2.09	2.09	2.09	2.09	2.21	2.21	2.22	2.22	2.34	2.35	2.35	2.50	2.51	2.51	2.52	2.52
	115	TC	14322	14341	14357	14376	15162	15190	15218	15247	16588	16621	16654	18078	18113	18142	18176	18209
		S/T	0.37	0.43	0.50	0.57	0.40	0.45	0.53	0.60	0.42	0.48	0.56	0.64	0.73	0.83	0.94	1.00
		PI	1.78	1.78	1.78	1.78	1.88	1.89	1.89	1.89	2.00	2.00	2.00	2.10	2.10	2.10	2.11	2.11
122	TC	10645	10659	10671	10685	11225	11268	11311	11354	13395	13445	13495	15662	15715	15760	15810	15861	
	S/T	0.39	0.44	0.51	0.59	0.41	0.47	0.55	0.62	0.43	0.49	0.58	0.66	0.75	0.86	0.98	1.00	
	PI	1.51	1.52	1.52	1.52	1.60	1.61	1.61	1.61	1.70	1.70	1.70	1.80	1.80	1.80	1.81	1.81	

PERFORMANCE DUCTED 30K (Sheet 3 of 4)

AIRFLOW (CFM)	OUTDOOR DB°F	ID WB(°F)		60.8				64.4				66.2				71.6			
		ID DB°F	73.4	77.0	80.6	84.2	73.4	77.0	80.6	84.2	73.4	77.0	80.6	84.2	73.4	77.0	80.6	84.2	
		TC	S/T	PI	TC	S/T	PI	TC	S/T	PI	TC	S/T	PI	TC	S/T	PI	TC	S/T	PI
High	-22	TC	40077	40131	40176	40230	42500	42543	42586	42630	44670	44720	44771	46938	46991	47035	47086	47137	
		S/T	0.48	0.54	0.63	0.72	0.50	0.58	0.67	0.77	0.53	0.61	0.71	0.81	0.93	1.00	1.00	1.00	
		PI	2.67	2.67	2.68	2.68	2.83	2.83	2.84	2.84	3.00	3.00	3.01	3.18	3.18	3.18	3.19	3.19	
	-10	TC	38093	38144	38187	38238	40392	40435	40478	40521	42562	42612	42662	44829	44882	44926	44977	45028	
		S/T	0.48	0.55	0.64	0.73	0.51	0.58	0.68	0.77	0.54	0.61	0.72	0.82	0.93	1.00	1.00	1.00	
		PI	2.89	2.89	2.89	2.90	3.06	3.06	3.07	3.07	3.24	3.25	3.25	3.44	3.44	3.44	3.45	3.45	
	0	TC	36439	36488	36529	36578	38635	38678	38721	38764	40805	40855	40905	43072	43125	43169	43220	43271	
		S/T	0.48	0.55	0.64	0.73	0.51	0.58	0.68	0.78	0.54	0.62	0.72	0.82	0.94	1.00	1.00	1.00	
		PI	3.07	3.07	3.08	3.08	3.25	3.26	3.26	3.27	3.45	3.45	3.46	3.65	3.66	3.66	3.66	3.67	
	5	TC	35612	35660	35700	35748	37756	37799	37842	37885	39926	39976	40026	42193	42246	42291	42341	42392	
		S/T	0.48	0.55	0.64	0.73	0.51	0.58	0.68	0.78	0.54	0.62	0.72	0.83	0.94	1.00	1.00	1.00	
		PI	3.16	3.16	3.17	3.17	3.35	3.35	3.36	3.36	3.55	3.55	3.56	3.76	3.76	3.77	3.77	3.78	
	14	TC	34124	34170	34208	34254	36174	36217	36261	36304	38345	38395	38445	40612	40665	40709	40760	40811	
		S/T	0.49	0.55	0.65	0.74	0.51	0.59	0.69	0.78	0.55	0.62	0.73	0.83	0.95	1.00	1.00	1.00	
		PI	3.32	3.33	3.33	3.34	3.52	3.53	3.53	3.54	3.73	3.74	3.74	3.95	3.96	3.96	3.97	3.97	
	23	TC	35615	35663	35703	35751	37759	37802	37845	37889	39929	39979	40030	42197	42250	42294	42345	42396	
		S/T	0.49	0.56	0.65	0.74	0.52	0.59	0.69	0.79	0.55	0.63	0.73	0.83	0.95	1.00	1.00	1.00	
		PI	3.13	3.13	3.14	3.14	3.32	3.32	3.33	3.33	3.52	3.52	3.52	3.72	3.73	3.73	3.74	3.74	
	32	TC	38597	38649	38692	38744	40927	40970	41013	41057	43098	43148	43198	45365	45418	45462	45513	45564	
		S/T	0.49	0.56	0.65	0.75	0.52	0.59	0.69	0.79	0.55	0.63	0.74	0.84	0.96	1.00	1.00	1.00	
		PI	2.76	2.76	2.76	2.77	2.92	2.93	2.93	2.93	3.10	3.10	3.11	3.28	3.28	3.29	3.29	3.30	
	41	TC	37484	37535	37577	37627	39745	39788	39831	39874	41915	41965	42015	44182	44235	44280	44331	44381	
		S/T	0.49	0.56	0.66	0.75	0.52	0.60	0.70	0.79	0.55	0.63	0.74	0.84	0.96	1.00	1.00	1.00	
		PI	2.56	2.56	2.56	2.57	2.71	2.71	2.72	2.72	2.87	2.88	2.88	3.04	3.04	3.05	3.05	3.06	
	50	TC	35494	35542	35582	35630	37631	37674	37717	37760	39801	39851	39901	42068	42121	42165	42216	42267	
		S/T	0.50	0.57	0.66	0.75	0.53	0.60	0.70	0.80	0.56	0.63	0.74	0.85	0.96	1.00	1.00	1.00	
		PI	2.55	2.56	2.56	2.56	2.71	2.71	2.71	2.72	2.87	2.87	2.88	3.04	3.04	3.05	3.05	3.05	
	59	TC	35844	35892	35932	35981	38002	38045	38088	38132	40172	40222	40272	42439	42492	42537	42588	42639	
		S/T	0.50	0.57	0.66	0.76	0.53	0.60	0.70	0.80	0.56	0.64	0.75	0.85	0.97	1.00	1.00	1.00	
		PI	2.78	2.78	2.79	2.79	2.95	2.95	2.95	2.96	3.12	3.13	3.13	3.31	3.31	3.32	3.32	3.32	
	68	TC	36194	36242	36283	36332	38374	38417	38460	38503	40544	40594	40644	42811	42864	42908	42959	43010	
		S/T	0.50	0.57	0.67	0.76	0.53	0.60	0.71	0.81	0.56	0.64	0.75	0.86	0.97	1.00	1.00	1.00	
		PI	3.01	3.01	3.01	3.02	3.19	3.19	3.19	3.20	3.38	3.38	3.39	3.58	3.58	3.58	3.59	3.59	
	77	TC	36543	36592	36633	36683	38745	38788	38831	38874	40915	40965	41016	43183	43236	43280	43331	43382	
		S/T	0.51	0.59	0.69	0.78	0.54	0.62	0.73	0.83	0.58	0.66	0.77	0.88	1.00	1.00	1.00	1.00	
		PI	3.23	3.24	3.24	3.24	3.43	3.43	3.43	3.44	3.63	3.64	3.64	3.84	3.85	3.85	3.86	3.86	
	86	TC	34467	34514	34552	34599	36539	36582	36625	36669	38709	38759	38810	40977	41030	41074	41125	41176	
		S/T	0.52	0.59	0.69	0.79	0.55	0.63	0.74	0.84	0.59	0.67	0.78	0.89	1.00	1.00	1.00	1.00	
		PI	3.49	3.50	3.50	3.51	3.70	3.71	3.71	3.72	3.92	3.93	3.93	4.15	4.16	4.16	4.17	4.17	
	95	TC	34257	34303	34342	34388	36316	36359	36402	36445	38486	38536	38586	40753	40806	40851	40901	40952	
		S/T	0.53	0.61	0.71	0.81	0.57	0.65	0.75	0.86	0.60	0.68	0.80	0.91	0.64	0.74	0.85	0.97	
		PI	3.73	3.73	3.74	3.74	3.95	3.95	3.96	3.96	4.19	4.19	4.20	4.43	4.44	4.44	4.45	4.45	
	104	TC	27370	27406	27437	27474	28997	29040	29083	29127	31167	31217	31268	33435	33488	33532	33583	33634	
		S/T	0.56	0.64	0.75	0.85	0.59	0.68	0.79	0.90	0.63	0.72	0.84	0.96	1.00	1.00	1.00	1.00	
		PI	3.17	3.18	3.18	3.19	3.36	3.37	3.37	3.38	3.57	3.57	3.57	3.81	3.82	3.82	3.83	3.83	
	115	TC	21789	21818	21842	21872	23067	23110	23153	23196	25237	25287	25337	27504	27557	27601	27652	27703	
		S/T	0.57	0.65	0.76	0.86	0.60	0.69	0.80	0.91	0.64	0.73	0.85	0.97	1.00	1.00	1.00	1.00	
		PI	2.70	2.71	2.71	2.71	2.87	2.87	2.87	2.88	3.04	3.04	3.04	3.19	3.19	3.20	3.20	3.21	
122	TC	17266	17289	17309	17332	18261	18304	18347	18390	20431	20481	20531	22698	22751	22796	22846	22897		
	S/T	0.59	0.67	0.78	0.89	0.62	0.71	0.83	0.95	0.66	0.75	0.88	1.00	1.00	1.00	1.00	1.00		
	PI	2.30	2.31	2.31	2.31	2.44	2.44	2.45	2.45	2.59	2.59	2.59	2.74	2.74	2.75	2.75	2.75		

PERFORMANCE DUCTED 30K (Sheet 4 of 4)

AIRFLOW (CFM)	OUTDOOR DB°F	ID WB(°F)	60.8				64.4				66.2				71.6			
		ID DB°F	73.4	77.0	80.6	84.2	73.4	77.0	80.6	84.2	73.4	77.0	80.6	84.2	73.4	77.0	80.6	84.2
				TC	39979	40032	40077	40131	42381	42432	42482	42532	44914	44972	45031	47560	47622	47673
Turbo	-22	S/T	0.48	0.55	0.64	0.73	0.51	0.58	0.68	0.77	0.54	0.61	0.72	0.82	0.93	1.00	1.00	1.00
		PI	2.69	2.69	2.69	2.70	2.85	2.85	2.85	2.86	3.02	3.02	3.03	3.20	3.20	3.20	3.21	3.21
		TC	38096	38147	38190	38241	40385	40433	40481	40529	42799	42854	42910	45320	45379	45428	45485	45541
	-10	S/T	0.48	0.55	0.64	0.73	0.51	0.58	0.68	0.78	0.54	0.62	0.72	0.82	0.94	1.00	1.00	1.00
		PI	2.90	2.91	2.91	2.92	3.08	3.08	3.09	3.09	3.26	3.27	3.27	3.46	3.46	3.46	3.47	3.47
		TC	36527	36576	36617	36666	38722	38768	38814	38860	41036	41089	41143	43453	43510	43557	43611	43665
	0	S/T	0.48	0.55	0.65	0.74	0.51	0.59	0.69	0.78	0.54	0.62	0.73	0.83	0.94	1.00	1.00	1.00
		PI	3.09	3.09	3.09	3.10	3.27	3.28	3.28	3.28	3.47	3.47	3.48	3.67	3.68	3.68	3.69	3.69
		TC	35742	35790	35830	35879	37890	37935	37980	38025	40154	40207	40259	42520	42575	42621	42674	42728
	5	S/T	0.49	0.55	0.65	0.74	0.52	0.59	0.69	0.78	0.55	0.62	0.73	0.83	0.95	1.00	1.00	1.00
		PI	3.18	3.18	3.19	3.19	3.37	3.37	3.38	3.38	3.57	3.58	3.58	3.78	3.79	3.79	3.79	3.80
		TC	34330	34376	34415	34461	36393	36436	36479	36523	38568	38618	38668	40840	40893	40937	40988	41039
	14	S/T	0.49	0.56	0.65	0.74	0.52	0.59	0.69	0.79	0.55	0.63	0.73	0.83	0.95	1.00	1.00	1.00
		PI	3.34	3.35	3.35	3.35	3.54	3.55	3.55	3.56	3.75	3.76	3.76	3.98	3.98	3.99	3.99	4.00
		TC	35745	35793	35833	35882	37894	37938	37983	38028	40158	40210	40262	42523	42579	42625	42678	42731
	23	S/T	0.49	0.56	0.65	0.75	0.52	0.59	0.69	0.79	0.55	0.63	0.74	0.84	0.96	1.00	1.00	1.00
		PI	3.15	3.15	3.16	3.16	3.34	3.34	3.34	3.35	3.54	3.54	3.55	3.74	3.75	3.75	3.76	3.76
		TC	38574	38626	38669	38721	40892	40941	40989	41038	43336	43392	43449	45889	45949	45999	46056	46113
	32	S/T	0.49	0.56	0.66	0.75	0.52	0.60	0.70	0.80	0.55	0.63	0.74	0.84	0.96	1.00	1.00	1.00
		PI	2.77	2.78	2.78	2.78	2.94	2.94	2.95	2.95	3.12	3.12	3.12	3.30	3.30	3.31	3.31	3.32
		TC	37518	37569	37611	37662	39773	39820	39868	39915	42150	42205	42260	44633	44691	44740	44795	44851
	41	S/T	0.50	0.57	0.66	0.75	0.53	0.60	0.70	0.80	0.56	0.64	0.74	0.85	0.97	1.00	1.00	1.00
		PI	2.57	2.57	2.58	2.58	2.73	2.73	2.73	2.74	2.89	2.89	2.90	3.06	3.06	3.07	3.07	3.07
		TC	35630	35678	35718	35766	37772	37816	37861	37906	40029	40081	40133	42387	42442	42488	42541	42594
50	S/T	0.50	0.57	0.66	0.76	0.53	0.60	0.70	0.80	0.56	0.64	0.75	0.85	0.97	1.00	1.00	1.00	
	PI	2.57	2.57	2.58	2.58	2.72	2.73	2.73	2.73	2.89	2.89	2.89	3.06	3.06	3.06	3.07	3.07	
	TC	35962	36010	36051	36099	38123	38169	38214	38259	40402	40454	40507	42782	42837	42884	42937	42991	
59	S/T	0.50	0.57	0.67	0.76	0.53	0.61	0.71	0.81	0.56	0.64	0.75	0.86	0.98	1.00	1.00	1.00	
	PI	2.80	2.80	2.80	2.81	2.96	2.97	2.97	2.97	3.14	3.15	3.15	3.33	3.33	3.33	3.34	3.34	
	TC	36294	36343	36383	36432	38475	38521	38566	38612	40774	40827	40880	43176	43232	43279	43333	43387	
68	S/T	0.50	0.57	0.67	0.77	0.53	0.61	0.71	0.81	0.57	0.64	0.75	0.86	0.98	1.00	1.00	1.00	
	PI	3.02	3.03	3.03	3.04	3.21	3.21	3.22	3.22	3.40	3.40	3.41	3.60	3.60	3.61	3.61	3.61	
	TC	36626	36675	36716	36765	38827	38873	38919	38965	41147	41200	41254	43571	43628	43675	43729	43784	
77	S/T	0.52	0.59	0.69	0.79	0.55	0.62	0.73	0.83	0.58	0.66	0.77	0.88	1.00	1.00	1.00	1.00	
	PI	3.25	3.26	3.26	3.26	3.45	3.45	3.45	3.46	3.65	3.66	3.66	3.87	3.87	3.88	3.88	3.89	
	TC	34656	34702	34741	34788	36739	36782	36826	36869	38934	38985	39035	41227	41281	41326	41377	41429	
86	S/T	0.52	0.60	0.70	0.80	0.56	0.63	0.74	0.84	0.59	0.67	0.78	0.89	1.00	1.00	1.00	1.00	
	PI	3.51	3.52	3.52	3.53	3.72	3.73	3.73	3.74	3.95	3.95	3.96	4.18	4.18	4.19	4.19	4.20	
	TC	34456	34503	34541	34588	36527	36570	36614	36657	38710	38760	38811	40990	41044	41088	41139	41191	
95	S/T	0.54	0.61	0.72	0.82	0.57	0.65	0.76	0.87	0.60	0.69	0.80	0.92	1.00	1.00	1.00	1.00	
	PI	3.75	3.75	3.76	3.76	3.97	3.98	3.98	3.99	4.21	4.22	4.22	4.46	4.46	4.47	4.47	4.48	
	TC	27921	27958	27990	28028	29599	29634	29669	29704	31368	31409	31449	33216	33259	33295	33336	33378	
104	S/T	0.56	0.64	0.75	0.86	0.60	0.68	0.80	0.91	0.63	0.72	0.84	0.96	1.00	1.00	1.00	1.00	
	PI	3.19	3.20	3.20	3.20	3.38	3.39	3.39	3.40	3.59	3.59	3.60	3.80	3.80	3.81	3.81	3.82	
	TC	22625	22656	22681	22712	23985	24013	24042	24070	25418	25451	25484	26916	26951	26980	27013	27047	
115	S/T	0.57	0.65	0.76	0.87	0.60	0.69	0.81	0.92	0.64	0.73	0.85	0.97	1.00	1.00	1.00	1.00	
	PI	2.72	2.72	2.73	2.73	2.88	2.89	2.89	2.89	3.05	3.06	3.06	3.23	3.24	3.24	3.25	3.25	
	TC	18334	18358	18379	18404	19436	19459	19482	19505	20597	20624	20651	21810	21839	21863	21890	21917	
122	S/T	0.59	0.67	0.79	0.90	0.63	0.71	0.84	0.95	0.66	0.75	0.89	1.00	1.00	1.00	1.00	1.00	
	PI	2.32	2.32	2.32	2.32	2.46	2.46	2.46	2.46	2.60	2.61	2.61	2.76	2.76	2.76	2.77	2.77	

NOTE: Data highlighted in gray is extrapolated data and not actual test data. At 77°F outdoor conditions sweat protection activates causing a decrease in total capacity.

LEGEND

- TC - Total Net Capacity (Btu/hour)
- S/T: Sensible Cooling Capacity Ratio
- PI: Power Input (kW)
- Extrapolated Data

COOLING PERFORMANCE DUCTED

COOLING PERFORMANCE 36K

PERFORMANCE DUCTED 36K (Sheet 1 of 4)

AIRFLOW (CFM)	OUTDOOR DB°F	ID WB(°F)	60.8				64.4				66.2				71.6			
		ID DB°F	73.4	77.0	80.6	84.2	73.4	77.0	80.6	84.2	73.4	77.0	80.6	84.20	73.4	77.0	80.6	84.2
		TC	S/T	PI	TC	S/T	PI	TC	S/T	PI	TC	S/T	PI	TC	S/T	PI	TC	S/T
Low	-22	TC	14595	14615	14631	14651	15472	15491	15509	15527	16397	16418	16440	17355	17378	17397	17418	17440
		S/T	0.21	0.23	0.27	0.31	0.22	0.25	0.29	0.33	0.23	0.26	0.31	0.35	0.40	0.46	0.52	0.59
		PI	1.70	1.70	1.70	1.71	1.80	1.80	1.81	1.81	1.91	1.91	1.91	2.02	2.02	2.03	2.03	2.03
	-10	TC	14862	14882	14899	14919	15756	15774	15793	15812	16697	16719	16741	17657	17679	17698	17719	17741
		S/T	0.21	0.24	0.28	0.31	0.22	0.25	0.29	0.33	0.23	0.27	0.31	0.35	0.40	0.46	0.52	0.60
		PI	1.59	1.59	1.60	1.60	1.69	1.69	1.69	1.69	1.79	1.79	1.79	1.89	1.90	1.90	1.90	1.90
	0	TC	15085	15105	15122	15143	15992	16011	16030	16049	16947	16969	16992	17907	17930	17949	17970	17992
		S/T	0.21	0.24	0.28	0.32	0.22	0.25	0.29	0.34	0.23	0.27	0.31	0.36	0.41	0.46	0.53	0.60
		PI	1.50	1.50	1.51	1.51	1.59	1.59	1.60	1.60	1.69	1.69	1.69	1.79	1.79	1.79	1.79	1.80
	5	TC	15197	15217	15234	15255	16110	16129	16148	16167	17073	17095	17117	18033	18055	18074	18096	18117
		S/T	0.21	0.24	0.28	0.32	0.22	0.25	0.30	0.34	0.23	0.27	0.31	0.36	0.41	0.46	0.53	0.60
		PI	1.46	1.46	1.46	1.46	1.54	1.55	1.55	1.55	1.64	1.64	1.64	1.73	1.74	1.74	1.74	1.74
	14	TC	15397	15418	15435	15456	16322	16342	16361	16381	17298	17320	17343	18259	18281	18300	18321	18343
		S/T	0.21	0.24	0.28	0.32	0.22	0.25	0.30	0.34	0.24	0.27	0.31	0.36	0.41	0.47	0.53	0.61
		PI	1.38	1.38	1.38	1.38	1.46	1.46	1.46	1.46	1.55	1.55	1.55	1.64	1.64	1.64	1.64	1.64
	23	TC	15254	15274	15291	15312	16171	16190	16209	16228	17137	17159	17181	18097	18120	18139	18160	18182
		S/T	0.21	0.24	0.28	0.32	0.22	0.25	0.30	0.34	0.24	0.27	0.32	0.36	0.41	0.47	0.53	0.61
		PI	1.29	1.29	1.29	1.29	1.36	1.37	1.37	1.37	1.45	1.45	1.45	1.53	1.53	1.53	1.54	1.54
	32	TC	14939	14959	14976	14996	15836	15855	15874	15893	16783	16805	16826	17742	17765	17784	17805	17827
		S/T	0.21	0.24	0.28	0.32	0.22	0.26	0.30	0.34	0.24	0.27	0.32	0.36	0.41	0.47	0.54	0.61
		PI	1.19	1.20	1.20	1.20	1.27	1.27	1.27	1.27	1.34	1.34	1.34	1.42	1.42	1.42	1.43	1.43
	41	TC	15277	15297	15315	15335	16195	16214	16233	16253	17163	17185	17207	18123	18146	18165	18186	18208
		S/T	0.21	0.24	0.28	0.32	0.23	0.26	0.30	0.34	0.24	0.27	0.32	0.36	0.41	0.47	0.54	0.61
		PI	1.17	1.17	1.18	1.18	1.24	1.24	1.25	1.25	1.32	1.32	1.32	1.39	1.40	1.40	1.40	1.40
	50	TC	15790	15811	15829	15850	16739	16759	16778	16798	17739	17762	17785	18701	18723	18742	18764	18785
		S/T	0.21	0.24	0.29	0.33	0.23	0.26	0.30	0.35	0.24	0.27	0.32	0.37	0.42	0.48	0.54	0.62
		PI	1.21	1.21	1.21	1.21	1.28	1.28	1.28	1.28	1.35	1.36	1.36	1.43	1.44	1.44	1.44	1.44
	59	TC	15998	16020	16038	16059	16960	16980	17000	17020	17973	17997	18020	18936	18958	18977	18999	19020
		S/T	0.22	0.25	0.29	0.33	0.23	0.26	0.30	0.35	0.24	0.28	0.32	0.37	0.42	0.48	0.54	0.62
		PI	1.28	1.28	1.28	1.28	1.35	1.35	1.36	1.36	1.43	1.43	1.44	1.52	1.52	1.52	1.52	1.52
	68	TC	16207	16229	16247	16269	17181	17201	17222	17242	18208	18231	18255	19171	19193	19212	19234	19255
		S/T	0.22	0.25	0.29	0.33	0.23	0.26	0.31	0.35	0.24	0.28	0.32	0.37	0.42	0.48	0.55	0.62
		PI	1.35	1.35	1.35	1.35	1.43	1.43	1.43	1.43	1.51	1.51	1.52	1.60	1.60	1.60	1.61	1.61
	77	TC	16416	16438	16456	16478	17402	17423	17443	17464	18442	18466	18490	19406	19428	19447	19469	19490
		S/T	0.22	0.25	0.30	0.34	0.24	0.27	0.31	0.36	0.25	0.28	0.33	0.38	0.43	0.49	0.56	0.64
		PI	1.42	1.42	1.42	1.42	1.50	1.50	1.50	1.51	1.59	1.59	1.59	1.68	1.69	1.69	1.69	1.69
	86	TC	14712	14732	14748	14768	15596	15615	15633	15652	16528	16550	16571	17487	17509	17528	17550	17571
		S/T	0.22	0.26	0.30	0.34	0.24	0.27	0.32	0.36	0.25	0.29	0.34	0.38	0.44	0.50	0.57	0.65
		PI	1.55	1.55	1.55	1.55	1.64	1.64	1.65	1.65	1.74	1.74	1.74	1.84	1.84	1.85	1.85	1.85
	95	TC	14479	14499	14515	14535	15349	15368	15386	15404	16267	16288	16309	17225	17247	17266	17288	17309
		S/T	0.23	0.26	0.31	0.35	0.24	0.28	0.33	0.37	0.26	0.30	0.35	0.39	0.45	0.51	0.58	0.67
		PI	1.63	1.64	1.64	1.64	1.73	1.73	1.74	1.74	1.83	1.84	1.84	1.94	1.95	1.95	1.95	1.95
	104	TC	12516	12533	12547	12564	13269	13284	13300	13316	14061	14080	14098	15014	15036	15055	15077	15098
		S/T	0.24	0.28	0.32	0.37	0.26	0.29	0.34	0.39	0.27	0.31	0.36	0.41	0.47	0.54	0.61	0.70
		PI	1.42	1.42	1.42	1.43	1.51	1.51	1.51	1.51	1.60	1.60	1.60	1.70	1.71	1.71	1.71	1.71
	115	TC	10819	10834	10846	10861	11470	11483	11497	11511	12155	12171	12187	13103	13125	13144	13165	13187
		S/T	0.25	0.28	0.33	0.37	0.26	0.30	0.35	0.39	0.28	0.31	0.37	0.42	0.48	0.54	0.62	0.71
		PI	1.24	1.24	1.24	1.24	1.31	1.31	1.31	1.32	1.39	1.39	1.39	1.47	1.47	1.47	1.47	1.47
	122	TC	9353	9365	9376	9388	9915	9927	9938	9950	10507	10521	10535	11928	11962	11991	12023	12056
		S/T	0.25	0.29	0.34	0.39	0.27	0.31	0.36	0.41	0.29	0.33	0.38	0.43	0.49	0.56	0.64	0.73
		PI	1.08	1.08	1.08	1.08	1.14	1.14	1.14	1.14	1.21	1.21	1.21	1.28	1.28	1.28	1.28	1.29

PERFORMANCE DUCTED 36K (Sheet 2 of 4)

AIRFLOW (CFM)	OUTDOOR DB°F	ID WB(°F)	60.8				64.4				66.2				71.6			
		ID DB°F	73.4	77.0	80.6	84.2	73.4	77.0	80.6	84.2	73.4	77.0	80.6	84.20	73.4	77.0	80.6	84.2
		TC	S/T	PI	TC	S/T	PI	TC	S/T	PI	TC	S/T	PI	TC	S/T	PI	TC	S/T
Med	-22	TC	23710	23742	23769	23801	25136	25165	25195	25225	26625	26659	26694	28181	28217	28248	28283	28318
		S/T	0.31	0.36	0.42	0.48	0.33	0.38	0.44	0.50	0.35	0.40	0.47	0.53	0.61	0.69	0.79	0.90
		PI	2.57	2.58	2.58	2.58	2.73	2.73	2.73	2.74	2.89	2.89	2.90	3.06	3.06	3.07	3.07	3.08
	-10	TC	24170	24203	24230	24263	25625	25654	25684	25713	27114	27148	27183	28670	28706	28737	28772	28807
		S/T	0.32	0.36	0.42	0.48	0.33	0.38	0.45	0.51	0.35	0.40	0.47	0.54	0.61	0.70	0.80	0.91
		PI	2.41	2.41	2.42	2.42	2.55	2.56	2.56	2.56	2.71	2.71	2.71	2.87	2.87	2.87	2.88	2.88
	0	TC	24554	24587	24614	24648	26032	26062	26091	26121	27522	27556	27590	29077	29114	29144	29179	29214
		S/T	0.32	0.36	0.42	0.48	0.34	0.38	0.45	0.51	0.36	0.41	0.47	0.54	0.62	0.70	0.80	0.91
		PI	2.27	2.28	2.28	2.28	2.41	2.41	2.42	2.42	2.55	2.56	2.56	2.70	2.71	2.71	2.71	2.72
	5	TC	24745	24779	24807	24840	26236	26265	26295	26325	27725	27760	27794	29281	29318	29348	29383	29418
		S/T	0.32	0.36	0.42	0.48	0.34	0.38	0.45	0.51	0.36	0.41	0.48	0.54	0.62	0.71	0.80	0.92
		PI	2.21	2.21	2.21	2.21	2.34	2.34	2.34	2.35	2.48	2.48	2.48	2.62	2.63	2.63	2.63	2.64
	14	TC	25091	25124	25152	25186	26603	26632	26662	26691	28092	28126	28161	29648	29684	29715	29750	29785
		S/T	0.32	0.36	0.43	0.49	0.34	0.39	0.45	0.51	0.36	0.41	0.48	0.55	0.62	0.71	0.81	0.92
		PI	2.08	2.09	2.09	2.09	2.21	2.21	2.21	2.22	2.34	2.34	2.35	2.48	2.48	2.48	2.49	2.49
	23	TC	24844	24877	24905	24939	26341	26370	26400	26429	27830	27864	27899	29386	29422	29453	29488	29522
		S/T	0.32	0.37	0.43	0.49	0.34	0.39	0.45	0.52	0.36	0.41	0.48	0.55	0.62	0.71	0.81	0.93
		PI	1.95	1.95	1.95	1.96	2.06	2.07	2.07	2.07	2.19	2.19	2.19	2.32	2.32	2.32	2.33	2.33
	32	TC	24302	24334	24362	24394	25764	25794	25823	25853	27254	27288	27322	28809	28846	28876	28911	28946
		S/T	0.32	0.37	0.43	0.49	0.34	0.39	0.46	0.52	0.36	0.41	0.48	0.55	0.63	0.72	0.82	0.93
		PI	1.81	1.81	1.81	1.81	1.92	1.92	1.92	1.92	2.03	2.03	2.04	2.15	2.15	2.15	2.16	2.16
	41	TC	24884	24917	24945	24979	26383	26412	26442	26472	27872	27906	27941	29428	29464	29495	29530	29565
		S/T	0.32	0.37	0.43	0.49	0.34	0.39	0.46	0.52	0.36	0.42	0.49	0.55	0.63	0.72	0.82	0.94
		PI	1.77	1.78	1.78	1.78	1.88	1.88	1.89	1.89	1.99	2.00	2.00	2.11	2.11	2.12	2.12	2.12
	50	TC	25766	25801	25830	25865	27321	27350	27380	27409	28810	28844	28879	30366	30402	30433	30468	30503
		S/T	0.33	0.37	0.43	0.50	0.35	0.39	0.46	0.52	0.37	0.42	0.49	0.56	0.63	0.72	0.82	0.94
		PI	1.83	1.83	1.83	1.83	1.93	1.94	1.94	1.94	2.05	2.05	2.06	2.17	2.17	2.18	2.18	2.18
	59	TC	26125	26161	26190	26225	27702	27732	27761	27791	29192	29226	29260	30748	30784	30814	30849	30884
		S/T	0.33	0.37	0.44	0.50	0.35	0.40	0.46	0.53	0.37	0.42	0.49	0.56	0.64	0.73	0.83	0.94
		PI	1.93	1.93	1.94	1.94	2.05	2.05	2.05	2.05	2.17	2.17	2.17	2.30	2.30	2.30	2.31	2.31
	68	TC	26485	26520	26550	26586	28084	28113	28143	28173	29573	29608	29642	31129	31166	31196	31231	31266
		S/T	0.33	0.38	0.44	0.50	0.35	0.40	0.47	0.53	0.37	0.42	0.49	0.56	0.64	0.73	0.83	0.95
		PI	2.04	2.04	2.04	2.04	2.16	2.16	2.16	2.17	2.29	2.29	2.29	2.42	2.43	2.43	2.43	2.43
	77	TC	26844	26880	26910	26946	28465	28495	28525	28554	29955	29989	30024	31511	31547	31578	31612	31647
		S/T	0.34	0.39	0.45	0.51	0.36	0.41	0.48	0.54	0.38	0.43	0.51	0.58	0.66	0.75	0.85	0.97
		PI	2.14	2.15	2.15	2.15	2.27	2.27	2.28	2.28	2.41	2.41	2.41	2.55	2.55	2.55	2.56	2.56
	86	TC	23911	23943	23970	24003	25349	25379	25409	25438	26839	26873	26908	28395	28431	28462	28496	28531
		S/T	0.34	0.39	0.46	0.52	0.36	0.41	0.48	0.55	0.38	0.44	0.51	0.58	0.67	0.76	0.87	0.99
		PI	2.34	2.35	2.35	2.35	2.48	2.49	2.49	2.49	2.63	2.64	2.64	2.79	2.79	2.80	2.80	2.80
	95	TC	23511	23542	23569	23601	24924	24953	24983	25013	26413	26448	26482	27969	28006	28036	28071	28106
		S/T	0.35	0.40	0.47	0.53	0.37	0.42	0.50	0.57	0.39	0.45	0.53	0.60	0.68	0.78	0.89	1.00
		PI	2.47	2.48	2.48	2.48	2.62	2.62	2.63	2.63	2.78	2.78	2.78	2.94	2.94	2.95	2.95	2.96
	104	TC	20132	20159	20182	20209	21334	21363	21393	21422	22823	22857	22892	24379	24415	24446	24481	24516
		S/T	0.37	0.42	0.49	0.56	0.39	0.45	0.52	0.59	0.41	0.47	0.55	0.63	0.72	0.82	0.93	1.00
		PI	2.15	2.15	2.16	2.16	2.28	2.28	2.29	2.29	2.42	2.42	2.42	2.58	2.58	2.59	2.59	2.59
	115	TC	17212	17235	17254	17277	18230	18260	18289	18319	19720	19754	19788	21276	21312	21342	21377	21412
		S/T	0.37	0.43	0.50	0.57	0.40	0.45	0.53	0.60	0.42	0.48	0.56	0.64	0.73	0.83	0.94	1.00
		PI	1.87	1.87	1.88	1.88	1.98	1.99	1.99	1.99	2.10	2.11	2.11	2.22	2.22	2.23	2.23	2.23
	122	TC	13952	13970	13986	14005	14735	14780	14825	14870	17001	17053	17106	19368	19424	19470	19523	19576
		S/T	0.39	0.44	0.51	0.59	0.41	0.47	0.55	0.62	0.43	0.49	0.58	0.66	0.75	0.86	0.98	1.00
		PI	1.63	1.63	1.63	1.64	1.73	1.73	1.73	1.73	1.83	1.83	1.84	1.94	1.94	1.94	1.95	1.95

PERFORMANCE DUCTED 36K (Sheet 3 of 4)

AIRFLOW (CFM)	OUTDOOR DB°F	ID WB(°F)	60.8				64.4				66.2				71.6				
		ID DB°F	73.4	77.0	80.6	84.2	73.4	77.0	80.6	84.2	73.4	77.0	80.6	84.20	73.4	77.0	80.6	84.2	
High	-22	TC	36072	36121	36161	36210	38241	38286	38331	38376	40507	40559	40611	42874	42929	42976	43029	43082	
		S/T	0.48	0.54	0.63	0.72	0.50	0.58	0.67	0.77	0.53	0.61	0.71	0.81	0.93	1.00	1.00	1.00	1.00
		PI	3.91	3.92	3.92	3.93	4.15	4.15	4.16	4.16	4.40	4.40	4.41	4.66	4.66	4.67	4.67	4.67	4.68
	-10	TC	36772	36822	36863	36913	38985	39030	39075	39120	41251	41303	41355	43618	43673	43719	43772	43826	
		S/T	0.48	0.55	0.64	0.73	0.51	0.58	0.68	0.77	0.54	0.61	0.72	0.82	0.93	1.00	1.00	1.00	1.00
		PI	3.67	3.67	3.67	3.68	3.89	3.89	3.90	3.90	4.12	4.12	4.13	4.36	4.37	4.37	4.38	4.38	4.38
	0	TC	37355	37406	37448	37498	39605	39649	39694	39740	41870	41923	41975	44238	44293	44339	44392	44446	
		S/T	0.48	0.55	0.64	0.73	0.51	0.58	0.68	0.78	0.54	0.62	0.72	0.82	0.94	1.00	1.00	1.00	1.00
		PI	3.46	3.46	3.47	3.47	3.67	3.67	3.68	3.68	3.89	3.89	3.90	4.11	4.12	4.12	4.13	4.13	4.13
	5	TC	37647	37698	37740	37791	39915	39959	40004	40050	42180	42233	42285	44548	44603	44649	44702	44755	
		S/T	0.48	0.55	0.64	0.73	0.51	0.58	0.68	0.78	0.54	0.62	0.72	0.83	0.94	1.00	1.00	1.00	1.00
		PI	3.36	3.36	3.36	3.37	3.56	3.56	3.57	3.57	3.77	3.77	3.78	3.99	4.00	4.00	4.01	4.01	4.01
	14	TC	38172	38223	38266	38318	40472	40517	40562	40607	42738	42790	42843	45105	45161	45207	45260	45313	
		S/T	0.49	0.55	0.65	0.74	0.51	0.59	0.69	0.78	0.55	0.62	0.73	0.83	0.95	1.00	1.00	1.00	1.00
		PI	3.17	3.17	3.18	3.18	3.36	3.36	3.37	3.37	3.56	3.56	3.57	3.77	3.77	3.78	3.78	3.78	3.79
	23	TC	37797	37848	37890	37941	40074	40119	40164	40209	42340	42392	42444	44707	44762	44808	44861	44915	
		S/T	0.49	0.56	0.65	0.74	0.52	0.59	0.69	0.79	0.55	0.63	0.73	0.83	0.95	1.00	1.00	1.00	1.00
		PI	2.96	2.97	2.97	2.97	3.14	3.15	3.15	3.15	3.33	3.33	3.34	3.53	3.53	3.53	3.54	3.54	3.54
	32	TC	36972	37021	37063	37113	39197	39242	39287	39332	41463	41515	41567	43830	43885	43932	43985	44038	
		S/T	0.49	0.56	0.65	0.75	0.52	0.59	0.69	0.79	0.55	0.63	0.74	0.84	0.96	1.00	1.00	1.00	1.00
		PI	2.75	2.75	2.76	2.76	2.91	2.92	2.92	2.92	3.09	3.09	3.10	3.27	3.27	3.28	3.28	3.28	3.29
	41	TC	37857	37908	37951	38002	40138	40183	40228	40273	42404	42456	42508	44771	44826	44873	44926	44979	
		S/T	0.49	0.56	0.66	0.75	0.52	0.60	0.70	0.79	0.55	0.63	0.74	0.84	0.96	1.00	1.00	1.00	1.00
		PI	2.70	2.70	2.71	2.71	2.86	2.87	2.87	2.87	3.03	3.04	3.04	3.21	3.22	3.22	3.22	3.22	3.23
	50	TC	39200	39253	39297	39350	41565	41610	41655	41700	43831	43883	43935	46198	46253	46300	46353	46406	
		S/T	0.50	0.57	0.66	0.75	0.53	0.60	0.70	0.80	0.56	0.63	0.74	0.85	0.96	1.00	1.00	1.00	1.00
		PI	2.78	2.78	2.78	2.79	2.94	2.95	2.95	2.95	3.12	3.12	3.13	3.30	3.31	3.31	3.31	3.32	3.32
	59	TC	39747	39800	39845	39898	42145	42190	42235	42280	44411	44464	44516	46778	46834	46880	46933	46986	
		S/T	0.50	0.57	0.66	0.76	0.53	0.60	0.70	0.80	0.56	0.64	0.75	0.85	0.97	1.00	1.00	1.00	1.00
		PI	2.94	2.94	2.94	2.95	3.11	3.12	3.12	3.13	3.30	3.30	3.31	3.49	3.50	3.50	3.51	3.51	3.51
	68	TC	40293	40347	40392	40447	42726	42771	42816	42861	44992	45044	45096	47359	47414	47461	47514	47567	
		S/T	0.50	0.57	0.67	0.76	0.53	0.60	0.71	0.81	0.56	0.64	0.75	0.86	0.97	1.00	1.00	1.00	1.00
		PI	3.10	3.10	3.11	3.11	3.28	3.29	3.29	3.30	3.48	3.49	3.49	3.69	3.69	3.69	3.69	3.70	3.70
	77	TC	40839	40894	40940	40995	43307	43351	43396	43442	45572	45625	45677	47940	47995	48041	48094	48147	
		S/T	0.51	0.59	0.69	0.78	0.54	0.62	0.73	0.83	0.58	0.66	0.77	0.88	1.00	1.00	1.00	1.00	1.00
		PI	3.26	3.26	3.27	3.27	3.46	3.46	3.46	3.47	3.66	3.67	3.67	3.88	3.88	3.89	3.89	3.89	3.90
	86	TC	36378	36427	36468	36517	38566	38611	38656	38701	40832	40884	40936	43199	43254	43301	43354	43407	
		S/T	0.52	0.59	0.69	0.79	0.55	0.63	0.74	0.84	0.59	0.67	0.78	0.89	1.00	1.00	1.00	1.00	1.00
		PI	3.57	3.57	3.57	3.58	3.78	3.78	3.79	3.79	4.01	4.01	4.02	4.24	4.25	4.25	4.26	4.26	4.26
	95	TC	35769	35817	35857	35905	37918	37963	38008	38054	40184	40237	40289	42552	42607	42653	42706	42759	
		S/T	0.53	0.61	0.71	0.81	0.57	0.65	0.75	0.86	0.60	0.68	0.80	0.91	0.64	0.74	0.85	0.97	1.00
		PI	3.76	3.77	3.77	3.78	3.99	3.99	4.00	4.00	4.23	4.23	4.24	4.47	4.48	4.48	4.49	4.49	4.50
	104	TC	30629	30670	30704	30746	32457	32501	32546	32592	34722	34775	34827	37090	37145	37191	37244	37297	
		S/T	0.56	0.64	0.75	0.85	0.59	0.68	0.79	0.90	0.63	0.72	0.84	0.96	1.00	1.00	1.00	1.00	1.00
		PI	3.27	3.28	3.28	3.29	3.47	3.47	3.48	3.48	3.68	3.68	3.69	3.92	3.93	3.93	3.94	3.95	3.95
	115	TC	26185	26221	26250	26285	27735	27780	27825	27870	30001	30053	30106	32368	32423	32470	32523	32576	
		S/T	0.57	0.65	0.76	0.86	0.60	0.69	0.80	0.91	0.64	0.73	0.85	0.97	1.00	1.00	1.00	1.00	1.00
		PI	2.85	2.85	2.86	2.86	3.02	3.02	3.03	3.03	3.20	3.20	3.21	3.37	3.38	3.39	3.39	3.40	3.40
122	TC	22344	22375	22400	22430	23654	23699	23744	23789	25920	25972	26024	28287	28342	28388	28441	28495		
	S/T	0.59	0.67	0.78	0.89	0.62	0.71	0.83	0.95	0.66	0.75	0.88	1.00	1.00	1.00	1.00	1.00	1.00	
	PI	2.48	2.48	2.48	2.49	2.63	2.63	2.63	2.64	2.78	2.79	2.79	2.95	2.95	2.96	2.96	2.96	2.96	

PERFORMANCE DUCTED 36K (Sheet 4 of 4)

AIRFLOW (CFM)	OUTDOOR DB°F	ID WB(°F)	60.8				64.4				66.2				71.6			
		ID DB°F	73.4	77.0	80.6	84.2	73.4	77.0	80.6	84.2	73.4	77.0	80.6	84.20	73.4	77.0	80.6	84.2
		Turbo	-22	TC	36265	36313	36354	36403	38444	38490	38535	38581	40742	40794	40847	43141	43198	43245
		S/T	0.48	0.55	0.64	0.73	0.51	0.58	0.68	0.77	0.54	0.61	0.72	0.82	0.93	1.00	1.00	1.00
		PI	3.94	3.94	3.95	3.95	4.17	4.18	4.18	4.19	4.42	4.43	4.43	4.68	4.69	4.69	4.70	4.71
	-10	TC	36929	36978	37020	37070	39148	39195	39241	39288	41488	41542	41596	43932	43989	44037	44091	44146
		S/T	0.48	0.55	0.64	0.73	0.51	0.58	0.68	0.78	0.54	0.62	0.72	0.82	0.94	1.00	1.00	1.00
		PI	3.69	3.69	3.70	3.70	3.91	3.91	3.92	3.92	4.14	4.15	4.15	4.39	4.39	4.40	4.40	4.41
	0	TC	37482	37533	37575	37625	39735	39782	39829	39877	42110	42164	42219	44590	44648	44697	44752	44808
		S/T	0.48	0.55	0.65	0.74	0.51	0.59	0.69	0.78	0.54	0.62	0.73	0.83	0.94	1.00	1.00	1.00
		PI	3.48	3.48	3.49	3.49	3.69	3.69	3.70	3.70	3.91	3.91	3.92	4.14	4.14	4.15	4.15	4.16
	5	TC	37759	37810	37852	37903	40028	40076	40123	40171	42420	42476	42531	44919	44978	45027	45083	45139
		S/T	0.49	0.55	0.65	0.74	0.52	0.59	0.69	0.78	0.55	0.62	0.73	0.83	0.95	1.00	1.00	1.00
		PI	3.37	3.38	3.38	3.39	3.58	3.58	3.59	3.59	3.79	3.80	3.80	4.01	4.02	4.02	4.03	4.03
	14	TC	38257	38309	38352	38403	40557	40605	40653	40701	42980	43036	43092	45512	45571	45621	45677	45734
		S/T	0.49	0.56	0.65	0.74	0.52	0.59	0.69	0.79	0.55	0.63	0.73	0.83	0.95	1.00	1.00	1.00
		PI	3.19	3.19	3.19	3.20	3.38	3.38	3.39	3.39	3.58	3.59	3.59	3.79	3.80	3.80	3.81	3.81
	23	TC	37901	37952	37995	38046	40179	40227	40274	40322	42580	42635	42691	45088	45147	45196	45252	45309
		S/T	0.49	0.56	0.65	0.75	0.52	0.59	0.69	0.79	0.55	0.63	0.74	0.84	0.96	1.00	1.00	1.00
		PI	2.98	2.98	2.99	2.99	3.16	3.16	3.17	3.17	3.35	3.35	3.36	3.55	3.55	3.55	3.56	3.56
	32	TC	37118	37168	37210	37260	39349	39396	39442	39489	41700	41755	41809	44157	44214	44262	44318	44373
		S/T	0.49	0.56	0.66	0.75	0.52	0.60	0.70	0.80	0.55	0.63	0.74	0.84	0.96	1.00	1.00	1.00
		PI	2.77	2.77	2.77	2.78	2.93	2.93	2.94	2.94	3.11	3.11	3.11	3.29	3.29	3.30	3.30	3.31
	41	TC	37959	38010	38052	38104	40240	40288	40335	40383	42645	42700	42756	45157	45215	45265	45321	45377
		S/T	0.50	0.57	0.66	0.75	0.53	0.60	0.70	0.80	0.56	0.64	0.74	0.85	0.97	1.00	1.00	1.00
		PI	2.72	2.72	2.72	2.73	2.88	2.88	2.89	2.89	3.05	3.06	3.06	3.23	3.24	3.24	3.24	3.25
	50	TC	39233	39286	39330	39383	41591	41640	41689	41739	44076	44133	44191	46673	46733	46784	46842	46901
		S/T	0.50	0.57	0.66	0.76	0.53	0.60	0.70	0.80	0.56	0.64	0.75	0.85	0.97	1.00	1.00	1.00
		PI	2.79	2.80	2.80	2.80	2.96	2.96	2.97	2.97	3.14	3.14	3.15	3.32	3.33	3.33	3.33	3.34
	59	TC	39751	39805	39849	39903	42140	42190	42240	42290	44659	44717	44775	47289	47351	47402	47461	47520
		S/T	0.50	0.57	0.67	0.76	0.53	0.61	0.71	0.81	0.56	0.64	0.75	0.86	0.98	1.00	1.00	1.00
		PI	2.95	2.96	2.96	2.97	3.13	3.14	3.14	3.14	3.32	3.32	3.33	3.51	3.52	3.52	3.53	3.53
	68	TC	40270	40324	40369	40423	42690	42741	42791	42842	45241	45300	45359	47906	47968	48020	48080	48140
		S/T	0.50	0.57	0.67	0.77	0.53	0.61	0.71	0.81	0.57	0.64	0.75	0.86	0.98	1.00	1.00	1.00
		PI	3.12	3.12	3.12	3.13	3.30	3.31	3.31	3.32	3.50	3.51	3.51	3.71	3.71	3.72	3.72	3.73
	77	TC	40788	40843	40889	40944	43240	43291	43342	43393	45823	45883	45943	48523	48586	48639	48699	48760
		S/T	0.52	0.59	0.69	0.79	0.55	0.62	0.73	0.83	0.58	0.66	0.77	0.88	1.00	1.00	1.00	1.00
		PI	3.28	3.28	3.29	3.29	3.48	3.48	3.48	3.49	3.68	3.69	3.69	3.90	3.91	3.91	3.91	3.92
	86	TC	36555	36604	36645	36694	38752	38798	38844	38890	41068	41121	41174	43487	43543	43591	43645	43699
		S/T	0.52	0.60	0.70	0.80	0.56	0.63	0.74	0.84	0.59	0.67	0.78	0.89	1.00	1.00	1.00	1.00
		PI	3.59	3.59	3.60	3.60	3.80	3.81	3.81	3.82	4.03	4.03	4.04	4.27	4.27	4.28	4.28	4.29
	95	TC	35977	36025	36065	36114	38139	38184	38229	38275	40418	40471	40523	42799	42855	42901	42955	43008
		S/T	0.54	0.61	0.72	0.82	0.57	0.65	0.76	0.87	0.60	0.69	0.80	0.92	1.00	1.00	1.00	1.00
		PI	3.78	3.79	3.79	3.80	4.01	4.01	4.02	4.02	4.25	4.26	4.26	4.50	4.51	4.51	4.52	4.52
	104	TC	31099	31141	31176	31218	32969	33008	33047	33086	34939	34984	35029	36997	37045	37085	37131	37177
		S/T	0.56	0.64	0.75	0.86	0.60	0.68	0.80	0.91	0.63	0.72	0.84	0.96	1.00	1.00	1.00	1.00
		PI	3.29	3.30	3.30	3.30	3.49	3.49	3.50	3.50	3.70	3.70	3.71	3.92	3.92	3.93	3.93	3.94
	115	TC	26883	26919	26950	26986	28499	28533	28567	28600	30202	30241	30281	31981	32023	32058	32097	32137
		S/T	0.57	0.65	0.76	0.87	0.60	0.69	0.81	0.92	0.64	0.73	0.85	0.97	1.00	1.00	1.00	1.00
		PI	2.86	2.87	2.87	2.88	3.04	3.04	3.04	3.05	3.22	3.22	3.23	3.41	3.41	3.42	3.42	3.42
	122	TC	23239	23270	23296	23327	24635	24665	24694	24723	26108	26141	26175	27645	27681	27712	27746	27781
		S/T	0.59	0.67	0.79	0.90	0.63	0.71	0.84	0.95	0.66	0.75	0.89	1.00	1.00	1.00	1.00	1.00
		PI	2.49	2.50	2.50	2.50	2.64	2.65	2.65	2.65	2.80	2.80	2.81	2.97	2.97	2.97	2.98	2.98

NOTE: Data highlighted in gray is extrapolated data and not actual test data. At 77°F outdoor conditions sweat protection activates causing a decrease in total capacity.

LEGEND

- TC - Total Net Capacity (Btu/hour)
- S/T: Sensible Cooling Capacity Ratio
- PI: Power Input (kW)
- Extrapolated Data

COOLING PERFORMANCE DUCTED

COOLING PERFORMANCE 36K HH

PERFORMANCE DUCTED 36KHH (Sheet 1 of 4)

AIRFLOW (CFM)	OUTDOOR DB °F	ID WB(°F)	60.8				64.4				66.2				71.6			
		ID DB °F	73.4	77.0	80.6	84.2	73.4	77.0	80.6	84.2	73.4	77.0	80.6	84.2	73.4	77.0	80.6	84.2
		TC	S/T	PI	TC	S/T	PI	TC	S/T	PI	TC	S/T	PI	TC	S/T	PI	TC	S/T
Low	-22	TC	16301	16323	16341	16363	17281	17301	17322	17342	18313	18337	18361	19369	19393	19414	19438	19461
		S/T	0.21	0.23	0.27	0.31	0.22	0.25	0.29	0.33	0.23	0.26	0.31	0.35	0.40	0.46	0.52	0.59
		PI	1.21	1.21	1.21	1.21	1.28	1.28	1.28	1.29	1.36	1.36	1.36	1.44	1.44	1.44	1.44	1.44
	-10	TC	15738	15759	15777	15798	16684	16704	16724	16744	17681	17704	17727	18735	18759	18780	18804	18827
		S/T	0.21	0.24	0.28	0.31	0.22	0.25	0.29	0.33	0.23	0.27	0.31	0.35	0.40	0.46	0.52	0.60
		PI	1.20	1.20	1.20	1.20	1.27	1.27	1.27	1.27	1.34	1.35	1.35	1.42	1.42	1.43	1.43	1.43
	0	TC	15269	15290	15307	15328	16187	16206	16225	16245	17154	17176	17199	18206	18231	18252	18275	18299
		S/T	0.21	0.24	0.28	0.32	0.22	0.25	0.29	0.34	0.23	0.27	0.31	0.36	0.41	0.46	0.53	0.60
		PI	1.19	1.19	1.19	1.19	1.26	1.26	1.26	1.26	1.33	1.33	1.33	1.41	1.41	1.41	1.42	1.42
	5	TC	15035	15055	15072	15092	15938	15957	15976	15995	16891	16913	16935	17942	17967	17987	18011	18035
		S/T	0.21	0.24	0.28	0.32	0.22	0.25	0.30	0.34	0.23	0.27	0.31	0.36	0.41	0.46	0.53	0.60
		PI	1.18	1.18	1.18	1.19	1.25	1.25	1.26	1.26	1.33	1.33	1.33	1.41	1.41	1.41	1.41	1.41
	14	TC	14613	14632	14649	14668	15491	15509	15528	15546	16417	16438	16459	17467	17491	17512	17536	17559
		S/T	0.21	0.24	0.28	0.32	0.22	0.25	0.30	0.34	0.24	0.27	0.31	0.36	0.41	0.47	0.53	0.61
		PI	1.17	1.17	1.18	1.18	1.24	1.24	1.25	1.25	1.32	1.32	1.32	1.39	1.40	1.40	1.40	1.40
	23	TC	14657	14677	14693	14713	15538	15556	15575	15593	16466	16488	16509	17517	17541	17562	17586	17609
		S/T	0.21	0.24	0.28	0.32	0.22	0.25	0.30	0.34	0.24	0.27	0.32	0.36	0.41	0.47	0.53	0.61
		PI	1.17	1.17	1.18	1.18	1.24	1.25	1.25	1.25	1.32	1.32	1.32	1.40	1.40	1.40	1.40	1.40
	32	TC	14935	14955	14972	14992	15832	15851	15870	15889	16778	16800	16822	17830	17854	17875	17899	17922
		S/T	0.21	0.24	0.28	0.32	0.22	0.26	0.30	0.34	0.24	0.27	0.32	0.36	0.41	0.47	0.54	0.61
		PI	1.18	1.18	1.18	1.18	1.25	1.25	1.25	1.25	1.33	1.33	1.33	1.40	1.40	1.41	1.41	1.41
	41	TC	14922	14942	14959	14979	15819	15837	15856	15875	16764	16786	16808	17815	17840	17860	17884	17908
		S/T	0.21	0.24	0.28	0.32	0.23	0.26	0.30	0.34	0.24	0.27	0.32	0.36	0.41	0.47	0.54	0.61
		PI	1.18	1.18	1.18	1.18	1.25	1.25	1.25	1.25	1.33	1.33	1.33	1.40	1.41	1.41	1.41	1.41
	50	TC	14944	14964	14981	15001	15842	15861	15880	15899	16789	16811	16832	17840	17865	17885	17909	17933
		S/T	0.21	0.24	0.29	0.33	0.23	0.26	0.30	0.35	0.24	0.27	0.32	0.37	0.42	0.48	0.54	0.62
		PI	1.22	1.22	1.22	1.23	1.29	1.30	1.30	1.30	1.37	1.37	1.38	1.45	1.45	1.46	1.46	1.46
	59	TC	15326	15347	15364	15385	16248	16267	16286	16306	17219	17241	17263	18271	18296	18316	18340	18363
		S/T	0.22	0.25	0.29	0.33	0.23	0.26	0.30	0.35	0.24	0.28	0.32	0.37	0.42	0.48	0.54	0.62
		PI	1.35	1.35	1.35	1.36	1.43	1.43	1.44	1.44	1.52	1.52	1.52	1.61	1.61	1.61	1.61	1.61
	68	TC	15709	15730	15748	15769	16653	16673	16693	16713	17648	17671	17694	18702	18726	18747	18771	18794
		S/T	0.22	0.25	0.29	0.33	0.23	0.26	0.31	0.35	0.24	0.28	0.32	0.37	0.42	0.48	0.55	0.62
		PI	1.48	1.48	1.48	1.49	1.57	1.57	1.57	1.58	1.66	1.67	1.67	1.76	1.76	1.77	1.77	1.77
	77	TC	16092	16113	16131	16153	17059	17079	17099	17120	18078	18102	18125	19133	19157	19178	19202	19225
		S/T	0.22	0.25	0.30	0.34	0.24	0.27	0.31	0.36	0.25	0.28	0.33	0.38	0.43	0.49	0.56	0.64
		PI	1.61	1.61	1.61	1.62	1.71	1.71	1.71	1.71	1.81	1.81	1.81	1.92	1.92	1.92	1.92	1.93
	86	TC	15719	15740	15758	15779	16664	16684	16703	16723	17660	17683	17706	18713	18738	18758	18782	18806
		S/T	0.22	0.26	0.30	0.34	0.24	0.27	0.32	0.36	0.25	0.29	0.34	0.38	0.44	0.50	0.57	0.65
		PI	1.49	1.49	1.49	1.49	1.58	1.58	1.58	1.58	1.67	1.67	1.68	1.77	1.77	1.77	1.78	1.78
	95	TC	15927	15949	15967	15988	16885	16905	16925	16945	17894	17917	17940	18948	18972	18993	19017	19040
		S/T	0.23	0.26	0.31	0.35	0.24	0.28	0.33	0.37	0.26	0.30	0.35	0.39	0.45	0.51	0.58	0.67
		PI	1.56	1.56	1.56	1.56	1.65	1.65	1.66	1.66	1.75	1.75	1.76	1.85	1.86	1.86	1.86	1.86
	104	TC	13180	13198	13213	13231	13972	13989	14005	14022	14807	14826	14846	15853	15878	15899	15922	15946
		S/T	0.24	0.28	0.32	0.37	0.26	0.29	0.34	0.39	0.27	0.31	0.36	0.41	0.47	0.54	0.61	0.70
		PI	1.51	1.51	1.51	1.51	1.60	1.60	1.60	1.60	1.69	1.70	1.70	1.80	1.80	1.80	1.80	1.81
	115	TC	10907	10921	10934	10948	11562	11576	11590	11603	12253	12269	12285	13293	13317	13338	13362	13385
		S/T	0.25	0.28	0.33	0.37	0.26	0.30	0.35	0.39	0.28	0.31	0.37	0.42	0.48	0.54	0.62	0.71
		PI	1.46	1.46	1.46	1.46	1.54	1.55	1.55	1.55	1.64	1.64	1.64	1.74	1.74	1.74	1.74	1.75
122	TC	9026	9038	9048	9060	9568	9579	9591	9602	10140	10153	10166	11699	11736	11768	11804	11840	
	S/T	0.25	0.29	0.34	0.39	0.27	0.31	0.36	0.41	0.29	0.33	0.38	0.43	0.49	0.56	0.64	0.73	
	PI	1.41	1.41	1.41	1.41	1.49	1.49	1.50	1.50	1.58	1.58	1.59	1.68	1.68	1.68	1.68	1.68	

PERFORMANCE DUCTED 36KHH (Sheet 2 of 4)

AIRFLOW (CFM)	OUTDOOR DB °F	ID WB(°F) ID DB °F	60.8				64.4				66.2				71.6			
			73.4	77.0	80.6	84.2	73.4	77.0	80.6	84.2	73.4	77.0	80.6	84.20	73.4	77.0	80.6	84.2
			TC	S/T	PI	TC	S/T	PI	TC	S/T	PI	TC	S/T	PI	TC	S/T	PI	TC
Med	-22	TC	26505	26541	26571	26607	28100	28133	28165	28198	29738	29776	29814	31450	31490	31524	31562	31600
		S/T	0.31	0.36	0.42	0.48	0.33	0.38	0.44	0.50	0.35	0.40	0.47	0.53	0.61	0.69	0.79	0.90
		PI	1.83	1.83	1.83	1.84	1.94	1.94	1.94	1.95	2.05	2.06	2.06	2.18	2.18	2.18	2.18	2.19
	-10	TC	25537	25571	25600	25634	27071	27103	27136	27168	28709	28747	28785	30421	30461	30494	30532	30571
		S/T	0.32	0.36	0.42	0.48	0.33	0.38	0.45	0.51	0.35	0.40	0.47	0.54	0.61	0.70	0.80	0.91
		PI	1.81	1.81	1.82	1.82	1.92	1.92	1.92	1.93	2.03	2.04	2.04	2.15	2.16	2.16	2.16	2.16
	0	TC	24729	24763	24790	24824	26213	26245	26278	26311	27851	27889	27927	29563	29603	29636	29675	29713
		S/T	0.32	0.36	0.42	0.48	0.34	0.38	0.45	0.51	0.36	0.41	0.47	0.54	0.62	0.70	0.80	0.91
		PI	1.80	1.80	1.80	1.80	1.90	1.91	1.91	1.91	2.02	2.02	2.02	2.14	2.14	2.14	2.14	2.15
	5	TC	24326	24359	24386	24419	25784	25816	25849	25882	27422	27460	27498	29134	29174	29207	29246	29284
		S/T	0.32	0.36	0.42	0.48	0.34	0.38	0.45	0.51	0.36	0.41	0.48	0.54	0.62	0.71	0.80	0.92
		PI	1.79	1.79	1.79	1.79	1.90	1.90	1.90	1.90	2.01	2.01	2.01	2.13	2.13	2.13	2.13	2.14
	14	TC	23599	23631	23657	23689	25012	25044	25077	25110	26650	26688	26726	28362	28402	28435	28474	28512
		S/T	0.32	0.36	0.43	0.49	0.34	0.39	0.45	0.51	0.36	0.41	0.48	0.55	0.62	0.71	0.81	0.92
		PI	1.77	1.78	1.78	1.78	1.88	1.88	1.89	1.89	1.99	2.00	2.00	2.11	2.11	2.12	2.12	2.12
	23	TC	23676	23708	23734	23766	25093	25126	25158	25191	26732	26769	26807	28443	28483	28517	28555	28593
		S/T	0.32	0.37	0.43	0.49	0.34	0.39	0.45	0.52	0.36	0.41	0.48	0.55	0.62	0.71	0.81	0.93
		PI	1.78	1.78	1.78	1.78	1.88	1.88	1.89	1.89	2.00	2.00	2.00	2.11	2.12	2.12	2.12	2.12
	32	TC	24154	24186	24213	24246	25601	25634	25666	25699	27240	27277	27315	28951	28991	29025	29063	29101
		S/T	0.32	0.37	0.43	0.49	0.34	0.39	0.46	0.52	0.36	0.41	0.48	0.55	0.63	0.72	0.82	0.93
		PI	1.79	1.79	1.79	1.79	1.89	1.90	1.90	1.90	2.01	2.01	2.01	2.12	2.13	2.13	2.13	2.13
	41	TC	24132	24164	24191	24224	25578	25610	25643	25675	27216	27254	27292	28928	28968	29001	29039	29078
		S/T	0.32	0.37	0.43	0.49	0.34	0.39	0.46	0.52	0.36	0.42	0.49	0.55	0.63	0.72	0.82	0.94
		PI	1.79	1.79	1.79	1.79	1.89	1.90	1.90	1.90	2.01	2.01	2.01	2.12	2.13	2.13	2.13	2.13
	50	TC	24170	24202	24229	24262	25618	25650	25683	25716	27256	27294	27332	28968	29008	29041	29080	29118
		S/T	0.33	0.37	0.43	0.50	0.35	0.39	0.46	0.52	0.37	0.42	0.49	0.56	0.63	0.72	0.82	0.94
		PI	1.85	1.85	1.85	1.86	1.96	1.96	1.96	1.97	2.08	2.08	2.08	2.20	2.20	2.20	2.21	2.21
	59	TC	24828	24861	24889	24923	26318	26350	26383	26415	27956	27994	28032	29668	29708	29741	29779	29818
		S/T	0.33	0.37	0.44	0.50	0.35	0.40	0.46	0.53	0.37	0.42	0.49	0.56	0.64	0.73	0.83	0.94
		PI	2.04	2.05	2.05	2.05	2.17	2.17	2.17	2.18	2.30	2.30	2.30	2.43	2.44	2.44	2.44	2.44
	68	TC	25487	25521	25549	25584	27017	27050	27082	27115	28656	28693	28731	30367	30407	30441	30479	30518
		S/T	0.33	0.38	0.44	0.50	0.35	0.40	0.47	0.53	0.37	0.42	0.49	0.56	0.64	0.73	0.83	0.95
		PI	2.24	2.24	2.25	2.25	2.38	2.38	2.38	2.38	2.52	2.52	2.52	2.67	2.67	2.67	2.68	2.68
	77	TC	26145	26180	26209	26245	27717	27750	27782	27815	29355	29393	29431	31067	31107	31140	31179	31217
		S/T	0.34	0.39	0.45	0.51	0.36	0.41	0.48	0.54	0.38	0.43	0.51	0.58	0.66	0.75	0.85	0.97
		PI	2.44	2.44	2.44	2.45	2.58	2.59	2.59	2.59	2.74	2.74	2.75	2.90	2.90	2.91	2.91	2.91
	86	TC	25504	25538	25567	25601	27036	27068	27101	27133	28674	28712	28750	30386	30426	30459	30497	30536
		S/T	0.34	0.39	0.46	0.52	0.36	0.41	0.48	0.55	0.38	0.44	0.51	0.58	0.67	0.76	0.87	0.99
		PI	2.25	2.25	2.26	2.26	2.39	2.39	2.39	2.40	2.53	2.53	2.54	2.68	2.68	2.69	2.69	2.69
	95	TC	25862	25897	25926	25961	27417	27449	27482	27514	29055	29093	29131	30767	30807	30840	30878	30917
		S/T	0.35	0.40	0.47	0.53	0.37	0.42	0.50	0.57	0.39	0.45	0.53	0.60	0.68	0.78	0.89	1.00
		PI	2.36	2.36	2.37	2.37	2.50	2.50	2.51	2.51	2.65	2.65	2.66	2.81	2.81	2.81	2.82	2.82
	104	TC	21134	21162	21186	21215	22392	22425	22457	22490	24030	24068	24106	25742	25782	25815	25854	25892
		S/T	0.37	0.42	0.49	0.56	0.39	0.45	0.52	0.59	0.41	0.47	0.55	0.63	0.72	0.82	0.93	1.00
		PI	2.28	2.28	2.29	2.29	2.42	2.42	2.42	2.43	2.56	2.57	2.57	2.72	2.72	2.73	2.73	2.73
	115	TC	17221	17244	17263	17287	18234	18267	18299	18332	19873	19910	19948	21584	21624	21658	21696	21734
		S/T	0.37	0.43	0.50	0.57	0.40	0.45	0.53	0.60	0.42	0.48	0.56	0.64	0.73	0.83	0.94	1.00
		PI	2.21	2.21	2.21	2.21	2.34	2.34	2.34	2.35	2.48	2.48	2.48	2.63	2.63	2.64	2.64	2.64
122	TC	13174	13192	13206	13224	13900	13949	13999	14048	16392	16450	16507	18996	19057	19108	19166	19225	
	S/T	0.39	0.44	0.51	0.59	0.41	0.47	0.55	0.62	0.43	0.49	0.58	0.66	0.75	0.86	0.98	1.00	
	PI	2.13	2.14	2.14	2.14	2.26	2.26	2.27	2.27	2.40	2.40	2.40	2.54	2.54	2.54	2.55	2.55	

PERFORMANCE DUCTED 36KHH (Sheet 3 of 4)

AIRFLOW (CFM)	OUTDOOR DB °F	ID WB(°F) ID DB °F	60.8				64.4				66.2				71.6			
			73.4	77.0	80.6	84.2	73.4	77.0	80.6	84.2	73.4	77.0	80.6	84.20	73.4	77.0	80.6	84.2
High	-22	TC	40325	40379	40424	40479	42751	42800	42850	42899	45243	45301	45358	47847	47908	47959	48017	48076
		S/T	0.48	0.54	0.63	0.72	0.50	0.58	0.67	0.77	0.53	0.61	0.71	0.81	0.93	1.00	1.00	1.00
		PI	2.78	2.79	2.79	2.79	2.95	2.95	2.96	2.96	3.13	3.13	3.13	3.31	3.31	3.32	3.32	3.33
	-10	TC	38851	38903	38947	38999	41185	41234	41284	41333	43677	43735	43792	46281	46342	46393	46451	46510
		S/T	0.48	0.55	0.64	0.73	0.51	0.58	0.68	0.77	0.54	0.61	0.72	0.82	0.93	1.00	1.00	1.00
		PI	2.75	2.76	2.76	2.77	2.92	2.92	2.93	2.93	3.09	3.10	3.10	3.28	3.28	3.28	3.29	3.29
	0	TC	37623	37673	37716	37766	39880	39929	39978	40028	42372	42430	42487	44976	45037	45088	45146	45205
		S/T	0.48	0.55	0.64	0.73	0.51	0.58	0.68	0.78	0.54	0.62	0.72	0.82	0.94	1.00	1.00	1.00
		PI	2.73	2.74	2.74	2.74	2.90	2.90	2.90	2.91	3.07	3.07	3.08	3.25	3.25	3.26	3.26	3.27
	5	TC	37009	37058	37100	37150	39227	39276	39326	39376	41720	41777	41835	44323	44384	44435	44494	44552
		S/T	0.48	0.55	0.64	0.73	0.51	0.58	0.68	0.78	0.54	0.62	0.72	0.83	0.94	1.00	1.00	1.00
		PI	2.72	2.72	2.73	2.73	2.88	2.89	2.89	2.89	3.06	3.06	3.06	3.24	3.24	3.24	3.25	3.25
	14	TC	35903	35952	35992	36040	38052	38102	38151	38201	40545	40602	40660	43149	43210	43261	43319	43378
		S/T	0.49	0.55	0.65	0.74	0.51	0.59	0.69	0.78	0.55	0.62	0.73	0.83	0.95	1.00	1.00	1.00
		PI	2.70	2.70	2.71	2.71	2.86	2.87	2.87	2.87	3.03	3.04	3.04	3.21	3.22	3.22	3.22	3.23
	23	TC	36020	36068	36109	36157	38176	38226	38275	38325	40669	40726	40784	43273	43333	43384	43443	43501
		S/T	0.49	0.56	0.65	0.74	0.52	0.59	0.69	0.79	0.55	0.63	0.73	0.83	0.95	1.00	1.00	1.00
		PI	2.70	2.71	2.71	2.71	2.86	2.87	2.87	2.87	3.04	3.04	3.04	3.21	3.22	3.22	3.23	3.23
	32	TC	36747	36796	36838	36887	38949	38998	39048	39097	41441	41499	41556	44045	44106	44157	44216	44274
		S/T	0.49	0.56	0.65	0.75	0.52	0.59	0.69	0.79	0.55	0.63	0.74	0.84	0.96	1.00	1.00	1.00
		PI	2.72	2.72	2.72	2.73	2.88	2.88	2.89	2.89	3.05	3.06	3.06	3.23	3.24	3.24	3.24	3.25
	41	TC	36713	36763	36804	36853	38913	38963	39012	39062	41406	41463	41521	44010	44070	44121	44180	44238
		S/T	0.49	0.56	0.66	0.75	0.52	0.60	0.70	0.79	0.55	0.63	0.74	0.84	0.96	1.00	1.00	1.00
		PI	2.72	2.72	2.72	2.73	2.88	2.88	2.89	2.89	3.05	3.06	3.06	3.23	3.24	3.24	3.24	3.25
	50	TC	36771	36820	36862	36911	38975	39024	39073	39123	41467	41524	41582	44071	44132	44183	44241	44300
		S/T	0.50	0.57	0.66	0.75	0.53	0.60	0.70	0.80	0.56	0.63	0.74	0.85	0.96	1.00	1.00	1.00
		PI	2.81	2.82	2.82	2.82	2.98	2.98	2.99	2.99	3.16	3.16	3.17	3.35	3.35	3.35	3.36	3.36
	59	TC	37773	37823	37866	37917	40039	40088	40138	40188	42532	42589	42646	45135	45196	45247	45306	45364
		S/T	0.50	0.57	0.66	0.76	0.53	0.60	0.70	0.80	0.56	0.64	0.75	0.85	0.97	1.00	1.00	1.00
		PI	3.11	3.12	3.12	3.12	3.30	3.30	3.30	3.31	3.49	3.50	3.50	3.70	3.71	3.71	3.71	3.72
	68	TC	38774	38827	38870	38923	41103	41153	41202	41252	43596	43653	43711	46200	46261	46312	46370	46429
		S/T	0.50	0.57	0.67	0.76	0.53	0.60	0.71	0.81	0.56	0.64	0.75	0.86	0.97	1.00	1.00	1.00
		PI	3.41	3.41	3.42	3.42	3.61	3.62	3.62	3.63	3.83	3.84	3.84	4.06	4.06	4.07	4.07	4.08
	77	TC	39776	39830	39874	39928	42168	42217	42267	42316	44660	44718	44775	47264	47325	47376	47435	47493
		S/T	0.51	0.59	0.69	0.78	0.54	0.62	0.73	0.83	0.58	0.66	0.77	0.88	1.00	1.00	1.00	1.00
		PI	3.71	3.71	3.72	3.72	3.93	3.94	3.94	3.95	4.17	4.17	4.18	4.41	4.42	4.42	4.43	4.43
	86	TC	38801	38853	38896	38949	41131	41181	41230	41280	43624	43681	43739	46228	46289	46340	46398	46456
		S/T	0.52	0.59	0.69	0.79	0.55	0.63	0.74	0.84	0.59	0.67	0.78	0.89	1.00	1.00	1.00	1.00
		PI	3.43	3.43	3.43	3.44	3.63	3.64	3.64	3.64	3.85	3.85	3.86	4.08	4.08	4.08	4.09	4.10
	95	TC	39346	39399	39443	39496	41711	41760	41810	41860	44203	44261	44318	46807	46868	46919	46978	47036
		S/T	0.53	0.61	0.71	0.81	0.57	0.65	0.75	0.86	0.60	0.68	0.80	0.91	0.64	0.74	0.85	0.97
		PI	3.59	3.60	3.60	3.60	3.81	3.81	3.82	3.82	4.03	4.04	4.04	4.27	4.28	4.28	4.29	4.29
	104	TC	32152	32196	32232	32275	34067	34116	34166	34215	36559	36617	36674	39163	39224	39275	39333	39392
		S/T	0.56	0.64	0.75	0.85	0.59	0.68	0.79	0.90	0.63	0.72	0.84	0.96	1.00	1.00	1.00	1.00
		PI	3.47	3.48	3.48	3.48	3.68	3.68	3.69	3.69	3.90	3.90	3.91	4.14	4.14	4.15	4.15	4.16
	115	TC	26199	26235	26264	26299	27741	27790	27840	27890	30234	30291	30348	32837	32898	32949	33008	33066
		S/T	0.57	0.65	0.76	0.86	0.60	0.69	0.80	0.91	0.64	0.73	0.85	0.97	1.00	1.00	1.00	1.00
		PI	3.36	3.36	3.36	3.37	3.56	3.56	3.57	3.57	3.77	3.77	3.78	4.00	4.01	4.01	4.02	4.02
122	TC	21273	21302	21326	21354	22506	22556	22605	22655	24999	25056	25114	27603	27664	27715	27773	27831	
	S/T	0.59	0.67	0.78	0.89	0.62	0.71	0.83	0.95	0.66	0.75	0.88	1.00	1.00	1.00	1.00	1.00	
	PI	3.24	3.25	3.25	3.26	3.44	3.44	3.45	3.45	3.64	3.65	3.65	3.86	3.86	3.87	3.87	3.88	

PERFORMANCE DUCTED 36KHH (Sheet 4 of 4)

AIRFLOW (CFM)	OUTDOOR DB °F	ID WB(°F) ID DB °F	60.8				64.4				66.2				71.6			
			73.4	77.0	80.6	84.2	73.4	77.0	80.6	84.2	73.4	77.0	80.6	84.20	73.4	77.0	80.6	84.2
			TC	40503	40558	40603	40658	42938	42989	43040	43091	45504	45563	45622	48184	48247	48299	48359
S/T	0.48	0.55	0.64	0.73	0.51	0.58	0.68	0.77	0.54	0.61	0.72	0.82	0.93	1.00	1.00	1.00		
PI	2.80	2.80	2.81	2.81	2.97	2.97	2.97	2.98	3.14	3.15	3.15	3.33	3.33	3.34	3.34	3.35		
Turbo	-22	TC	39105	39158	39202	39254	41455	41504	41554	41603	43933	43990	44047	46520	46581	46632	46690	46748
		S/T	0.48	0.55	0.64	0.73	0.51	0.58	0.68	0.78	0.54	0.62	0.72	0.82	0.94	1.00	1.00	1.00
		PI	2.77	2.77	2.78	2.78	2.94	2.94	2.94	2.95	3.11	3.12	3.12	3.30	3.30	3.30	3.31	3.31
	-10	TC	37940	37991	38033	38085	40220	40267	40315	40363	42623	42679	42734	45134	45193	45242	45298	45355
		S/T	0.48	0.55	0.65	0.74	0.51	0.59	0.69	0.78	0.54	0.62	0.73	0.83	0.94	1.00	1.00	1.00
		PI	2.75	2.75	2.75	2.76	2.91	2.92	2.92	2.92	3.09	3.09	3.09	3.27	3.27	3.28	3.28	3.28
	0	TC	37357	37407	37449	37500	39602	39649	39696	39743	41969	42023	42078	44441	44499	44547	44602	44658
		S/T	0.49	0.55	0.65	0.74	0.52	0.59	0.69	0.78	0.55	0.62	0.73	0.83	0.95	1.00	1.00	1.00
		PI	2.74	2.74	2.74	2.75	2.90	2.90	2.91	2.91	3.07	3.08	3.08	3.25	3.26	3.26	3.27	3.27
	5	TC	36308	36357	36398	36447	38490	38536	38581	38627	40790	40843	40896	43193	43249	43296	43350	43404
		S/T	0.49	0.56	0.65	0.74	0.52	0.59	0.69	0.79	0.55	0.63	0.73	0.83	0.95	1.00	1.00	1.00
		PI	2.72	2.72	2.72	2.73	2.88	2.88	2.89	2.89	3.05	3.05	3.06	3.23	3.23	3.24	3.24	3.25
	14	TC	36418	36467	36508	36558	38607	38653	38699	38745	40914	40968	41021	43325	43381	43428	43482	43536
		S/T	0.49	0.56	0.65	0.75	0.52	0.59	0.69	0.79	0.55	0.63	0.74	0.84	0.96	1.00	1.00	1.00
		PI	2.72	2.72	2.72	2.73	2.88	2.88	2.89	2.89	3.05	3.06	3.06	3.23	3.24	3.24	3.25	3.25
	23	TC	37109	37158	37200	37250	39339	39385	39432	39479	41690	41744	41798	44145	44203	44251	44306	44361
		S/T	0.49	0.56	0.66	0.75	0.52	0.60	0.70	0.80	0.55	0.63	0.74	0.84	0.96	1.00	1.00	1.00
		PI	2.73	2.74	2.74	2.74	2.90	2.90	2.90	2.91	3.07	3.07	3.08	3.25	3.25	3.26	3.26	3.27
	32	TC	37077	37126	37168	37218	39305	39352	39398	39445	41654	41708	41762	44107	44165	44213	44268	44323
		S/T	0.50	0.57	0.66	0.75	0.53	0.60	0.70	0.80	0.56	0.64	0.74	0.85	0.97	1.00	1.00	1.00
		PI	2.73	2.74	2.74	2.74	2.90	2.90	2.90	2.91	3.07	3.07	3.08	3.25	3.25	3.26	3.26	3.27
	41	TC	37131	37181	37223	37273	39363	39410	39456	39503	41715	41769	41824	44173	44230	44278	44333	44388
		S/T	0.50	0.57	0.66	0.76	0.53	0.60	0.70	0.80	0.56	0.64	0.75	0.85	0.97	1.00	1.00	1.00
		PI	2.83	2.83	2.84	2.84	3.00	3.00	3.01	3.01	3.18	3.18	3.19	3.36	3.37	3.37	3.38	3.38
50	TC	38082	38133	38176	38227	40371	40419	40466	40515	42783	42839	42894	45303	45362	45412	45468	45525	
	S/T	0.50	0.57	0.67	0.76	0.53	0.61	0.71	0.81	0.56	0.64	0.75	0.86	0.98	1.00	1.00	1.00	
	PI	3.13	3.13	3.14	3.14	3.32	3.32	3.32	3.33	3.52	3.52	3.52	3.72	3.73	3.73	3.74	3.74	
59	TC	39032	39085	39129	39182	41378	41427	41477	41526	43851	43908	43965	46434	46495	46545	46603	46661	
	S/T	0.50	0.57	0.67	0.77	0.53	0.61	0.71	0.81	0.57	0.64	0.75	0.86	0.98	1.00	1.00	1.00	
	PI	3.43	3.43	3.44	3.44	3.64	3.64	3.64	3.65	3.85	3.86	3.86	4.08	4.09	4.09	4.09	4.10	
68	TC	39983	40037	40082	40136	42386	42436	42487	42537	44919	44977	45036	47565	47627	47679	47738	47797	
	S/T	0.52	0.59	0.69	0.79	0.55	0.62	0.73	0.83	0.58	0.66	0.77	0.88	1.00	1.00	1.00	1.00	
	PI	3.73	3.74	3.74	3.74	3.95	3.96	3.96	3.97	4.19	4.20	4.20	4.44	4.44	4.45	4.45	4.46	
77	TC	39057	39110	39154	39207	41405	41454	41503	41552	43879	43936	43993	46464	46524	46575	46633	46691	
	S/T	0.52	0.60	0.70	0.80	0.56	0.63	0.74	0.84	0.59	0.67	0.78	0.89	1.00	1.00	1.00	1.00	
	PI	3.45	3.45	3.45	3.46	3.65	3.66	3.66	3.67	3.87	3.88	3.88	4.10	4.10	4.11	4.11	4.12	
86	TC	39575	39628	39673	39726	41954	42003	42053	42103	44461	44518	44576	47080	47141	47192	47251	47310	
	S/T	0.54	0.61	0.72	0.82	0.57	0.65	0.76	0.87	0.60	0.69	0.80	0.92	1.00	1.00	1.00	1.00	
	PI	3.61	3.62	3.62	3.62	3.83	3.83	3.84	3.84	4.06	4.06	4.06	4.30	4.30	4.31	4.31	4.32	
95	TC	32749	32793	32830	32874	34717	34758	34800	34841	36792	36840	36887	38959	39010	39052	39101	39149	
	S/T	0.56	0.64	0.75	0.86	0.60	0.68	0.80	0.91	0.63	0.72	0.84	0.96	1.00	1.00	1.00	1.00	
	PI	3.49	3.50	3.50	3.50	3.70	3.71	3.71	3.71	3.92	3.93	3.93	4.15	4.16	4.16	4.17	4.17	
104	TC	27100	27137	27167	27204	28729	28763	28797	28831	30446	30485	30525	32239	32281	32316	32356	32397	
	S/T	0.57	0.65	0.76	0.87	0.60	0.69	0.81	0.92	0.64	0.73	0.85	0.97	1.00	1.00	1.00	1.00	
	PI	3.38	3.38	3.38	3.39	3.58	3.58	3.59	3.59	3.79	3.80	3.80	4.02	4.02	4.02	4.03	4.03	
115	TC	22426	22456	22481	22512	23774	23802	23830	23858	25194	25227	25260	26678	26713	26742	26775	26809	
	S/T	0.59	0.67	0.79	0.90	0.63	0.71	0.84	0.95	0.66	0.75	0.89	1.00	1.00	1.00	1.00	1.00	
	PI	3.26	3.27	3.27	3.28	3.46	3.46	3.47	3.47	3.67	3.67	3.68	3.88	3.89	3.89	3.90	3.90	

NOTE: Data highlighted in gray is extrapolated data and not actual test data. At 77°F outdoor conditions sweat protection activates causing a decrease in total capacity.

LEGEND

- TC - Total Net Capacity (Btu/hour)
- S/T: Sensible Cooling Capacity Ratio
- PI: Power Input (kW)
- Extrapolated Data

COOLING PERFORMANCE DUCTED

COOLING PERFORMANCE 48K

PERFORMANCE DUCTED 48K (Sheet 1 of 4)

AIRFLOW (CFM)	OUTDOOR DB °F	ID WB(°F)	60.8				64.4				66.2				71.6			
		ID DB °F	73.4	77.0	80.6	84.2	73.4	77.0	80.6	84.2	73.4	77.0	80.6	84.20	73.4	77.0	80.6	84.2
Low	-22	TC	18052	18076	18096	18121	19137	19159	19182	19205	20280	20307	20333	21495	21523	21547	21574	21602
		S/T	0.21	0.23	0.27	0.31	0.22	0.25	0.29	0.33	0.23	0.26	0.31	0.35	0.40	0.46	0.52	0.59
		PI	1.71	1.71	1.71	1.71	1.81	1.81	1.81	1.81	1.92	1.92	1.92	2.03	2.03	2.03	2.04	2.04
	-10	TC	18476	18501	18522	18547	19587	19610	19633	19656	20757	20784	20811	21973	22001	22025	22052	22080
		S/T	0.21	0.24	0.28	0.31	0.22	0.25	0.29	0.33	0.23	0.27	0.31	0.35	0.40	0.46	0.52	0.60
		PI	1.69	1.69	1.69	1.69	1.79	1.79	1.79	1.80	1.90	1.90	1.90	2.01	2.01	2.01	2.02	2.02
	0	TC	18830	18855	18876	18902	19961	19985	20009	20032	21154	21182	21209	22371	22400	22423	22451	22478
		S/T	0.21	0.24	0.28	0.32	0.22	0.25	0.29	0.34	0.23	0.27	0.31	0.36	0.41	0.46	0.53	0.60
		PI	1.67	1.68	1.68	1.68	1.77	1.78	1.78	1.78	1.88	1.88	1.88	1.99	1.99	2.00	2.00	2.00
	5	TC	19006	19032	19053	19079	20149	20173	20197	20221	21353	21381	21408	22570	22599	22622	22650	22677
		S/T	0.21	0.24	0.28	0.32	0.22	0.25	0.30	0.34	0.23	0.27	0.31	0.36	0.41	0.46	0.53	0.60
		PI	1.67	1.67	1.67	1.67	1.77	1.77	1.77	1.77	1.87	1.87	1.88	1.98	1.98	1.99	1.99	1.99
	14	TC	19325	19351	19372	19398	20486	20510	20535	20559	21710	21738	21767	22929	22957	22981	23008	23035
		S/T	0.21	0.24	0.28	0.32	0.22	0.25	0.30	0.34	0.24	0.27	0.31	0.36	0.41	0.47	0.53	0.61
		PI	1.65	1.66	1.66	1.66	1.75	1.75	1.76	1.76	1.86	1.86	1.86	1.97	1.97	1.97	1.97	1.98
	23	TC	19243	19269	19291	19317	20400	20424	20448	20472	21619	21647	21675	22837	22865	22889	22916	22944
		S/T	0.21	0.24	0.28	0.32	0.22	0.25	0.30	0.34	0.24	0.27	0.32	0.36	0.41	0.47	0.53	0.61
		PI	1.64	1.65	1.65	1.65	1.74	1.74	1.75	1.75	1.85	1.85	1.85	1.96	1.96	1.96	1.96	1.97
	32	TC	18962	18987	19008	19034	20101	20125	20149	20173	21303	21330	21358	22520	22548	22572	22599	22627
		S/T	0.21	0.24	0.28	0.32	0.22	0.26	0.30	0.34	0.24	0.27	0.32	0.36	0.41	0.47	0.54	0.61
		PI	1.64	1.64	1.64	1.64	1.74	1.74	1.74	1.74	1.84	1.84	1.84	1.95	1.95	1.95	1.95	1.96
	41	TC	19269	19295	19317	19343	20428	20452	20476	20500	21648	21676	21705	22866	22895	22919	22946	22973
		S/T	0.21	0.24	0.28	0.32	0.23	0.26	0.30	0.34	0.24	0.27	0.32	0.36	0.41	0.47	0.54	0.61
		PI	1.66	1.66	1.67	1.67	1.76	1.76	1.77	1.77	1.87	1.87	1.87	1.98	1.98	1.98	1.98	1.99
	50	TC	19707	19733	19756	19782	20891	20916	20941	20966	22140	22168	22197	23359	23388	23411	23439	23466
		S/T	0.21	0.24	0.29	0.33	0.23	0.26	0.30	0.35	0.24	0.27	0.32	0.37	0.42	0.48	0.54	0.62
		PI	1.70	1.70	1.70	1.70	1.80	1.80	1.80	1.80	1.91	1.91	1.91	2.02	2.02	2.02	2.02	2.03
	59	TC	19814	19841	19863	19890	21005	21030	21055	21080	22260	22289	22318	23480	23509	23532	23560	23587
		S/T	0.22	0.25	0.29	0.33	0.23	0.26	0.30	0.35	0.24	0.28	0.32	0.37	0.42	0.48	0.54	0.62
		PI	1.71	1.71	1.72	1.72	1.82	1.82	1.82	1.82	1.92	1.93	1.93	2.04	2.04	2.04	2.04	2.05
	68	TC	19922	19949	19971	19998	21119	21144	21169	21194	22381	22410	22439	23601	23630	23654	23681	23708
		S/T	0.22	0.25	0.29	0.33	0.23	0.26	0.31	0.35	0.24	0.28	0.32	0.37	0.42	0.48	0.55	0.62
		PI	1.73	1.73	1.73	1.74	1.83	1.84	1.84	1.84	1.94	1.94	1.95	2.06	2.06	2.06	2.06	2.07
	77	TC	20029	20056	20079	20106	21233	21258	21284	21309	22502	22531	22561	23722	23751	23775	23802	23829
		S/T	0.22	0.25	0.30	0.34	0.24	0.27	0.31	0.36	0.25	0.28	0.33	0.38	0.43	0.49	0.56	0.64
		PI	1.75	1.75	1.75	1.75	1.85	1.85	1.85	1.86	1.96	1.96	1.97	2.08	2.08	2.08	2.08	2.09
	86	TC	18612	18637	18658	18683	19731	19754	19777	19801	20910	20937	20964	22126	22154	22178	22205	22233
		S/T	0.22	0.26	0.30	0.34	0.24	0.27	0.32	0.36	0.25	0.29	0.34	0.38	0.44	0.50	0.57	0.65
		PI	1.95	1.96	1.96	1.96	2.07	2.07	2.08	2.08	2.20	2.20	2.20	2.33	2.33	2.33	2.33	2.34
	95	TC	18368	18392	18413	18438	19472	19495	19518	19541	20635	20662	20689	21851	21879	21903	21930	21957
		S/T	0.23	0.26	0.31	0.35	0.24	0.28	0.33	0.37	0.26	0.30	0.35	0.39	0.45	0.51	0.58	0.67
		PI	2.02	2.02	2.02	2.02	2.14	2.14	2.14	2.14	2.26	2.27	2.27	2.40	2.40	2.40	2.41	2.41
	104	TC	15807	15828	15846	15868	16757	16777	16797	16817	17759	17782	17805	18967	18995	19019	19046	19073
		S/T	0.24	0.28	0.32	0.37	0.26	0.29	0.34	0.39	0.27	0.31	0.36	0.41	0.47	0.54	0.61	0.70
		PI	1.30	1.31	1.31	1.31	1.38	1.38	1.39	1.39	1.47	1.47	1.47	1.60	1.60	1.60	1.61	1.61
	115	TC	13604	13622	13637	13656	14421	14438	14456	14473	15283	15303	15323	16485	16513	16537	16564	16592
		S/T	0.25	0.28	0.33	0.37	0.26	0.30	0.35	0.39	0.28	0.31	0.37	0.42	0.48	0.54	0.62	0.71
		PI	0.84	0.85	0.85	0.85	0.89	0.90	0.90	0.90	0.95	0.95	0.95	1.08	1.08	1.08	1.08	1.08
122	TC	11707	11723	11736	11752	12411	12426	12441	12455	13153	13170	13187	14955	14998	15034	15075	15117	
	S/T	0.25	0.29	0.34	0.39	0.27	0.31	0.36	0.41	0.29	0.33	0.38	0.43	0.49	0.56	0.64	0.73	
	PI	0.55	0.55	0.55	0.55	0.58	0.58	0.58	0.58	0.61	0.61	0.62	0.65	0.65	0.65	0.65	0.65	

PERFORMANCE DUCTED 48K (Sheet 2 of 4)

AIRFLOW (CFM)	OUTDOOR DB °F	ID WB(°F) ID DB °F	60.8				64.4				66.2				71.6			
			73.4	77.0	80.6	84.2	73.4	77.0	80.6	84.2	73.4	77.0	80.6	84.20	73.4	77.0	80.6	84.2
			TC	S/T	PI	TC	S/T	PI	TC	S/T	PI	TC	S/T	PI	TC	S/T	PI	TC
Med	-22	TC	29281	29320	29353	29393	31040	31077	31115	31152	32929	32972	33016	34903	34949	34987	35032	35076
		S/T	0.31	0.36	0.42	0.48	0.33	0.38	0.44	0.50	0.35	0.40	0.47	0.53	0.61	0.69	0.79	0.90
		PI	2.58	2.58	2.59	2.59	2.74	2.74	2.74	2.75	2.90	2.90	2.91	3.07	3.07	3.08	3.08	3.09
	-10	TC	30011	30052	30085	30126	31816	31853	31891	31928	33705	33748	33792	35679	35725	35763	35808	35852
		S/T	0.32	0.36	0.42	0.48	0.33	0.38	0.45	0.51	0.35	0.40	0.47	0.54	0.61	0.70	0.80	0.91
		PI	2.55	2.56	2.56	2.56	2.71	2.71	2.71	2.72	2.87	2.87	2.88	3.04	3.04	3.05	3.05	3.05
	0	TC	30620	30661	30695	30737	32462	32500	32537	32575	34352	34395	34439	36325	36371	36410	36454	36499
		S/T	0.32	0.36	0.42	0.48	0.34	0.38	0.45	0.51	0.36	0.41	0.47	0.54	0.62	0.70	0.80	0.91
		PI	2.53	2.54	2.54	2.54	2.69	2.69	2.69	2.69	2.85	2.85	2.85	3.01	3.02	3.02	3.02	3.03
	5	TC	30924	30966	31000	31042	32786	32823	32861	32898	34675	34718	34762	36649	36695	36733	36778	36822
		S/T	0.32	0.36	0.42	0.48	0.34	0.38	0.45	0.51	0.36	0.41	0.48	0.54	0.62	0.71	0.80	0.92
		PI	2.52	2.53	2.53	2.53	2.67	2.68	2.68	2.68	2.83	2.84	2.84	3.00	3.00	3.01	3.01	3.02
	14	TC	31472	31514	31550	31592	33368	33405	33443	33480	35257	35300	35344	37231	37277	37315	37360	37404
		S/T	0.32	0.36	0.43	0.49	0.34	0.39	0.45	0.51	0.36	0.41	0.48	0.55	0.62	0.71	0.81	0.92
		PI	2.50	2.51	2.51	2.51	2.65	2.66	2.66	2.66	2.81	2.82	2.82	2.98	2.98	2.98	2.99	2.99
	23	TC	31331	31374	31409	31451	33218	33256	33293	33331	35108	35151	35195	37082	37128	37166	37211	37255
		S/T	0.32	0.37	0.43	0.49	0.34	0.39	0.45	0.52	0.36	0.41	0.48	0.55	0.62	0.71	0.81	0.93
		PI	2.49	2.49	2.50	2.50	2.64	2.64	2.64	2.65	2.80	2.80	2.80	2.96	2.96	2.97	2.97	2.98
	32	TC	30847	30889	30923	30965	32704	32741	32779	32816	34593	34637	34680	36567	36613	36652	36696	36740
		S/T	0.32	0.37	0.43	0.49	0.34	0.39	0.46	0.52	0.36	0.41	0.48	0.55	0.63	0.72	0.82	0.93
		PI	2.48	2.48	2.48	2.49	2.63	2.63	2.63	2.64	2.78	2.79	2.79	2.95	2.95	2.96	2.96	2.96
	41	TC	31377	31419	31454	31497	33267	33304	33342	33379	35156	35199	35243	37130	37176	37214	37259	37303
		S/T	0.32	0.37	0.43	0.49	0.34	0.39	0.46	0.52	0.36	0.42	0.49	0.55	0.63	0.72	0.82	0.94
		PI	2.52	2.52	2.52	2.53	2.67	2.67	2.67	2.68	2.83	2.83	2.83	2.99	3.00	3.00	3.01	3.01
	50	TC	32130	32173	32209	32252	34067	34104	34142	34179	35956	35999	36043	37930	37976	38015	38059	38103
		S/T	0.33	0.37	0.43	0.50	0.35	0.39	0.46	0.52	0.37	0.42	0.49	0.56	0.63	0.72	0.82	0.94
		PI	2.57	2.57	2.57	2.58	2.72	2.72	2.73	2.73	2.88	2.89	2.89	3.05	3.06	3.06	3.07	3.07
	59	TC	32315	32358	32395	32438	34263	34301	34338	34376	36153	36196	36240	38126	38172	38211	38255	38300
		S/T	0.33	0.37	0.44	0.50	0.35	0.40	0.46	0.53	0.37	0.42	0.49	0.56	0.64	0.73	0.83	0.94
		PI	2.59	2.60	2.60	2.60	2.75	2.75	2.75	2.76	2.91	2.92	2.92	3.08	3.09	3.09	3.10	3.10
	68	TC	32500	32543	32580	32624	34460	34497	34535	34572	36349	36393	36436	38323	38369	38408	38452	38496
		S/T	0.33	0.38	0.44	0.50	0.35	0.40	0.47	0.53	0.37	0.42	0.49	0.56	0.64	0.73	0.83	0.95
		PI	2.62	2.62	2.62	2.63	2.77	2.78	2.78	2.78	2.94	2.94	2.95	3.11	3.12	3.12	3.13	3.13
	77	TC	32685	32729	32765	32810	34656	34694	34731	34769	36546	36589	36633	38520	38566	38604	38649	38693
		S/T	0.34	0.39	0.45	0.51	0.36	0.41	0.48	0.54	0.38	0.43	0.51	0.58	0.66	0.75	0.85	0.97
		PI	2.64	2.65	2.65	2.65	2.80	2.80	2.81	2.81	2.97	2.97	2.98	3.14	3.15	3.15	3.16	3.16
	86	TC	30245	30286	30320	30361	32064	32102	32139	32177	33953	33997	34041	35927	35973	36012	36056	36101
		S/T	0.34	0.39	0.46	0.52	0.36	0.41	0.48	0.55	0.38	0.44	0.51	0.58	0.67	0.76	0.87	0.99
		PI	2.96	2.96	2.97	2.97	3.14	3.14	3.14	3.15	3.32	3.33	3.33	3.52	3.53	3.53	3.53	3.54
	95	TC	29825	29865	29898	29938	31617	31655	31692	31730	33506	33550	33594	35480	35526	35565	35609	35654
		S/T	0.35	0.40	0.47	0.53	0.37	0.42	0.50	0.57	0.39	0.45	0.53	0.60	0.68	0.78	0.89	1.00
		PI	3.05	3.06	3.06	3.06	3.24	3.24	3.24	3.25	3.43	3.43	3.44	3.63	3.64	3.64	3.64	3.65
	104	TC	25418	25452	25480	25515	26934	26972	27009	27047	28824	28867	28911	30797	30844	30882	30926	30971
		S/T	0.37	0.42	0.49	0.56	0.39	0.45	0.52	0.59	0.41	0.47	0.55	0.63	0.72	0.82	0.93	1.00
		PI	1.97	1.98	1.98	1.98	2.09	2.10	2.10	2.10	2.22	2.22	2.22	2.42	2.42	2.43	2.43	2.43
	115	TC	21625	21654	21679	21708	22904	22942	22979	23017	24794	24837	24881	26767	26814	26852	26896	26941
		S/T	0.37	0.43	0.50	0.57	0.40	0.45	0.53	0.60	0.42	0.48	0.56	0.64	0.73	0.83	0.94	1.00
		PI	1.28	1.28	1.28	1.28	1.35	1.36	1.36	1.36	1.44	1.44	1.44	1.20	1.21	1.21	1.22	1.22
122	TC	17428	17452	17471	17495	18406	18463	18520	18577	21280	21346	21413	24283	24353	24412	24479	24547	
	S/T	0.39	0.44	0.51	0.59	0.41	0.47	0.55	0.62	0.43	0.49	0.58	0.66	0.75	0.86	0.98	1.00	
	PI	0.83	0.83	0.83	0.83	0.88	0.88	0.88	0.88	0.93	0.93	0.93	0.98	0.98	0.99	0.99	0.99	

PERFORMANCE DUCTED 48K (Sheet 3 of 4)

AIRFLOW (CFM)	OUTDOOR DB °F	ID WB(°F) ID DB °F	60.8				64.4				66.2				71.6			
			73.4	77.0	80.6	84.2	73.4	77.0	80.6	84.2	73.4	77.0	80.6	84.20	73.4	77.0	80.6	84.2
			TC	S/T	PI	TC	S/T	PI	TC	S/T	PI	TC	S/T	PI	TC	S/T	PI	TC
High	-22	TC	44547	44607	44657	44718	47223	47280	47337	47394	50097	50163	50230	53100	53170	53229	53296	53364
		S/T	0.48	0.54	0.63	0.72	0.50	0.58	0.67	0.77	0.53	0.61	0.71	0.81	0.93	1.00	1.00	1.00
		PI	3.93	3.93	3.94	3.94	4.16	4.17	4.17	4.18	4.41	4.42	4.42	4.67	4.68	4.68	4.69	4.69
	-10	TC	45658	45720	45771	45833	48403	48460	48517	48575	51278	51344	51410	54281	54351	54410	54477	54544
		S/T	0.48	0.55	0.64	0.73	0.51	0.58	0.68	0.77	0.54	0.61	0.72	0.82	0.93	1.00	1.00	1.00
		PI	3.89	3.89	3.90	3.90	4.12	4.13	4.13	4.14	4.37	4.37	4.38	4.62	4.63	4.64	4.64	4.65
	0	TC	46584	46647	46699	46762	49387	49444	49501	49558	52262	52328	52394	55264	55335	55393	55461	55528
		S/T	0.48	0.55	0.64	0.73	0.51	0.58	0.68	0.78	0.54	0.62	0.72	0.82	0.94	1.00	1.00	1.00
		PI	3.85	3.86	3.86	3.87	4.09	4.09	4.10	4.10	4.33	4.34	4.34	4.58	4.59	4.60	4.60	4.61
	5	TC	47047	47110	47163	47227	49879	49936	49993	50050	52753	52820	52886	55756	55826	55885	55953	56020
		S/T	0.48	0.55	0.64	0.73	0.51	0.58	0.68	0.78	0.54	0.62	0.72	0.83	0.94	1.00	1.00	1.00
		PI	3.84	3.84	3.85	3.85	4.07	4.07	4.08	4.08	4.31	4.32	4.32	4.56	4.57	4.58	4.58	4.59
	14	TC	47880	47945	47999	48063	50764	50821	50878	50936	53639	53705	53771	56642	56712	56771	56838	56905
		S/T	0.49	0.55	0.65	0.74	0.51	0.59	0.69	0.78	0.55	0.62	0.73	0.83	0.95	1.00	1.00	1.00
		PI	3.81	3.81	3.82	3.82	4.04	4.04	4.05	4.05	4.28	4.28	4.29	4.53	4.53	4.54	4.55	4.55
	23	TC	47667	47731	47785	47849	50538	50594	50652	50709	53412	53478	53545	56415	56485	56544	56611	56678
		S/T	0.49	0.56	0.65	0.74	0.52	0.59	0.69	0.79	0.55	0.63	0.73	0.83	0.95	1.00	1.00	1.00
		PI	3.79	3.79	3.80	3.80	4.01	4.02	4.02	4.03	4.25	4.26	4.27	4.50	4.51	4.52	4.52	4.53
	32	TC	46930	46993	47046	47109	49754	49811	49869	49926	52629	52695	52761	55632	55702	55761	55828	55895
		S/T	0.49	0.56	0.65	0.75	0.52	0.59	0.69	0.79	0.55	0.63	0.74	0.84	0.96	1.00	1.00	1.00
		PI	3.77	3.78	3.78	3.78	4.00	4.00	4.01	4.01	4.24	4.24	4.25	4.49	4.49	4.50	4.50	4.51
	41	TC	47736	47800	47854	47918	50611	50668	50725	50782	53485	53551	53618	56488	56558	56617	56684	56752
		S/T	0.49	0.56	0.66	0.75	0.52	0.60	0.70	0.79	0.55	0.63	0.74	0.84	0.96	1.00	1.00	1.00
		PI	3.83	3.83	3.84	3.84	4.06	4.06	4.07	4.07	4.30	4.31	4.31	4.56	4.56	4.57	4.57	4.58
	50	TC	48881	48947	49002	49068	51828	51885	51942	51999	54702	54769	54835	57705	57775	57834	57902	57969
		S/T	0.50	0.57	0.66	0.75	0.53	0.60	0.70	0.80	0.56	0.63	0.74	0.85	0.96	1.00	1.00	1.00
		PI	3.91	3.91	3.92	3.92	4.14	4.15	4.15	4.16	4.39	4.39	4.40	4.65	4.65	4.66	4.66	4.67
	59	TC	49163	49229	49284	49351	52127	52184	52241	52298	55001	55068	55134	58004	58075	58133	58201	58268
		S/T	0.50	0.57	0.66	0.76	0.53	0.60	0.70	0.80	0.56	0.64	0.75	0.85	0.97	1.00	1.00	1.00
		PI	3.94	3.95	3.95	3.96	4.18	4.19	4.19	4.20	4.43	4.44	4.44	4.69	4.70	4.70	4.71	4.71
	68	TC	49444	49511	49566	49633	52426	52483	52540	52597	55301	55367	55433	58303	58374	58432	58500	58567
		S/T	0.50	0.57	0.67	0.76	0.53	0.60	0.71	0.81	0.56	0.64	0.75	0.86	0.97	1.00	1.00	1.00
		PI	3.98	3.99	3.99	4.00	4.22	4.23	4.23	4.24	4.47	4.48	4.49	4.74	4.74	4.75	4.75	4.76
	77	TC	49726	49793	49848	49916	52725	52782	52839	52897	55600	55666	55732	58603	58673	58731	58799	58866
		S/T	0.51	0.59	0.69	0.78	0.54	0.62	0.73	0.83	0.58	0.66	0.77	0.88	1.00	1.00	1.00	1.00
		PI	4.02	4.03	4.03	4.04	4.26	4.27	4.27	4.28	4.52	4.52	4.53	4.78	4.79	4.79	4.80	4.81
	86	TC	46014	46076	46128	46190	48781	48838	48895	48953	51656	51722	51788	54659	54729	54788	54855	54922
		S/T	0.52	0.59	0.69	0.79	0.55	0.63	0.74	0.84	0.59	0.67	0.78	0.89	1.00	1.00	1.00	1.00
		PI	4.50	4.51	4.51	4.52	4.77	4.78	4.78	4.79	5.06	5.06	5.07	5.36	5.36	5.37	5.38	5.38
	95	TC	45374	45435	45486	45548	48101	48158	48215	48273	50976	51042	51108	53979	54049	54108	54175	54242
		S/T	0.53	0.61	0.71	0.81	0.57	0.65	0.75	0.86	0.60	0.68	0.80	0.91	0.64	0.74	0.85	0.97
		PI	4.64	4.65	4.65	4.66	4.92	4.93	4.93	4.94	5.22	5.22	5.23	5.52	5.53	5.54	5.54	5.55
	104	TC	38670	38722	38765	38818	40977	41034	41091	41148	43851	43918	43984	46854	46925	46983	47051	47118
		S/T	0.56	0.64	0.75	0.85	0.59	0.68	0.79	0.90	0.63	0.72	0.84	0.96	1.00	1.00	1.00	1.00
		PI	3.00	3.01	3.01	3.02	3.18	3.19	3.19	3.20	3.38	3.38	3.38	3.68	3.68	3.69	3.70	3.70
	115	TC	32900	32944	32981	33026	34846	34903	34960	35017	37720	37787	37853	40723	40793	40852	40919	40987
		S/T	0.57	0.65	0.76	0.86	0.60	0.69	0.80	0.91	0.64	0.73	0.85	0.97	1.00	1.00	1.00	1.00
		PI	1.94	1.95	1.95	1.95	2.06	2.06	2.07	2.07	2.18	2.19	2.19	1.83	1.84	1.84	1.85	1.86
122	TC	27934	27972	28003	28041	29569	29626	29683	29741	32444	32510	32576	35447	35517	35576	35643	35710	
	S/T	0.59	0.67	0.78	0.89	0.62	0.71	0.83	0.95	0.66	0.75	0.88	1.00	1.00	1.00	1.00	1.00	
	PI	1.26	1.26	1.26	1.26	1.33	1.33	1.34	1.34	1.41	1.41	1.42	1.50	1.50	1.50	1.50	1.50	

PERFORMANCE DUCTED 48K (Sheet 4 of 4)

AIRFLOW (CFM)	OUTDOOR DB °F	ID WB(°F) ID DB °F	60.8				64.4				66.2				71.6			
			73.4	77.0	80.6	84.2	73.4	77.0	80.6	84.2	73.4	77.0	80.6	84.20	73.4	77.0	80.6	84.2
			TC	S/T	PI	TC	S/T	PI	TC	S/T	PI	TC	S/T	PI	TC	S/T	PI	TC
Turbo	-22	TC	44854	44914	44964	45025	47549	47606	47662	47719	50391	50456	50522	53359	53429	53487	53553	53620
		S/T	0.48	0.55	0.64	0.73	0.51	0.58	0.68	0.77	0.54	0.61	0.72	0.82	0.93	1.00	1.00	1.00
		PI	3.95	3.96	3.96	3.96	4.19	4.19	4.20	4.20	4.44	4.44	4.45	4.70	4.70	4.71	4.72	4.72
	-10	TC	45908	45969	46021	46083	48667	48725	48782	48840	51575	51642	51709	54613	54684	54744	54812	54880
		S/T	0.48	0.55	0.64	0.73	0.51	0.58	0.68	0.78	0.54	0.62	0.72	0.82	0.94	1.00	1.00	1.00
		PI	3.91	3.91	3.92	3.92	4.14	4.15	4.15	4.16	4.39	4.40	4.40	4.65	4.66	4.66	4.67	4.67
	0	TC	46786	46849	46902	46965	49598	49657	49716	49775	52562	52630	52699	55658	55731	55791	55861	55930
		S/T	0.48	0.55	0.65	0.74	0.51	0.59	0.69	0.78	0.54	0.62	0.73	0.83	0.94	1.00	1.00	1.00
		PI	3.88	3.88	3.89	3.89	4.11	4.11	4.12	4.12	4.35	4.36	4.37	4.61	4.62	4.62	4.63	4.63
	5	TC	47225	47289	47342	47406	50064	50123	50183	50242	53056	53124	53194	56181	56254	56315	56385	56455
		S/T	0.49	0.55	0.65	0.74	0.52	0.59	0.69	0.78	0.55	0.62	0.73	0.83	0.95	1.00	1.00	1.00
		PI	3.86	3.86	3.87	3.87	4.09	4.10	4.10	4.11	4.34	4.34	4.35	4.59	4.60	4.60	4.61	4.61
	14	TC	48016	48081	48135	48200	50902	50962	51023	51083	53944	54014	54084	57121	57196	57258	57329	57401
		S/T	0.49	0.56	0.65	0.74	0.52	0.59	0.69	0.79	0.55	0.63	0.73	0.83	0.95	1.00	1.00	1.00
		PI	3.83	3.83	3.84	3.84	4.06	4.06	4.07	4.07	4.30	4.31	4.31	4.56	4.56	4.57	4.57	4.58
	23	TC	47814	47878	47932	47996	50687	50747	50807	50868	53716	53786	53856	56880	56954	57016	57087	57158
		S/T	0.49	0.56	0.65	0.75	0.52	0.59	0.69	0.79	0.55	0.63	0.74	0.84	0.96	1.00	1.00	1.00
		PI	3.81	3.81	3.82	3.82	4.04	4.04	4.05	4.05	4.28	4.28	4.29	4.53	4.54	4.54	4.55	4.55
	32	TC	47114	47178	47231	47294	49946	50005	50064	50124	52931	52999	53068	56049	56121	56182	56252	56322
		S/T	0.49	0.56	0.66	0.75	0.52	0.60	0.70	0.80	0.55	0.63	0.74	0.84	0.96	1.00	1.00	1.00
		PI	3.79	3.80	3.80	3.81	4.02	4.03	4.03	4.03	4.26	4.27	4.27	4.51	4.52	4.52	4.53	4.53
	41	TC	47879	47943	47997	48062	50757	50817	50877	50937	53790	53860	53930	56958	57032	57094	57165	57237
		S/T	0.50	0.57	0.66	0.75	0.53	0.60	0.70	0.80	0.56	0.64	0.74	0.85	0.97	1.00	1.00	1.00
		PI	3.85	3.86	3.86	3.87	4.08	4.09	4.09	4.10	4.33	4.33	4.34	4.58	4.59	4.59	4.60	4.60
	50	TC	48966	49032	49087	49153	51909	51970	52032	52094	55011	55082	55154	58251	58327	58390	58463	58536
		S/T	0.50	0.57	0.66	0.76	0.53	0.60	0.70	0.80	0.56	0.64	0.75	0.85	0.97	1.00	1.00	1.00
		PI	3.93	3.93	3.94	3.94	4.16	4.17	4.17	4.18	4.41	4.42	4.42	4.67	4.68	4.68	4.69	4.70
	59	TC	49233	49299	49354	49421	52192	52254	52316	52378	55311	55383	55455	58569	58645	58709	58782	58855
		S/T	0.50	0.57	0.67	0.76	0.53	0.61	0.71	0.81	0.56	0.64	0.75	0.86	0.98	1.00	1.00	1.00
		PI	3.97	3.97	3.98	3.98	4.21	4.21	4.22	4.22	4.46	4.46	4.47	4.72	4.73	4.73	4.74	4.74
	68	TC	49500	49567	49622	49689	52475	52537	52600	52662	55611	55683	55756	58887	58963	59027	59101	59174
		S/T	0.50	0.57	0.67	0.77	0.53	0.61	0.71	0.81	0.57	0.64	0.75	0.86	0.98	1.00	1.00	1.00
		PI	4.01	4.01	4.02	4.02	4.25	4.25	4.26	4.26	4.50	4.51	4.51	4.76	4.77	4.78	4.78	4.79
	77	TC	49767	49834	49890	49957	52758	52821	52883	52946	55911	55984	56056	59204	59281	59346	59420	59494
		S/T	0.52	0.59	0.69	0.79	0.55	0.62	0.73	0.83	0.58	0.66	0.77	0.88	1.00	1.00	1.00	1.00
		PI	4.04	4.05	4.05	4.06	4.29	4.29	4.30	4.30	4.54	4.55	4.55	4.81	4.82	4.82	4.83	4.83
	86	TC	46245	46308	46360	46422	49025	49083	49141	49199	51954	52022	52090	55015	55086	55146	55215	55284
		S/T	0.52	0.60	0.70	0.80	0.56	0.63	0.74	0.84	0.59	0.67	0.78	0.89	1.00	1.00	1.00	1.00
		PI	4.53	4.53	4.54	4.55	4.80	4.81	4.81	4.82	5.09	5.09	5.10	5.39	5.39	5.40	5.41	5.41
	95	TC	45638	45699	45751	45812	48381	48438	48496	48553	51272	51339	51406	54292	54363	54422	54490	54558
		S/T	0.54	0.61	0.72	0.82	0.57	0.65	0.76	0.87	0.60	0.69	0.80	0.92	1.00	1.00	1.00	1.00
		PI	4.67	4.68	4.68	4.69	4.95	4.96	4.96	4.97	5.25	5.25	5.26	5.56	5.56	5.57	5.58	5.58
	104	TC	39276	39329	39373	39426	41637	41686	41736	41785	44125	44182	44240	46724	46785	46836	46894	46953
		S/T	0.56	0.64	0.75	0.86	0.60	0.68	0.80	0.91	0.63	0.72	0.84	0.96	1.00	1.00	1.00	1.00
		PI	3.02	3.03	3.03	3.03	3.20	3.21	3.21	3.21	3.39	3.40	3.40	3.59	3.60	3.60	3.61	3.61
	115	TC	33801	33847	33885	33931	35833	35875	35918	35961	37974	38024	38073	40211	40264	40307	40357	40408
		S/T	0.57	0.65	0.76	0.87	0.60	0.69	0.81	0.92	0.64	0.73	0.85	0.97	1.00	1.00	1.00	1.00
		PI	1.95	1.96	1.96	1.96	2.07	2.07	2.08	2.08	2.20	2.20	2.20	2.33	2.33	2.33	2.33	2.34
122	TC	29090	29129	29161	29201	30838	30875	30911	30948	32681	32723	32766	34606	34651	34689	34732	34775	
	S/T	0.59	0.67	0.79	0.90	0.63	0.71	0.84	0.95	0.66	0.75	0.89	1.00	1.00	1.00	1.00	1.00	
	PI	1.26	1.27	1.27	1.27	1.34	1.34	1.34	1.35	1.42	1.42	1.42	1.50	1.51	1.51	1.51	1.51	

NOTE: Data highlighted in gray is extrapolated data and not actual test data. At 77°F outdoor conditions sweat protection activates causing a decrease in total capacity.

LEGEND

- TC - Total Net Capacity (Btu/hour)
- S/T: Sensible Cooling Capacity Ratio
- PI: Power Input (kW)
- Extrapolated Data

COOLING PERFORMANCE DUCTED

COOLING PERFORMANCE 48K HH

PERFORMANCE DUCTED 48K HH (Sheet 1 of 4)

AIRFLOW (CFM)	OUTDOOR DB °F	ID WB(°F) ID DB(°F)	60.8				64.4				66.2				71.6			
			73.4	77.0	80.6	84.2	73.4	77.0	80.6	84.2	73.4	77.0	80.6	84.20	73.4	77.0	80.6	84.2
			TC	18579	18604	18625	18650	19696	19719	19743	19766	20873	20900	20927	22094	22122	22146	22173
-22	S/T	0.21	0.23	0.27	0.31	0.22	0.25	0.29	0.33	0.23	0.26	0.31	0.35	0.40	0.46	0.52	0.59	
	PI	1.16	1.16	1.16	1.16	1.23	1.23	1.23	1.23	1.30	1.31	1.31	1.38	1.38	1.38	1.39	1.39	
	TC	18546	18571	18592	18617	19661	19684	19708	19731	20836	20863	20890	22056	22085	22109	22136	22164	
-10	S/T	0.21	0.24	0.28	0.31	0.22	0.25	0.29	0.33	0.23	0.27	0.31	0.35	0.40	0.46	0.52	0.60	
	PI	1.18	1.18	1.19	1.19	1.25	1.26	1.26	1.26	1.33	1.33	1.33	1.41	1.41	1.41	1.41	1.41	
	TC	18519	18544	18564	18589	19632	19655	19678	19702	20805	20832	20859	22025	22054	22078	22105	22133	
0	S/T	0.21	0.24	0.28	0.32	0.22	0.25	0.29	0.34	0.23	0.27	0.31	0.36	0.41	0.46	0.53	0.60	
	PI	1.20	1.20	1.21	1.21	1.27	1.28	1.28	1.28	1.35	1.35	1.35	1.43	1.43	1.43	1.44	1.44	
	TC	18505	18530	18551	18576	19617	19640	19664	19687	20789	20816	20843	22010	22038	22062	22090	22117	
5	S/T	0.21	0.24	0.28	0.32	0.22	0.25	0.30	0.34	0.23	0.27	0.31	0.36	0.41	0.46	0.53	0.60	
	PI	1.21	1.21	1.22	1.22	1.29	1.29	1.29	1.29	1.36	1.36	1.37	1.44	1.44	1.45	1.45	1.45	
	TC	18480	18505	18526	18551	19591	19614	19637	19661	20761	20788	20815	21982	22010	22034	22062	22089	
14	S/T	0.21	0.24	0.28	0.32	0.22	0.25	0.30	0.34	0.24	0.27	0.31	0.36	0.41	0.47	0.53	0.61	
	PI	1.23	1.23	1.23	1.23	1.30	1.31	1.31	1.31	1.38	1.38	1.39	1.46	1.46	1.47	1.47	1.47	
	TC	19297	19323	19345	19371	20457	20481	20505	20530	21679	21707	21736	22902	22931	22954	22982	23009	
23	S/T	0.21	0.24	0.28	0.32	0.22	0.25	0.30	0.34	0.24	0.27	0.32	0.36	0.41	0.47	0.53	0.61	
	PI	1.18	1.18	1.19	1.19	1.25	1.26	1.26	1.26	1.33	1.33	1.33	1.41	1.41	1.41	1.41	1.41	
	TC	20535	20563	20586	20613	21769	21795	21821	21847	23070	23100	23130	24296	24325	24349	24376	24404	
32	S/T	0.21	0.24	0.28	0.32	0.22	0.26	0.30	0.34	0.24	0.27	0.32	0.36	0.41	0.47	0.54	0.61	
	PI	1.10	1.11	1.11	1.11	1.17	1.17	1.17	1.17	1.24	1.24	1.24	1.31	1.31	1.32	1.32	1.32	
	TC	21973	22003	22028	22057	23294	23322	23349	23377	24686	24718	24750	25916	25945	25969	25996	26024	
41	S/T	0.21	0.24	0.28	0.32	0.23	0.26	0.30	0.34	0.24	0.27	0.32	0.36	0.41	0.47	0.54	0.61	
	PI	1.19	1.19	1.19	1.19	1.26	1.26	1.26	1.26	1.33	1.33	1.34	1.41	1.41	1.41	1.42	1.42	
	TC	22664	22694	22720	22751	24026	24055	24083	24112	25462	25495	25528	26694	26723	26747	26774	26802	
50	S/T	0.21	0.24	0.29	0.33	0.23	0.26	0.30	0.35	0.24	0.27	0.32	0.37	0.42	0.48	0.54	0.62	
	PI	1.32	1.32	1.33	1.33	1.40	1.40	1.40	1.41	1.48	1.49	1.49	1.57	1.57	1.58	1.58	1.58	
	TC	21659	21688	21712	21742	22961	22988	23015	23042	24333	24364	24396	25562	25591	25615	25642	25669	
59	S/T	0.22	0.25	0.29	0.33	0.23	0.26	0.30	0.35	0.24	0.28	0.32	0.37	0.42	0.48	0.54	0.62	
	PI	1.40	1.40	1.41	1.41	1.49	1.49	1.49	1.49	1.57	1.58	1.58	1.67	1.67	1.67	1.67	1.68	
	TC	20654	20681	20705	20733	21895	21921	21947	21973	23203	23234	23264	24430	24459	24483	24510	24537	
68	S/T	0.22	0.25	0.29	0.33	0.23	0.26	0.31	0.35	0.24	0.28	0.32	0.37	0.42	0.48	0.55	0.62	
	PI	1.48	1.48	1.49	1.49	1.57	1.57	1.57	1.58	1.66	1.67	1.67	1.76	1.76	1.77	1.77	1.77	
	TC	19649	19675	19697	19724	20830	20854	20879	20904	22074	22103	22132	23298	23327	23350	23378	23405	
77	S/T	0.22	0.25	0.30	0.34	0.24	0.27	0.31	0.36	0.25	0.28	0.33	0.38	0.43	0.49	0.56	0.64	
	PI	1.56	1.56	1.57	1.57	1.66	1.66	1.66	1.66	1.75	1.76	1.76	1.86	1.86	1.86	1.86	1.87	
	TC	19294	19320	19341	19367	20453	20478	20502	20526	21676	21704	21732	22898	22927	22951	22978	23006	
86	S/T	0.22	0.26	0.30	0.34	0.24	0.27	0.32	0.36	0.25	0.29	0.34	0.38	0.44	0.50	0.57	0.65	
	PI	1.76	1.76	1.77	1.77	1.87	1.87	1.87	1.87	1.98	1.98	1.98	2.10	2.10	2.10	2.10	2.11	
	TC	18439	18463	18484	18509	19547	19570	19593	19617	20715	20742	20769	21935	21964	21988	22015	22042	
95	S/T	0.23	0.26	0.31	0.35	0.24	0.28	0.33	0.37	0.26	0.30	0.35	0.39	0.45	0.51	0.58	0.67	
	PI	1.87	1.87	1.87	1.88	1.98	1.98	1.99	1.99	2.10	2.10	2.10	2.22	2.23	2.23	2.23	2.23	
	TC	15875	15896	15914	15935	16829	16849	16869	16889	17834	17858	17881	19047	19076	19100	19127	19154	
104	S/T	0.24	0.28	0.32	0.37	0.26	0.29	0.34	0.39	0.27	0.31	0.36	0.41	0.47	0.54	0.61	0.70	
	PI	1.89	1.89	1.89	1.90	2.00	2.01	2.01	2.01	2.12	2.13	2.13	2.25	2.25	2.25	2.26	2.26	
	TC	13667	13686	13701	13719	14489	14506	14523	14540	15354	15374	15394	16561	16589	16613	16640	16668	
115	S/T	0.25	0.28	0.33	0.37	0.26	0.30	0.35	0.39	0.28	0.31	0.37	0.42	0.48	0.54	0.62	0.71	
	PI	1.91	1.91	1.92	1.92	2.03	2.03	2.03	2.03	2.15	2.15	2.15	2.27	2.27	2.28	2.28	2.28	
	TC	11767	11782	11796	11812	12474	12489	12503	12518	13219	13236	13254	15028	15072	15108	15149	15191	
122	S/T	0.25	0.29	0.34	0.39	0.27	0.31	0.36	0.41	0.29	0.33	0.38	0.43	0.49	0.56	0.64	0.73	
	PI	1.93	1.94	1.94	1.94	2.05	2.05	2.05	2.06	2.17	2.17	2.18	2.30	2.30	2.31	2.31	2.31	

PERFORMANCE DUCTED 48K HH (Sheet 2 of 4)

AIRFLOW (CFM)	OUTDOOR DB °F	ID WB(°F) ID DB(°F)	60.8				64.4				66.2				71.6			
			73.4	77.0	80.6	84.2	73.4	77.0	80.6	84.2	73.4	77.0	80.6	84.20	73.4	77.0	80.6	84.2
			TC	S/T	PI	TC	S/T	PI	TC	S/T	PI	TC	S/T	PI	TC	S/T	PI	TC
Med	-22	TC	30182	30223	30257	30298	31997	32034	32072	32110	33894	33937	33981	35875	35921	35960	36004	36049
		S/T	0.31	0.36	0.42	0.48	0.33	0.38	0.44	0.50	0.35	0.40	0.47	0.53	0.61	0.69	0.79	0.90
		PI	1.76	1.76	1.76	1.76	1.86	1.86	1.87	1.87	1.97	1.98	1.98	2.09	2.09	2.09	2.10	2.10
	-10	TC	30125	30166	30200	30240	31936	31974	32012	32049	33833	33877	33920	35814	35861	35899	35944	35988
		S/T	0.32	0.36	0.42	0.48	0.33	0.38	0.45	0.51	0.35	0.40	0.47	0.54	0.61	0.70	0.80	0.91
		PI	1.79	1.79	1.80	1.80	1.90	1.90	1.90	1.91	2.01	2.02	2.02	2.13	2.13	2.14	2.14	2.14
	0	TC	30078	30118	30152	30193	31886	31923	31961	31999	33783	33826	33870	35764	35810	35849	35893	35938
		S/T	0.32	0.36	0.42	0.48	0.34	0.38	0.45	0.51	0.36	0.41	0.47	0.54	0.62	0.70	0.80	0.91
		PI	1.82	1.82	1.83	1.83	1.93	1.93	1.93	1.94	2.05	2.05	2.05	2.17	2.17	2.17	2.17	2.18
	5	TC	30054	30094	30128	30169	31861	31898	31936	31974	33757	33801	33845	35739	35785	35824	35868	35913
		S/T	0.32	0.36	0.42	0.48	0.34	0.38	0.45	0.51	0.36	0.41	0.48	0.54	0.62	0.71	0.80	0.92
		PI	1.84	1.84	1.84	1.84	1.95	1.95	1.95	1.95	2.06	2.06	2.07	2.18	2.19	2.19	2.19	2.19
	14	TC	30011	30052	30085	30126	31815	31853	31890	31928	33712	33756	33799	35693	35740	35778	35823	35867
		S/T	0.32	0.36	0.43	0.49	0.34	0.39	0.45	0.51	0.36	0.41	0.48	0.55	0.62	0.71	0.81	0.92
		PI	1.86	1.86	1.87	1.87	1.97	1.98	1.98	1.98	2.09	2.09	2.10	2.21	2.22	2.22	2.22	2.23
	23	TC	31417	31460	31495	31537	33309	33347	33385	33422	35206	35250	35294	37187	37234	37273	37317	37362
		S/T	0.32	0.37	0.43	0.49	0.34	0.39	0.45	0.52	0.36	0.41	0.48	0.55	0.62	0.71	0.81	0.93
		PI	1.79	1.79	1.79	1.80	1.90	1.90	1.90	1.90	2.01	2.01	2.02	2.13	2.13	2.14	2.14	2.14
	32	TC	33548	33593	33631	33676	35573	35611	35649	35686	37470	37514	37558	39452	39498	39537	39581	39626
		S/T	0.32	0.37	0.43	0.49	0.34	0.39	0.46	0.52	0.36	0.41	0.48	0.55	0.63	0.72	0.82	0.93
		PI	1.67	1.67	1.68	1.68	1.77	1.77	1.78	1.78	1.88	1.88	1.88	1.99	1.99	1.99	1.99	2.00
	41	TC	36024	36072	36113	36161	38204	38242	38279	38317	40111	40144	40188	42082	42129	42167	42212	42256
		S/T	0.32	0.37	0.43	0.49	0.34	0.39	0.46	0.52	0.36	0.42	0.49	0.55	0.63	0.72	0.82	0.94
		PI	1.80	1.80	1.80	1.80	1.90	1.91	1.91	1.91	2.02	2.02	2.02	2.14	2.14	2.14	2.14	2.15
	50	TC	37213	37263	37304	37355	39467	39505	39543	39580	41364	41408	41452	43345	43392	43431	43475	43519
		S/T	0.33	0.37	0.43	0.50	0.35	0.39	0.46	0.52	0.37	0.42	0.49	0.56	0.63	0.72	0.82	0.94
		PI	2.00	2.00	2.01	2.01	2.12	2.12	2.13	2.13	2.25	2.25	2.25	2.38	2.38	2.39	2.39	2.39
	59	TC	35483	35530	35570	35618	37629	37667	37704	37742	39526	39569	39613	41507	41553	41592	41637	41681
		S/T	0.33	0.37	0.44	0.50	0.35	0.40	0.46	0.53	0.37	0.42	0.49	0.56	0.64	0.73	0.83	0.94
		PI	2.12	2.12	2.13	2.13	2.25	2.25	2.25	2.26	2.38	2.39	2.39	2.52	2.53	2.53	2.53	2.54
	68	TC	33753	33798	33836	33881	35791	35828	35866	35904	37687	37731	37775	39669	39715	39754	39798	39843
		S/T	0.33	0.38	0.44	0.50	0.35	0.40	0.47	0.53	0.37	0.42	0.49	0.56	0.64	0.73	0.83	0.95
		PI	2.24	2.25	2.25	2.25	2.38	2.38	2.38	2.39	2.52	2.52	2.53	2.67	2.67	2.67	2.68	2.68
	77	TC	32023	32066	32102	32145	33952	33990	34028	34065	35849	35893	35937	37830	37877	37916	37960	38004
		S/T	0.34	0.39	0.45	0.51	0.36	0.41	0.48	0.54	0.38	0.43	0.51	0.58	0.66	0.75	0.85	0.97
		PI	2.36	2.37	2.37	2.37	2.51	2.51	2.51	2.51	2.66	2.66	2.66	2.81	2.82	2.82	2.82	2.83
	86	TC	31412	31454	31489	31532	33303	33341	33379	33416	35200	35244	35288	37181	37228	37267	37311	37355
		S/T	0.34	0.39	0.46	0.52	0.36	0.41	0.48	0.55	0.38	0.44	0.51	0.58	0.67	0.76	0.87	0.99
		PI	2.67	2.67	2.67	2.68	2.83	2.83	2.83	2.84	3.00	3.00	3.00	3.17	3.18	3.18	3.18	3.19
	95	TC	29940	29980	30014	30054	31740	31777	31815	31853	33636	33680	33724	35618	35664	35703	35747	35792
		S/T	0.35	0.40	0.47	0.53	0.37	0.42	0.50	0.57	0.39	0.45	0.53	0.60	0.68	0.78	0.89	1.00
		PI	2.83	2.83	2.84	2.84	3.00	3.00	3.01	3.01	3.18	3.18	3.19	3.37	3.37	3.37	3.38	3.38
	104	TC	25527	25561	25590	25624	27050	27088	27125	27163	28947	28990	29034	30928	30974	31013	31058	31102
		S/T	0.37	0.42	0.49	0.56	0.39	0.45	0.52	0.59	0.41	0.47	0.55	0.63	0.72	0.82	0.93	1.00
		PI	2.86	2.87	2.87	2.87	3.03	3.04	3.04	3.04	3.21	3.22	3.22	3.40	3.41	3.41	3.41	3.42
	115	TC	21727	21757	21781	21810	23013	23050	23088	23126	24909	24953	24997	26891	26937	26976	27020	27065
		S/T	0.37	0.43	0.50	0.57	0.40	0.45	0.53	0.60	0.42	0.48	0.56	0.64	0.73	0.83	0.94	1.00
		PI	2.89	2.90	2.90	2.90	3.07	3.07	3.08	3.08	3.25	3.26	3.26	3.44	3.44	3.45	3.45	3.45
122	TC	17520	17543	17563	17587	18502	18559	18617	18674	21388	21454	21521	24402	24473	24532	24599	24667	
	S/T	0.39	0.44	0.51	0.59	0.41	0.47	0.55	0.62	0.43	0.49	0.58	0.66	0.75	0.86	0.98	1.00	
	PI	2.93	2.93	2.93	2.94	3.10	3.11	3.11	3.11	3.29	3.29	3.30	3.48	3.49	3.49	3.49	3.50	

PERFORMANCE DUCTED 48K HH (Sheet 3 of 4)

AIRFLOW (CFM)	OUTDOOR DB °F	ID WB(°F) ID DB(°F)	60.8				64.4				66.2				71.6			
			73.4	77.0	80.6	84.2	73.4	77.0	80.6	84.2	73.4	77.0	80.6	84.20	73.4	77.0	80.6	84.2
			TC	45918	45980	46032	46094	48679	48736	48794	48851	51565	51631	51698	54579	54650	54709	54776
S/T	0.48	0.54	0.63	0.72	0.50	0.58	0.67	0.77	0.53	0.61	0.71	0.81	0.93	1.00	1.00	1.00		
PI	2.67	2.68	2.68	2.68	2.83	2.84	2.84	2.84	3.00	3.01	3.01	3.18	3.18	3.19	3.19	3.19		
-10	TC	45832	45893	45945	46007	48587	48644	48702	48759	51473	51539	51606	54487	54557	54616	54684	54752	
	S/T	0.48	0.55	0.64	0.73	0.51	0.58	0.68	0.77	0.54	0.61	0.72	0.82	0.93	1.00	1.00	1.00	
	PI	2.73	2.73	2.73	2.74	2.89	2.89	2.90	2.90	3.06	3.07	3.07	3.24	3.25	3.25	3.25	3.26	
0	TC	45759	45821	45872	45934	48510	48567	48625	48682	51396	51462	51529	54410	54481	54540	54607	54675	
	S/T	0.48	0.55	0.64	0.73	0.51	0.58	0.68	0.78	0.54	0.62	0.72	0.82	0.94	1.00	1.00	1.00	
	PI	2.77	2.77	2.78	2.78	2.94	2.94	2.94	2.95	3.11	3.12	3.12	3.30	3.30	3.30	3.31	3.31	
5	TC	45723	45785	45836	45898	48472	48529	48586	48644	51357	51424	51490	54372	54442	54501	54569	54637	
	S/T	0.48	0.55	0.64	0.73	0.51	0.58	0.68	0.78	0.54	0.62	0.72	0.83	0.94	1.00	1.00	1.00	
	PI	2.79	2.80	2.80	2.80	2.96	2.96	2.97	2.97	3.14	3.14	3.15	3.32	3.33	3.33	3.33	3.34	
14	TC	45658	45720	45771	45833	48403	48460	48517	48575	51288	51355	51421	54303	54373	54432	54500	54568	
	S/T	0.49	0.55	0.65	0.74	0.51	0.59	0.69	0.78	0.55	0.62	0.73	0.83	0.95	1.00	1.00	1.00	
	PI	2.83	2.84	2.84	2.84	3.00	3.01	3.01	3.01	3.18	3.19	3.19	3.37	3.37	3.38	3.38	3.39	
23	TC	47798	47862	47916	47980	50676	50733	50791	50848	53562	53628	53695	56576	56646	56705	56773	56841	
	S/T	0.49	0.56	0.65	0.74	0.52	0.59	0.69	0.79	0.55	0.63	0.73	0.83	0.95	1.00	1.00	1.00	
	PI	2.72	2.73	2.73	2.73	2.89	2.89	2.89	2.90	3.06	3.06	3.07	3.24	3.24	3.25	3.25	3.26	
32	TC	51039	51108	51165	51234	54120	54178	54235	54292	57006	57072	57139	60020	60091	60150	60217	60285	
	S/T	0.49	0.56	0.65	0.75	0.52	0.59	0.69	0.79	0.55	0.63	0.74	0.84	0.96	1.00	1.00	1.00	
	PI	2.54	2.55	2.55	2.55	2.69	2.70	2.70	2.70	2.86	2.86	2.86	3.02	3.03	3.03	3.04	3.04	
41	TC	54805	54879	54941	55015	58123	58180	58237	58295	61006	61075	61141	64023	64093	64152	64220	64287	
	S/T	0.49	0.56	0.66	0.75	0.52	0.60	0.70	0.79	0.55	0.63	0.74	0.84	0.96	1.00	1.00	1.00	
	PI	2.73	2.74	2.74	2.74	2.90	2.90	2.90	2.91	3.07	3.07	3.08	3.25	3.25	3.26	3.26	3.27	
50	TC	56614	56690	56754	56830	60045	60102	60159	60217	62930	62997	63063	65945	66015	66074	66142	66209	
	S/T	0.50	0.57	0.66	0.75	0.53	0.60	0.70	0.80	0.56	0.63	0.74	0.85	0.96	1.00	1.00	1.00	
	PI	3.04	3.05	3.05	3.06	3.23	3.23	3.23	3.24	3.42	3.42	3.43	3.62	3.63	3.63	3.63	3.64	
59	TC	53982	54055	54115	54188	57248	57305	57362	57420	60133	60200	60266	63148	63218	63277	63345	63413	
	S/T	0.50	0.57	0.66	0.76	0.53	0.60	0.70	0.80	0.56	0.64	0.75	0.85	0.97	1.00	1.00	1.00	
	PI	3.23	3.23	3.24	3.24	3.42	3.43	3.43	3.43	3.63	3.63	3.64	3.84	3.85	3.85	3.85	3.86	
68	TC	51350	51419	51477	51546	54451	54508	54566	54623	57337	57403	57470	60351	60421	60480	60548	60616	
	S/T	0.50	0.57	0.67	0.76	0.53	0.60	0.71	0.81	0.56	0.64	0.75	0.86	0.97	1.00	1.00	1.00	
	PI	3.41	3.42	3.42	3.43	3.62	3.62	3.63	3.63	3.83	3.84	3.84	4.06	4.06	4.07	4.07	4.08	
77	TC	48718	48784	48838	48904	51654	51711	51769	51826	54540	54606	54673	57554	57625	57684	57751	57819	
	S/T	0.51	0.59	0.69	0.78	0.54	0.62	0.73	0.83	0.58	0.66	0.77	0.88	1.00	1.00	1.00	1.00	
	PI	3.60	3.60	3.60	3.61	3.81	3.82	3.82	3.83	4.04	4.05	4.05	4.28	4.28	4.29	4.29	4.30	
86	TC	47789	47853	47907	47972	50667	50724	50781	50839	53552	53619	53685	56567	56637	56696	56764	56832	
	S/T	0.52	0.59	0.69	0.79	0.55	0.63	0.74	0.84	0.59	0.67	0.78	0.89	1.00	1.00	1.00	1.00	
	PI	4.06	4.06	4.07	4.07	4.30	4.31	4.31	4.32	4.56	4.56	4.57	4.83	4.83	4.84	4.84	4.85	
95	TC	45550	45611	45662	45724	48288	48345	48402	48460	51173	51240	51306	54188	54258	54317	54385	54452	
	S/T	0.53	0.61	0.71	0.81	0.57	0.65	0.75	0.86	0.60	0.68	0.80	0.91	0.64	0.74	0.85	0.97	
	PI	4.30	4.31	4.31	4.32	4.56	4.57	4.57	4.58	4.84	4.84	4.85	5.12	5.13	5.13	5.14	5.15	
104	TC	38836	38888	38932	38984	41153	41210	41268	41325	44039	44105	44172	47053	47124	47183	47250	47318	
	S/T	0.56	0.64	0.75	0.85	0.59	0.68	0.79	0.90	0.63	0.72	0.84	0.96	1.00	1.00	1.00	1.00	
	PI	4.35	4.36	4.36	4.37	4.61	4.62	4.63	4.63	4.89	4.90	4.90	5.18	5.18	5.19	5.19	5.20	
115	TC	33055	33100	33137	33182	35011	35068	35125	35183	37896	37963	38029	40911	40981	41040	41108	41175	
	S/T	0.57	0.65	0.76	0.86	0.60	0.69	0.80	0.91	0.64	0.73	0.85	0.97	1.00	1.00	1.00	1.00	
	PI	4.40	4.41	4.41	4.42	4.67	4.67	4.68	4.68	4.95	4.95	4.96	5.23	5.24	5.24	5.25	5.26	
122	TC	28079	28117	28148	28186	29722	29780	29837	29894	32608	32674	32741	35622	35693	35752	35819	35887	
	S/T	0.59	0.67	0.78	0.89	0.62	0.71	0.83	0.95	0.66	0.75	0.88	1.00	1.00	1.00	1.00	1.00	
	PI	4.45	4.46	4.46	4.47	4.72	4.73	4.73	4.74	5.00	5.01	5.02	5.30	5.30	5.31	5.32	5.32	

PERFORMANCE DUCTED 48K HH (Sheet 4 of 4)

AIRFLOW (CFM)	OUTDOOR DB °F	ID WB(°F) ID DB(°F)	60.8				64.4				66.2				71.6			
			73.4	77.0	80.6	84.2	73.4	77.0	80.6	84.2	73.4	77.0	80.6	84.2	73.4	77.0	80.6	84.2
			TC	46164	46227	46278	46341	48939	48997	49055	49113	51863	51931	51998	54919	54990	55050	55118
S/T	0.48	0.55	0.64	0.73	0.51	0.58	0.68	0.77	0.54	0.61	0.72	0.82	0.93	1.00	1.00	1.00		
PI	2.69	2.69	2.69	2.70	2.85	2.85	2.86	2.86	3.02	3.02	3.03	3.20	3.20	3.21	3.21	3.21		
-10	TC	46082	46144	46196	46258	48852	48910	48968	49026	51771	51838	51906	54821	54892	54952	55020	55089	
	S/T	0.48	0.55	0.64	0.73	0.51	0.58	0.68	0.78	0.54	0.62	0.72	0.82	0.94	1.00	1.00	1.00	
	PI	2.74	2.75	2.75	2.75	2.91	2.91	2.91	2.92	3.08	3.08	3.09	3.26	3.27	3.27	3.27	3.28	
0	TC	46014	46075	46127	46189	48779	48837	48895	48953	51694	51761	51829	54739	54810	54870	54938	55007	
	S/T	0.48	0.55	0.65	0.74	0.51	0.59	0.69	0.78	0.54	0.62	0.73	0.83	0.94	1.00	1.00	1.00	
	PI	2.79	2.79	2.79	2.80	2.95	2.96	2.96	2.96	3.13	3.13	3.14	3.31	3.32	3.32	3.33	3.33	
5	TC	45979	46041	46093	46155	48743	48801	48858	48916	51656	51723	51790	54698	54770	54829	54897	54966	
	S/T	0.49	0.55	0.65	0.74	0.52	0.59	0.69	0.78	0.55	0.62	0.73	0.83	0.95	1.00	1.00	1.00	
	PI	2.81	2.81	2.82	2.82	2.98	2.98	2.98	2.99	3.16	3.16	3.16	3.34	3.35	3.35	3.35	3.36	
14	TC	45918	45979	46031	46093	48677	48735	48793	48851	51586	51653	51720	54625	54696	54756	54824	54892	
	S/T	0.49	0.56	0.65	0.74	0.52	0.59	0.69	0.79	0.55	0.63	0.73	0.83	0.95	1.00	1.00	1.00	
	PI	2.85	2.85	2.86	2.86	3.02	3.02	3.03	3.03	3.20	3.20	3.21	3.39	3.39	3.40	3.40	3.41	
23	TC	47948	48012	48066	48131	50829	50890	50950	51010	53867	53937	54007	57040	57114	57176	57247	57319	
	S/T	0.49	0.56	0.65	0.75	0.52	0.59	0.69	0.79	0.55	0.63	0.74	0.84	0.96	1.00	1.00	1.00	
	PI	2.74	2.74	2.75	2.75	2.90	2.91	2.91	2.91	3.08	3.08	3.09	3.26	3.26	3.27	3.27	3.28	
32	TC	51023	51092	51149	51218	54090	54154	54218	54283	57322	57397	57471	60699	60778	60844	60920	60995	
	S/T	0.49	0.56	0.66	0.75	0.52	0.60	0.70	0.80	0.55	0.63	0.74	0.84	0.96	1.00	1.00	1.00	
	PI	2.56	2.56	2.56	2.57	2.71	2.71	2.72	2.72	2.87	2.88	2.88	3.04	3.05	3.05	3.05	3.06	
41	TC	54597	54671	54732	54806	57879	57947	58016	58085	61337	61417	61497	64951	65035	65106	65187	65268	
	S/T	0.50	0.57	0.66	0.75	0.53	0.60	0.70	0.80	0.56	0.64	0.74	0.85	0.97	1.00	1.00	1.00	
	PI	2.75	2.75	2.75	2.76	2.91	2.92	2.92	2.92	3.09	3.09	3.10	3.27	3.27	3.28	3.28	3.29	
50	TC	56313	56389	56452	56529	59698	59769	59840	59911	63265	63348	63430	66992	67079	67152	67236	67319	
	S/T	0.50	0.57	0.66	0.76	0.53	0.60	0.70	0.80	0.56	0.64	0.75	0.85	0.97	1.00	1.00	1.00	
	PI	3.06	3.07	3.07	3.07	3.25	3.25	3.25	3.26	3.44	3.44	3.45	3.64	3.65	3.65	3.66	3.66	
59	TC	53816	53888	53949	54022	57050	57118	57186	57254	60460	60538	60617	64021	64104	64174	64254	64334	
	S/T	0.50	0.57	0.67	0.76	0.53	0.61	0.71	0.81	0.56	0.64	0.75	0.86	0.98	1.00	1.00	1.00	
	PI	3.25	3.25	3.26	3.26	3.44	3.45	3.45	3.45	3.65	3.65	3.66	3.86	3.87	3.87	3.88	3.88	
68	TC	51319	51388	51445	51515	54403	54467	54532	54597	57654	57729	57804	61050	61129	61196	61272	61348	
	S/T	0.50	0.57	0.67	0.77	0.53	0.61	0.71	0.81	0.57	0.64	0.75	0.86	0.98	1.00	1.00	1.00	
	PI	3.43	3.44	3.44	3.45	3.64	3.64	3.65	3.65	3.86	3.86	3.87	4.08	4.09	4.09	4.10	4.10	
77	TC	48821	48887	48942	49008	51755	51817	51878	51940	54848	54919	54991	58079	58155	58218	58290	58363	
	S/T	0.52	0.59	0.69	0.79	0.55	0.62	0.73	0.83	0.58	0.66	0.77	0.88	1.00	1.00	1.00	1.00	
	PI	3.62	3.62	3.63	3.63	3.83	3.84	3.84	3.85	4.06	4.07	4.07	4.30	4.31	4.31	4.32	4.32	
86	TC	47939	48004	48058	48123	50821	50881	50941	51002	53858	53928	53998	57030	57104	57166	57238	57309	
	S/T	0.52	0.60	0.70	0.80	0.56	0.63	0.74	0.84	0.59	0.67	0.78	0.89	1.00	1.00	1.00	1.00	
	PI	4.08	4.09	4.09	4.10	4.33	4.33	4.34	4.34	4.58	4.59	4.60	4.85	4.86	4.87	4.87	4.88	
95	TC	45815	45876	45928	45990	48568	48626	48684	48741	51471	51538	51605	54503	54574	54633	54701	54769	
	S/T	0.54	0.61	0.72	0.82	0.57	0.65	0.76	0.87	0.60	0.69	0.80	0.92	1.00	1.00	1.00	1.00	
	PI	4.33	4.33	4.34	4.35	4.59	4.59	4.60	4.61	4.86	4.87	4.88	5.15	5.16	5.16	5.17	5.18	
104	TC	39444	39497	39541	39595	41815	41864	41914	41964	44313	44371	44429	46924	46985	47036	47094	47153	
	S/T	0.56	0.64	0.75	0.86	0.60	0.68	0.80	0.91	0.63	0.72	0.84	0.96	1.00	1.00	1.00	1.00	
	PI	4.38	4.38	4.39	4.40	4.64	4.65	4.65	4.66	4.92	4.93	4.93	5.21	5.22	5.22	5.23	5.23	
115	TC	33959	34005	34043	34089	36000	36043	36085	36128	38151	38201	38250	40399	40451	40495	40546	40596	
	S/T	0.57	0.65	0.76	0.87	0.60	0.69	0.81	0.92	0.64	0.73	0.85	0.97	1.00	1.00	1.00	1.00	
	PI	4.43	4.43	4.44	4.45	4.69	4.70	4.71	4.71	4.97	4.98	4.99	5.27	5.27	5.28	5.29	5.29	
122	TC	29237	29276	29309	29348	30994	31031	31067	31104	32846	32889	32931	34781	34826	34864	34907	34951	
	S/T	0.59	0.67	0.79	0.90	0.63	0.71	0.84	0.95	0.66	0.75	0.89	1.00	1.00	1.00	1.00	1.00	
	PI	4.48	4.48	4.49	4.50	4.75	4.75	4.76	4.76	5.03	5.04	5.04	5.33	5.33	5.34	5.35	5.35	

NOTE: Data highlighted in gray is extrapolated data and not actual test data. At 77°F outdoor conditions sweat protection activates causing a decrease in total capacity.

LEGEND

- TC - Total Net Capacity (Btu/hour)
- S/T: Sensible Cooling Capacity Ratio
- PI: Power Input (kW)
- Extrapolated Data

HEATING PERFORMANCE DUCTED

HEATING PERFORMANCE 18K

AIRFLOW (CFM)	OUTDOOR DB (°F)	TC:TOTAL CAPACITY IN BTU/HR				PI:TOTAL POWER IN KILOWATTS			
		INDOOR CONDITIONS (DB °F)				INDOOR CONDITIONS (DB °F)			
		60.8	68.0	71.6	75.2	60.8	68.00	71.6	75.2
Low	-22.0	1213	1238	1263	1276	1.70	1.71	1.72	1.73
	-10.0	2923	2983	3044	3074	1.71	1.72	1.73	1.73
	0.0	4348	4437	4527	4573	1.72	1.72	1.73	1.74
	5.0	5060	5163	5269	5322	1.72	1.73	1.74	1.74
	14.0	6343	6472	6604	6671	1.72	1.73	1.74	1.75
	17.0	6770	6908	7049	7120	1.73	1.73	1.74	1.75
	22.0	7316	7465	7617	7694	1.73	1.74	1.75	1.76
	27.0	7862	8022	8186	8269	1.74	1.75	1.76	1.77
	32.0	8408	8579	8754	8843	1.75	1.75	1.76	1.77
	37.0	8953	9136	9323	9417	1.75	1.76	1.77	1.78
	42.0	9759	9958	10161	10264	1.85	1.86	1.87	1.88
	44.6	10081	10287	10497	10603	1.89	1.90	1.90	1.91
	52.0	11370	11602	11839	11959	2.04	2.05	2.06	2.07
	57.0	12176	12425	12678	12806	2.13	2.15	2.16	2.17
	62.0	12982	13247	13517	13654	2.23	2.24	2.25	2.26
64.4	13304	13576	13853	13993	2.27	2.28	2.29	2.30	
Med	-22.0	1810	1847	1885	1904	1.72	1.73	1.74	1.74
	-10.0	4361	4450	4540	4586	1.73	1.73	1.74	1.75
	0.0	6486	6619	6754	6822	1.73	1.74	1.75	1.76
	5.0	7549	7703	7860	7940	1.74	1.74	1.75	1.76
	14.0	9462	9655	9852	9952	1.74	1.75	1.76	1.77
	17.0	10100	10306	10516	10622	1.74	1.75	1.76	1.77
	22.0	10914	11137	11364	11479	1.75	1.76	1.77	1.78
	27.0	11728	11968	12212	12335	1.76	1.77	1.77	1.78
	32.0	12543	12799	13060	13192	1.76	1.77	1.78	1.79
	37.0	13357	13630	13908	14048	1.77	1.78	1.79	1.80
	42.0	14559	14856	15159	15312	1.87	1.88	1.89	1.89
	44.6	15040	15347	15660	15818	1.91	1.91	1.92	1.93
	52.0	16963	17309	17662	17841	2.06	2.07	2.08	2.09
	57.0	18165	18535	18914	19105	2.16	2.17	2.18	2.19
	62.0	19367	19762	20165	20369	2.25	2.26	2.28	2.29
64.4	19847	20252	20666	20875	2.29	2.30	2.31	2.33	
High	-22.0	2700	2755	2811	2840	1.74	1.74	1.75	1.76
	-10.0	6505	6638	6774	6842	1.74	1.75	1.76	1.77
	0.0	9676	9874	10075	10177	1.75	1.76	1.77	1.78
	5.0	11262	11492	11726	11845	1.75	1.76	1.77	1.78
	14.0	14116	14404	14698	14846	1.76	1.77	1.78	1.79
	17.0	15067	15374	15688	15847	1.76	1.77	1.78	1.79
	22.0	16282	16614	16953	17124	1.77	1.78	1.79	1.79
	27.0	17497	17854	18218	18402	1.77	1.78	1.79	1.80
	32.0	18711	19093	19483	19680	1.78	1.79	1.80	1.81
	37.0	19926	20333	20748	20957	1.79	1.80	1.81	1.81
	42.0	21719	22163	22615	22843	1.89	1.89	1.90	1.91
	44.6	22437	22895	23362	23598	1.92	1.93	1.94	1.95
	52.0	25306	25822	26349	26615	2.08	2.09	2.10	2.11
	57.0	27099	27652	28216	28501	2.18	2.19	2.20	2.21
	62.0	28892	29481	30083	30387	2.28	2.29	2.30	2.31
64.4	29609	30213	30830	31141	2.31	2.33	2.34	2.35	
Turbo	-22.0	2663	2717	2773	2801	1.75	1.76	1.77	1.78
	-10.0	6416	6547	6681	6748	1.76	1.77	1.78	1.79
	0.0	9544	9738	9937	10037	1.77	1.78	1.79	1.79
	5.0	11107	11334	11565	11682	1.77	1.78	1.79	1.80
	14.0	13922	14206	14496	14643	1.78	1.79	1.79	1.80
	17.0	14860	15164	15473	15629	1.78	1.79	1.80	1.81
	22.0	16058	16386	16721	16890	1.79	1.79	1.80	1.81
	27.0	17257	17609	17968	18150	1.79	1.80	1.81	1.82
	32.0	18455	18831	19216	19410	1.80	1.81	1.82	1.83
	37.0	19653	20054	20463	20670	1.81	1.81	1.82	1.83
	42.0	21422	21859	22305	22530	1.90	1.91	1.92	1.93
	44.6	22129	22581	23041	23274	1.94	1.95	1.96	1.97
	52.0	24958	25468	25988	26250	2.10	2.11	2.12	2.13
	57.0	26727	27272	27829	28110	2.20	2.21	2.22	2.23
	62.0	28495	29077	29670	29970	2.30	2.31	2.32	2.33
64.4	29203	29799	30407	30714	2.34	2.35	2.36	2.37	

HEATING PERFORMANCE DUCTED

HEATING PERFORMANCE 24K

AIRFLOW (CFM)	OUTDOOR DB (°F)	TC:TOTAL CAPACITY IN BTU/HR				PI:TOTAL POWER IN KILOWATTS			
		INDOOR CONDITIONS (DB °F)				INDOOR CONDITIONS (DB °F)			
		60.8	68.0	71.6	75.2	60.8	68.00	71.6	75.2
Low	-22.0	4446	4537	4630	4677	2.84	2.85	2.86	2.88
	-10.0	6817	6956	7098	7170	2.77	2.79	2.80	2.82
	0.0	8793	8972	9156	9248	2.72	2.74	2.75	2.77
	5.0	9781	9980	10184	10287	2.70	2.71	2.73	2.74
	14.0	11559	11795	12036	12157	2.65	2.67	2.68	2.69
	17.0	12152	12400	12653	12781	2.64	2.65	2.67	2.68
	22.0	12571	12828	13089	13222	2.61	2.63	2.64	2.65
	27.0	12990	13256	13526	13663	2.59	2.60	2.62	2.63
	32.0	13410	13683	13963	14104	2.57	2.58	2.59	2.60
	37.0	13829	14111	14399	14545	2.54	2.55	2.57	2.58
	42.0	14671	14971	15276	15430	2.64	2.66	2.67	2.68
	44.6	15008	15314	15627	15785	2.68	2.70	2.71	2.72
	52.0	16356	16689	17030	17202	2.85	2.86	2.88	2.89
	57.0	17198	17549	17907	18088	2.95	2.96	2.98	2.99
62.0	18040	18408	18784	18973	3.05	3.07	3.08	3.10	
64.4	18377	18752	19134	19328	3.09	3.11	3.12	3.14	
Med	-22.0	6633	6769	6907	6977	2.86	2.88	2.89	2.91
	-10.0	10170	10378	10590	10697	2.80	2.82	2.83	2.85
	0.0	13118	13385	13659	13797	2.75	2.77	2.78	2.79
	5.0	14591	14889	15193	15346	2.73	2.74	2.75	2.77
	14.0	17244	17596	17955	18136	2.68	2.69	2.71	2.72
	17.0	18128	18498	18876	19066	2.67	2.68	2.69	2.71
	22.0	18754	19137	19527	19724	2.64	2.65	2.67	2.68
	27.0	19379	19775	20179	20382	2.62	2.63	2.64	2.66
	32.0	20005	20413	20830	21040	2.59	2.60	2.62	2.63
	37.0	20631	21052	21481	21698	2.57	2.58	2.59	2.61
	42.0	21887	22334	22789	23020	2.67	2.68	2.70	2.71
	44.6	22390	22846	23313	23548	2.71	2.72	2.74	2.75
	52.0	24400	24898	25406	25662	2.88	2.89	2.90	2.92
	57.0	25656	26180	26714	26984	2.98	2.99	3.01	3.02
62.0	26912	27462	28022	28305	3.08	3.10	3.11	3.13	
64.4	27415	27974	28545	28834	3.12	3.14	3.15	3.17	
High	-22.0	9896	10098	10304	10408	2.89	2.91	2.92	2.94
	-10.0	15172	15482	15798	15957	2.83	2.85	2.86	2.87
	0.0	19569	19969	20376	20582	2.78	2.79	2.81	2.82
	5.0	21768	22212	22665	22894	2.75	2.77	2.78	2.80
	14.0	25725	26250	26786	27057	2.71	2.72	2.74	2.75
	17.0	27044	27596	28159	28444	2.69	2.71	2.72	2.73
	22.0	27978	28549	29131	29425	2.67	2.68	2.69	2.71
	27.0	28911	29501	30103	30407	2.64	2.66	2.67	2.68
	32.0	29844	30453	31075	31389	2.62	2.63	2.64	2.66
	37.0	30777	31406	32047	32370	2.59	2.61	2.62	2.63
	42.0	32652	33318	33998	34341	2.70	2.71	2.72	2.74
	44.6	33401	34083	34779	35130	2.74	2.75	2.77	2.78
	52.0	36400	37143	37901	38284	2.90	2.92	2.93	2.95
	57.0	38274	39056	39853	40255	3.01	3.02	3.04	3.05
62.0	40149	40968	41804	42226	3.11	3.13	3.14	3.16	
64.4	40898	41733	42585	43015	3.15	3.17	3.19	3.20	
Turbo	-22.0	9760	9959	10163	10265	2.92	2.94	2.95	2.97
	-10.0	14964	15270	15581	15739	2.86	2.87	2.89	2.90
	0.0	19301	19695	20097	20300	2.81	2.82	2.84	2.85
	5.0	21469	21907	22355	22580	2.78	2.80	2.81	2.82
	14.0	25372	25890	26419	26685	2.73	2.75	2.76	2.78
	17.0	26673	27218	27773	28054	2.72	2.73	2.75	2.76
	22.0	27594	28157	28732	29022	2.69	2.71	2.72	2.74
	27.0	28514	29096	29690	29990	2.67	2.68	2.70	2.71
	32.0	29435	30036	30649	30958	2.64	2.66	2.67	2.68
	37.0	30355	30975	31607	31926	2.62	2.63	2.65	2.66
	42.0	32204	32861	33532	33870	2.72	2.74	2.75	2.77
	44.6	32943	33616	34302	34648	2.77	2.78	2.79	2.81
	52.0	35901	36634	37381	37759	2.93	2.95	2.96	2.98
	57.0	37749	38520	39306	39703	3.04	3.05	3.07	3.08
62.0	39598	40406	41231	41647	3.14	3.16	3.17	3.19	
64.4	40337	41161	42001	42425	3.18	3.20	3.22	3.23	

HEATING PERFORMANCE DUCTED

HEATING PERFORMANCE 30K

AIRFLOW (CFM)	OUTDOOR DB (°F)	TC:TOTAL CAPACITY IN BTU/HR				PI:TOTAL POWER IN KILOWATTS			
		INDOOR CONDITIONS (DB °F)				INDOOR CONDITIONS (DB°F)			
		60.8	68.0	71.6	75.2	60.8	68.00	71.6	75.2
Low	-22.0	7816	7976	8138	8221	4.53	4.55	4.57	4.59
	-10.0	9167	9354	9545	9641	4.33	4.35	4.37	4.39
	0.0	10292	10502	10717	10825	4.16	4.18	4.20	4.23
	5.0	10855	11077	11303	11417	4.08	4.10	4.12	4.14
	14.0	11868	12110	12357	12482	3.93	3.95	3.97	3.99
	17.0	12206	12455	12709	12837	3.88	3.90	3.92	3.94
	22.0	12972	13237	13507	13644	3.87	3.89	3.91	3.93
	27.0	13739	14019	14305	14450	3.86	3.88	3.90	3.91
	32.0	14505	14801	15103	15256	3.84	3.86	3.88	3.90
	37.0	15272	15583	15901	16062	3.83	3.85	3.87	3.89
	42.0	16534	16872	17216	17390	3.99	4.01	4.03	4.05
	44.6	17040	17387	17742	17921	4.06	4.08	4.10	4.12
	52.0	19060	19449	19846	20046	4.32	4.34	4.36	4.39
	57.0	20323	20737	21161	21374	4.48	4.51	4.53	4.55
	62.0	21585	22026	22475	22702	4.65	4.67	4.69	4.72
64.4	22090	22541	23001	23234	4.71	4.74	4.76	4.78	
Med	-22.0	11660	11898	12141	12264	4.57	4.59	4.62	4.64
	-10.0	13675	13954	14239	14383	4.37	4.39	4.42	4.44
	0.0	15354	15668	15987	16149	4.20	4.23	4.25	4.27
	5.0	16194	16524	16862	17032	4.12	4.14	4.16	4.18
	14.0	17705	18067	18435	18621	3.97	3.99	4.01	4.03
	17.0	18209	18581	18960	19151	3.92	3.94	3.96	3.98
	22.0	19352	19747	20150	20354	3.91	3.93	3.95	3.97
	27.0	20496	20914	21341	21557	3.90	3.92	3.93	3.95
	32.0	21639	22081	22532	22759	3.88	3.90	3.92	3.94
	37.0	22783	23248	23722	23962	3.87	3.89	3.91	3.93
	42.0	24667	25170	25684	25943	4.03	4.05	4.07	4.10
	44.6	25420	25939	26468	26736	4.10	4.12	4.14	4.16
	52.0	28434	29014	29607	29906	4.36	4.39	4.41	4.43
	57.0	30318	30937	31568	31887	4.53	4.55	4.57	4.60
	62.0	32202	32859	33529	33868	4.69	4.72	4.74	4.76
64.4	32955	33628	34314	34661	4.76	4.78	4.81	4.83	
High	-22.0	17395	17750	18112	18295	4.62	4.64	4.66	4.69
	-10.0	20401	20817	21242	21457	4.42	4.44	4.46	4.48
	0.0	22906	23374	23851	24092	4.25	4.27	4.29	4.31
	5.0	24159	24652	25155	25409	4.16	4.18	4.21	4.23
	14.0	26413	26952	27502	27780	4.01	4.03	4.05	4.07
	17.0	27165	27719	28285	28570	3.96	3.98	4.00	4.02
	22.0	28871	29460	30061	30365	3.95	3.97	3.99	4.01
	27.0	30576	31200	31837	32159	3.93	3.95	3.97	3.99
	32.0	32282	32941	33613	33953	3.92	3.94	3.96	3.98
	37.0	33988	34682	35390	35747	3.91	3.93	3.95	3.97
	42.0	36798	37549	38316	38703	4.07	4.10	4.12	4.14
	44.6	37923	38696	39486	39885	4.14	4.16	4.18	4.20
	52.0	42419	43285	44168	44614	4.41	4.43	4.45	4.47
	57.0	45229	46152	47094	47570	4.57	4.60	4.62	4.64
	62.0	48039	49020	50020	50526	4.74	4.76	4.79	4.81
64.4	49164	50167	51191	51708	4.81	4.83	4.86	4.88	
Turbo	-22.0	17156	17507	17864	18044	4.66	4.69	4.71	4.73
	-10.0	20121	20532	20951	21163	4.46	4.48	4.50	4.53
	0.0	22592	23053	23524	23761	4.29	4.31	4.33	4.35
	5.0	23827	24314	24810	25060	4.20	4.23	4.25	4.27
	14.0	26051	26583	27125	27399	4.05	4.07	4.09	4.11
	17.0	26792	27339	27897	28179	4.00	4.02	4.04	4.06
	22.0	28475	29056	29649	29948	3.99	4.01	4.03	4.05
	27.0	30157	30773	31401	31718	3.97	3.99	4.01	4.03
	32.0	31840	32489	33152	33487	3.96	3.98	4.00	4.02
	37.0	33522	34206	34904	35257	3.95	3.97	3.99	4.01
	42.0	36294	37034	37790	38172	4.12	4.14	4.16	4.18
	44.6	37402	38166	38945	39338	4.18	4.20	4.23	4.25
	52.0	41837	42691	43562	44002	4.45	4.47	4.50	4.52
	57.0	44609	45519	46448	46917	4.62	4.64	4.67	4.69
	62.0	47381	48348	49334	49833	4.79	4.81	4.84	4.86
64.4	48489	49479	50489	50999	4.86	4.88	4.90	4.93	

HEATING PERFORMANCE DUCTED

HEATING PERFORMANCE 36K

AIRFLOW (CFM)	OUTDOOR DB (°F)	TC:TOTAL CAPACITY IN BTU/HR				PI:TOTAL POWER IN KILOWATTS			
		INDOOR CONDITIONS (DB °F)				INDOOR CONDITIONS (DB °F)			
		60.8	68.0	71.6	75.2	60.8	68.00	71.6	75.2
Low	-22.0	5284	5392	5502	5558	4.20	4.22	4.24	4.26
	-10.0	8169	8335	8506	8591	4.12	4.14	4.16	4.18
	0.0	10573	10788	11009	11120	4.05	4.07	4.09	4.11
	5.0	11775	12015	12260	12384	4.02	4.04	4.06	4.08
	14.0	13938	14223	14513	14659	3.96	3.98	4.00	4.02
	17.0	14659	14958	15264	15418	3.94	3.96	3.98	4.00
	22.0	15062	15370	15683	15842	3.87	3.89	3.91	3.93
	27.0	15465	15781	16103	16266	3.81	3.82	3.84	3.86
	32.0	15868	16192	16523	16690	3.74	3.76	3.78	3.79
	37.0	16271	16604	16942	17114	3.67	3.69	3.71	3.73
	42.0	17190	17541	17899	18080	3.85	3.87	3.89	3.91
	44.6	17558	17916	18282	18467	3.92	3.94	3.96	3.98
	52.0	19028	19417	19813	20013	4.20	4.22	4.24	4.26
	57.0	19947	20354	20770	20980	4.38	4.40	4.42	4.44
62.0	20866	21292	21727	21946	4.55	4.58	4.60	4.62	
64.4	21234	21667	22109	22333	4.62	4.65	4.67	4.69	
Med	-22.0	7883	8044	8208	8291	4.24	4.26	4.28	4.30
	-10.0	12186	12435	12689	12817	4.16	4.18	4.20	4.22
	0.0	15773	16094	16423	16589	4.09	4.11	4.13	4.15
	5.0	17566	17924	18290	18475	4.06	4.08	4.10	4.12
	14.0	20793	21218	21651	21869	4.00	4.02	4.04	4.06
	17.0	21869	22315	22771	23001	3.98	4.00	4.02	4.04
	22.0	22470	22929	23397	23633	3.91	3.93	3.95	3.97
	27.0	23072	23543	24023	24266	3.84	3.86	3.88	3.90
	32.0	23673	24156	24649	24898	3.78	3.79	3.81	3.83
	37.0	24274	24770	25275	25530	3.71	3.73	3.75	3.76
	42.0	25645	26169	26703	26972	3.89	3.91	3.93	3.95
	44.6	26194	26728	27274	27549	3.96	3.98	4.00	4.02
	52.0	28387	28966	29558	29856	4.24	4.26	4.29	4.31
	57.0	29758	30365	30985	31298	4.42	4.44	4.47	4.49
62.0	31129	31764	32413	32740	4.60	4.62	4.65	4.67	
64.4	31677	32324	32983	33317	4.67	4.69	4.72	4.74	
High	-22.0	11760	12000	12245	12369	4.28	4.30	4.32	4.35
	-10.0	18180	18551	18930	19121	4.20	4.22	4.24	4.26
	0.0	23530	24010	24500	24748	4.13	4.15	4.18	4.20
	5.0	26205	26740	27286	27561	4.10	4.12	4.14	4.16
	14.0	31020	31653	32299	32625	4.04	4.06	4.08	4.10
	17.0	32625	33291	33970	34313	4.02	4.04	4.06	4.08
	22.0	33522	34206	34904	35257	3.95	3.97	3.99	4.01
	27.0	34419	35122	35838	36200	3.88	3.90	3.92	3.94
	32.0	35316	36037	36772	37144	3.81	3.83	3.85	3.87
	37.0	36213	36952	37706	38087	3.75	3.76	3.78	3.80
	42.0	38258	39039	39836	40238	3.93	3.95	3.96	3.98
	44.6	39076	39874	40688	41099	4.00	4.02	4.04	4.06
	52.0	42349	43213	44095	44540	4.29	4.31	4.33	4.35
	57.0	44394	45300	46224	46691	4.47	4.49	4.51	4.53
62.0	46439	47387	48354	48842	4.65	4.67	4.69	4.72	
64.4	47257	48222	49206	49703	4.72	4.74	4.77	4.79	
Turbo	-22.0	11599	11835	12077	12199	4.32	4.35	4.37	4.39
	-10.0	17931	18297	18670	18859	4.24	4.26	4.29	4.31
	0.0	23207	23681	24164	24408	4.18	4.20	4.22	4.24
	5.0	25846	26373	26911	27183	4.14	4.16	4.18	4.20
	14.0	30595	31219	31856	32178	4.08	4.10	4.12	4.14
	17.0	32178	32834	33504	33843	4.06	4.08	4.10	4.12
	22.0	33062	33737	34426	34773	3.99	4.01	4.03	4.05
	27.0	33947	34640	35347	35704	3.92	3.94	3.96	3.98
	32.0	34832	35543	36268	36634	3.85	3.87	3.89	3.91
	37.0	35716	36445	37189	37565	3.78	3.80	3.82	3.84
	42.0	37734	38504	39289	39686	3.96	3.98	4.00	4.02
	44.6	38540	39327	40130	40535	4.04	4.06	4.08	4.10
	52.0	41768	42620	43490	43929	4.33	4.35	4.37	4.39
	57.0	43785	44679	45590	46051	4.51	4.53	4.56	4.58
62.0	45802	46737	47691	48172	4.69	4.72	4.74	4.76	
64.4	46609	47560	48531	49021	4.76	4.79	4.81	4.84	

HEATING PERFORMANCE DUCTED

HEATING PERFORMANCE 36K HH

AIRFLOW (CFM)	OUTDOOR DB (°F)	TC:TOTAL CAPACITY IN BTU/HR				PI:TOTAL POWER IN KILOWATTS			
		INDOOR CONDITIONS (DB °F)				INDOOR CONDITIONS (DB °F)			
		60.8	68.0	71.6	75.2	60.8	68.00	71.6	75.2
Low	-22.0	12767	13027	13293	13427	4.51	4.54	4.56	4.58
	-10.0	13703	13982	14268	14412	4.63	4.66	4.68	4.70
	0.0	14483	14778	15080	15232	4.73	4.76	4.78	4.80
	5.0	14873	15176	15486	15642	4.78	4.80	4.83	4.85
	14.0	15575	15892	16217	16381	4.87	4.89	4.92	4.94
	17.0	15809	16131	16460	16627	4.90	4.92	4.95	4.97
	22.0	16479	16816	17159	17332	4.75	4.77	4.79	4.82
	27.0	17150	17500	17857	18038	4.59	4.62	4.64	4.66
	32.0	17821	18185	18556	18743	4.44	4.47	4.49	4.51
	37.0	18492	18869	19254	19449	4.29	4.31	4.33	4.36
	42.0	20088	20498	20917	21128	4.29	4.32	4.34	4.36
	44.6	20727	21150	21582	21800	4.30	4.32	4.34	4.36
	52.0	23282	23757	24242	24487	4.30	4.32	4.35	4.37
	57.0	24878	25386	25904	26166	4.31	4.33	4.35	4.37
62.0	26475	27015	27567	27845	4.31	4.33	4.35	4.38	
64.4	27114	27667	28232	28517	4.31	4.33	4.36	4.38	
Med	-22.0	19046	19434	19831	20031	4.56	4.58	4.61	4.63
	-10.0	20442	20859	21285	21500	4.68	4.70	4.73	4.75
	0.0	21606	22047	22496	22724	4.78	4.80	4.83	4.85
	5.0	22187	22640	23102	23336	4.83	4.85	4.88	4.90
	14.0	23235	23709	24193	24437	4.92	4.94	4.97	4.99
	17.0	23584	24065	24556	24804	4.95	4.97	5.00	5.02
	22.0	24584	25086	25598	25857	4.79	4.82	4.84	4.87
	27.0	25585	26107	26640	26909	4.64	4.66	4.69	4.71
	32.0	26586	27128	27682	27962	4.49	4.51	4.53	4.56
	37.0	27586	28149	28724	29014	4.33	4.36	4.38	4.40
	42.0	29968	30580	31204	31519	4.34	4.36	4.38	4.40
	44.6	30921	31552	32196	32521	4.34	4.36	4.38	4.41
	52.0	34732	35441	36165	36530	4.35	4.37	4.39	4.41
	57.0	37114	37872	38645	39035	4.35	4.37	4.39	4.42
62.0	39496	40303	41125	41540	4.35	4.38	4.40	4.42	
64.4	40449	41275	42117	42543	4.36	4.38	4.40	4.42	
High	-22.0	28413	28993	29584	29883	4.61	4.63	4.65	4.68
	-10.0	30496	31118	31753	32074	4.73	4.75	4.77	4.80
	0.0	32232	32890	33561	33900	4.83	4.85	4.88	4.90
	5.0	33100	33775	34465	34813	4.88	4.90	4.93	4.95
	14.0	34662	35370	36091	36456	4.97	4.99	5.02	5.04
	17.0	35183	35901	36634	37004	5.00	5.02	5.05	5.07
	22.0	36676	37424	38188	38574	4.84	4.87	4.89	4.92
	27.0	38169	38948	39742	40144	4.69	4.71	4.74	4.76
	32.0	39661	40471	41297	41714	4.53	4.56	4.58	4.60
	37.0	41154	41994	42851	43284	4.38	4.40	4.42	4.44
	42.0	44708	45620	46551	47021	4.38	4.40	4.43	4.45
	44.6	46129	47071	48031	48516	4.38	4.41	4.43	4.45
	52.0	51815	52872	53951	54496	4.39	4.41	4.43	4.46
	57.0	55368	56498	57651	58234	4.39	4.42	4.44	4.46
62.0	58922	60125	61352	61971	4.40	4.42	4.44	4.46	
64.4	60343	61575	62832	63466	4.40	4.42	4.44	4.47	
Turbo	-22.0	28023	28595	29179	29473	4.65	4.68	4.70	4.72
	-10.0	30078	30691	31318	31634	4.77	4.80	4.82	4.85
	0.0	31790	32439	33101	33435	4.88	4.90	4.92	4.95
	5.0	32646	33312	33992	34335	4.93	4.95	4.98	5.00
	14.0	34187	34885	35596	35956	5.02	5.04	5.07	5.09
	17.0	34700	35409	36131	36496	5.05	5.07	5.10	5.12
	22.0	36173	36911	37664	38045	4.89	4.92	4.94	4.97
	27.0	37645	38413	39197	39593	4.73	4.76	4.78	4.81
	32.0	39117	39916	40730	41142	4.58	4.60	4.62	4.65
	37.0	40590	41418	42263	42690	4.42	4.44	4.47	4.49
	42.0	44095	44994	45913	46376	4.43	4.45	4.47	4.49
	44.6	45496	46425	47372	47851	4.43	4.45	4.47	4.49
	52.0	51104	52147	53211	53749	4.43	4.46	4.48	4.50
	57.0	54609	55724	56861	57435	4.44	4.46	4.48	4.50
62.0	58114	59300	60510	61121	4.44	4.46	4.49	4.51	
64.4	59516	60730	61970	62596	4.44	4.47	4.49	4.51	

HEATING PERFORMANCE DUCTED

HEATING PERFORMANCE 48K

AIRFLOW (CFM)	OUTDOOR DB (°F)	TC:TOTAL CAPACITY IN BTU/HR				PI:TOTAL POWER IN KILOWATTS			
		INDOOR CONDITIONS (DB °F)				INDOOR CONDITIONS (DB°F)			
		60.8	68.0	71.6	75.2	60.8	68.00	71.6	75.2
Low	-22.0	9371	9562	9757	9856	5.07	5.10	5.12	5.15
	-10.0	11611	11848	12090	12212	5.01	5.03	5.06	5.08
	0.0	13478	13753	14034	14175	4.95	4.97	5.00	5.02
	5.0	14411	14705	15006	15157	4.92	4.95	4.97	5.00
	14.0	16091	16420	16755	16924	4.87	4.90	4.92	4.95
	17.0	16652	16991	17338	17513	4.85	4.88	4.90	4.93
	22.0	17531	17888	18253	18438	4.77	4.79	4.81	4.84
	27.0	18410	18785	19169	19362	4.68	4.70	4.72	4.75
	32.0	19289	19682	20084	20287	4.59	4.61	4.63	4.66
	37.0	20168	20580	21000	21212	4.50	4.52	4.54	4.57
	42.0	22131	22583	23043	23276	4.62	4.64	4.66	4.69
	44.6	22916	23384	23861	24102	4.66	4.69	4.71	4.73
	52.0	26057	26589	27131	27405	4.85	4.88	4.90	4.92
	57.0	28020	28592	29175	29470	4.97	4.99	5.02	5.04
62.0	29983	30595	31219	31534	5.09	5.11	5.14	5.16	
64.4	30768	31396	32036	32360	5.13	5.16	5.18	5.21	
Med	-22.0	13980	14265	14556	14704	5.12	5.15	5.18	5.20
	-10.0	17322	17675	18036	18218	5.06	5.08	5.11	5.13
	0.0	20107	20517	20936	21147	5.00	5.02	5.05	5.08
	5.0	21499	21938	22386	22612	4.97	5.00	5.02	5.05
	14.0	24006	24496	24996	25248	4.92	4.95	4.97	5.00
	17.0	24841	25348	25865	26127	4.90	4.93	4.95	4.98
	22.0	26153	26686	27231	27506	4.81	4.84	4.86	4.89
	27.0	27464	28025	28597	28885	4.72	4.75	4.77	4.80
	32.0	28776	29363	29962	30265	4.63	4.66	4.68	4.70
	37.0	30087	30701	31328	31644	4.54	4.57	4.59	4.61
	42.0	33016	33689	34377	34724	4.66	4.69	4.71	4.73
	44.6	34187	34885	35597	35956	4.71	4.73	4.76	4.78
	52.0	38872	39666	40475	40884	4.90	4.92	4.95	4.97
	57.0	41801	42654	43524	43964	5.02	5.04	5.07	5.09
62.0	44729	45642	46573	47044	5.14	5.16	5.19	5.21	
64.4	45900	46837	47793	48276	5.18	5.21	5.24	5.26	
High	-22.0	20856	21281	21716	21935	5.18	5.20	5.23	5.25
	-10.0	25841	26369	26907	27179	5.11	5.13	5.16	5.18
	0.0	29996	30608	31233	31548	5.05	5.08	5.10	5.13
	5.0	32073	32728	33396	33733	5.02	5.05	5.07	5.10
	14.0	35813	36543	37289	37666	4.97	5.00	5.02	5.05
	17.0	37059	37815	38587	38977	4.95	4.98	5.00	5.03
	22.0	39015	39812	40624	41034	4.86	4.89	4.91	4.94
	27.0	40972	41808	42661	43092	4.77	4.80	4.82	4.84
	32.0	42928	43805	44699	45150	4.68	4.70	4.73	4.75
	37.0	44885	45801	46736	47208	4.59	4.61	4.64	4.66
	42.0	49254	50259	51284	51802	4.71	4.73	4.76	4.78
	44.6	51001	52042	53104	53640	4.76	4.78	4.81	4.83
	52.0	57991	59174	60382	60992	4.95	4.97	5.00	5.02
	57.0	62359	63632	64931	65587	5.07	5.09	5.12	5.15
62.0	66728	68090	69479	70181	5.19	5.21	5.24	5.27	
64.4	68476	69873	71299	72019	5.24	5.26	5.29	5.32	
Turbo	-22.0	20570	20990	21418	21634	5.23	5.25	5.28	5.31
	-10.0	25487	26007	26538	26806	5.16	5.18	5.21	5.24
	0.0	29585	30188	30804	31116	5.10	5.13	5.15	5.18
	5.0	31633	32279	32938	33270	5.07	5.10	5.12	5.15
	14.0	35321	36042	36778	37149	5.02	5.05	5.07	5.10
	17.0	36551	37297	38058	38442	5.00	5.03	5.05	5.08
	22.0	38480	39266	40067	40472	4.91	4.94	4.96	4.99
	27.0	40410	41235	42076	42501	4.82	4.84	4.87	4.89
	32.0	42340	43204	44085	44531	4.73	4.75	4.77	4.80
	37.0	44269	45173	46095	46560	4.64	4.66	4.68	4.71
	42.0	48578	49569	50581	51092	4.76	4.78	4.80	4.83
	44.6	50302	51328	52376	52905	4.80	4.83	4.85	4.88
	52.0	57195	58363	59554	60155	5.00	5.02	5.05	5.07
	57.0	61504	62759	64040	64687	5.12	5.15	5.17	5.20
62.0	65813	67156	68527	69219	5.24	5.27	5.29	5.32	
64.4	67536	68915	70321	71031	5.29	5.32	5.34	5.37	

HEATING PERFORMANCE DUCTED

HEATING PERFORMANCE 48K HH

AIRFLOW (CFM)	OUTDOOR DB (°F)	TC:TOTAL CAPACITY IN BTU/HR				PI:TOTAL POWER IN KILOWATTS			
		INDOOR CONDITIONS (DB °F)				INDOOR CONDITIONS (DB °F)			
		60.8	68.0	71.6	75.2	60.8	68.00	71.6	75.2
Low	-22.0	19889	20294	20709	20918	8.61	8.66	8.70	8.74
	-10.0	20462	20880	21306	21521	7.89	7.93	7.97	8.01
	0.0	20941	21368	21804	22024	7.28	7.32	7.36	7.39
	5.0	21180	21612	22053	22276	6.98	7.02	7.05	7.09
	14.0	21610	22051	22501	22729	6.44	6.47	6.50	6.53
	17.0	21754	22198	22651	22880	6.25	6.29	6.32	6.35
	22.0	21972	22420	22878	23109	6.12	6.15	6.18	6.21
	27.0	22190	22643	23105	23339	5.98	6.01	6.04	6.07
	32.0	22408	22866	23332	23568	5.84	5.86	5.89	5.92
	37.0	22627	23088	23560	23798	5.70	5.72	5.75	5.78
	42.0	23765	24250	24745	24995	5.87	5.90	5.93	5.96
	44.6	24220	24715	25219	25474	5.94	5.97	6.00	6.03
	52.0	26042	26573	27116	27389	6.23	6.26	6.29	6.32
	57.0	27180	27735	28301	28587	6.40	6.43	6.47	6.50
62.0	28318	28896	29486	29784	6.58	6.61	6.65	6.68	
64.4	28774	29361	29960	30263	6.65	6.68	6.72	6.75	
Med	-22.0	29670	30276	30894	31206	8.70	8.74	8.79	8.83
	-10.0	30526	31149	31785	32106	7.97	8.01	8.05	8.09
	0.0	31240	31878	32528	32857	7.36	7.39	7.43	7.47
	5.0	31597	32242	32900	33232	7.05	7.09	7.12	7.16
	14.0	32239	32897	33568	33907	6.50	6.53	6.57	6.60
	17.0	32453	33115	33791	34132	6.32	6.35	6.38	6.41
	22.0	32778	33447	34130	34475	6.18	6.21	6.24	6.27
	27.0	33104	33780	34469	34817	6.04	6.07	6.10	6.13
	32.0	33430	34112	34808	35160	5.89	5.92	5.95	5.98
	37.0	33755	34444	35147	35502	5.75	5.78	5.81	5.84
	42.0	35453	36177	36915	37288	5.93	5.96	5.99	6.02
	44.6	36133	36870	37622	38003	6.00	6.03	6.06	6.09
	52.0	38850	39643	40452	40860	6.29	6.32	6.35	6.38
	57.0	40548	41376	42220	42646	6.47	6.50	6.53	6.56
62.0	42246	43109	43988	44433	6.65	6.68	6.71	6.75	
64.4	42926	43802	44696	45147	6.72	6.75	6.78	6.82	
High	-22.0	44263	45166	46088	46554	8.79	8.83	8.88	8.92
	-10.0	45540	46470	47418	47897	8.05	8.09	8.13	8.17
	0.0	46605	47556	48526	49017	7.43	7.47	7.51	7.54
	5.0	47137	48099	49081	49576	7.12	7.16	7.19	7.23
	14.0	48095	49077	50078	50584	6.57	6.60	6.63	6.67
	17.0	48414	49402	50411	50920	6.38	6.41	6.45	6.48
	22.0	48900	49898	50916	51431	6.24	6.27	6.30	6.33
	27.0	49386	50393	51422	51941	6.10	6.13	6.16	6.19
	32.0	49871	50889	51928	52452	5.95	5.98	6.01	6.04
	37.0	50357	51385	52433	52963	5.81	5.84	5.87	5.90
	42.0	52890	53970	55071	55627	5.99	6.02	6.05	6.08
	44.6	53904	55004	56126	56693	6.06	6.09	6.12	6.16
	52.0	57957	59140	60347	60957	6.35	6.38	6.42	6.45
	57.0	60491	61725	62985	63621	6.53	6.57	6.60	6.63
62.0	63024	64311	65623	66286	6.71	6.75	6.78	6.81	
64.4	64038	65345	66678	67352	6.78	6.82	6.85	6.89	
Turbo	-22.0	43656	44547	45456	45915	8.88	8.92	8.97	9.01
	-10.0	44916	45832	46768	47240	8.13	8.17	8.21	8.25
	0.0	45966	46904	47861	48344	7.50	7.54	7.58	7.62
	5.0	46490	47439	48407	48896	7.19	7.23	7.27	7.30
	14.0	47435	48403	49391	49890	6.63	6.67	6.70	6.73
	17.0	47750	48725	49719	50221	6.45	6.48	6.51	6.54
	22.0	48229	49214	50218	50725	6.30	6.33	6.37	6.40
	27.0	48708	49702	50717	51229	6.16	6.19	6.22	6.25
	32.0	49187	50191	51215	51733	6.01	6.04	6.07	6.10
	37.0	49666	50680	51714	52236	5.87	5.90	5.93	5.96
	42.0	52165	53230	54316	54865	6.05	6.08	6.11	6.14
	44.6	53164	54249	55357	55916	6.12	6.16	6.19	6.22
	52.0	57162	58329	59519	60121	6.42	6.45	6.48	6.51
	57.0	59661	60879	62121	62749	6.60	6.63	6.66	6.70
62.0	62160	63429	64723	65377	6.78	6.81	6.85	6.88	
64.4	63160	64448	65764	66428	6.85	6.89	6.92	6.96	

APPLICATION DATA

Unit Selection

When selecting a variable speed system, match the system capacity range to the anticipated load range. Since a variable speed system can accommodate a wide range of loads it is important to understand the percentage of time that the system will be required to run at both the maximum and the minimum load points. This differential is most evident when a residential application is compared with a commercial application.

Generally there is more load diversification in the residential application (shifting from a low load to a high load). The commercial application tends to be steadier during the normal day time hours, and will drop to low load levels after normal business hours. If it is anticipated that the system needs to run at the maximum load point for the majority of the time, the next larger system capacity should be selected.

The Application table below provides a guideline for selecting the appropriate size for the application.

NOTE: See the note on page 130 regarding selection of 30K or 36K Air Handling Units (AHUs) in multi-zone applications.

NOTE: Refer to the most current version of the compatibility chart for a list of the approved indoor units for each outdoor size.

	NO. ZONES	COOLING CAPACITY (BTU/H)					HEATING CAPACITY (BTU/H)				
		ZONE 1	ZONE 2	ZONE 3	ZONE 4	ZONE 5	ZONE 1	ZONE 2	ZONE 3	ZONE 4	ZONE 5
18K - Regular Heat											
6+6	2 - Zone	6,000	6,000				6,300	6,300			
6+9		6,000	9,000				6,300	9,500			
6+12		6,000	12,000				6,300	12,700			
9+9		9,000	9,000				9,500	9,500			
9+12		9,000	12,000				9,500	12,700			
12+12		11,200	11,200				11,800	11,800			
24K - High Heat											
6+6	2 - Zone	8,000	8,000				8,200	8,200			
6+9		6,400	9,500				6,500	9,700			
6+12		6,000	12,000				6,100	12,300			
6+18		6,000	18,000				6,100	18,400			
9+9		9,000	9,000				9,200	9,200			
9+12		9,000	12,000				9,200	12,300			
9+18		9,000	18,000				9,200	18,400			
12+12		12,000	12,000				12,300	12,300			
12+18		12,000	18,000				12,300	18,400			
18+18		15,600	15,600				15,900	15,900			
6+6+6	3 - Zone	6,000	6,000	6,000			6,100	6,100	6,100		
6+6+9		6,000	6,000	9,000			6,100	6,100	9,200		
6+6+12		6,000	6,000	12,000			6,100	6,100	12,300		
6+6+18		6,000	6,000	18,000			6,100	6,100	18,400		
6+9+9		6,000	9,000	9,000			6,100	9,200	9,200		
6+9+12		6,000	9,000	12,000			6,100	9,200	12,300		
6+9+18		5,700	8,500	17,000			5,800	8,700	17,400		
6+12+12		6,000	12,000	12,000			6,100	12,300	12,300		
9+9+9		9,000	9,000	9,000			9,200	9,200	9,200		
9+9+12		9,000	9,000	12,000			9,200	9,200	12,300		
9+9+18		7,800	7,800	15,600			8,000	8,000	15,900		
9+12+12		8,500	11,400	11,400			8,700	11,600	11,600		
12+12+12		10,400	10,400	10,400			10,600	10,600	10,600		
30K - High Heat											
6+9	2 - Zone	7,900	11,900				7,900	11,900			
6+12		6,600	13,200				6,600	13,200			
6+18		6,000	18,000				6,000	18,000			
6+24		6,000	24,000				6,000	24,000			
9+9		9,900	9,900				9,900	9,900			
9+12		9,000	12,000				9,000	12,000			
9+18		9,000	18,000				9,000	18,000			
9+24		9,000	24,000				9,000	24,000			
12+12		12,000	12,000				12,000	12,000			
12+18		12,000	18,000				12,000	18,000			
12+24		12,000	24,000				12,000	24,000			
18+18		18,000	18,000				18,000	18,000			

	NO. ZONES	COOLING CAPACITY (BTU/H)					HEATING CAPACITY (BTU/H)				
		ZONE 1	ZONE 2	ZONE 3	ZONE 4	ZONE 5	ZONE 1	ZONE 2	ZONE 3	ZONE 4	ZONE 5
6+6+6	3 - Zone	6,600	6,600	6,600			6,600	6,600	6,600		
6+6+9		6,000	6,000	9,000			6,000	6,000	9,000		
6+6+12		6,000	6,000	12,000			6,000	6,000	12,000		
6+6+18		6,000	6,000	18,000			6,000	6,000	18,000		
6+6+24		6,000	6,000	24,000			6,000	6,000	24,000		
6+9+9		6,000	9,000	9,000			6,000	9,000	9,000		
6+9+12		6,000	9,000	12,000			6,000	9,000	12,000		
6+9+18		6,000	9,000	18,000			6,000	9,000	18,000		
6+9+24		6,000	9,000	24,000			6,000	9,000	24,000		
6+12+12		6,000	12,000	12,000			6,000	12,000	12,000		
6+12+18		6,000	12,000	18,000			6,000	12,000	18,000		
6+12+24		5,700	11,400	22,800			5,700	11,400	22,800		
6+18+18		5,700	17,100	17,100			5,700	17,100	17,100		
6+18+24		4,900	14,800	19,700			4,900	14,800	19,700		
9+9+9		9,000	9,000	9,000			9,000	9,000	9,000		
9+9+12		9,000	9,000	12,000			9,000	9,000	12,000		
9+9+18		9,000	9,000	18,000			9,000	9,000	18,000		
9+9+24		8,600	8,600	17,100			8,600	8,600	17,100		
9+12+12		9,000	12,000	12,000			9,000	12,000	12,000		
9+12+18		9,000	12,000	18,000			9,000	12,000	18,000		
9+12+24		8,000	10,600	5,300			8,000	10,600	5,300		
9+18+18		8,000	16,000	5,300			8,000	16,000	5,300		
12+12+12		12,000	12,000	12,000			12,000	12,000	12,000		
12+12+18		11,300	11,300	16,900			11,300	11,300	16,900		
12+18+18	9,900	14,800	14,800			9,900	14,800	14,800			
12+12+24	9,900	9,900	19,700			9,900	9,900	19,700			
6+6+6+6	4 - Zone	6,000	6,000	6,000	6,000		6,000	6,000	6,000	6,000	
6+6+6+9		6,000	6,000	6,000	9,000		6,000	6,000	6,000	9,000	
6+6+6+12		6,000	6,000	6,000	12,000		6,000	6,000	6,000	12,000	
6+6+6+18		6,000	6,000	6,000	18,000		6,000	6,000	6,000	18,000	
6+6+6+24		5,700	5,700	5,700	22,800		5,700	5,700	5,700	22,800	
6+6+9+9		6,000	6,000	9,000	9,000		6,000	6,000	9,000	9,000	
6+6+9+12		6,000	6,000	9,000	12,000		6,000	6,000	9,000	12,000	
6+6+9+18		6,000	6,000	9,000	18,000		6,000	6,000	9,000	18,000	
6+6+9+24		5,300	5,300	7,900	21,000		5,300	5,300	7,900	21,000	
6+6+12+12		6,000	6,000	12,000	12,000		6,000	6,000	12,000	12,000	
6+6+12+18		5,600	5,600	11,300	16,900		5,600	5,600	11,300	16,900	
6+6+12+24		4,900	4,900	9,900	19,700		4,900	4,900	9,900	19,700	
6+6+18+18		4,900	4,900	14,800	14,800		4,900	4,900	14,800	14,800	
6+9+9+9		6,000	9,000	9,000	9,000		6,000	9,000	9,000	9,000	
6+9+9+12		6,000	9,000	9,000	12,000		6,000	9,000	9,000	12,000	
6+9+9+18		5,600	8,500	8,500	16,900		5,600	8,500	8,500	16,900	
6+9+9+24		4,900	7,400	7,400	19,700		4,900	7,400	7,400	19,700	
6+12+12+12		5,600	11,300	11,300	11,300		5,600	11,300	11,300	11,300	
6+12+12+18		4,900	9,900	9,900	14,800		4,900	9,900	9,900	14,800	
9+9+9+9		9,000	9,000	9,000	9,000		9,000	9,000	9,000	9,000	
9+9+9+12		9,000	9,000	9,000	12,000		9,000	9,000	9,000	12,000	
9+9+9+18		7,900	7,900	7,900	15,800		7,900	7,900	7,900	15,800	
9+9+12+12		8,500	8,500	11,300	11,300		8,500	8,500	11,300	11,300	
9+9+12+18		7,400	7,400	9,900	14,800		7,400	7,400	9,900	14,800	
9+12+12+12		7,900	10,500	10,500	10,500		7,900	10,500	10,500	10,500	
12+12+12+12		9,900	9,900	9,900	9,900		9,900	9,900	9,900	9,900	

	NO. ZONES	COOLING CAPACITY (BTU/H)					HEATING CAPACITY (BTU/H)					
		ZONE 1	ZONE 2	ZONE 3	ZONE 4	ZONE 5	ZONE 1	ZONE 2	ZONE 3	ZONE 4	ZONE 5	
36K - Regular												
6+9	2 - Zone	9,700	14,700				10,000	15,100				
6+12		8,100	16,300				8,300	16,800				
6+18		6,000	18,000				6,200	18,500				
6+24		6,000	24,000				6,200	24,700				
9+9		12,200	12,200				12,500	12,500				
9+12		10,500	14,000				10,800	14,400				
9+18		9,000	18,000				9,300	18,500				
9+24		9,000	24,000				9,300	24,700				
12+12		12,000	12,000				12,300	12,300				
12+18		12,000	18,000				12,300	18,500				
12+24		12,000	24,000				12,300	24,700				
18+18		18,000	18,000				18,500	18,500				
6+6+6		3 - Zone	8,200	8,200	8,200			8,400	8,400	8,400		
6+6+9			7,000	7,000	10,500			7,200	7,200	10,800		
6+6+12	6,000		6,000	12,000			6,200	6,200	12,300			
6+6+18	6,000		6,000	18,000			6,200	6,200	18,500			
6+6+24	6,000		6,000	24,000			6,200	6,200	24,700			
6+9+9	6,000		9,000	9,000			6,200	9,300	9,300			
6+9+12	6,000		9,000	12,000			6,200	9,300	12,300			
6+9+18	6,000		9,000	18,000			6,200	9,300	18,500			
6+9+24	6,000		9,000	24,000			6,200	9,300	24,700			
6+12+12	6,000		12,000	12,000			6,200	12,300	12,300			
6+12+18	6,000		12,000	18,000			6,200	12,300	18,500			
6+12+24	5,700		11,400	22,800			5,900	11,700	23,400			
6+18+18	5,700		17,100	17,100			5,900	17,600	17,600			
6+18+24	4,900		14,800	19,700			5,000	15,200	20,200			
9+9+9	9,000		9,000	9,000			9,300	9,300	9,300			
9+9+12	9,000		9,000	12,000			9,300	9,300	12,300			
9+9+18	9,000		9,000	18,000			9,300	9,300	18,500			
9+9+24	8,600		8,600	17,100			8,800	8,800	17,600			
9+12+12	9,000		12,000	12,000			9,300	12,300	12,300			
9+12+18	9,000		12,000	18,000			9,300	12,300	18,500			
9+12+24	8,000		10,600	5,300			8,200	10,900	5,400			
9+18+18	8,000		16,000	5,300			8,200	16,400	5,400			
12+12+12	12,000		12,000	12,000			12,300	12,300	12,300			
12+12+18	11,300		11,300	16,900			11,600	11,600	17,400			
12+18+18	9,900		14,800	14,800			10,200	15,200	15,200			
12+12+24	9,900		9,900	19,700			10,200	10,200	20,200			

	NO. ZONES	COOLING CAPACITY (BTU/H)					HEATING CAPACITY (BTU/H)				
		ZONE 1	ZONE 2	ZONE 3	ZONE 4	ZONE 5	ZONE 1	ZONE 2	ZONE 3	ZONE 4	ZONE 5
6+6+6+6	4 - Zone	6,000	6,000	6,000	6,000		6,200	6,200	6,200	6,200	
6+6+6+9		6,000	6,000	6,000	9,000		6,200	6,200	6,200	9,300	
6+6+6+12		6,000	6,000	6,000	12,000		6,200	6,200	6,200	12,300	
6+6+6+18		6,000	6,000	6,000	18,000		6,200	6,200	6,200	18,500	
6+6+6+24		5,700	5,700	5,700	22,800		5,900	5,900	5,900	23,400	
6+6+9+9		6,000	6,000	9,000	9,000		6,200	6,200	9,300	9,300	
6+6+9+12		6,000	6,000	9,000	12,000		6,200	6,200	9,300	12,300	
6+6+9+18		6,000	6,000	9,000	18,000		6,200	6,200	9,300	18,500	
6+6+9+24		5,300	5,300	7,900	21,000		5,400	5,400	8,100	21,600	
6+6+12+12		6,000	6,000	12,000	12,000		6,200	6,200	12,300	12,300	
6+6+12+18		5,600	5,600	11,300	16,900		5,800	5,800	11,600	17,400	
6+6+12+24		4,900	4,900	9,900	19,700		5,000	5,000	10,200	20,200	
6+6+18+18		4,900	4,900	14,800	14,800		5,000	5,000	15,200	15,200	
6+9+9+9		6,000	9,000	9,000	9,000		6,200	9,300	9,300	9,300	
6+9+9+12		6,000	9,000	9,000	12,000		6,200	9,300	9,300	12,300	
6+9+9+18		5,600	8,500	8,500	16,900		5,800	8,700	8,700	17,400	
6+9+9+24		4,900	7,400	7,400	19,700		5,000	7,600	7,600	20,200	
6+12+12+12		5,600	11,300	11,300	11,300		5,800	11,600	11,600	11,600	
6+12+12+18		4,900	9,900	9,900	14,800		5,000	10,200	10,200	15,200	
9+9+9+9		9,000	9,000	9,000	9,000		9,300	9,300	9,300	9,300	
9+9+9+12		9,000	9,000	9,000	12,000		9,300	9,300	9,300	12,300	
9+9+9+18		7,900	7,900	7,900	15,800		8,100	8,100	8,100	16,200	
9+9+12+12		8,500	8,500	11,300	11,300		8,700	8,700	11,600	11,600	
9+9+12+18		7,400	7,400	9,900	14,800		7,600	7,600	10,200	15,200	
9+12+12+12	7,900	10,500	10,500	10,500		8,100	10,800	10,800	10,800		
12+12+12+12	9,900	9,900	9,900	9,900		10,200	10,200	10,200	10,200		
36K - High Heat											
9+18	2 - Zone	9,000	18,000				9,200	18,400			
9+24		9,000	24,000				9,200	24,500			
12+12		12,000	12,000				12,300	12,300			
12+18		12,000	18,000				12,300	18,400			
12+24		12,000	24,000				12,300	24,500			
18+18		18,000	18,000				18,400	18,400			
18+24		18,000	24,000				18,400	24,500			
24+24		24,000	24,000				24,500	24,500			
6+6+24	3 - Zone	6,000	6,000	24,000			6,100	6,100	24,500		
6+9+12		6,000	9,000	12,000			6,100	9,200	12,300		
6+9+18		6,000	9,000	18,000			6,100	9,200	18,400		
6+9+24		6,000	9,000	24,000			6,100	9,200	24,500		
6+12+18		6,000	12,000	18,000			6,100	12,300	18,400		
6+12+24		6,000	12,000	24,000			6,100	12,300	24,500		
6+18+18		6,000	18,000	18,000			6,100	18,400	18,400		
6+18+24		6,000	18,000	24,000			6,100	18,400	24,500		
6+24+24		6,000	24,000	24,000			6,000	24,100	24,100		
9+9+9		9,000	9,000	9,000			9,200	9,200	9,200		
9+9+12		9,000	9,000	12,000			9,200	9,200	12,300		
9+9+18		9,000	9,000	18,000			9,200	9,200	18,400		
9+9+24		9,000	9,000	24,000			9,200	9,200	24,500		
9+12+12		9,000	12,000	12,000			9,200	12,300	12,300		
9+12+18		9,000	12,000	18,000			9,200	12,300	18,400		
9+12+24		9,000	12,000	24,000			9,200	12,300	24,500		
9+18+18	9,000	18,000	18,000			9,200	18,400	18,400			
9+18+24	9,000	18,000	24,000			9,200	18,400	24,500			
9+24+24	8,300	22,300	22,300			8,500	22,800	22,800			
12+12+12	12,000	12,000	12,000			12,300	12,300	12,300			
12+12+18	12,000	12,000	18,000			12,300	12,300	18,400			
12+12+24	12,000	12,000	24,000			12,300	12,300	24,500			
12+18+18	12,000	18,000	18,000			12,300	18,400	18,400			
12+18+24	12,000	18,000	24,000			12,000	18,100	24,100			
12+24+24	10,400	20,900	20,900			10,600	21,300	21,300			
18+18+18	17,500	17,500	17,500			17,900	17,900	17,900			
18+18+24	16,800	16,800	18,700			17,200	17,200	19,100			

	NO. ZONES	COOLING CAPACITY (BTU/H)					HEATING CAPACITY (BTU/H)				
		ZONE 1	ZONE 2	ZONE 3	ZONE 4	ZONE 5	ZONE 1	ZONE 2	ZONE 3	ZONE 4	ZONE 5
6+6+6+18	4 - Zone	6,000	6,000	6,000	18,000		6,100	6,100	6,100	18,400	
6+6+6+24		6,000	6,000	6,000	24,000		6,100	6,100	6,100	24,500	
6+6+6+30		6,000	6,000	6,000	30,000		6,100	6,100	6,100	30,600	
6+6+6+36		6,000	6,000	6,000	36,000		6,000	6,000	6,000	36,200	
6+6+9+12		6,000	6,000	9,000	12,000		6,100	6,100	9,200	12,300	
6+6+9+18		6,000	6,000	9,000	18,000		6,100	6,100	9,200	18,400	
6+6+9+24		6,000	6,000	9,000	24,000		6,100	6,100	9,200	24,500	
6+6+9+30		6,000	6,000	9,000	30,000		6,100	6,100	9,200	30,600	
6+6+9+36		5,500	5,500	8,300	33,000		5,600	5,600	8,500	33,700	
6+6+12+12		6,000	6,000	12,000	12,000		6,100	6,100	12,300	12,300	
6+6+12+18		6,000	6,000	12,000	18,000		6,100	6,100	12,300	18,400	
6+6+12+24		6,000	6,000	12,000	24,000		6,100	6,100	12,300	24,500	
6+6+12+30		6,000	6,000	12,000	30,000		6,000	6,000	12,100	30,100	
6+6+12+36		5,200	5,200	10,400	31,300		5,300	5,300	10,600	32,000	
6+6+18+18		6,000	6,000	18,000	18,000		6,100	6,100	18,400	18,400	
6+6+18+24		6,000	6,000	18,000	24,000		6,000	6,000	18,100	24,100	
6+6+18+30		5,200	5,200	15,700	26,100		5,300	5,300	16,000	26,600	
6+6+24+24		5,200	5,200	20,900	20,900		5,300	5,300	21,300	21,300	
6+9+9+9		6,000	9,000	9,000	9,000		6,100	9,200	9,200	9,200	
6+9+9+12		6,000	9,000	9,000	12,000		6,100	9,200	9,200	12,300	
6+9+9+18		6,000	9,000	9,000	18,000		6,100	9,200	9,200	18,400	
6+9+9+24		6,000	9,000	9,000	24,000		6,100	9,200	9,200	24,500	
6+9+9+30		6,000	9,000	9,000	30,000		6,100	9,100	9,100	30,500	
6+9+9+36		5,200	7,800	7,800	31,300		5,300	8,000	8,000	32,000	
6+9+12+12		6,000	9,000	12,000	12,000		6,100	9,200	12,300	12,300	
6+9+12+18		6,000	9,000	12,000	18,000		6,100	9,200	12,300	18,400	
6+9+12+24		6,000	9,000	12,000	24,000		6,100	9,200	12,300	24,500	
6+9+12+30		5,500	8,300	11,000	27,500		5,600	8,500	11,200	28,100	
6+9+12+36		5,000	7,400	9,900	29,800		5,100	7,600	10,100	30,400	
6+9+18+18		6,000	9,000	18,000	18,000		6,100	9,200	18,400	18,400	
6+9+18+24		5,500	8,300	16,500	22,000		5,600	8,500	16,800	22,500	
6+9+18+30		5,000	7,400	14,900	24,800		5,100	7,600	15,200	25,300	
6+12+12+12		6,000	12,000	12,000	12,000		6,100	12,300	12,300	12,300	
6+12+12+18		6,000	12,000	12,000	18,000		6,100	12,300	12,300	18,400	
6+12+12+24		5,800	11,600	11,600	23,300		5,900	11,800	11,800	23,800	
6+12+12+30		5,200	10,400	10,400	26,100		5,300	10,600	10,600	26,600	
6+12+18+18		5,800	11,600	17,500	17,500		5,900	11,800	17,900	17,900	
6+12+18+24		5,200	10,400	15,700	20,900		5,300	10,600	16,000	21,300	
9+9+9+9		9,000	9,000	9,000	9,000		9,200	9,200	9,200	9,200	
9+9+9+12		9,000	9,000	9,000	12,000		9,200	9,200	9,200	12,300	
9+9+9+18	9,000	9,000	9,000	18,000		9,200	9,200	9,200	18,400		
9+9+9+24	9,000	9,000	9,000	24,000		9,200	9,200	9,200	24,500		
9+9+12+12	9,000	9,000	12,000	12,000		9,200	9,200	12,300	12,300		
9+9+12+18	9,000	9,000	12,000	18,000		9,200	9,200	12,300	18,400		
9+9+12+24	8,700	8,700	11,600	23,300		8,900	8,900	11,800	23,800		
9+9+18+18	8,700	8,700	17,500	17,500		8,900	8,900	17,900	17,900		
9+9+18+24	7,800	7,800	15,700	20,900		8,000	8,000	16,000	21,300		
9+12+12+12	9,000	12,000	12,000	12,000		9,200	12,300	12,300	12,300		
9+12+12+18	9,000	12,000	12,000	18,000		9,200	12,300	12,300	18,400		
9+12+12+24	8,300	11,000	11,000	22,000		8,500	11,200	11,200	22,500		
9+12+18+18	8,300	11,000	16,500	16,500		8,500	11,200	16,800	16,800		
9+18+18+18	7,400	14,900	14,900	14,900		7,600	15,200	15,200	15,200		
12+12+12+12	12,000	12,000	12,000	12,000		12,300	12,300	12,300	12,300		
12+12+12+18	11,600	11,600	11,600	17,500		11,800	11,800	11,800	17,900		
12+12+12+24	10,400	10,400	10,400	20,900		10,600	10,600	10,600	21,300		
12+12+18+18	10,400	10,400	15,700	15,700		10,600	10,600	16,000	16,000		

	NO. ZONES	COOLING CAPACITY (BTU/H)					HEATING CAPACITY (BTU/H)				
		ZONE 1	ZONE 2	ZONE 3	ZONE 4	ZONE 5	ZONE 1	ZONE 2	ZONE 3	ZONE 4	ZONE 5
48K - Regular Heat											
6+30	2 - Zone	6,000	30,000				6,000	30,000			
6+36		6,000	36,000				6,000	36,000			
9+18		10,600	21,100				10,600	21,100			
9+24		9,000	24,000				9,000	24,000			
9+30		9,000	30,000				9,000	30,000			
9+36		9,000	36,000				9,000	36,000			
12+12		15,900	15,900				15,900	15,900			
12+18		12,700	19,000				12,700	19,000			
12+24		12,000	24,000				12,000	24,000			
12+30		12,000	30,000				12,000	30,000			
12+36		12,000	36,000				12,000	36,000			
18+18		18,000	18,000				18,000	18,000			
18+24		18,000	24,000				18,000	24,000			
18+30		18,000	30,000				18,000	30,000			
18+36		18,000	36,000				18,000	36,000			
24+24		24,000	24,000				24,000	24,000			
24+30		24,000	30,000				24,000	30,000			
24+36		24,000	36,000				24,000	36,000			
30+30		30,000	30,000				30,000	30,000			

	NO. ZONES	COOLING CAPACITY (BTU/H)					HEATING CAPACITY (BTU/H)				
		ZONE 1	ZONE 2	ZONE 3	ZONE 4	ZONE 5	ZONE 1	ZONE 2	ZONE 3	ZONE 4	ZONE 5
6+6+24	3 - Zone	6,000	6,000	24,000			6,000	6,000	24,000		
6+6+30		6,000	6,000	30,000			6,000	6,000	30,000		
6+6+36		6,000	6,000	36,000			6,000	6,000	36,000		
6+9+12		7,000	10,600	14,100			7,000	10,600	14,100		
6+9+18		6,000	9,000	18,000			6,000	9,000	18,000		
6+9+24		6,000	9,000	24,000			6,000	9,000	24,000		
6+9+30		6,000	9,000	30,000			6,000	9,000	30,000		
6+9+36		6,000	9,000	36,000			6,000	9,000	36,000		
6+12+18		6,000	12,000	18,000			6,000	12,000	18,000		
6+12+24		6,000	12,000	24,000			6,000	12,000	24,000		
6+12+30		6,000	12,000	30,000			6,000	12,000	30,000		
6+12+36		6,000	12,000	36,000			6,000	12,000	36,000		
6+18+18		6,000	18,000	18,000			6,000	18,000	18,000		
6+18+24		6,000	18,000	24,000			6,000	18,000	24,000		
6+18+30		6,000	18,000	30,000			6,000	18,000	30,000		
6+18+36		6,000	18,000	36,000			6,000	18,000	36,000		
6+24+24		6,000	24,000	24,000			6,000	24,000	24,000		
6+24+30		6,000	24,000	30,000			6,000	24,000	30,000		
9+9+9		10,600	10,600	10,600			10,600	10,600	10,600		
9+9+12		9,500	9,500	12,700			9,500	9,500	12,700		
9+9+18		9,000	9,000	18,000			9,000	9,000	18,000		
9+9+24		9,000	9,000	24,000			9,000	9,000	24,000		
9+9+30		9,000	9,000	30,000			9,000	9,000	30,000		
9+9+36		9,000	9,000	36,000			9,000	9,000	36,000		
9+12+12		9,000	12,000	12,000			9,000	12,000	12,000		
9+12+18		9,000	12,000	18,000			9,000	12,000	18,000		
9+12+24		9,000	12,000	24,000			9,000	12,000	24,000		
9+12+30		9,000	12,000	30,000			9,000	12,000	30,000		
9+12+36		9,000	12,000	36,000			9,000	12,000	36,000		
9+18+18		9,000	18,000	18,000			9,000	18,000	18,000		
9+18+24		9,000	18,000	24,000			9,000	18,000	24,000		
9+18+30		9,000	18,000	30,000			9,000	18,000	30,000		
9+18+36	9,000	18,000	36,000			9,000	18,000	36,000			
9+24+24	9,000	24,000	24,000			9,000	24,000	24,000			
12+12+12	12,000	12,000	12,000			12,000	12,000	12,000			
12+12+18	12,000	12,000	18,000			12,000	12,000	18,000			
12+12+24	12,000	12,000	24,000			12,000	12,000	24,000			
12+12+30	12,000	12,000	30,000			12,000	12,000	30,000			
12+12+36	12,000	12,000	36,000			12,000	12,000	36,000			
12+18+18	12,000	16,500	16,500			12,000	16,500	16,500			
12+18+24	12,000	18,000	24,000			12,000	18,000	24,000			
12+18+30	12,000	18,000	30,000			12,000	18,000	30,000			
12+24+24	12,000	24,000	24,000			12,000	24,000	24,000			
18+18+18	18,000	18,000	18,000			18,000	18,000	18,000			
18+18+24	18,000	18,000	24,000			18,000	18,000	24,000			

	NO. ZONES	COOLING CAPACITY (BTU/H)					HEATING CAPACITY (BTU/H)				
		ZONE 1	ZONE 2	ZONE 3	ZONE 4	ZONE 5	ZONE 1	ZONE 2	ZONE 3	ZONE 4	ZONE 5
6+6+6+18	4-Zone	6,000	6,000	6,000	18,000		6,000	6,000	6,000	18,000	
6+6+6+24		6,000	6,000	6,000	24,000		6,000	6,000	6,000	24,000	
6+6+6+30		6,000	6,000	6,000	30,000		6,000	6,000	6,000	30,000	
6+6+6+36		6,000	6,000	6,000	36,000		6,000	6,000	6,000	36,000	
6+6+9+12		6,000	6,000	9,000	12,000		6,000	6,000	9,000	12,000	
6+6+9+18		6,000	6,000	9,000	18,000		6,000	6,000	9,000	18,000	
6+6+9+24		6,000	6,000	9,000	24,000		6,000	6,000	9,000	24,000	
6+6+9+30		6,000	6,000	9,000	30,000		6,000	6,000	9,000	30,000	
6+6+9+36		6,000	6,000	9,000	36,000		6,000	6,000	9,000	36,000	
6+6+12+12		6,000	6,000	12,000	12,000		6,000	6,000	12,000	12,000	
6+6+12+18		6,000	6,000	12,000	18,000		6,000	6,000	12,000	18,000	
6+6+12+24		6,000	6,000	12,000	24,000		6,000	6,000	12,000	24,000	
6+6+12+30		6,000	6,000	12,000	30,000		6,000	6,000	12,000	30,000	
6+6+12+36		6,000	6,000	12,000	36,000		6,000	6,000	12,000	36,000	
6+6+18+18		6,000	6,000	18,000	18,000		6,000	6,000	18,000	18,000	
6+6+18+24		6,000	6,000	18,000	24,000		6,000	6,000	18,000	24,000	
6+6+18+30		6,000	6,000	18,000	30,000		6,000	6,000	18,000	30,000	
6+6+24+24		6,000	6,000	24,000	24,000		6,000	6,000	24,000	24,000	
6+9+9+9		6,000	9,000	9,000	9,000		6,000	9,000	9,000	9,000	
6+9+9+12		6,000	9,000	9,000	12,000		6,000	9,000	9,000	12,000	
6+9+9+18		6,000	9,000	9,000	18,000		6,000	9,000	9,000	18,000	
6+9+9+24		6,000	9,000	9,000	24,000		6,000	9,000	9,000	24,000	
6+9+9+30		6,000	9,000	9,000	30,000		6,000	9,000	9,000	30,000	
6+9+9+36		6,000	9,000	9,000	36,000		6,000	9,000	9,000	36,000	
6+9+12+12		6,000	9,000	12,000	12,000		6,000	9,000	12,000	12,000	
6+9+12+18		6,000	9,000	12,000	18,000		6,000	9,000	12,000	18,000	
6+9+12+24		6,000	9,000	12,000	24,000		6,000	9,000	12,000	24,000	
6+9+12+30		6,000	9,000	12,000	30,000		6,000	9,000	12,000	30,000	
6+9+12+36		6,000	9,000	12,000	36,000		6,000	9,000	12,000	36,000	
6+9+18+18		6,000	9,000	18,000	18,000		6,000	9,000	18,000	18,000	
6+9+18+24		6,000	9,000	18,000	24,000		6,000	9,000	18,000	24,000	
6+9+18+30		6,000	9,000	18,000	30,000		6,000	9,000	18,000	30,000	
6+9+24+24		6,000	9,000	24,000	24,000		6,000	9,000	24,000	24,000	
6+12+12+12		6,000	12,000	12,000	12,000		6,000	12,000	12,000	12,000	
6+12+12+18		6,000	12,000	12,000	18,000		6,000	12,000	12,000	18,000	
6+12+12+24		6,000	12,000	12,000	24,000		6,000	12,000	12,000	24,000	
6+12+12+30		6,000	12,000	12,000	30,000		6,000	12,000	12,000	30,000	
6+12+18+18		6,000	12,000	18,000	18,000		6,000	12,000	18,000	18,000	
6+12+18+24		6,000	12,000	18,000	24,000		6,000	12,000	18,000	24,000	
6+18+18+18		6,000	18,000	18,000	18,000		6,000	18,000	18,000	18,000	
9+9+9+9		9,000	9,000	9,000	9,000		9,000	9,000	9,000	9,000	
9+9+9+12		9,000	9,000	9,000	12,000		9,000	9,000	9,000	12,000	
9+9+9+18	9,000	9,000	9,000	18,000		9,000	9,000	9,000	18,000		
9+9+9+24	9,000	9,000	9,000	24,000		9,000	9,000	9,000	24,000		
9+9+9+30	9,000	9,000	9,000	30,000		9,000	9,000	9,000	30,000		
9+9+9+36	9,000	9,000	9,000	36,000		9,000	9,000	9,000	36,000		
9+9+12+12	9,000	9,000	12,000	12,000		9,000	9,000	12,000	12,000		
9+9+12+18	9,000	9,000	12,000	18,000		9,000	9,000	12,000	18,000		
9+9+12+24	9,000	9,000	12,000	24,000		9,000	9,000	12,000	24,000		
9+9+12+30	9,000	9,000	12,000	30,000		9,000	9,000	12,000	30,000		
9+9+18+18	9,000	9,000	18,000	18,000		9,000	9,000	18,000	18,000		
9+9+18+24	9,000	9,000	18,000	24,000		9,000	9,000	18,000	24,000		
9+12+12+12	9,000	12,000	12,000	12,000		9,000	12,000	12,000	12,000		
9+12+12+18	9,000	12,000	12,000	18,000		9,000	12,000	12,000	18,000		
9+12+12+24	9,000	12,000	12,000	24,000		9,000	12,000	12,000	24,000		
9+12+18+18	9,000	12,000	18,000	18,000		9,000	12,000	18,000	18,000		
9+18+18+18	9,000	18,000	18,000	18,000		9,000	18,000	18,000	18,000		
12+12+12+12	12,000	12,000	12,000	12,000		12,000	12,000	12,000	12,000		
12+12+12+18	12,000	12,000	12,000	18,000		12,000	12,000	12,000	18,000		
12+12+12+24	12,000	12,000	12,000	24,000		12,000	12,000	12,000	24,000		
12+12+18+18	12,000	12,000	18,000	18,000		12,000	12,000	18,000	18,000		

	NO. ZONES	COOLING CAPACITY (BTU/H)					HEATING CAPACITY (BTU/H)				
		ZONE 1	ZONE 2	ZONE 3	ZONE 4	ZONE 5	ZONE 1	ZONE 2	ZONE 3	ZONE 4	ZONE 5
6+6+6+6+6	5-Zone	6,400	6,400	6,400	6,400	6,400	6,400	6,400	6,400	6,400	6,400
6+6+6+6+9		6,000	6,000	6,000	6,000	9,000	6,000	6,000	6,000	6,000	9,000
6+6+6+6+12		6,000	6,000	6,000	6,000	12,000	6,000	6,000	6,000	6,000	12,000
6+6+6+6+18		6,000	6,000	6,000	6,000	18,000	6,000	6,000	6,000	6,000	18,000
6+6+6+6+24		6,000	6,000	6,000	6,000	24,000	6,000	6,000	6,000	6,000	24,000
6+6+6+6+30		6,000	6,000	6,000	6,000	30,000	6,000	6,000	6,000	6,000	30,000
6+6+6+6+36		6,000	6,000	6,000	6,000	36,000	6,000	6,000	6,000	6,000	36,000
6+6+6+9+9		6,000	6,000	6,000	9,000	9,000	6,000	6,000	6,000	9,000	9,000
6+6+6+9+12		6,000	6,000	6,000	9,000	12,000	6,000	6,000	6,000	9,000	12,000
6+6+6+9+18		6,000	6,000	6,000	9,000	18,000	6,000	6,000	6,000	9,000	18,000
6+6+6+9+24		6,000	6,000	6,000	9,000	24,000	6,000	6,000	6,000	9,000	24,000
6+6+6+9+30		6,000	6,000	6,000	9,000	30,000	6,000	6,000	6,000	9,000	30,000
6+6+6+9+36		6,000	6,000	6,000	9,000	36,000	6,000	6,000	6,000	9,000	36,000
6+6+6+12+12		6,000	6,000	6,000	12,000	12,000	6,000	6,000	6,000	12,000	12,000
6+6+6+12+18		6,000	6,000	6,000	12,000	18,000	6,000	6,000	6,000	12,000	18,000
6+6+6+12+24		6,000	6,000	6,000	12,000	24,000	6,000	6,000	6,000	12,000	24,000
6+6+6+12+30		6,000	6,000	6,000	12,000	30,000	6,000	6,000	6,000	12,000	30,000
6+6+6+18+18		6,000	6,000	6,000	18,000	18,000	6,000	6,000	6,000	18,000	18,000
6+6+6+18+24		6,000	6,000	6,000	18,000	24,000	6,000	6,000	6,000	18,000	24,000
6+6+9+9+9		6,000	6,000	9,000	9,000	9,000	6,000	6,000	9,000	9,000	9,000
6+6+9+9+12		6,000	6,000	9,000	9,000	12,000	6,000	6,000	9,000	9,000	12,000
6+6+9+9+18		6,000	6,000	9,000	9,000	18,000	6,000	6,000	9,000	9,000	18,000
6+6+9+9+24		6,000	6,000	9,000	9,000	24,000	6,000	6,000	9,000	9,000	24,000
6+6+9+9+30		6,000	6,000	9,000	9,000	30,000	6,000	6,000	9,000	9,000	30,000
6+6+9+12+12		6,000	6,000	9,000	12,000	12,000	6,000	6,000	9,000	12,000	12,000
6+6+9+12+18		6,000	6,000	9,000	12,000	18,000	6,000	6,000	9,000	12,000	18,000
6+6+9+12+24		6,000	6,000	9,000	12,000	24,000	6,000	6,000	9,000	12,000	24,000
6+6+9+12+30		6,000	6,000	9,000	12,000	30,000	6,000	6,000	9,000	12,000	30,000
6+6+9+18+18		6,000	6,000	9,000	18,000	18,000	6,000	6,000	9,000	18,000	18,000
6+6+9+18+24		6,000	6,000	9,000	18,000	24,000	6,000	6,000	9,000	18,000	24,000
6+6+12+12+12		6,000	6,000	12,000	12,000	12,000	6,000	6,000	12,000	12,000	12,000
6+6+12+12+18		6,000	6,000	12,000	12,000	18,000	6,000	6,000	12,000	12,000	18,000
6+6+12+12+24		6,000	6,000	12,000	12,000	24,000	6,000	6,000	12,000	12,000	24,000
6+6+12+18+18		6,000	6,000	12,000	18,000	18,000	6,000	6,000	12,000	18,000	18,000
6+9+9+9+9		6,000	9,000	9,000	9,000	9,000	6,000	9,000	9,000	9,000	9,000
6+9+9+9+12		6,000	9,000	9,000	9,000	12,000	6,000	9,000	9,000	9,000	12,000
6+9+9+9+18		6,000	9,000	9,000	9,000	18,000	6,000	9,000	9,000	9,000	18,000
6+9+9+9+24		6,000	9,000	9,000	9,000	24,000	6,000	9,000	9,000	9,000	24,000
6+9+9+9+30		6,000	9,000	9,000	9,000	24,000	6,000	9,000	9,000	9,000	24,000
6+9+9+12+12		6,000	9,000	9,000	12,000	12,000	6,000	9,000	9,000	12,000	12,000
6+9+9+12+18		6,000	9,000	9,000	12,000	18,000	6,000	9,000	9,000	12,000	18,000
6+9+9+12+24		6,000	9,000	9,000	12,000	24,000	6,000	9,000	9,000	12,000	24,000
6+9+9+18+18	6,000	9,000	9,000	18,000	18,000	6,000	9,000	9,000	18,000	18,000	
6+9+12+12+12	6,000	9,000	12,000	12,000	12,000	6,000	9,000	12,000	12,000	12,000	
6+9+12+12+18	6,000	9,000	12,000	12,000	18,000	6,000	9,000	12,000	12,000	18,000	
6+9+12+12+24	6,000	9,000	12,000	12,000	24,000	6,000	9,000	12,000	12,000	24,000	
6+9+12+18+18	6,000	9,000	12,000	18,000	18,000	6,000	9,000	12,000	18,000	18,000	
6+12+12+12+12	6,000	12,000	12,000	12,000	12,000	6,000	12,000	12,000	12,000	12,000	
6+12+12+12+18	6,000	12,000	12,000	12,000	18,000	6,000	12,000	12,000	12,000	18,000	
9+9+9+9+9	9,000	9,000	9,000	9,000	9,000	9,000	9,000	9,000	9,000	9,000	
9+9+9+9+12	9,000	9,000	9,000	9,000	12,000	9,000	9,000	9,000	9,000	12,000	
9+9+9+9+18	9,000	9,000	9,000	9,000	18,000	9,000	9,000	9,000	9,000	18,000	
9+9+9+9+24	9,000	9,000	9,000	9,000	24,000	9,000	9,000	9,000	9,000	24,000	
9+9+9+12+12	9,000	9,000	9,000	12,000	12,000	9,000	9,000	9,000	12,000	12,000	
9+9+9+12+18	9,000	9,000	9,000	12,000	18,000	9,000	9,000	9,000	12,000	18,000	
9+9+9+18+18	9,000	9,000	9,000	18,000	18,000	9,000	9,000	9,000	18,000	18,000	
9+9+12+12+12	9,000	9,000	12,000	12,000	12,000	9,000	9,000	12,000	12,000	12,000	
9+9+12+12+18	9,000	9,000	12,000	12,000	18,000	9,000	9,000	12,000	12,000	18,000	
9+12+12+12+12	9,000	12,000	12,000	12,000	12,000	9,000	12,000	12,000	12,000	12,000	
9+12+12+12+18	9,000	12,000	12,000	12,000	18,000	9,000	12,000	12,000	12,000	18,000	
12+12+12+12+12	12,000	12,000	12,000	12,000	12,000	12,000	12,000	12,000	12,000	12,000	

	NO. ZONES	COOLING CAPACITY (BTU/H)					HEATING CAPACITY (BTU/H)				
		ZONE 1	ZONE 2	ZONE 3	ZONE 4	ZONE 5	ZONE 1	ZONE 2	ZONE 3	ZONE 4	ZONE 5
48K - High Heat											
6+30	2-Zone	6,000	30,000				6,100	30,600			
6+36		6,000	36,000				6,100	36,800			
9+18		10,600	21,100				10,900	21,800			
9+24		9,000	24,000				9,200	24,500			
9+30		9,000	30,000				9,200	30,600			
9+36		9,000	36,000				9,200	36,800			
12+12		15,900	15,900				16,200	16,200			
12+18		12,700	19,000				13,000	19,400			
12+24		12,000	24,000				12,300	24,500			
12+30		12,000	30,000				12,300	30,600			
12+36		12,000	36,000				12,300	36,800			
18+18		18,000	18,000				18,400	18,400			
18+24		18,000	24,000				18,400	24,500			
18+30		18,000	30,000				18,400	30,600			
18+36		18,000	36,000				18,400	36,800			
24+24		24,000	24,000				24,500	24,500			
24+30		24,000	30,000				24,500	30,600			
24+36		24,000	36,000				24,500	36,800			
30+30		30,000	30,000				30,600	30,600			

	NO. ZONES	COOLING CAPACITY (BTU/H)					HEATING CAPACITY (BTU/H)				
		ZONE 1	ZONE 2	ZONE 3	ZONE 4	ZONE 5	ZONE 1	ZONE 2	ZONE 3	ZONE 4	ZONE 5
6+6+24	3-Zone	6,000	6,000	24,000			6,100	6,100	24,500		
6+6+30		6,000	6,000	30,000			6,100	6,100	30,600		
6+6+36		6,000	6,000	36,000			6,100	6,100	36,800		
6+9+12		7,000	10,600	14,100			7,200	10,900	14,600		
6+9+18		6,000	9,000	18,000			6,100	9,200	18,400		
6+9+24		6,000	9,000	24,000			6,100	9,200	24,500		
6+9+30		6,000	9,000	30,000			6,100	9,200	30,600		
6+9+36		6,000	9,000	36,000			6,100	9,200	36,800		
6+12+18		6,000	12,000	18,000			6,100	12,300	18,400		
6+12+24		6,000	12,000	24,000			6,100	12,300	24,500		
6+12+30		6,000	12,000	30,000			6,100	12,300	30,600		
6+12+36		6,000	12,000	36,000			6,100	12,300	36,800		
6+18+18		6,000	18,000	18,000			6,100	18,400	18,400		
6+18+24		6,000	18,000	24,000			6,100	18,400	24,500		
6+18+30		6,000	18,000	30,000			6,100	18,400	30,600		
6+18+36		6,000	18,000	36,000			6,100	18,400	36,800		
6+24+24		6,000	24,000	24,000			6,100	24,500	24,500		
6+24+30		6,000	24,000	30,000			6,100	24,500	30,600		
9+9+9		10,600	10,600	10,600			10,800	10,800	10,800		
9+9+12		9,500	9,500	12,700			9,700	9,700	13,000		
9+9+18		9,000	9,000	18,000			9,200	9,200	18,400		
9+9+24		9,000	9,000	24,000			9,200	9,200	24,500		
9+9+30		9,000	9,000	30,000			9,200	9,200	30,600		
9+9+36		9,000	9,000	36,000			9,200	9,200	36,800		
9+12+12		9,000	12,000	12,000			9,200	12,300	12,300		
9+12+18		9,000	12,000	18,000			9,200	12,300	18,400		
9+12+24		9,000	12,000	24,000			9,200	12,300	24,500		
9+12+30		9,000	12,000	30,000			9,200	12,300	30,600		
9+12+36		9,000	12,000	36,000			9,200	12,300	36,800		
9+18+18		9,000	18,000	18,000			9,200	18,400	18,400		
9+18+24	9,000	18,000	24,000			9,200	18,400	24,500			
9+18+30	9,000	18,000	30,000			9,200	18,400	30,600			
9+18+36	9,000	18,000	36,000			9,200	18,400	36,800			
9+24+24	9,000	24,000	24,000			9,200	24,500	24,500			
12+12+12	12,000	12,000	12,000			12,300	12,300	12,300			
12+12+18	12,000	12,000	18,000			12,300	12,300	18,400			
12+12+24	12,000	12,000	24,000			12,300	12,300	24,500			
12+12+30	12,000	12,000	30,000			12,300	12,300	30,600			
12+12+36	12,000	12,000	36,000			12,300	12,300	36,800			
12+18+18	12,000	16,500	16,500			12,300	16,800	16,800			
12+18+24	12,000	18,000	24,000			12,300	18,400	24,500			
12+18+30	12,000	18,000	30,000			12,300	18,400	30,600			
12+24+24	12,000	24,000	24,000			12,300	24,500	24,500			
18+18+18	18,000	18,000	18,000			18,400	18,400	18,400			
18+18+24	18,000	18,000	24,000			18,400	18,400	24,500			

	NO. ZONES	COOLING CAPACITY (BTU/H)					HEATING CAPACITY (BTU/H)				
		ZONE 1	ZONE 2	ZONE 3	ZONE 4	ZONE 5	ZONE 1	ZONE 2	ZONE 3	ZONE 4	ZONE 5
6+6+6+18	4-Zone	6,000	6,000	6,000	18,000		6,100	6,100	6,100	18,400	
6+6+6+24		6,000	6,000	6,000	24,000		6,100	6,100	6,100	24,500	
6+6+6+30		6,000	6,000	6,000	30,000		6,100	6,100	6,100	30,600	
6+6+6+36		6,000	6,000	6,000	36,000		6,100	6,100	6,100	36,800	
6+6+9+12		6,000	6,000	9,000	12,000		6,100	6,100	9,200	12,300	
6+6+9+18		6,000	6,000	9,000	18,000		6,100	6,100	9,200	18,400	
6+6+9+24		6,000	6,000	9,000	24,000		6,100	6,100	9,200	24,500	
6+6+9+30		6,000	6,000	9,000	30,000		6,100	6,100	9,200	30,600	
6+6+9+36		6,000	6,000	9,000	36,000		6,100	6,100	9,200	36,800	
6+6+12+12		6,000	6,000	12,000	12,000		6,100	6,100	12,300	12,300	
6+6+12+18		6,000	6,000	12,000	18,000		6,100	6,100	12,300	18,400	
6+6+12+24		6,000	6,000	12,000	24,000		6,100	6,100	12,300	24,500	
6+6+12+30		6,000	6,000	12,000	30,000		6,100	6,100	12,300	30,600	
6+6+12+36		6,000	6,000	12,000	36,000		6,100	6,100	12,300	36,800	
6+6+18+18		6,000	6,000	18,000	18,000		6,100	6,100	18,400	18,400	
6+6+18+24		6,000	6,000	18,000	24,000		6,100	6,100	18,400	24,500	
6+6+18+30		6,000	6,000	18,000	30,000		6,100	6,100	18,400	30,600	
6+6+24+24		6,000	6,000	24,000	24,000		6,100	6,100	24,500	24,500	
6+9+9+9		6,000	9,000	9,000	9,000		6,100	9,200	9,200	9,200	
6+9+9+12		6,000	9,000	9,000	12,000		6,100	9,200	9,200	12,300	
6+9+9+18		6,000	9,000	9,000	18,000		6,100	9,200	9,200	18,400	
6+9+9+24		6,000	9,000	9,000	24,000		6,100	9,200	9,200	24,500	
6+9+9+30		6,000	9,000	9,000	30,000		6,100	9,200	9,200	30,600	
6+9+9+36		6,000	9,000	9,000	36,000		6,100	9,200	9,200	36,800	
6+9+12+12		6,000	9,000	12,000	12,000		6,100	9,200	12,300	12,300	
6+9+12+18		6,000	9,000	12,000	18,000		6,100	9,200	12,300	18,400	
6+9+12+24		6,000	9,000	12,000	24,000		6,100	9,200	12,300	24,500	
6+9+12+30		6,000	9,000	12,000	30,000		6,100	9,200	12,300	30,600	
6+9+12+36		6,000	9,000	12,000	36,000		6,100	9,200	12,300	36,800	
6+9+18+18		6,000	9,000	18,000	18,000		6,100	9,200	18,400	18,400	
6+9+18+24		6,000	9,000	18,000	24,000		6,100	9,200	18,400	24,500	
6+9+18+30		6,000	9,000	18,000	30,000		6,100	9,200	18,400	30,600	
6+9+24+24		6,000	9,000	24,000	24,000		6,100	9,200	24,500	24,500	
6+12+12+12		6,000	12,000	12,000	12,000		6,100	12,300	12,300	12,300	
6+12+12+18		6,000	12,000	12,000	18,000		6,100	12,300	12,300	18,400	
6+12+12+24		6,000	12,000	12,000	24,000		6,100	12,300	12,300	24,500	
6+12+12+30		6,000	12,000	12,000	30,000		6,100	12,300	12,300	30,600	
6+12+18+18		6,000	12,000	18,000	18,000		6,100	12,300	18,400	18,400	
6+12+18+24		6,000	12,000	18,000	24,000		6,100	12,300	18,400	24,500	
6+18+18+18		6,000	18,000	18,000	18,000		6,100	18,400	18,400	18,400	
9+9+9+9		9,000	9,000	9,000	9,000		9,200	9,200	9,200	9,200	
9+9+9+12		9,000	9,000	9,000	12,000		9,200	9,200	9,200	12,300	
9+9+9+18	9,000	9,000	9,000	18,000		9,200	9,200	9,200	18,400		
9+9+9+24	9,000	9,000	9,000	24,000		9,200	9,200	9,200	24,500		
9+9+9+30	9,000	9,000	9,000	30,000		9,200	9,200	9,200	30,600		
9+9+9+36	9,000	9,000	9,000	36,000		9,200	9,200	9,200	36,800		
9+9+12+12	9,000	9,000	12,000	12,000		9,200	9,200	12,300	12,300		
9+9+12+18	9,000	9,000	12,000	18,000		9,200	9,200	12,300	18,400		
9+9+12+24	9,000	9,000	12,000	24,000		9,200	9,200	12,300	24,500		
9+9+12+30	9,000	9,000	12,000	30,000		9,200	9,200	12,300	30,600		
9+9+18+18	9,000	9,000	18,000	18,000		9,200	9,200	18,400	18,400		
9+9+18+24	9,000	9,000	18,000	24,000		9,200	9,200	18,400	24,500		
9+12+12+12	9,000	12,000	12,000	12,000		9,200	12,300	12,300	12,300		
9+12+12+18	9,000	12,000	12,000	18,000		9,200	12,300	12,300	18,400		
9+12+12+24	9,000	12,000	12,000	24,000		9,200	12,300	12,300	24,500		
9+12+18+18	9,000	12,000	18,000	18,000		9,200	12,300	18,400	18,400		
9+18+18+18	9,000	18,000	18,000	18,000		9,200	18,400	18,400	18,400		
12+12+12+12	12,000	12,000	12,000	12,000		12,300	12,300	12,300	12,300		
12+12+12+18	12,000	12,000	12,000	18,000		12,300	12,300	12,300	18,400		
12+12+12+24	12,000	12,000	12,000	24,000		12,300	12,300	12,300	24,500		
12+12+18+18	12,000	12,000	18,000	18,000		12,300	12,300	18,400	18,400		

	NO. ZONES	COOLING CAPACITY (BTU/H)					HEATING CAPACITY (BTU/H)				
		ZONE 1	ZONE 2	ZONE 3	ZONE 4	ZONE 5	ZONE 1	ZONE 2	ZONE 3	ZONE 4	ZONE 5
6+6+6+6+6	5-Zone	6,400	6,400	6,400	6,400	6,400	6,500	6,500	6,500	6,500	6,500
6+6+6+6+9		6,000	6,000	6,000	6,000	9,000	6,100	6,100	6,100	6,100	9,200
6+6+6+6+12		6,000	6,000	6,000	6,000	12,000	6,100	6,100	6,100	6,100	12,300
6+6+6+6+18		6,000	6,000	6,000	6,000	18,000	6,100	6,100	6,100	6,100	18,400
6+6+6+6+24		6,000	6,000	6,000	6,000	24,000	6,100	6,100	6,100	6,100	24,500
6+6+6+6+30		6,000	6,000	6,000	6,000	30,000	6,100	6,100	6,100	6,100	30,600
6+6+6+6+36		6,000	6,000	6,000	6,000	36,000	6,100	6,100	6,100	6,100	36,800
6+6+6+9+9		6,000	6,000	6,000	9,000	9,000	6,100	6,100	6,100	9,200	9,200
6+6+6+9+12		6,000	6,000	6,000	9,000	12,000	6,100	6,100	6,100	9,200	12,300
6+6+6+9+18		6,000	6,000	6,000	9,000	18,000	6,100	6,100	6,100	9,200	18,400
6+6+6+9+24		6,000	6,000	6,000	9,000	24,000	6,100	6,100	6,100	9,200	24,500
6+6+6+9+30		6,000	6,000	6,000	9,000	30,000	6,100	6,100	6,100	9,200	30,600
6+6+6+9+36		6,000	6,000	6,000	9,000	36,000	6,100	6,100	6,100	9,200	36,800
6+6+6+12+12		6,000	6,000	6,000	12,000	12,000	6,100	6,100	6,100	12,300	12,300
6+6+6+12+18		6,000	6,000	6,000	12,000	18,000	6,100	6,100	6,100	12,300	18,400
6+6+6+12+24		6,000	6,000	6,000	12,000	24,000	6,100	6,100	6,100	12,300	24,500
6+6+6+12+30		6,000	6,000	6,000	12,000	30,000	6,100	6,100	6,100	12,300	30,600
6+6+6+18+18		6,000	6,000	6,000	18,000	18,000	6,100	6,100	6,100	18,400	18,400
6+6+6+18+24		6,000	6,000	6,000	18,000	24,000	6,100	6,100	6,100	18,400	24,500
6+6+9+9+9		6,000	6,000	9,000	9,000	9,000	6,100	6,100	9,200	9,200	9,200
6+6+9+9+12		6,000	6,000	9,000	9,000	12,000	6,100	6,100	9,200	9,200	12,300
6+6+9+9+18		6,000	6,000	9,000	9,000	18,000	6,100	6,100	9,200	9,200	18,400
6+6+9+9+24		6,000	6,000	9,000	9,000	24,000	6,100	6,100	9,200	9,200	24,500
6+6+9+9+30		6,000	6,000	9,000	9,000	30,000	6,100	6,100	9,200	9,200	30,600
6+6+9+12+12		6,000	6,000	9,000	12,000	12,000	6,100	6,100	9,200	12,300	12,300
6+6+9+12+18		6,000	6,000	9,000	12,000	18,000	6,100	6,100	9,200	12,300	18,400
6+6+9+12+24		6,000	6,000	9,000	12,000	24,000	6,100	6,100	9,200	12,300	24,500
6+6+9+12+30		6,000	6,000	9,000	12,000	30,000	6,100	6,100	9,200	12,300	30,600
6+6+9+18+18		6,000	6,000	9,000	18,000	18,000	6,100	6,100	9,200	18,400	18,400
6+6+9+18+24		6,000	6,000	9,000	18,000	24,000	6,100	6,100	9,200	18,400	24,500
6+6+12+12+12		6,000	6,000	12,000	12,000	12,000	6,100	6,100	12,300	12,300	12,300
6+6+12+12+18		6,000	6,000	12,000	12,000	18,000	6,100	6,100	12,300	12,300	18,400
6+6+12+12+24		6,000	6,000	12,000	12,000	24,000	6,100	6,100	12,300	12,300	24,500
6+6+12+18+18		6,000	6,000	12,000	18,000	18,000	6,100	6,100	12,300	18,400	18,400
6+9+9+9+9		6,000	9,000	9,000	9,000	9,000	6,100	9,200	9,200	9,200	9,200
6+9+9+9+12		6,000	9,000	9,000	9,000	12,000	6,100	9,200	9,200	9,200	12,300
6+9+9+9+18		6,000	9,000	9,000	9,000	18,000	6,100	9,200	9,200	9,200	18,400
6+9+9+9+24		6,000	9,000	9,000	9,000	24,000	6,100	9,200	9,200	9,200	24,500
6+9+9+9+30		6,000	9,000	9,000	9,000	30,000	6,100	9,200	9,200	9,200	30,600
6+9+9+12+12		6,000	9,000	9,000	12,000	12,000	6,100	9,200	9,200	12,300	12,300
6+9+9+12+18		6,000	9,000	9,000	12,000	18,000	6,100	9,200	9,200	12,300	18,400
6+9+9+12+24		6,000	9,000	9,000	12,000	24,000	6,100	9,200	9,200	12,300	24,500
6+9+9+18+18	6,000	9,000	9,000	18,000	18,000	6,100	9,200	9,200	18,400	18,400	
6+9+12+12+12	6,000	9,000	12,000	12,000	12,000	6,100	9,200	12,300	12,300	12,300	
6+9+12+12+18	6,000	9,000	12,000	12,000	18,000	6,100	9,200	12,300	12,300	18,400	
6+9+12+12+24	6,000	9,000	12,000	12,000	24,000	6,100	9,200	12,300	12,300	24,500	
6+9+12+18+18	6,000	9,000	12,000	18,000	18,000	6,100	9,200	12,300	18,400	18,400	
6+12+12+12+12	6,000	12,000	12,000	12,000	12,000	6,100	12,300	12,300	12,300	12,300	
6+12+12+12+18	6,000	12,000	12,000	12,000	18,000	6,100	12,300	12,300	12,300	18,400	
9+9+9+9+9	9,000	9,000	9,000	9,000	9,000	9,200	9,200	9,200	9,200	9,200	
9+9+9+9+12	9,000	9,000	9,000	9,000	12,000	9,200	9,200	9,200	9,200	12,300	
9+9+9+9+18	9,000	9,000	9,000	9,000	18,000	9,200	9,200	9,200	9,200	18,400	
9+9+9+9+24	9,000	9,000	9,000	9,000	24,000	9,200	9,200	9,200	9,200	24,500	
9+9+9+12+12	9,000	9,000	9,000	12,000	12,000	9,200	9,200	9,200	12,300	12,300	
9+9+9+12+18	9,000	9,000	9,000	12,000	18,000	9,200	9,200	9,200	12,300	18,400	
9+9+9+18+18	9,000	9,000	9,000	18,000	18,000	9,200	9,200	9,200	18,400	18,400	
9+9+12+12+12	9,000	9,000	12,000	12,000	12,000	9,200	9,200	12,300	12,300	12,300	
9+9+12+12+18	9,000	9,000	12,000	12,000	18,000	9,200	9,200	12,300	12,300	18,400	
9+12+12+12+12	9,000	12,000	12,000	12,000	12,000	9,200	12,300	12,300	12,300	12,300	
9+12+12+12+18	9,000	12,000	12,000	12,000	18,000	9,200	12,300	12,300	12,300	18,400	
12+12+12+12+12	12,000	12,000	12,000	12,000	12,000	12,300	12,300	12,300	12,300	12,300	

UNIT MOUNTING (OUTDOOR)

Refer to the unit’s installation instructions for further details.

Support – A location which can bear the weight of outdoor unit.

See “” on page 9 for weights, and “DIMENSIONS” on page 5.

Unit Leveling – For reliable operation, units should be level in all planes.

Clearances – Minimum clearances (See Figs. 8 and 9 on page 9), must be provided for airflow. The outdoor units are designed for free-blow applications. Air inlets and outlets should not be restricted.

Unit location – A location which is convenient to installation and not exposed to strong wind.

NOTE: Do not install the indoor or outdoor units in a location with special environmental conditions. For those applications, contact your sales representative.

System Operating Conditions

	COOLING	HEATING
Outdoor DB	-22 / 122°F (30/ 50°C)	-22 / 75°F (-30 / 24°C)

Metering Devices

The outdoor unit has multiple electronic expansion valves to manage the refrigerant flow to the different indoor fan coils connected to that unit.

WIRING

All wires must be sized per NEC (National Electrical Code) or CEC (Canadian Electrical Code) and local codes. Use Electrical Data table MCA (minimum circuit amps) and MOCP (maximum over current protection) to correctly size the wires and the disconnect fuse or breakers respectively.

RECOMMENDED CONNECTION METHOD FOR POWER AND COMMUNICATION WIRING:

The main power is supplied to the outdoor unit. The field supplied 14/3 stranded wire with ground with a 600 volt insulation rating, power/ communication wiring from the outdoor unit to indoor unit consists of four (4) wires and provides the power for the indoor unit. Two wires are line voltage AC power, one is communication wiring (S) and the other is a ground wire. Wiring between indoor and outdoor unit is polarity sensitive. The use of BX wire is **NOT** recommended.

If installed in a high Electromagnetic field (EMF) area and communication issues exists, a 14/2 stranded shielded wire can be used to replace L2 and (S) between outdoor unit and indoor unit landing the shield onto ground in the outdoor unit only.

CABLE	CABLE SIZE	REMARKS
Connection Cable	14AWG	3 wire + Ground 1ϕ 208/230 V



WARNING

EQUIPMENT DAMAGE HAZARD

Failure to follow this caution may result in equipment damage or improper operation.
Wires should be sized based on NEC and local codes.



WARNING

EQUIPMENT DAMAGE HAZARD

Failure to follow this caution may result in equipment damage or improper operation.
Be sure to comply with local codes while running wire from the indoor unit to the outdoor unit.
Every wire must be connected firmly. Loose wiring may cause the terminal to overheat or result in unit malfunction. A fire hazard may also exist. Ensure all wiring is tightly connected.
No wire should touch the refrigerant tubing, compressor or any moving parts.
Disconnecting means must be provided and shall be located within sight and readily accessible from the air conditioner.
Connecting cable with conduit shall be routed through the hole in the conduit panel.

PIPING REQUIREMENTS

IMPORTANT: Both refrigerant lines must be insulated separately.

The minimum refrigerant line length between the indoor and outdoor units is 10 ft. (3 m). The following lengths are allowed. The following **Refrigerant Piping Table** lists the pipe sizes for the outdoor unit. For the indoor unit pipe sizes refer to the indoor unit installation instructions.

Refrigerant Piping:

Line sets to be sized based on the connection size of the indoor unit. Each pipe should be insulated individually.

38MGR SIZE		18K	24K HH	30K HH	36K	36K HH	48K	48K
		(208/230 V)						
Min. Piping Length per each indoor unit	ft. (m)	10 (3)						
Standard Piping Length per each indoor unit	ft. (m)	25 (7.5)						
Max. outdoor-indoor height difference (OU higher than IU)	ft. (m)	49(15)	49(15)	49(15)	49(15)	65(20)	65(20)	65(20)
Max. outdoor-indoor height difference (IU higher than OU)	ft. (m)	49(15)	49(15)	49(15)	49(15)	65(20)	65(20)	65(20)
Max. height different between indoor units	ft. (m)	32 (10)						
Max. Length per each indoor unit	ft. (m)	82 (25)	98 (30)	115(35)	115(35)	115(35)	115 (35)	115 (35)
Max. Piping Length with no additional refrigerant charge per System (Standard Piping length x No. of Zones)	ft. (m)	49 (15)	74 (22)	98 (30)	98 (30)	98 (30)	123 (37.5)	123 (37.5)
Total Maximum Piping Length per system	ft. (m)	131(40)	197(60)	262(80)	262(80)	262(80)	328(100)	328(100)
Additional refrigerant charge (between Standard – Max piping length)	Oz/ft (g/m)	0.16 (15)						
Number of IDU		2	3	4	4	4	5	5
Suction Pipe (size - connection type)	in	3/8*2	3/8*3	1/2 *1+ 3/8*3	1/2 *1+ 3/8*3	1/2 *2+ 3/8*2	1/2 *2+ 3/8*3	1/2 *2+ 3/8*3
	(mm)	9.52*2	9.52*3	12.7*1+9.52*3	12.7*1+9.52*3	12.7*2+9.52*2	12.7*2+9.52*3	12.7*2+9.52*3
Liquid Pipe (size - connection type)	in	1/4*2	1/4*3	1/4*4	1/4*4	1/4*4	1/4*5	1/4*5
	(mm)	6.35*2	6.35*3	6.35*4	6.35*4	6.35*4	6.35*5	6.35*5
Refrigerant Type Heat Pump Models Charge Amount		R410A						
	Lbs (kg)	4.08(1.85)	5.73(2.6)	8.38(3.8)	8.38(3.8)	10.14 (4.6)	10.14 (4.6)	10.14(4.6)

NOTE: For piping runs greater than the “Maximum Piping Length with no additional refrigerant charge per System”, see the Additional Refrigerant Charge note in the Long-Line Applications section.

General Guidelines:

- The outdoor units are shipped with a full charge of R-410A refrigerant. For runs over the Maximum Piping Length with no additional refrigerant charge per system, consult “Refrigerant Piping:” on page 130 for proper charge adjustments.
- Refrigerant lines should not be buried in the ground. If it is necessary to bury the lines, do not bury more than 36 inches (914 mm). Provide a minimum of 6 inch (152 mm) vertical rise to the service valves to prevent refrigerant migration.
- Both lines must be insulated. Use a minimum of ½-inch (12.7 mm) thick insulation. Closed-cell insulation is recommended in all long-line applications.
- Special consideration should be given to isolating the interconnecting tubing from the building structure. Isolate the tubing so vibration or noise does not transmit into the structure.

Long-Line Applications

- No change in line sizing is required.

NOTE: Multi-zone outdoor unit compatibility can support up to two (2) AHUs per unit. The combination of up to two (2) AHUs extends to only the 18K and 24K AHU models. In the case that two (2) AHUs are connected to any multi-zone system, no other units may be connected to the outdoor unit, regardless of remaining ports or capacity availability. See “LEGEND” on page 30 for unit selection guide criteria. When the 30K or 36K AHU is utilized in multi-zone 48K ODU applications, 500 grams (17.6 oz) of additional refrigerant charge must be added to the system.

NOTE: If the calculation results in a negative number, no additional refrigerant is required.

Drain Connections

Install drains that meet the local sanitation codes.

Control System

The **38MG(R/H)B** unit is equipped with a microprocessor control to operate the system and give optimum levels of comfort and operating efficiency. There are microprocessor boards and thermistors located in both the indoor and outdoor units. The thermistors monitor the system operation and control the operating mode.

Sequence of Operation

NOTE: Simultaneous heating and cooling is not allowed.

The **HEATING** mode is the system's primary mode and the mode controls the operation mode for the remaining indoor units connected to the same outdoor unit. If any unit in the system is set to the **HEATING** mode, the system switches to heat. If any unit is in the **COOLING** mode, while any unit in the system is set to the **HEATING** mode, the units set to **COOLING** enter the **CONFLICT** mode and an error message appears on the units in the **COOLING** mode.

All units must be set to the **COOLING** or **FAN** mode for the system to cool. When a unit is set to the **COOL**, **HEAT** or **DRY** mode, the electronic expansion valve is initialized first (closed) and then it is opened to a preset position.

SUPERHEAT heating for each fan coil (the ones that are energized) is monitored and the position of the electronic expansion valve is adjusted to ensure that each fan coil gets the appropriate amount of refrigerant to maintain the required superheat. In the **COOLING** mode, after the set point is satisfied, the electronic expansion valve remains open for a specified time to ensure the system pressures equalize. In the **HEATING** mode, after the set point is satisfied, the electronic expansion valve remains open to ensure proper oil flow back and to maintain a low pressure.

When the system is set for the **COOL**, **HEAT** or **DRY** mode, the compressor speed is varied by comparing the indoor air temperature with the set point and continuously adjusting the compressor speed (to keep the compressor running as long as possible) in an effort to maintain the greatest comfort possible.

The indoor fan can run in either the **MANUAL** or **AUTO** mode. When the fan runs in the **AUTO** mode, the speed is determined by comparing the room temperature to the set point.

For High Walls and Floor Console Fan Coils, when the set point is satisfied, the fan speed is reduced. For Cassettes and Ducted Fan Coils when the set point is satisfied, the fan continues to run. The Fan Coils are not de-energized.

When the unit goes through the defrost cycle, the indoor fans are de-energized and the refrigerant is circulated through all the fan coils (even if they are off or were in the standby mode before the defrost cycle) to maximize the heat transfer surface area available for defrost operation.



WARNING

AUTO mode is recommended for use on single zone applications **ONLY**. **AUTO** mode is **NOT** recommended for use on multi-zone applications.

Using **AUTO** changeover on multi-zone applications could set an indoor unit to **Standby** mode, indicated as (--) on the display, and turn off the indoor unit until all the indoor units are on the same mode (**COOLING** or **HEATING**).

HEATING mode is the priority for the system. Simultaneous **HEATING** and **COOLING** is not allowed.

AIRFLOW DATA

UNIT SIZE	18R	24HH	30HH	36R	36HH	48R	48K
	(208/230V)						
OUTDOOR (CFM)	1765	2129	2147	2147	4500	4500	4500

SOUND PRESSURE

SYSTEM SIZE		18R	24HH	30HH	30R	36HH	48R	48K
		(208/230 V)						
Outdoor Sound Pressure Level	dB(A)	58.5	61.0	63.0	63.0	64.0	64.0	65.0
Outdoor Sound Power Level	dB(A)	67.0	68.0	70.5	70.5	72.0	72.0	73.0

SOUND POWER IN OCTAVE BANDS

	Frequency (Hz)	63	125	250	500	1000	2000	4000	8000
2 ZONE 18K (18R)	Cooling dB(A)	53.6	60.4	54.8	53.3	50	44.4	39.8	36.5
	Heating dB(A)	56.3	63.5	59.2	55.8	55	48.2	43.9	40.8
3 ZONE High Heat 24K (24HH)	Cooling dB(A)	59.2	60.6	58.3	52.9	53.5	48.2	44.7	38.5
	Heating dB(A)	60.6	61.8	60.1	57.1	55.9	52.3	48	43.3
4 ZONE High Heat 30K and Standard 36K (30HH and 36R)	Cooling dB(A)	60.8	62.7	59.5	55.8	54.2	50.1	46.9	40.7
	Heating dB(A)	63.9	64.2	63	57.9	57.6	53.5	50.9	45.1
4 ZONE High Heat 36K (36HH)	Cooling dB(A)	47.4	49.8	52.2	53.4	56.9	52.3	48.5	45.1
	Heating dB(A)	47.4	46.1	50.1	57.7	57.2	51.8	47.6	45.5
5 ZONE Standard 48K (48R)	Cooling dB(A)	43.7	49.9	49.2	53.9	57.3	51.9	46.8	42.6
	Heating dB(A)	49.2	48.2	48.5	53.4	58.3	53.2	47.8	43.7
5 ZONE High Heat 48K (48HH)	Cooling dB(A)	62.4	62.0	57.1	57.1	53.8	47.7	44	39.9
	Heating dB(A)	68.5	65.2	67.6	59.2	58.6	53.3	49.8	45.9

OUTDOOR UNIT SOUND PRESSURE TEST CONDITIONS

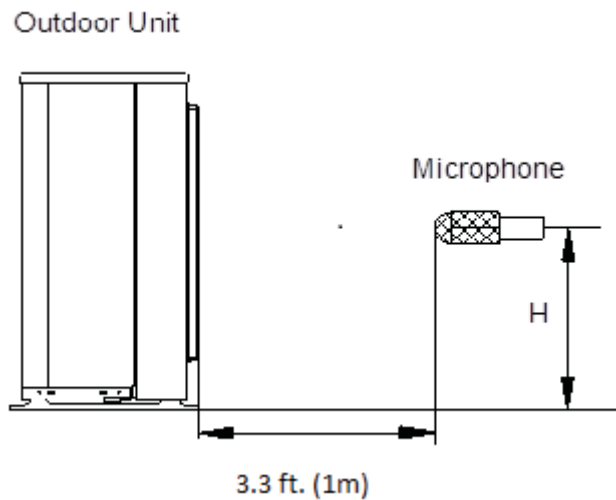


Fig. 10 — Outdoor Unit Sound Pressure Test Conditions

NOTE: $H = 0.5 \times$ Height of the outdoor unit.

	INDOOR CONDITION		OUTDOOR CONDITION	
	DB	WB	DB	WB
COOLING	80.6°F (27°C)	66.2°F (19°C)	95°F (35°C)	75.2°F (24°C)
HEATING	68°F (20°C)	59°F (15°C)	44.6°F (7°C)	42.8°F (6°C)

FAN AND MOTOR SPECIFICATIONS

38MG(R/H)		18R	24HH	30HH	36R	36HH	48R	48K	
(208/230 V)									
Outdoor Fan	Material	AS							
	Type	ZL-535*133*12-3KFN	ZL560*139*12-3KN	ZL560*139*12-3KN	ZL560*139*12-3KN	ZL554*148*12-3KFN	ZL554*148*12-3KFN	ZL554*148*12-3KFN	
	Diameter	inch 21(535)	22(560)	22(560)	22(560)	21.81(554)	21.81(554)	21.81(554)	
	Height	inch 5.24(133)	5.47(139)	5.47(139)	5.47(139)	5.83(148)	5.83(148)	5.83(148)	
Outdoor Fan Motor	Model	ZKFN-80-8-3	ZKFN-120-8-2	ZKFN-120-8-2	ZKFN-120-8-2	ZKFN-85-8-22-5	ZKFN-85-8-22-5	ZKFN-85-8-22-5	
	Volts	V	208/230						
	Phase		1						
	Hertz	Hz	60						
	FLA		1.0	1.7	1.0	1.0	2.5x2	2.5x2	2.5x2
	Rated HP	HP	0.1	0.16	0.16	0.16	0.11	0.11	0.11
	Output	W	80	120	120	120	85	85	85
	Type		DC						
	Insulation class		E						
	Safe class		IPX4						
	Input	W	88	156	156	156	108	108	108
	Range of current	Amps	0.73±10%	1.34±10%	1.34±10%	1.34±10%	0.92±10%	0.92±10%	0.92±10%
	Rated current	Amps	0.73	1.34	1.34	1.34	0.92	0.92	0.92
	Speed	rev/min	850~200	900~150	1000~150	1000~150	870~300	870~300	850~320
Rated RPM	rev/min	750.0	850.0	900.0	900.0	800.0	800.0	800.0	
Max. input	W	120.0	170.0	170.0	170.0	126.0	126.0	126.0	

ELECTRICAL DATA

Outdoor Unit		18R	24HH	30HH	36R	36HH	48R	48K
Minimum Circuit Ampacity (MCA)	A	18	24.5	25	25	40	40	40
Maximum Overcurrent Protection Ampacity (MOCP)	A	25	30	40	40	60	60	60
Voltage-Phase-Frequency		208/230-1-60						
Max – Min Voltage Range	V	253-187						
COOLING								
Running current	(A)	6.2	11	13.6	18	12	17.4	18
Power consumption	(W)	1355	2240	3125	3125	2660	3840	4150
Power factor	(%)	0.971	0.954	0.972	0.972	0.96	0.96	0.984
HEATING								
Running current range	(A)	6.3	10.5	13	13	12.7	17.7	17.8
Power consumption	(W)	1420	2200	3000	3000	2800	3900	4000
Power factor	(%)	0.971	0.954	0.972	0.972	0.96	0.96	0.984

*Permissible limits of the voltage range at which the unit operates satisfactorily.

LEGEND

FLA - Full Load Amps
MCA - Minimum Circuit Amps
MOCP - Maximum Over Current Protection
RLA - Rated Load Amps

WIRING DIAGRAMS

18K - 2 Zone (18R) Standard

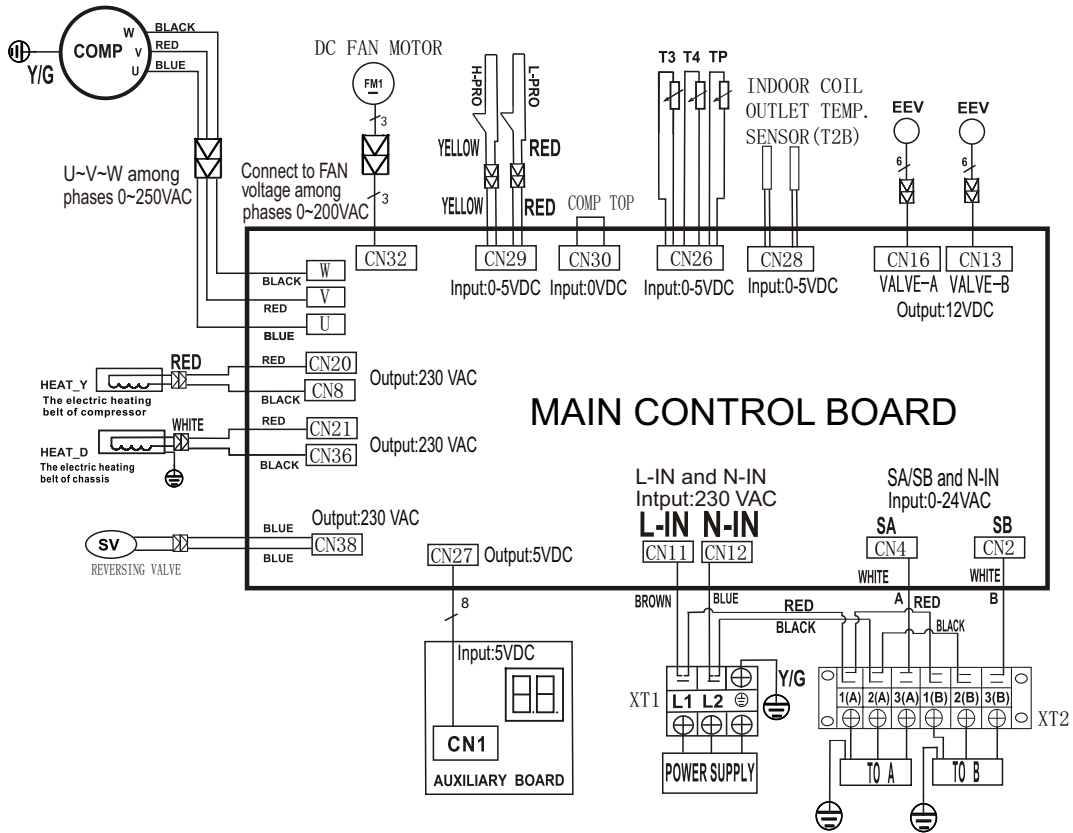


Fig. 11 — Wiring Diagram 18K - 2 Zone (18R) Standard

CODE	PART NAME
COMP	Compressor
EEV	Electric Expansion Valve
FM1	DC Fan Motor
HEAT_D	Chassis Heater
HEAT_Y	Crankcase Heater
H-PRO	High Pressure Switch
L-PRO	Low Pressure Switch
SV	Reversing Valve
TP	Comp. Discharge Temperature Sensor
T3	Outdoor Coil Temperature Sensor
T4	Outdoor Ambient Temperature Sensor
COMP TOP	Compressor TOP OLP Temperature Sensor

WIRING DIAGRAMS (CONT)

24K - 3 Zone Max (24HH)

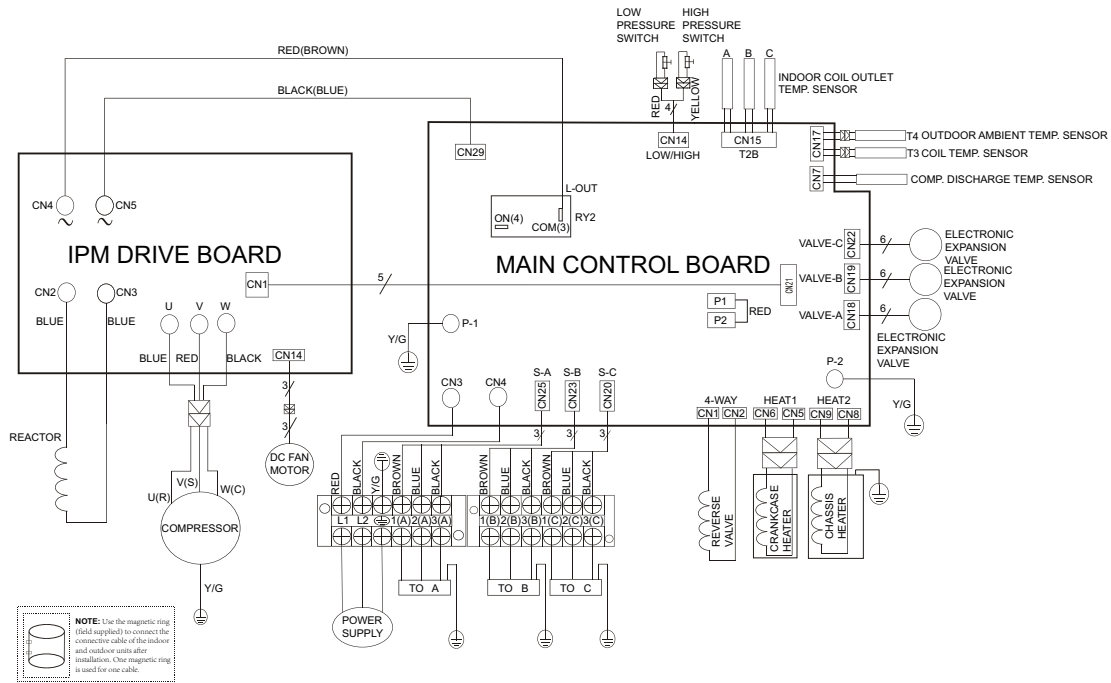


Fig. 12 — Wiring Diagram 24K - 3 Zone Max (24HH)

CODE	PART NAME
CN3~CN4	Input: 230VAC High voltage
CN20,CN23,CN25	Output: Pin1 (Connection of the high voltage)---"S" Pin2~Pin3 (230VAC High voltage)---"L1&L2"
P1~P2	Output: Short Circuit with Red Wire
CN1~CN2	Output: 230VAC High voltage --- 4 Way Valve
CN5~CN6	Output: 230VAC High voltage --- Compressor Crankcase Heater
CN8~CN9	Output: 230VAC High voltage --- Chassis Crankcase Heater
P-1~P-2	Ground wire
CN18,CN19,CN22	Output: Pin1-Pin4: Pulse waveform (0-12VDC), Pin5, Pin6 (12VDC)---EEV
CN7	Input: Pin1 (0-5VDC), Pin2 (5VDC) --- Discharge Sensor
CN17	Input: Pin3, Pin4 (5VDC), Pin2 (0VDC), Pin1, Pin5 (0-5VDC)-OUD Conditioner Temperature
CN15	Input: Pin1, Pin3, Pin5 (5VDC) Pin2, Pin4, Pin6 (0-5VDC) --- IDU Pipe Temp
CN14	Input: Pin2, Pin4 (0VDC), Pin1, Pin3 (0-5VDC) --- H/L Pressure Switch
CN12	Input: Pin1 (5VDC), Pin2 (0-5VDC) --- Compressor Temp
CN29~L-OUT	Output: 230VAC High voltage to IPM Board
CN21	Connect to the IPM BOARD

CODE	OUTDOOR UNIT IPM DRIVE BOARD
CN4~CN5	Input: 230VAC High voltage - from main board
CN2~CN3	Output: Connection of the REACTOR
U~V~W	Connect to compressor voltage among phases 0~200VAC
CN14	Connect to the DC FAN
CN1	Connect to the MAIN BOARD

WIRING DIAGRAMS (CONT)

30 HH (High Heat) 36R (Regular) - 4 Zone Max

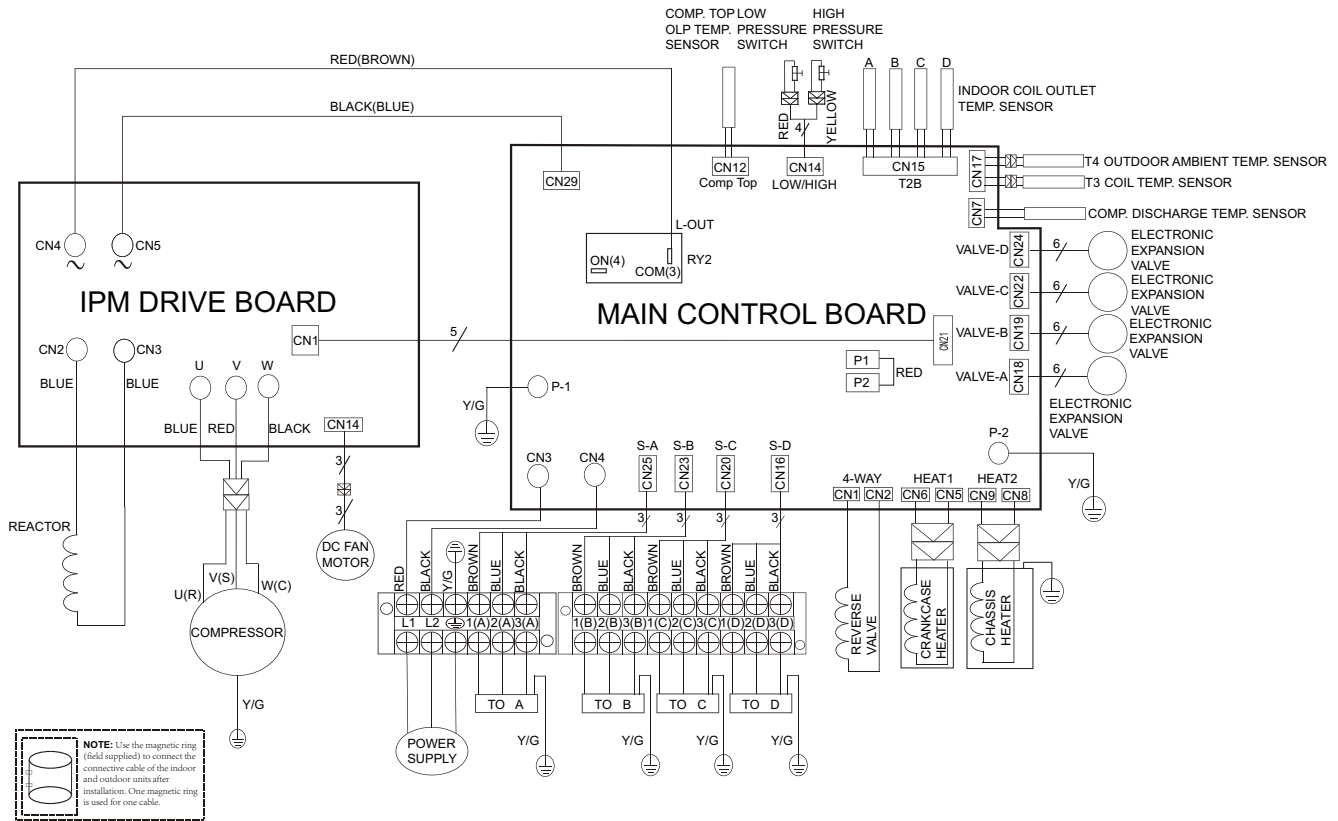


Fig. 13 — Wiring Diagram 30 HH (High Heat) 36R (Regular) - 4 Zone Max

CODE	PART NAME
CN3~CN4	Input: 230VAC High voltage
CN16~CN20 CN23, CN25	Output: Pin1(Connection of the high voltage)---"S" Pin2~Pin3(230VAC High Voltage)---"L1&L2"
P-1~P2	Output: Short Circuit with RED WIRE
CN1~CN2	Output: 230VAC High voltage---4-WAY VALVE
CN5~CN6	Output: 230VAC High voltage -- COMPRESSOR CRANKCASE HEATER
CN8~CN9	Output: 230VAC High voltage -- CHASIS CRANKCASE HEATER
P-1~P-2	Connection to the earth
CN18,CN19, CN22,CN24	Output: Pin-Pin4:Pulse waveform (0-12VDC),Pin5,Pin6(12VDC)--EEV
CN7	Input: Pin1 (0-5VDC)---Discharge Sensor
CN17	Input:Pin3,Pin4(5VDC),Pin5(0-5VDC)---OUD Cond. Temperature
CN15	Input:Pin1,Pin3,Pin5,Pin7(5VDC)Pin2,Pin4,Pin6Pin8,(0-5VDC)---IDO PIPE TEMP
CN14	Input:Pin2,Pin4(0-5VDC,Pin1,Pin3(0VDC)---H/L Pressure Switch
CN12	Input:Pin1(5VDC),Pin2(0-5VDC)---Compressor Temp.
CN29-L-OUT	Output:230VAC High Voltage--To IPM Board
CN21	Connect to IPM Board

CODE	OUTDOOR UNIT PFC AND IPM BOARD
CN4~CN5	Input: 230VAC High voltage---From Main Board
CN2~CN3	Output: Connection to the REACTOR
U~V~W	Connect to compressor voltage among phases 0~200VAC
CN14	Connection the DC FAN
CN1	Connection to MAIN BOARD

WIRING DIAGRAMS (CONT)

36K - 4 Zone Max

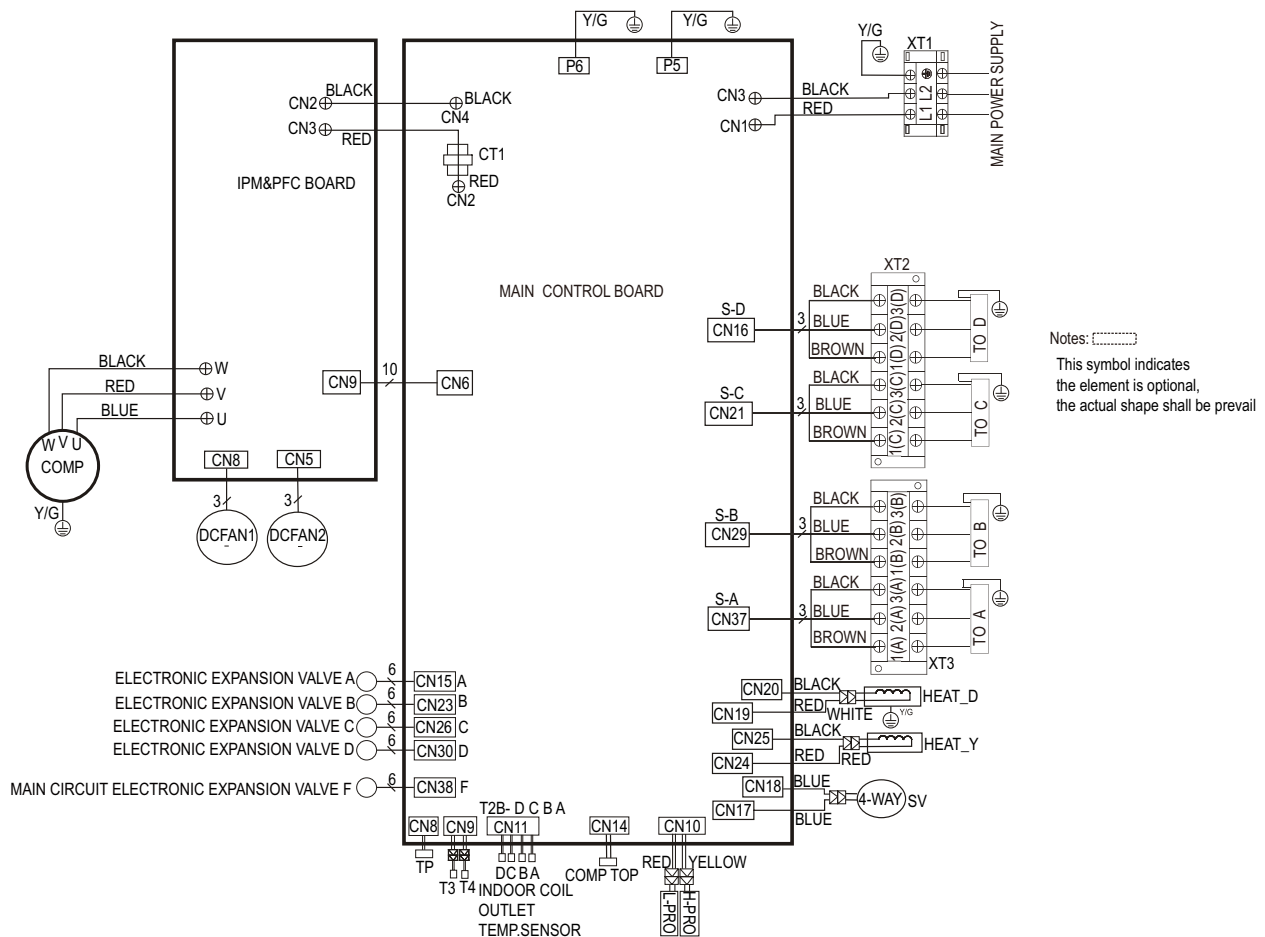


Fig. 14 — Wiring Diagram 36K - 4 Zone Max

CODE	OUTDOOR UNIT MAIN BOARD SIZE 36K
CN1~ CN3	Input: 230VAC High voltage
CN16, CN21, CN29, CN37	Output: Pin1(Connection of the high voltage) "S" Pin2~ Pin3 (230VAC High voltage)"L1 & L2"
P5, P6	Connection to the earth
CN17~ CN18	Output: 230VAC High voltage --- REVERSING VALVE
CN24~CN25	Output: 230VAC High voltage --- CRANKCASE HEATER
CN19~ CN20	Output: 230VAC High voltage --- CHASSIS HEATER
CN11	Input: Pin1, Pin3, Pin5, Pin7, Pin9 (5VDC) Pin2, Pin4, Pin6, Pin8, Pin10 (0-5VDC) indoor coil outlet TEMP. SENSOR
CN8	Input: Pin1 (0-5VDC), Pin2 (5VDC)
CN9	Input: Pin3, Pin4 (5VDC), Pin2 (0VDC), Pin1, Pin5 (0-5VDC)
CN15, CN23, CN26, CN30, CN33, CN38	Output: Pin1-Pin4: Pulse waveform (0-12VDC), Pin5, Pin6 (12VDC) to EEV
CN6	Communication: Pin1-Pin6: Pulse waveform (0-5VDC), Pin7, Pin9 (0VDC) Pin8 (0-5VDC), Pin10 (5VDC)--to IPM & PFC board
CN2~ CN4	Output: 230VAC High voltage to IPM & PFC Board
CN10	Input: Pin2, Pin4 (0VDC), Pin1, Pin3 (0-5VDC)--H/L Pressure switch
CN14	Input: Pin1(5VDC), Pin2(0-5VDC)--COMP. TOP OLP TEMP SENSOR

CODE	OUTDOOR UNIT PFC AND IPM BOARD SIZE 36K
CN2~CN3	Input 230VAC High voltage
CN9	Communication: Pin1-Pin6: Pulse waveform (0-5VDC), Pin7, Pin9 (0VDC), Pin10 (5VDC) to outdoor main control board
U~V~W	Connect to compressor voltage among phases 0~250VAC
CN8, CN5	Connect to DCFAN voltage among phases 0~200VAC

WIRING DIAGRAM (CONT)

48K - 5 Zone Max

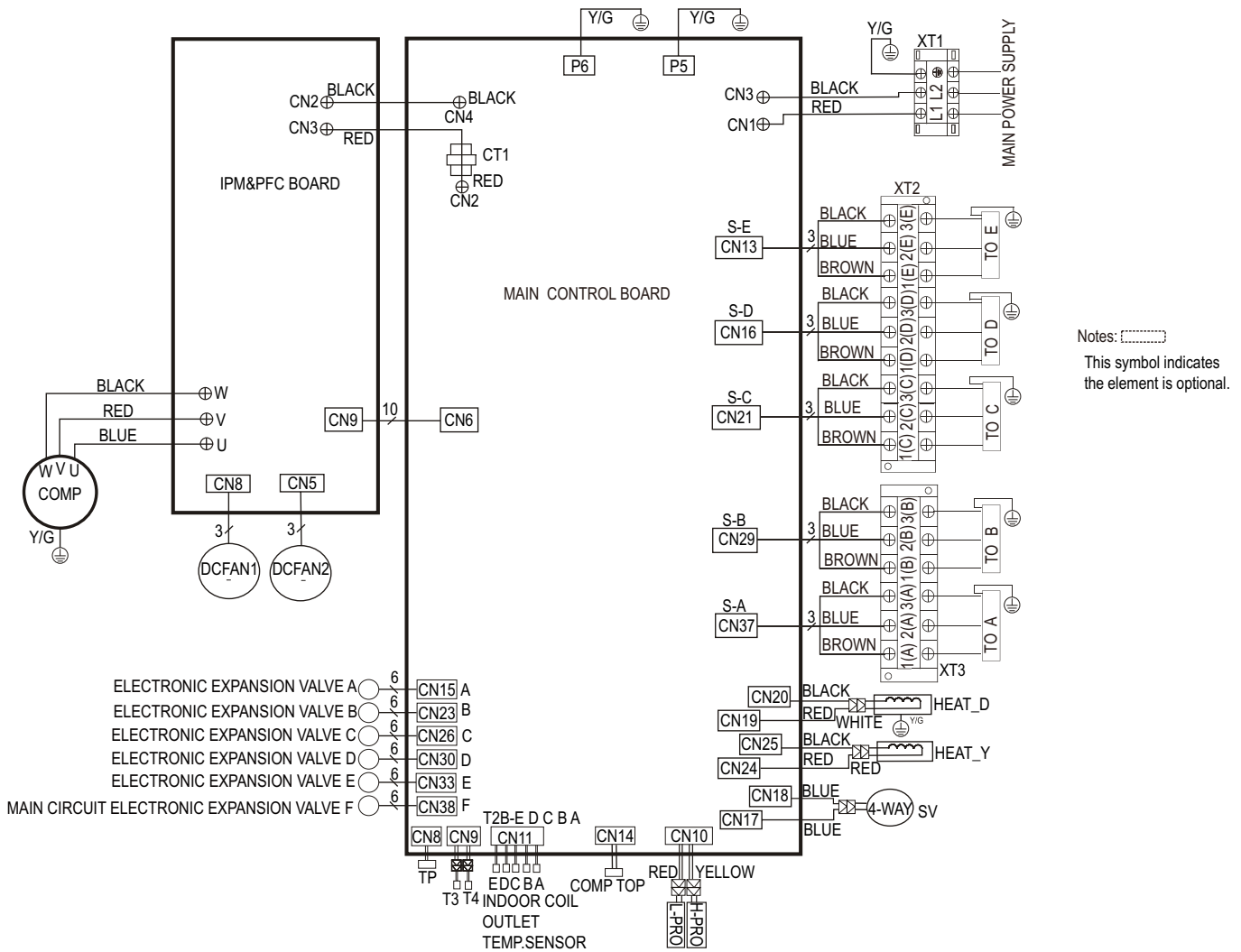


Fig. 15 — Wiring Diagram 48K - 5 Zone Max

CODE	OUTDOOR UNIT MAIN BOARD SIZE 48K
CN1~CN3	Input: 230VAC High voltage
CN13,CN16,CN21,CN29,CN37	Output: Pin1 (Connection of the high voltage) "S" Pin2~Pin3 (230VAC High voltage) "L1 & L2"
P5,P6,P9	Connection to the earth
CN17~CN18	Output: 230VAC High voltage --- REVERSING VALUE
CN24~CN25	Output: 230VAC High voltage --- CRANKCASE HEATER
CN19~CN20	Output: 230VAC High voltage --- CHASSIS HEATER
CN11	Input: Pin1, Pin3, Pin5, Pin7, Pin9 (5VDC) Pin2, Pin4, Pin6, Pin8, Pin10 (0-5VDC) indoor coil outlet sensor
CN8	Input: Pin1 (0-5VDC), Pin2 (5VDC)
CN9	Input: Pin3, Pin4 (5VDC), Pin2 (0VDC), Pin1, Pin5 (0-5VDC)
CN15,CN23,CN26 CN30,CN33,CN38	Output: Pin1-Pin4: Pulse waveform (0-12VDC), Pin5, Pin6 (12VDC) to EEV
CN6	Communication: Pin1-Pin6: Pulse waveform (0-5VDC), Pin7, Pin9 (0VDC) Pin8 (0-5VDC), Pin10 (5VDC)--to IPM & PFC board
CN2~CN4	Output: 230VAC High voltage to IPM & PFC Board
CN10	Input: Pin2, Pin4 (0VDC), Pin1, Pin3 (0-5VDC)--H/L Pressure switch
CN14	Input:Pin1(5VDC),Pin2(0-4VDC)--COMP.TOP OLP TEMP.SENSOR

WIRING DIAGRAM (CONT)

48K - 5 Zone Max

CODE	OUTDOOR UNIT PFC AND IPM BOARD SIZE 48K
CN2~CN6	Output: 224-380VDC High voltage
CN9	Communication: Pin1-Pin6: Pulse waveform (0-5VDC), Pin7, Pin9 (0VDC), Pin8 (0-5VDC), Pin10 (5VDC) to the main board
U~V~W	Connect to compressor voltage among phases 0~250VAC
CN8 CN5	Connect to DC FAN voltage among phases 0-200VAC

CODE	PART NAME
COMP	COMPRESSOR
EEV	ELECTRONIC EXPANSION VALVE
DCFAN1, DCFAN2	OUTDOOR DC FAN MOTOR
HEAT_D	CHASSIS HEATER
HEAT_Y	CRANKCASE HEATER
H-PRO	HIGH PRESSURE SWITCH
L-PRO	LOW PRESSURE SWITCH
SV	REVERSING VALVE
TP	COMP. DISCHARGE TEMP. SENSOR
T3	COIL DISCHARGE SENSOR
T4	OUTDOOR AMBIENT TEMP. SENSOR
COMP TOP	COMP.TOP OLP TEMP. SENSOR
T2B	INDOOR COIL OUTLET TEMP SENSOR

WIRING DIAGRAMS (CONT)

Size 48K HH

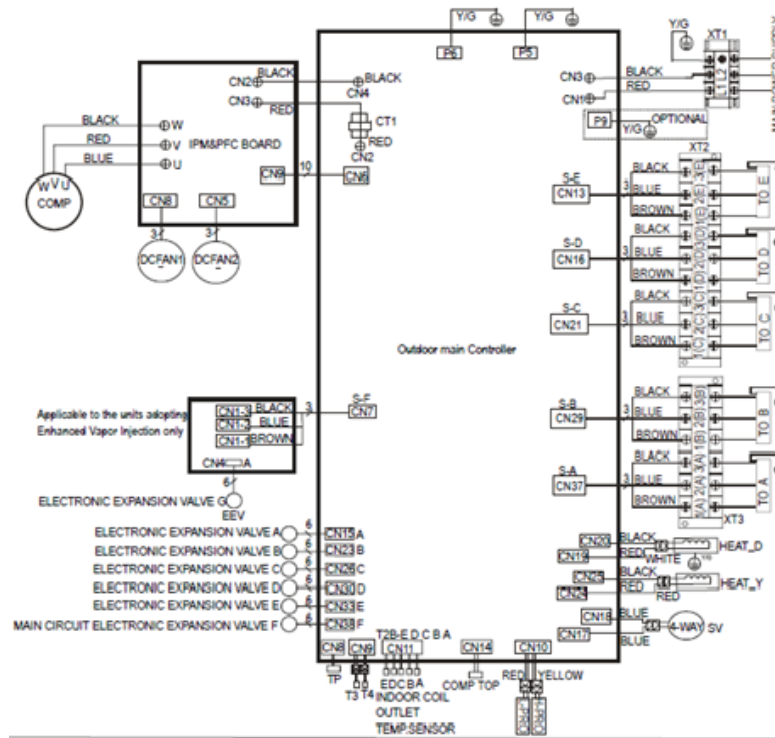


Fig. 16 — Wiring Diagram 48K - 5 Zone Max

CODE	OUTDOOR UNIT MAIN BOARD SIZE 48K
CN1~CN3	Input: 230VAC High voltage
CN13,CN16,CN21,CN29,CN37	Output: Pin1 (Connection of the high voltage) "S" Pin2~Pin3 (230VAC High voltage) "L1 & L2"
P5,P6,P9	Connection to the earth
CN17~CN18	Output: 230VAC High voltage --- REVERSING VALUE
CN24~CN25	Output: 230VAC High voltage --- CRANKCASE HEATER
CN19~CN20	Output: 230VAC High voltage --- CHASSIS HEATER
CN11	Input: Pin1, Pin3, Pin5, Pin7, Pin9 (5VDC) Pin2, Pin4, Pin6, Pin8, Pin10 (0-5VDC) indoor coil outlet sensor
CN8	Input: Pin1 (0-5VDC), Pin2 (5VDC)
CN9	Input: Pin3, Pin4 (5VDC), Pin2 (0VDC), Pin1, Pin5 (0-5VDC)
CN15,CN23,CN26 CN30,CN33,CN38	Output: Pin1-Pin4: Pulse waveform (0-12VDC), Pin5, Pin6 (12VDC) to EEV
CN6	Communication: Pin1-Pin6: Pulse waveform (0-5VDC), Pin7, Pin9 (0VDC) Pin8 (0-5VDC), Pin10 (5VDC)--to IPM & PFC board
CN2~CN4	Output: 230VAC High voltage to IPM & PFC Board
CN10	Input: Pin2, Pin4 (0VDC), Pin1, Pin3 (0-5VDC)--H/L Pressure switch
CN14	Input: Pin1(5VDC), Pin2(0-4VDC)--COMP.TOP OLP TEMP.SENSOR
CN7	Output Pin1(Connector of the high voltage) "S" Pin2-Pin3(230VAC) High voltage) "L1&L2"

CODE	OUTDOOR UNIT PFC AND IPM BOARD SIZE 48K
CN2~CN3	Input: 224-380VAC High voltage
CN9	Communication: Pin1-Pin6: Pulse waveform (0-5VDC), Pin7, Pin9 (0VDC), Pin8 (0-5VDC), Pin10 (5VDC) to the main board
U~V~W	Connect to compressor voltage among phases 0~250VAC
CN8 CN5	Connect to DC FAN voltage among phases 0-200VAC

CODE	OUTDOOR UNIT
CN1-1-CN1-2	Input: 230VAC High voltage
CN1-3	Input: (Connection of the high voltage) "S"
CN4	Output: Pin1, Pin4 Pulse waveform(0-12VDC), Pin5, Pin6(12VDC) to EEV

WIRING DIAGRAMS (CONT)

Size 48K HH

CODE	PART NAME
COMP	COMPRESSOR
CT1	AC CURRENT DETECTOR
EEV	ELECTRONIC EXPANSION VALVE
DC FAN1	OUTDOOR DC FAN MOTOR
HEAT_D	CHASSIS HEATER
HEAT_Y	CRANKCASE HEATER
H-PRO	HIGH PRESSURE SWITCH
L-PRO	LOW PRESSURE SWITCH
SV	REVERSING VALVE
TP	COMP. DISCHARGE TEMP. SENSOR
COMP TOP	COMP. TOP OLP TEMP SENSOR
T2B	INDOOR COIL OUTLET TEMP SENSOR

MULTI-ZONE HEAT PUMP HORIZONTAL DISCHARGE OUTDOOR DUCTLESS SYSTEM

Size Range: 1 1/2, 2, 2 1/2, 3 and 4 Ton Nominal Cooling and Heating Capacity
Model Number: **DLCMRBH and DLCMHBH**

Part 1 - General

1.01 System Description

- a. Outdoor air-cooled split system compressor sections suitable for on-the-ground, rooftop, wall hung or balcony mounting. Units consist of a variable speed rotary compressor, an air-cooled coil, propeller-type draw-through outdoor fan, reversing valve, accumulator, electronic expansion valves, multiple service valves, and controls that allow multiple indoor units to be connected to the outdoor unit. Units discharge horizontally as shown on the contract drawings. Units function as the outdoor component of an air-to-air heat pump system.
- b. Units are designed for use in a refrigeration circuit matched to two, three, four, or five multi style heat pump fan coil units.

1.02 Agency Listings

- a. Unit construction complies with ANSI/ASHRAE 15, latest revision, and with the NEC.
- b. Units are evaluated in accordance with the UL standard 1995.
- c. Units are listed in CEC directory.
- d. Unit cabinet is capable of withstanding the 500-hour salt spray test per Federal Test Standard no. 141 (method 6061).
- e. Air-cooled condenser coils are leak tested at 550 psig.

1.03 Delivery, Storage, And Handling

Units are shipped in one piece and are stored and handled per the manufacturer's recommendations.

1.04 Warranty (For Inclusion By Specifying Engineer)

Part 2 - Products

2.01 Equipment

1. General:

Factory assembled, single piece, air-cooled outdoor unit. Contained within the enclosure are the factory wiring, piping, controls, and the compressor.

2. Unit Cabinet:

- a. The unit cabinet is constructed of galvanized steel, bonderized and coated with baked-enamel finish on the inside and outside.
- b. The unit access panel is removable and provides full access to the compressor, fan, and the control components.
- c. The outdoor compartment is isolated and has an acoustic lining to assure a quiet operation.

3. Fans:

- a. The outdoor fans are direct-drive propeller type, and discharge air horizontally. The fan draws air through the outdoor coil.
- b. Outdoor fan motors are multi-speed, totally-enclosed, single phase motors with permanently lubricated ball bearings. The motor is protected by internal thermal overload protection.
- c. The shaft has an inherent corrosion resistance.
- d. Outdoor fan openings are equipped with a metal/mesh PVC coated protection grille over the fan.

4. Compressor:

- a. The compressor is the fully hermetic variable speed rotary type.
- b. The compressor is inverter driven.
- c. The compressor is equipped with an oil system, operating oil charge, and motor.
- d. The motor is suitable for operation in a refrigerant and oil atmosphere.
- e. The compressor assembly is installed on rubber vibration isolators.
- f. The inverter and compressor are protected against over temperature and over current.

5. Outdoor Coil:

The coil is constructed of aluminum golden hydrophilic pre-coated fins mechanically bonded to seamless copper tubes, which are cleaned, dehydrated and sealed.

6. Refrigerant Components:

Refrigerant circuit components include multiple brass external liquid line service valves with a service gauge connection port, multiple suction line service valves with a service gage connection port, accumulator, reversing valve, and electronic expansion valves.

7. Safeties:

Operating safeties are factory selected, assembled, and tested. The minimum functions include the following:

- a. Compressor discharge over temperature protection.
- b. System low voltage protection.
- c. Compressor overload protection.
- d. Compressor over current protection.
- e. IPM module protection.

8. Electrical Requirements:

- a. Units operate on single-phase, 60 Hz power at 208/230v.
- b. The unit electrical power is a single point connection.
- c. All power and control wiring must be installed per NEC and all local electrical codes.
- d. Units have multiple terminal blocks to connect to multiple indoor units.